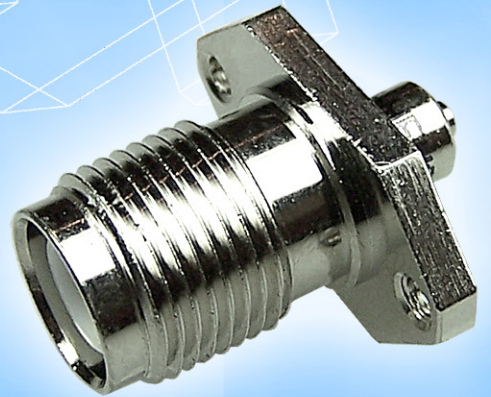
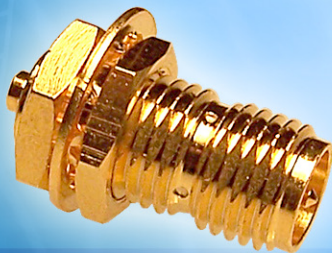


AMC



AMC Connectors

AMC Solutions

Description

Amphenol RF manufactures a family of Amphenol Micro Coaxial (AMC) connectors and cable assemblies for use in applications with 50 Ω impedance requirements. AMC connectors are low profile (2.5 mm off the board) and offer an extremely small board footprint (3mm x 3mm).

Features/Benefits

- Easy snap-on/off mating
- Ultra low-profile (2.5mm mating height)
- Small foot print (3mm x 3mm)
- 100% Compatible with Hirose U.FI series
- Right angle plugs are pre-installed on 1.13mm, 1.32 mm or 1.37 mm coaxial cable and tested prior to shipment.

Applications

- Wireless Internet (WiFi, WiMax, EvDO/EvDV Solutions)
- Wireless Infrastructure (Cellular Base Stations)
- RFID
- Bluetooth
- Inventory/Barcode Scanners
- Handheld Devices

AMC Specifications

Electrical

| | |
|--------------------|---|
| Impedance | 50 Ω |
| Frequency range | DC - 6 GHz |
| VSWR | 1.3 max. @ DC - 3 GHz 1.4 max. @ 3 - 6 GHz |
| Contact resistance | center contact: ≤ 20 mΩ outer contact: ≤ 10 mΩ |

Mechanical

| | |
|-----------------------------------|-------------------|
| Mating | Snap-on coupling |
| Attachment method (inner / outer) | n/a |
| Center conductor cable affixment | n/a |
| Center contact retention force | 0.15 N |
| Durability (matings) | 30 cycles minimum |

Environmental

| | |
|-------------------|----------------|
| Temperature range | -40°C to +90°C |
|-------------------|----------------|

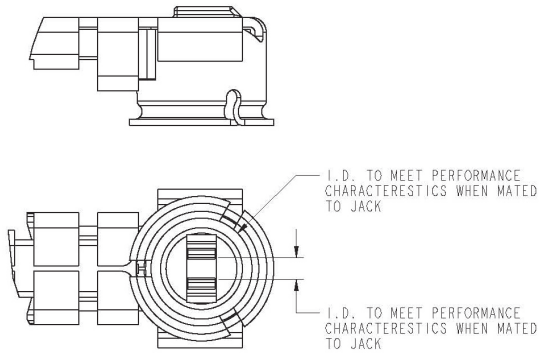
Material

| | |
|-----------------------------|---|
| Body and outer contacts | Phosphor bronze, silver plated 0.08u min. |
| Male contact | Brass, gold plated 0.2u min. |
| Female contact | Phosphor bronze, gold plated 0.2u min. |
| Insulator | PBT or LCP |
| Cable jacket and dielectric | FEP |

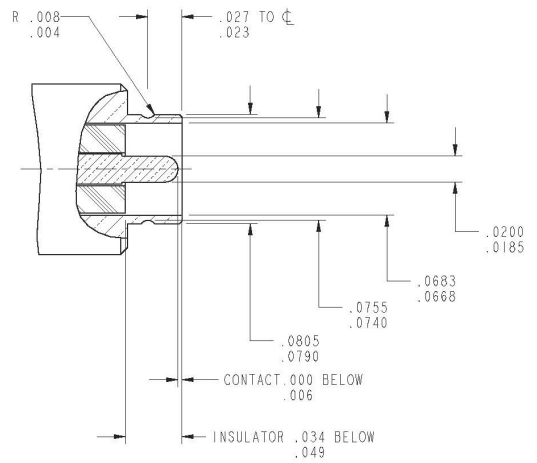
Custom Right Angle Plug Jumpers also available! For your convenience, please use the numbering system below to create your own part number:

| | |
|------------------------------------|-------------------------------|
| A-1PAVWWW-XXXYZ | XXX: Cable length in mm |
| A: Series Name (A=AMC) | Y: Cable color: |
| 1PA: Plug | • G – gray |
| V: Connector Orientation | • B – black |
| • (dash) – Both the Same Direction | • W – white |
| • C – 90 deg. Clockwise Offset | Z: Number of terminated ends: |
| • F – 180 deg. Offset | • 1 |
| • R – 270 deg. Offset | • 2 |
| WWW: Cable diameter (OD) | |
| • 113 – 1.13mm | |
| • 132 – 1.32mm (double shielded) | |
| • 137 – 1.37mm | |

Plug



Jack



Cable Plugs

| Cable Group | Part Number | Plating | | | Cable Length (mm) | Color |
|-------------|-----------------|---------|---------|-----------|-------------------|-------|
| | | Body | Contact | Insulator | | |
| P2 | A-1PA-113-300B2 | Silver | Gold | PBT | 300 | Black |
| P2 | A-1PA-113-100G2 | Silver | Gold | PBT | 100 | Gray |
| P2 | A-1PA-113-125W2 | Silver | Gold | PBT | 125 | White |
| P2 | A-1PA-113-150B2 | Silver | Gold | PBT | 150 | Black |
| P2 | A-1PA-113-180B2 | Silver | Gold | PBT | 180 | Black |
| P3 | A-1PA-132-100B2 | Silver | Gold | PBT | 100 | Black |
| P3 | A-1PA-132-125G2 | Silver | Gold | PBT | 125 | Gray |
| P3 | A-1PA-132-150W2 | Silver | Gold | PBT | 150 | White |
| P3 | A-1PA-132-180B2 | Silver | Gold | PBT | 180 | Black |
| P3 | A-1PA-132-300G2 | Silver | Gold | PBT | 300 | Gray |
| P4 | A-1PA-137-100W2 | Silver | Gold | PBT | 100 | White |
| P4 | A-1PA-137-125B2 | Silver | Gold | PBT | 125 | Black |
| P4 | A-1PA-137-150G2 | Silver | Gold | PBT | 150 | Gray |
| P4 | A-1PA-137-180W2 | Silver | Gold | PBT | 180 | White |
| P4 | A-1PA-137-300B2 | Silver | Gold | PBT | 300 | Black |



Printed Circuit Board Jacks

| Part Number | Plating | | | Packaging |
|-------------|---------|---------|-----------|------------------------------------|
| | Body | Contact | Insulator | |
| A-1JB | Silver | Gold | LCP | Tape & Reel, 2500 pieces per reel |
| A-1JB-100 | Silver | Gold | LCP | Tape & Reel, 100 pieces on a strip |
| A-1JB-250 | Silver | Gold | LCP | Tape & Reel, 250 pieces on a strip |
| A-1JB-500 | Silver | Gold | LCP | Tape & Reel, 500 pieces on a strip |



Cable Adapters

| Series | Cable Group | Part Number | Plating | | | Description |
|--------|-------------|-------------|---------|---------|-----------|--|
| | | | Body | Contact | Insulator | |
| SMA | P2 | 901-10107 | Gold | Gold | PTFE | Straight Plug |
| MMCX | P2 | 908-43001 | Gold | Gold | PTFE | Right Angle Plug |
| MMCX | P2 | 908-41000 | Gold | Gold | PTFE | Straight Plug |
| SMA | P2 | 901-10129 | Gold | Gold | PTFE | Straight Bulkhead Jack, Reverse Polarity |
| SMA | P2 | 901-10119 | Gold | Gold | PTFE | Straight Bulkhead Jack |



| Cable Group | Cable Type |
|-------------|--|
| A | RG-178, 196 |
| B | RG-174, 188A, 316, Belden 7805 |
| B1 | RG-179, 187, Belden 9221 |
| B2 | RD-188/U, RD-316/U |
| B3 | RD-179/U, AT&T 19224L2 |
| C | RG-58, 58A, 58C, 141, 303, LMR195, Belden 7806A, 9907 |
| C1 | RG-55, 142, 223, 400 |
| C2 | LMR200, Belden 7807A |
| D | RG-58/U Plenum, Thinnet, RG-122/U, Belden 88240, 89907 |
| E | RG-59, 62, 140, 210, Belden 8241, 8263, 8279, 9209 |
| E1 | RG-59/U 20 AWG center conductor, Belden 1426A, 1505A, 9100, 9278 |
| E2 | RD-59/U, Belden 8281, 9141, 9231 |
| E3 | RG-59/U Quad Shield, Belden 1152A |
| F | RG-59/U Plenum, Belden 1560A, 9259, 82259, 89259, 88241 |
| F1 | RG-59/U Plenum 20 AWG center conductor, Belden 82108 |
| G1 | RG-6, 143, 212 |
| G2 | 8X, LMR240, Belden 7808A, 9258 |
| G3 | LMR400, Belden 7810A, 8214, 9913 |
| G4 | RG-8, 8A, 9, 87A, 213, 214, 225, 393 |
| G5 | RD-6/U |
| H | RG-11 |
| H1 | Belden 1694A, 9248 |
| H2 | Belden 1859A, 7731, 8213, 9292 |
| H3 | RG-54A/U |
| I | AT&T 734A, Belden 1505A |
| I2 | AT&T 735A, Belden 735A1 |
| J | Quad 59 headend cable |
| K | LMR600 |
| K2 | Belden 1695A |
| K3 | RG-122, 180, 195, Belden 1855, 1865A, 8218 |
| L | .141 semi-rigid, RG-402/U |
| L2 | .085, .086, .087 semi-rigid, RG-405/U |
| L3 | .250 semi-rigid |
| L4 | .047 semi-rigid, Belden 1674 |
| M | 1/2 inch annular corrugated |
| M1 | 1 1/4 inch annular corrugated |
| M2 | 1 5/8 inch annular corrugated |
| M3 | 7/8 inch annular corrugated |
| N | 1/4 Helical |
| N1 | 3/8 Helical |
| N2 | 1/2 Helical |
| N3 | 7/8 inch SFC |
| P1 | .81 mm OD micro-cable |
| P2 | 1.13 mm OD micro-cable, TCB-068 |
| P3 | 1.32 mm OD micro-cable |
| P4 | 1.37 mm OD micro-cable |

Mouser Electronics

Authorized Distributor

Click to View Pricing, Inventory, Delivery & Lifecycle Information:

[Amphenol:](#)

[31-6109](#) [A-1PA-132-100W2](#) [A-1PA-132-125B2](#) [A-1PA-132-150G2](#) [A-1PA-132-180W2](#)



Компания «ЭлектроПласт» предлагает заключение долгосрочных отношений при поставках импортных электронных компонентов на взаимовыгодных условиях!

Наши преимущества:

- Оперативные поставки широкого спектра электронных компонентов отечественного и импортного производства напрямую от производителей и с крупнейших мировых складов;
- Поставка более 17-ти миллионов наименований электронных компонентов;
- Поставка сложных, дефицитных, либо снятых с производства позиций;
- Оперативные сроки поставки под заказ (от 5 рабочих дней);
- Экспресс доставка в любую точку России;
- Техническая поддержка проекта, помощь в подборе аналогов, поставка прототипов;
- Система менеджмента качества сертифицирована по Международному стандарту ISO 9001;
- Лицензия ФСБ на осуществление работ с использованием сведений, составляющих государственную тайну;
- Поставка специализированных компонентов (Xilinx, Altera, Analog Devices, Intersil, Interpoint, Microsemi, Aeroflex, Peregrine, Syfer, Eurofarad, Texas Instrument, Miteq, Cobham, E2V, MA-COM, Hittite, Mini-Circuits, General Dynamics и др.);

Помимо этого, одним из направлений компании «ЭлектроПласт» является направление «Источники питания». Мы предлагаем Вам помощь Конструкторского отдела:

- Подбор оптимального решения, техническое обоснование при выборе компонента;
- Подбор аналогов;
- Консультации по применению компонента;
- Поставка образцов и прототипов;
- Техническая поддержка проекта;
- Защита от снятия компонента с производства.



Как с нами связаться

Телефон: 8 (812) 309 58 32 (многоканальный)

Факс: 8 (812) 320-02-42

Электронная почта: org@eplast1.ru

Адрес: 198099, г. Санкт-Петербург, ул. Калинина, дом 2, корпус 4, литера А.