



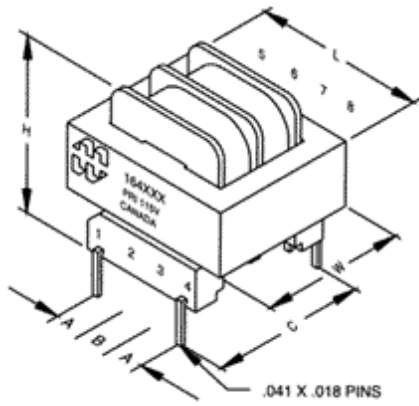
Quality Products. Service Excellence.

Low Voltage PCB Mount - Low Profile 162-164 Series

Features



- 20 output voltages to choose from (5 - 120VAC R.M.S.)
- Six VA size models available from - 1.1 to 36VA
- Both series operate on 50/60 Hz current
- Low profile, split bobbin design.
- Dual winding secondaries, non-concentrically wound
- Units are designed so that all windings must be used
- Low primary to secondary coupling - no electrostatic shield required.
- Choice of economical single primary 115V (164 series) or universal dual primary 115/230V (162 series) - either model 50/60 Hz operation.
- High insulation - Hipot of 2,500V RMS.
- Class B insulation - 130 degrees C.
- No mounting hardware required on 1.1 and 2.4 VA sizes, two hole mounting on 6, 12 and 20VA sizes, four hole mounting on 36VA size (mounting screws not provided). P.C. board mount with industry standard pin spacing.
- c UL us recognized



**Single Primary
164 Series**



**Dual Primary
162 Series**



| Part No | Part No | Size | Secondary (RMS) | |
|----------------|--------------|------|--------------------|-------------|
| Single Primary | Dual Primary | | Series | Parallel |
| 115V | 115/230V | VA | | |
| 164D10 | 162D10 | 1.1 | 10V C.T. @ .11A | 5V @ .22A |
| 164E10 | 162E10 | 2.4 | 10V C.T. @ .25A | 5V @ .5A |
| 164F10 | 162F10 | 6 | 10V C.T. @ .6A | 5V @ 1.2A |
| 164G10 | 162G10 | 12 | 10V C.T. @ 1.2A | 5V @ 2.4A |
| 164H10 | 162H10 | 20 | 10V C.T. @ 2A | 5V @ 4.0A |
| 164J10 | 162J10 | 36 | 10V C.T. @ 3.6A | 5V @ 7.2A |
| 164D12 | 162D12 | 1.1 | 12.6V C.T. @ .09A | 6.3V @ .18A |
| 164E12 | 162E12 | 2.4 | 12.6V C.T. @ .2A | 6.3V @ .4A |
| 164F12 | 162F12 | 6 | 12.6V C.T. @ .5A | 6.3V @ 1.0A |
| 164G12 | 162G12 | 12 | 12.6V C.T. @ 1.0A | 6.3V @ 2.0A |
| 164H12 | 162H12 | 20 | 12.6V C.T. @ 1.6A | 6.3V @ 3.2A |
| 164J12 | 162J12 | 36 | 12.6V C.T. @ 2.85A | 6.3V @ 5.7A |
| 164D16 | 162D16 | 1.1 | 16V C.T. @ .07A | 8V @ .14A |
| 164E16 | 162E16 | 2.4 | 16V C.T. @ .15A | 8V @ .3A |
| 164F16 | 162F16 | 6 | 16V C.T. @ .4A | 8V @ .8A |
| 164G16 | 162G16 | 12 | 16V C.T. @ .8A | 8V @ 1.6A |
| 164H16 | 162H16 | 20 | 16V C.T. @ 1.25A | 8V @ 2.5A |
| 164J16 | 162J16 | 36 | 16V C.T. @ 2.25A | 8V @ 4.5A |
| 164D20 | 162D20 | 1.1 | 20V C.T. @ .055A | 10V @ .11A |
| 164E20 | 162E20 | 2.4 | 20V C.T. @ .12A | 10V @ .24A |
| 164F20 | 162F20 | 6 | 20V C.T. @ .3A | 10V @ .6A |
| 164G20 | 162G20 | 12 | 20V C.T. @ .6A | 10V @ 1.2A |
| 164H20 | 162H20 | 20 | 20V C.T. @ 1A | 10V @ 2.0A |
| 164J20 | 162J20 | 36 | 20V C.T. @ 1.8A | 10V @ 3.6A |
| 164D24 | 162D24 | 1.1 | 24V C.T. @ .045A | 12V @ .09A |
| 164E24 | 162E24 | 2.4 | 24V C.T. @ .1A | 12V @ .2A |

| Part No Single Primary 115V | Part No Dual Primary 115/230V | Size VA | Series | Secondary (RMS) Parallel |
|-----------------------------------|-------------------------------------|------------|------------------|-----------------------------|
| 164F24 | 162F24 | 6 | 24V C.T. @ .25A | 12V @ .5A |
| 164G24 | 162G24 | 12 | 24V C.T. @ .5A | 12V @ 1.0A |
| 164H24 | 162H24 | 20 | 24V C.T. @ .8A | 12V @ 1.6A |
| 164J24 | 162J24 | 36 | 24V C.T. @ 1.5A | 12V @ 3.0A |
| 164D28 | 162D28 | 1.1 | 28V C.T. @ .04A | 14V @ .08A |
| 164E28 | 162E28 | 2.4 | 28V C.T. @ .085A | 14V @ .17A |
| 164F28 | 162F28 | 6 | 28V C.T. @ .2A | 14V @ .4A |
| 164G28 | 162G28 | 12 | 28V C.T. @ .42A | 14V @ .84A |
| 164H28 | 162H28 | 20 | 28V C.T. @ .7A | 14V @ 1.4A |
| 164J28 | 162J28 | 36 | 28V C.T. @ 1.3A | 14V @ 2.6A |
| 164D36 | 162D36 | 1.1 | 36V C.T. @ .03A | 18V @ .06A |
| 164E36 | 162E36 | 2.4 | 36V C.T. @ .065A | 18V @ .13A |
| 164F36 | 162F36 | 6 | 36V C.T. @ .17A | 18V @ .34A |
| 164G36 | 162G36 | 12 | 36V C.T. @ .35A | 18V @ .7A |
| 164H36 | 162H36 | 20 | 36V C.T. @ .55A | 18V @ 1.1A |
| 164J36 | 162J36 | 36 | 36V C.T. @ 1A | 18V @ 2.0A |
| 164D48 | 162D48 | 1.1 | 48V C.T. @ .023A | 24V @ .046A |
| 164E48 | 162E48 | 2.4 | 48V C.T. @ .05A | 24V @ .1A |
| 164F48 | 162F48 | 6 | 48V C.T. @ .125A | 24V @ .25A |
| 164G48 | 162G48 | 12 | 48V C.T. @ .25A | 24V @ .5A |
| 164H48 | 162H48 | 20 | 48V C.T. @ .4A | 24V @ .8A |
| 164J48 | 162J48 | 36 | 48V C.T. @ .75A | 24V @ 1.5A |
| 164D56 | 162D56 | 1.1 | 56V C.T. @ .02A | 28V @ .04A |
| 164E56 | 162E56 | 2.4 | 56V C.T. @ .045A | 28V @ .09A |
| 164F56 | 162F56 | 6 | 56V C.T. @ .11A | 28V @ .22A |
| 164G56 | 162G56 | 12 | 56V C.T. @ .22A | 28V @ .44A |
| 164H56 | 162H56 | 20 | 56V C.T. @ .35A | 28V @ .7A |
| 164J56 | 162J56 | 36 | 56V C.T. @ .65A | 28V @ 1.3A |
| 164D120 | 162D120 | 1.1 | 120V C.T. @ .01A | 60V @ .02A |
| 164E120 | 162E120 | 2.4 | 120V C.T. @ .02A | 60V @ .04A |
| 164F120 | 162F120 | 6 | 120V C.T. @ .05A | 60V @ .1A |
| 164G120 | 162G120 | 12 | 120V C.T. @ .1A | 60V @ .2A |
| 164H120 | 162H120 | 20 | 120V C.T. @ .16A | 60V @ .32A |
| 164J120 | 162J120 | 36 | 120V C.T. @ .3A | 60V @ .6A |

Mechanical & Schematic Data

| (VA) Size | Part Number Letter | Dimensions | | | | | | | | | | Mounting Screw | Weight lbs. |
|--------------|-----------------------|------------|------|-------|------|------|------|------|------|------|----|-------------------|----------------|
| | | L | W | H | A | B | C | M | N | P | | | |
| 1.1 | D | 1.38 | 1.13 | 15/16 | 0.25 | 0.25 | 1.2 | - | - | - | - | 0.17 | |
| 2.4 | E | 1.38 | 1.13 | 1.19 | 0.25 | 0.25 | 1.2 | - | - | - | - | 0.25 | |
| 6 | F | 1.63 | 1.31 | 1.31 | 0.25 | 0.35 | 1.28 | 1.06 | - | - | #4 | 0.44 | |
| 12 | G | 1.88 | 1.56 | 1.50 | 0.30 | 0.40 | 1.41 | 1.25 | - | - | #4 | 0.7 | |
| 20 | H | 2.25 | 1.88 | 1.44 | 0.30 | 0.40 | 1.6 | 1.5 | - | - | #4 | 0.8 | |
| 36 | J | 2.63 | 2.19 | 1.56 | 0.40 | 0.40 | 1.85 | - | 1.75 | 2.19 | #6 | 1.1 | |

Data subject to change without notice

© 2020. Hammond Manufacturing Ltd. All rights reserved.



Компания «ЭлектроПласт» предлагает заключение долгосрочных отношений при поставках импортных электронных компонентов на взаимовыгодных условиях!

Наши преимущества:

- Оперативные поставки широкого спектра электронных компонентов отечественного и импортного производства напрямую от производителей и с крупнейших мировых складов;
- Поставка более 17-ти миллионов наименований электронных компонентов;
- Поставка сложных, дефицитных, либо снятых с производства позиций;
- Оперативные сроки поставки под заказ (от 5 рабочих дней);
- Экспресс доставка в любую точку России;
- Техническая поддержка проекта, помощь в подборе аналогов, поставка прототипов;
- Система менеджмента качества сертифицирована по Международному стандарту ISO 9001;
- Лицензия ФСБ на осуществление работ с использованием сведений, составляющих государственную тайну;
- Поставка специализированных компонентов (Xilinx, Altera, Analog Devices, Intersil, Interpoint, Microsemi, Aeroflex, Peregrine, Syfer, Eurofarad, Texas Instrument, Miteq, Cobham, E2V, MA-COM, Hittite, Mini-Circuits, General Dynamics и др.);

Помимо этого, одним из направлений компании «ЭлектроПласт» является направление «Источники питания». Мы предлагаем Вам помощь Конструкторского отдела:

- Подбор оптимального решения, техническое обоснование при выборе компонента;
- Подбор аналогов;
- Консультации по применению компонента;
- Поставка образцов и прототипов;
- Техническая поддержка проекта;
- Защита от снятия компонента с производства.



Как с нами связаться

Телефон: 8 (812) 309 58 32 (многоканальный)

Факс: 8 (812) 320-02-42

Электронная почта: org@eplast1.ru

Адрес: 198099, г. Санкт-Петербург, ул. Калинина, дом 2, корпус 4, литера А.