

**1. Scope:****1.1 Contents**

This specification covers the requirements for product performance, test methods and quality assurance provisions of FBIS-2 Connector.

Applicable product descriptions and part numbers are as shown in Appendix 2.

**2. Applicable Documents:**

The following documents form a part of this specification to the extent specified herein. In the event of conflict between the requirements of this specification and the product drawing, the product drawing shall take precedence. In the event of conflict between the requirements of this specification and the referenced documents, this specification shall take precedence.

**2.1 AMP Specifications :**

- A.109-5000 Test Specification,  
General Requirements for Test Methods.
- B.501-61056 Test Report:

**2.2 Commercial Standards and Specifications:**

- A. MIL-STD-202: Test Methods for Electronic and  
Electrical Component Parts.
- B.EIA 364: Test Specification

### 3. Requirements

#### 3.1 Design and Construction

Product shall be of the design, construction and physical dimensions specified on the applicable product drawing.

#### 3.2 Materials

##### A. Contact

- Material: Copper Alloy
- Finish: Nickel-under plated all over.  
Gold plated at contact area.  
Gold flash plated at soldering area.

##### B. Housing

Thermoplastic Molding Compound

Color: Black, UL94V-0 / UL94HB

##### C. Solder Peg

- Material: Copper Alloy
- Finish: Nickel-under plated all over.  
Tin plated all over.

#### 3.3 Ratings

A. Voltage Rating: 30V DC

B. Current Rating: 1.5 A /Contact

C. Temperature Rating :  $-40^{\circ}\text{C}$  to  $+85^{\circ}\text{C}$

High limit temperature includes raised temperature by operation.

D. Keeping Temperature :  $-10^{\circ}\text{C}$  to  $+50^{\circ}\text{C}$

#### 3.4 Performance Requirements and Test Descriptions

The product shall be designed to meet the electrical, mechanical and environmental performance requirements specified in Fig. 1. All tests shall be performed in the room temperature, unless otherwise specified.

**3.5 Test Requirements and Procedures Summary**

Para.	Test Items	Requirements	Procedures
3.5.1	Examination of Product	Meets requirements of product drawing.	Visual inspection No physical damage
<b>Electrical Requirements</b>			
3.5.2	Termination Resistance (Low Level)	30 mΩ Max. (Initial) Δ R 10mΩ Max.(Final)	<ul style="list-style-type: none"> <li>• Subject mated contacts assembled in housing to 20 mV Max. open circuit at 100 mA.</li> <li>• As shown in Fig.2</li> <li>• EIA 364-23</li> </ul>
3.5.3	Dielectric withstanding Voltage (DWV)	There shall be no evidence of arc-over, insulation breakdown or leakage current in excess of 1mA	<ul style="list-style-type: none"> <li>• 500Vrms at 60Hz, between terminals and terminals to case</li> <li>• 60 seconds.</li> <li>• The connector shall be mounted but not soldered to P.C board</li> <li>• The voltage shall be applied across a minimum of 50% of each of the adjacent and opposing contacts per connector</li> <li>• EIA 364-20</li> </ul>
3.5.4	Insulation Resistance (I.R)	The insulation resistance of mated connectors shall not be less than 500MΩ	<ul style="list-style-type: none"> <li>• 100V DC</li> <li>• 2 minutes</li> <li>• The connector shall be mated but not soldered to P.C board</li> <li>• The insulation resistance shall be measured between a minimum of 50% of each of the adjacent and opposing contacts per connector</li> <li>• EIA 364-21B</li> </ul>
3.5.5	Temperature Rising	30°C Max.	<ul style="list-style-type: none"> <li>• 1.5 Amps RMS continues</li> <li>• 3.5Amps RMS over any 2 second time period</li> <li>• Measure temperature rising by Energized current</li> </ul>
<b>Mechanical Requirements</b>			
3.5.6	Mechanical Shock	No electrical discontinuity greater than 25 μ sec. shall occur	<ul style="list-style-type: none"> <li>• 100g's,6ms duration</li> <li>• 1/2 sine pulse</li> <li>• 3 shocks in each direction</li> <li>• 3 mutually perpend, planes 18 shocks total</li> <li>• EIA 364-27</li> </ul>
3.5.7	Vibration	No electrical discontinuity greater than 25 μ sec. shall occur	<ul style="list-style-type: none"> <li>• Random Vibration</li> <li>• 3 mutually perpend. Planes</li> <li>• 15g peak</li> <li>• 10-2000Hz, 0.4g2/Hz</li> <li>• 20min per plane</li> <li>• EIA 364-28</li> </ul>

Fig. 1 (CONT.)

Para.	Test Items	Requirements	Procedures
3.5.8	Insertion Force (Mating Force)	1Pos.: 1 N Max.	<ul style="list-style-type: none"> <li>• Operation Speed: 100mm/min.</li> <li>• Measure the force required to mate connectors</li> <li>• EIA 364-13</li> </ul>
3.5.9	Withdrawal Force (Un-mating Force)	1Pos.: 0.1 N Min.	<ul style="list-style-type: none"> <li>• Operation Speed: 100mm/min.</li> <li>• Measure the force required to unmate connectors</li> <li>• EIA 364-13</li> </ul>
3.5.10	Durability (Automatic Operation)	No contact crack allowed	<ul style="list-style-type: none"> <li>• Operation Speed: 600cycles/hour Max.</li> <li>• Number of Cycles: 1000 cycles</li> <li>• As shown in Fig.3-1, 3-2</li> <li>• EIA 364-9</li> </ul>
3.5.11	Manual Durability	No contact crack allowed	<ul style="list-style-type: none"> <li>• Number of Cycles: 1000 cycles</li> <li>• As shown in Fig.3-1, 3-2</li> <li>• EIA 364-9</li> </ul>
<b>Environmental Requirements</b>			
3.5.12	Thermal Shock	No physical damage allowed	<ul style="list-style-type: none"> <li>• Mated connector,</li> <li>• -55°C/30min. 105°C/30min.</li> <li>Make this a cycle,</li> <li>repeat 5 cycles.</li> <li>• 5min(max.)transition to 105°C,</li> <li>• 5min(max.)transition to -55°C</li> <li>• EIA 364-32</li> </ul>
3.5.13	Cyclic Humidity	No physical damage allowed	<ul style="list-style-type: none"> <li>• Mated connector,</li> <li>• 25°C±3°C at 80%±3% RH and</li> <li>65°C±3°C at 50%±3% RH.</li> <li>24cycles</li> <li>• Ramp times should be 0.5 hour and dwell</li> <li>times should be 1.0hour.</li> <li>Dwell times start when the</li> <li>temperature and humidity have stabilized</li> <li>within the specified levels.</li> <li>• EIA 364—31</li> </ul>
3.5.14	Temperature Life (Heat Aging)	No physical damage allowed	<ul style="list-style-type: none"> <li>• Mated connector</li> <li>• 85°C for 120 hours</li> <li>• EIA 364-32</li> </ul>
3.5.15	Salt Spray	No corrosion that damages function of connector allowed	<ul style="list-style-type: none"> <li>• Mated connectors with</li> <li>5% , 35°C concentration for</li> <li>96hours</li> <li>• EIA 364-26</li> </ul>
3.5.16	Resistance to Reflow Heat	No physical damage allowed	<ul style="list-style-type: none"> <li>• Temperature profile;</li> <li>IPC/JEDEC J-STD-020D or latest revision</li> <li>level</li> </ul>

Fig. 1 (End)

**3.5 Product Qualification Test Sequence**

Test Examination	Test Group						
	1	2	3	4	5	6	7
	Test Flow (a)						
Examination of Product	1,9	1,14	1,10	1,8	1,6	1,10	1,4
Resistance to Reflow heat	2	2	2		2	2	2
Low Level Contact resistance(LLCR)	3,6	5,9, 11,13	5,7		3,5	5,7	
Dielectric Withstanding Voltage(DWV)				2,6			
Insulation Resistance(I.R)				3,7			
Temperature Rising							3
Mechanical Shock	4						
Vibration	5						
Insertion(Mating) Force	7	3,7	3,8			3,8	
Withdrawal (Un-mating) Force	8	4,8	4,9			4,9	
Durability (Automatic Operation)		6					
Manual Durability			6				
Thermal Shock		10		4			
Cyclic Humidity		12		5			
Temperature Life (Heat Aging)						6	
Salt Spray					4		

Appendix 1

(a) Numbers indicate sequence in which the tests are performed.

The applicable product descriptions and part numbers are as shown in Appendix.2.

Product Part No.	Description
1554829-3	FLOATING BATTERY INTERCONNECTION SYSTEMS RECEPTACLE ASSEMBLY
2134167-1	FBIS-II PLUG ASSEMBLY 4 POS H TYPE

Appendix 2

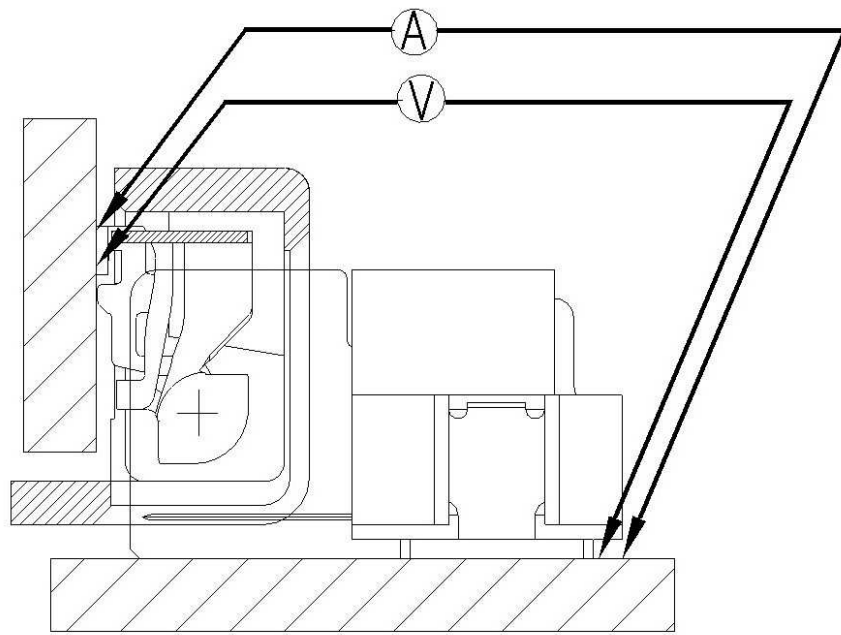


Fig.2 Termination Resistance Measuring Points

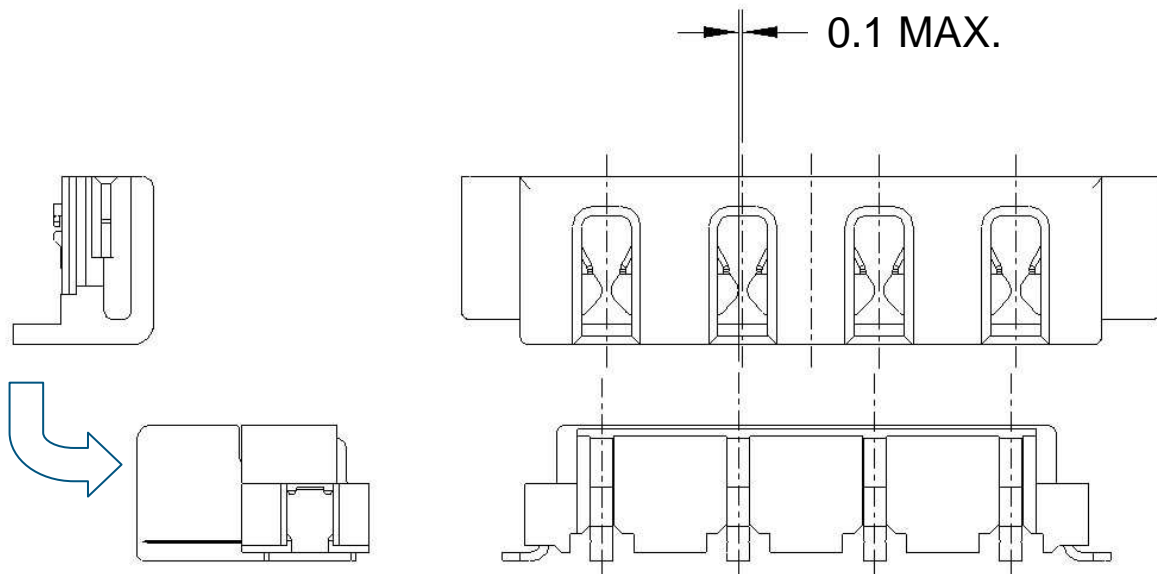


Fig.3-1 Displacement allowance for durability test

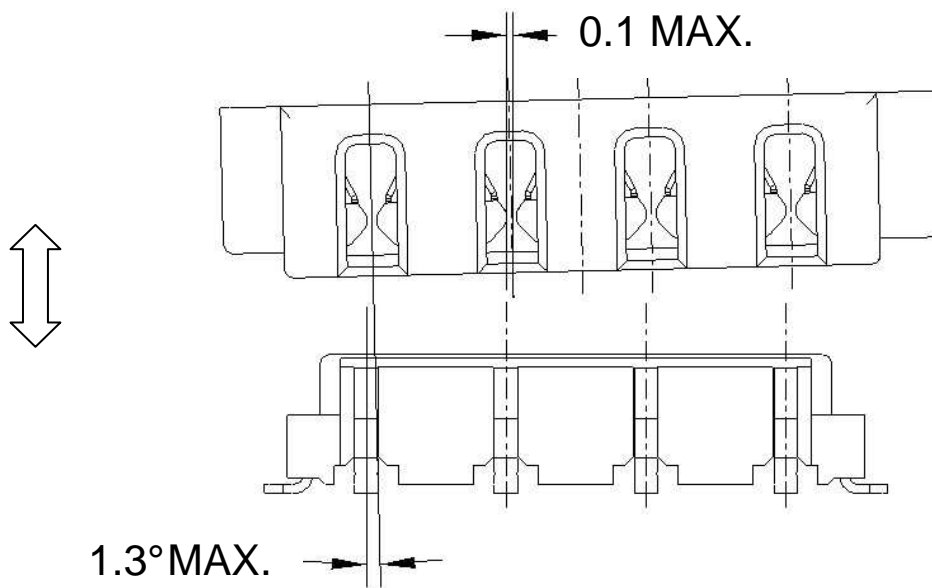


Fig.3-2 Tilt allowance for durability test



Компания «ЭлектроПласт» предлагает заключение долгосрочных отношений при поставках импортных электронных компонентов на взаимовыгодных условиях!

Наши преимущества:

- Оперативные поставки широкого спектра электронных компонентов отечественного и импортного производства напрямую от производителей и с крупнейших мировых складов;
- Поставка более 17-ти миллионов наименований электронных компонентов;
- Поставка сложных, дефицитных, либо снятых с производства позиций;
- Оперативные сроки поставки под заказ (от 5 рабочих дней);
- Экспресс доставка в любую точку России;
- Техническая поддержка проекта, помощь в подборе аналогов, поставка прототипов;
- Система менеджмента качества сертифицирована по Международному стандарту ISO 9001;
- Лицензия ФСБ на осуществление работ с использованием сведений, составляющих государственную тайну;
- Поставка специализированных компонентов (Xilinx, Altera, Analog Devices, Intersil, Interpoint, Microsemi, Aeroflex, Peregrine, Syfer, Eurofarad, Texas Instrument, Miteq, Cobham, E2V, MA-COM, Hittite, Mini-Circuits, General Dynamics и др.);

Помимо этого, одним из направлений компании «ЭлектроПласт» является направление «Источники питания». Мы предлагаем Вам помощь Конструкторского отдела:

- Подбор оптимального решения, техническое обоснование при выборе компонента;
- Подбор аналогов;
- Консультации по применению компонента;
- Поставка образцов и прототипов;
- Техническая поддержка проекта;
- Защита от снятия компонента с производства.



#### Как с нами связаться

**Телефон:** 8 (812) 309 58 32 (многоканальный)

**Факс:** 8 (812) 320-02-42

**Электронная почта:** [org@eplast1.ru](mailto:org@eplast1.ru)

**Адрес:** 198099, г. Санкт-Петербург, ул. Калинина, дом 2, корпус 4, литера А.