

FIGURE 11

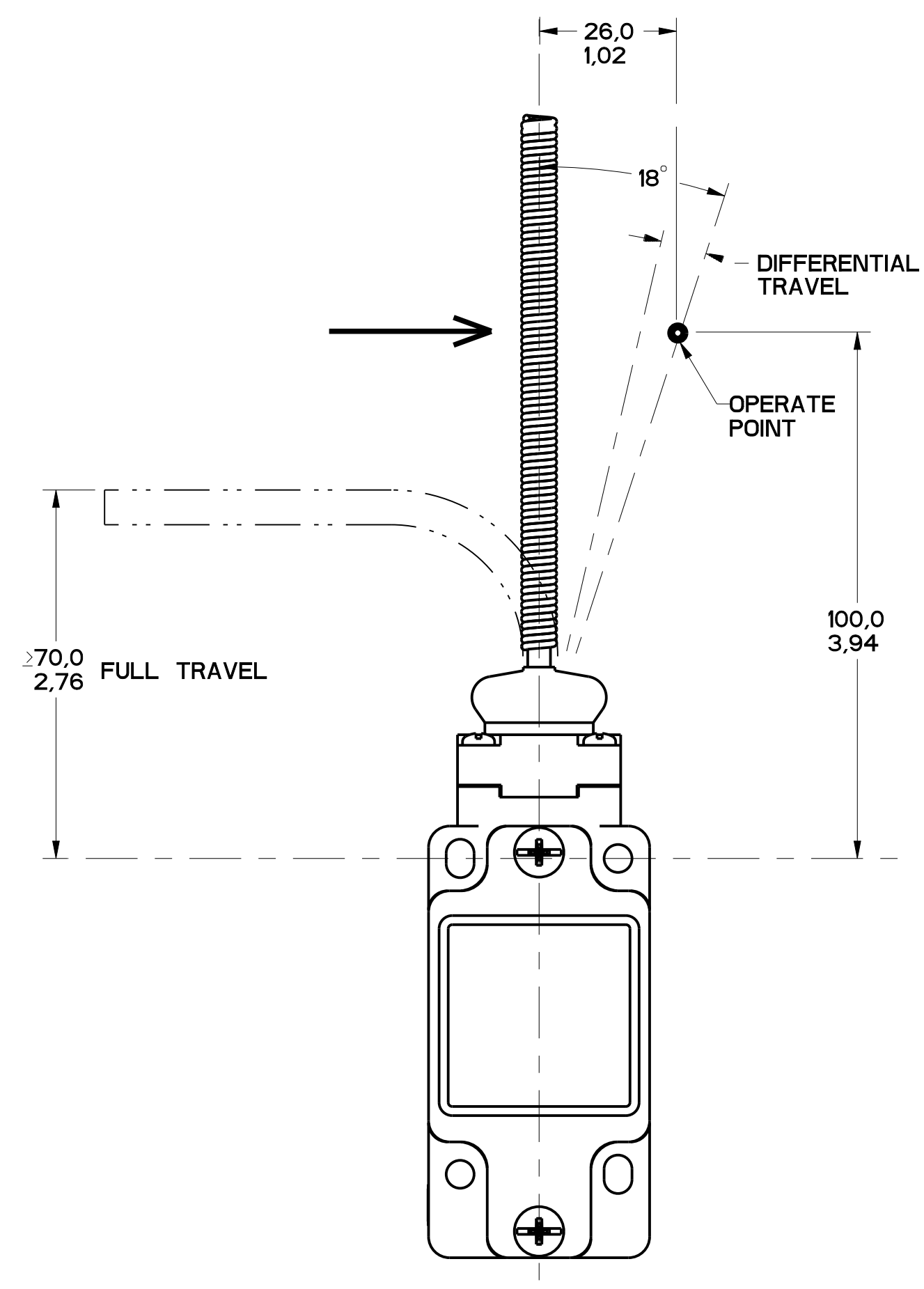


FIGURE 12

MGL SERIES CHART 1
 DRAWING NUMBER: 6 OF 13
 RELEASE NO. PR-20782
 PAGES: 16
 ISSUE: CMH
 CHECK: CMH
 DATE: 05 OCT 10
 CHECK: CMH
 DATE: 26 AUG 93
 CHECK: G.H.
 DATE: 0894578
 DATE: 12 OCT 12
 P.T.C./CAD: 3D
 DRAWN: W.L.S.
 CHECK: G.H.

REV	DESCRIPTION	DATE	BY	CHKD
1	0002461	01 JUN 83	W.L.S.	W.L.S.
2	0002786	20 JAN 84	W.L.S.	W.L.S.
3	0023759	07 AUG 86	W.L.S.	W.L.S.
4	0037216	08 FEB 88	W.L.S.	W.L.S.
5	0043629	05 FEB 88	W.L.S.	W.L.S.
6	0048605	07 FEB 89	W.L.S.	W.L.S.
7	007800	07 FEB 89	W.L.S.	W.L.S.
8	0078058	07 FEB 89	W.L.S.	W.L.S.
9	0084578	08 FEB 88	W.L.S.	W.L.S.
10	1202112	12 OCT 12	W.L.S.	W.L.S.

THIS DRAWING COVERS A PROPRIETARY ITEM AND IS THE PROPERTY OF MICRO SWITCH, A DIVISION OF HONEYWELL. THIS DRAWING IS NOT TO BE COPIED OR USED WITHOUT THE APPROVAL OF MICRO SWITCH.

FED. MFG. CODE 91929

MICRO SWITCH
a Honeywell Division

SWITCH, ENCLOSED

CATALOG LISTING

GL SERIES CHART 1

THIRD ANGLE PROJECTION

SCALE: 1:1

DO NOT SCALE PRINT

TOLERANCES

APPLY TO DESIGN UNITS. CONCESSIONS ARE ONLY FOR REFERENCE, UNLESS NOTED. TOLERANCES ARE:

NO. PLACES	SI METRIC	TOL.	US CUSTOMARY	TOL.
ONE PLACE	X	0.40	X	0.015
TWO PLACES	X	0.075	X	0.003
THREE PLACES	X	0.025	X	0.001

DESIGN UNITS: SI METRIC US CUSTOMARY

WEIGHT

FIGURES 11, PIN PLUNGER HEAD, LINEAR ACTUATION

CATALOG LISTING	CONTACT BLOCK DIAGRAM	NOMINAL TRAVELS AND RELATED TERMINALS ■ CONTACT CLOSED, □ CONTACT OPEN, ▨ CONTACT CLOSED DIFFERENTIAL TRAVEL, ** POSITIVE OPENING TO IEC 947-5-1	MAXIMUM OPERATING FORCE $\frac{N}{LB}$	MAXIMUM DISCONNECT FORCE $\frac{N}{LB}$	MAX OPERATE VEL $\frac{M}{S}$ $\frac{IN}{S}$	MIN OPERATE VEL $\frac{MM}{S}$ $\frac{IN}{S}$	MAX OPERATE FREQUENCY OPS/MIN
GL**01B GL**07B	SNAP - ACTION CONTACTS SINGLE POLE 	37.5 35 33** 30.5 21-22 13-14 0.9 DIFFERENTIAL TRAVEL	$\frac{16}{3.6}$	$\frac{27}{6.0}$	$\frac{0.1}{3.9}$	$\frac{1.0}{.04}$	250
GL**03B GL**33B	SLOW ACTING BREAK BEFORE MAKE 	37.5 35** 30.5 21-22 13-14 34	$\frac{16}{3.6}$	$\frac{27}{6.0}$	$\frac{0.1}{3.9}$	$\frac{1.0}{.04}$	250
GL**04B GL**34B	SLOW ACTING MAKE BEFORE BREAK 	37.5 34** 30.5 21-22 13-14 35	$\frac{16}{3.6}$	$\frac{27}{6.0}$	$\frac{0.1}{3.9}$	$\frac{1.0}{.04}$	250
GL**05B GL**35B	SLOW ACTING 	37.5 34 30.5 13-14 23-24	$\frac{16}{3.6}$	$\frac{27}{6.0}$	$\frac{0.1}{3.9}$	$\frac{1.0}{.04}$	250
GL**06B GL**36B	SLOW ACTING 	37.5 35** 30.5 11-12 21-22 34	$\frac{16}{3.6}$	$\frac{27}{6.0}$	$\frac{0.1}{3.9}$	$\frac{1.0}{.04}$	250
GL**20B GL**22B GL**24B GL**32B	SNAP ACTION CONTACTS DOUBLE POLE 	37.5 35 33** 30.5 11-12, 21-22 13-14, 23-24 0.9 DIFFERENTIAL TRAVEL	$\frac{16}{3.6}$	$\frac{37}{8.2}$	$\frac{0.1}{3.9}$	$\frac{1.0}{.04}$	250
GL**21B GL**25B GL**28B GL**31B	STEP 1 STEP 2 SNAP ACTION CONTACTS DOUBLE POLE SEQUENTIAL 	37.5 35 33.8 30.5 11-12 13-14 21-22 23-24 .8 DIFFERENTIAL TRAVEL	$\frac{16}{3.6}$	N/A	$\frac{0.1}{3.9}$	$\frac{1.0}{.04}$	250

FIGURE 12, WOBBLE HEAD, ANGULAR ACTUATION

CATALOG LISTING	CONTACT BLOCK DIAGRAM	NOMINAL TRAVELS AND RELATED TERMINALS ■ CONTACT CLOSED, □ CONTACT OPEN, ▨ CONTACT CLOSED DIFFERENTIAL TRAVEL, ** POSITIVE OPENING TO IEC 947-5-1	MAXIMUM OPERATING TORQUE $\frac{N-m}{LB/IN}$	MAXIMUM DISCONNECT TORQUE $\frac{N-m}{LB/IN}$	MAX OPERATE DEGREE/S	MIN OPERATE VELOCITY DEGREE/S	MAX OPERATE RATE CYCLES/MIN
GL**01E GL**07E	SNAP - ACTION CONTACTS SINGLE POLE 	21-22 13-14 18° 8° DIFFERENTIAL TRAVEL	$\frac{0.2}{1.8}$	N/A	360	8	100
GL**03E GL**33E	SLOW ACTING BREAK BEFORE MAKE 	21-22 13-14 0° 18° 25° 35°	$\frac{0.2}{1.8}$	N/A	360	8	100
GL**04E GL**34E	SLOW ACTING MAKE BEFORE BREAK 	21-22 13-14 0° 18° 25° 35°	$\frac{0.2}{1.8}$	N/A	360	8	100
GL**05E GL**35E	SLOW ACTING 	13-14 23-24 0° 25° 35°	$\frac{0.2}{1.8}$	N/A	360	8	100
GL**06E GL**36E	SLOW ACTING 	11-12 21-22 0° 18° 35°	$\frac{0.2}{1.8}$	N/A	360	8	100
GL**20E GL**22E GL**24E GL**32E	SNAP ACTION CONTACTS DOUBLE POLE 	11-12, 21-22 13-14, 23-24 18° 8° DIFFERENTIAL TRAVEL	$\frac{0.2}{1.8}$	N/A	360	8	100

FIGURE 12, WOBBLE HEAD, SIDE ACTUATION AT 100mm

CATALOG LISTING	CONTACT BLOCK DIAGRAM	NOMINAL TRAVELS AND RELATED TERMINALS ■ CONTACT CLOSED, □ CONTACT OPEN, ▨ CONTACT CLOSED DIFFERENTIAL TRAVEL, ** POSITIVE OPENING TO IEC 947-5-1	MAXIMUM OPERATING FORCE $\frac{N}{LB}$	MAXIMUM DISCONNECT FORCE $\frac{N}{LB}$	MAX OPERATE VEL $\frac{M}{S}$ $\frac{IN}{S}$	MIN OPERATE VEL $\frac{MM}{S}$ $\frac{IN}{S}$	MAX OPERATE FREQUENCY OPS/MIN
GL**01E GL**07E	SNAP - ACTION CONTACTS SINGLE POLE 	21-22 13-14 26 12 DIFFERENTIAL TRAVEL	$\frac{2.5}{0.6}$	N/A	$\frac{.5}{19.7}$	$\frac{11}{.43}$	100
GL**03E GL**33E	SLOW ACTING BREAK BEFORE MAKE 	21-22 13-14 26.5 38.1	$\frac{2.5}{0.6}$	N/A	$\frac{.5}{19.7}$	$\frac{11}{.43}$	100
GL**04E GL**34E	SLOW ACTING MAKE BEFORE BREAK 	21-22 13-14 26.5 38.1	$\frac{2.5}{0.6}$	N/A	$\frac{.5}{19.7}$	$\frac{11}{.43}$	100
GL**05E GL**35E	SLOW ACTING 	13-14 23-24 38.1	$\frac{2.5}{0.6}$	N/A	$\frac{.5}{19.7}$	$\frac{11}{.43}$	100
GL**06E GL**36E	SLOW ACTING 	11-12 21-22 26.5	$\frac{2.5}{0.6}$	N/A	$\frac{.5}{19.7}$	$\frac{11}{.43}$	100
GL**20E GL**22E GL**24E GL**32E	SNAP ACTION CONTACTS DOUBLE POLE 	11-12, 21-22 13-14, 23-24 26	$\frac{2.5}{0.6}$	N/A	360	8	100

THIRD ANGLE PROJECTION

SCALE -

DO NOT SCALE PRINT

TOLERANCES

APPLY TO DESIGN UNITS. CONVERSIONS ARE ONLY FOR REFERENCE. UNLESS NOTED, TOLERANCES ARE:

NO PLACES	1X	17.04	1.1	0.01/0.5
TWO PLACES	2X	0.13/0.06	0.13/0.06	0.13/0.06
THREE PLACES	3X	0.13/0.06	0.13/0.06	0.13/0.06

ANGLES ± 2°

DESIGN UNITS SI METRIC US CUSTOMARY

WEIGHT

THIS DRAWING COVERS A PROPRIETARY ITEM AND IS THE PROPERTY OF MICRO SWITCH, A DIVISION OF HONEYWELL. THIS DRAWING IS NOT TO BE COPIED OR USED WITHOUT THE APPROVAL OF MICRO SWITCH.

FED. MFG. CODE 91929
MICRO SWITCH
a Honeywell Division

SWITCH, ENCLOSED

CATALOG LISTING
GL SERIES CHART 1

MGL SERIES CHART 1
 DRAWING NUMBER: 7 OF 13
 RELEASE NO. PR-201782
 CHECK: CMH
 DATE: 20 AUG 93
 CHECK: CMH
 DATE: 20 JAN 84
 H: 0023759
 J: 0037216
 K: 0043629
 L: 0048605
 M: 0078009
 N: 0094570
 PTC/CAD
 W. L. S. 20 AUG 93
 CHECK: GLH

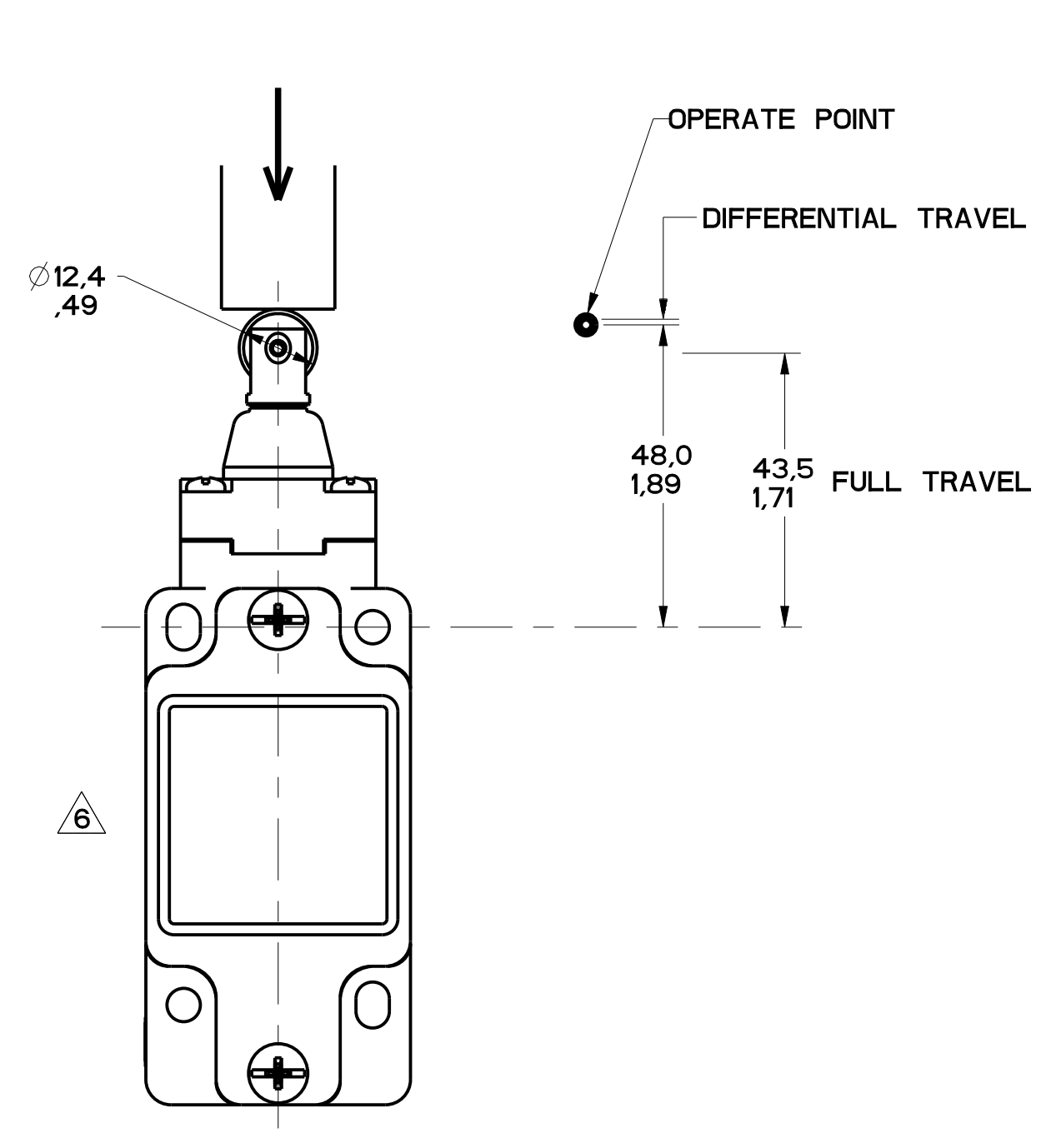


FIGURE 13A

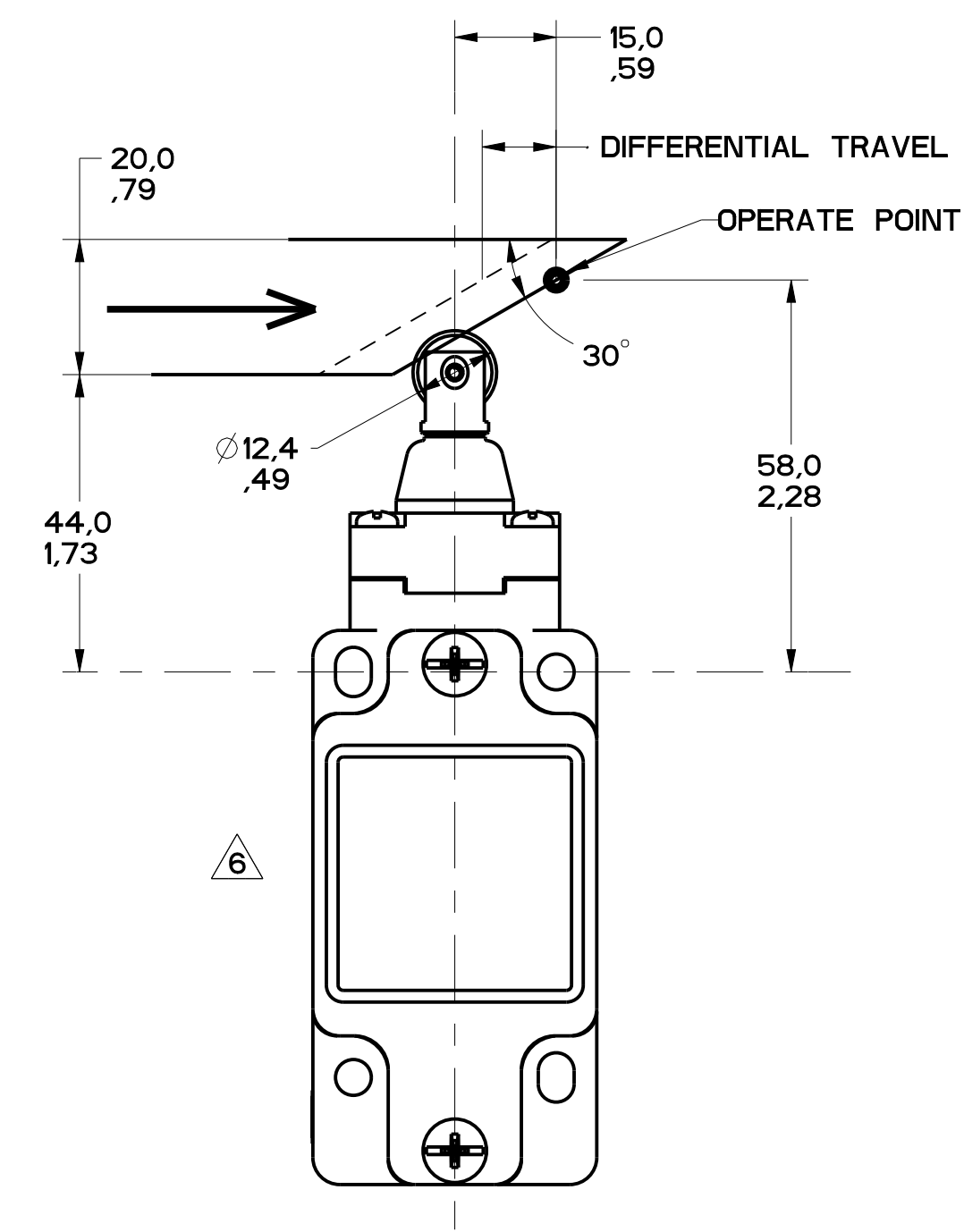


FIGURE 13B

MGL SERIES CHART 1
 DRAWING NUMBER: 8 OF 13
 RELEASE NO. PR-20782
 ISSUE: 16
 CHECK: CMH
 DATE: 20 APR 83
 P.T.C./CAD
 W.L.S. 20 APR 83
 CHECK: G.H.
 DATE: 20 APR 83

REV	DESCRIPTION	DATE
1	0005041	01 JUN 83
2	0007986	20 JAN 84
3	0023759	07 AUG 86
4	0037216	01 FEB 88
5	0043629	05 FEB 88
6	0048605	07 FEB 89
7	0078800	07 FEB 89
8	0078800	07 FEB 89
9	0084510	08 FEB 89

THIS DRAWING COVERS A PROPRIETARY ITEM AND IS THE PROPERTY OF MICRO SWITCH, A DIVISION OF HONEYWELL. THIS DRAWING IS NOT TO BE COPIED OR USED WITHOUT THE APPROVAL OF MICRO SWITCH. FED. MFG. CODE 91929		CATALOG LISTING	
MICRO SWITCH a Honeywell Division		SWITCH, ENCLOSED	
DESIGN UNITS: <input checked="" type="checkbox"/> SI METRIC <input type="checkbox"/> US CUSTOMARY		GL SERIES CHART 1	
TOLERANCES APPLY TO DESIGN UNITS. CONCESSIONS ARE ONLY FOR REFERENCE, UNLESS NOTED. TOLERANCES ARE:		THIRD ANGLE PROJECTION SCALE: 1:1 DO NOT SCALE PRINT	
NO PLACES	1X	±.04	±.04
ONE PLACE	1X	±.02	±.02
TWO PLACES	1X	±.01	±.01
THREE PLACES	1X	±.005	±.005
ANGLES	±.2°		
WEIGHT			

FIGURE 13A, ROLLER PLUNGER HEAD, PIN ACTUATION

CATALOG LISTING	CONTACT BLOCK DIAGRAM	NOMINAL TRAVELS AND RELATED TERMINALS ■ CONTACT CLOSED, □ CONTACT OPEN, ▨ CONTACT CLOSED DIFFERENTIAL TRAVEL, ** POSITIVE OPENING TO IEC 947-5-1	MAXIMUM OPERATING FORCE $\frac{N}{LB}$	MAXIMUM DISCONNECT FORCE $\frac{N}{LB}$	MAX OPERATE VEL $\frac{M/S}{IN/S}$	MIN OPERATE VEL $\frac{MM/S}{IN/S}$	MAX OPERATE FREQUENCY OPS/MIN
GL**01C GL**07C	SNAP - ACTION CONTACTS SINGLE POLE 		$\frac{16}{3.6}$	$\frac{27}{6.0}$	$\frac{0.1}{3.9}$	$\frac{1.0}{.04}$	250
GL**03C GL**33C	SLOW ACTING BREAK BEFORE MAKE 		$\frac{16}{3.6}$	$\frac{27}{6.0}$	$\frac{0.1}{3.9}$	$\frac{1.0}{.04}$	250
GL**04C GL**34C	SLOW ACTING MAKE BEFORE BREAK 		$\frac{16}{3.6}$	$\frac{27}{6.0}$	$\frac{0.1}{3.9}$	$\frac{1.0}{.04}$	250
GL**05C GL**35C	SLOW ACTING 		$\frac{16}{3.6}$	$\frac{27}{6.0}$	$\frac{0.1}{3.9}$	$\frac{1.0}{.04}$	250
GL**06C GL**36C	SLOW ACTING 		$\frac{16}{3.6}$	$\frac{27}{6.0}$	$\frac{0.1}{3.9}$	$\frac{1.0}{.04}$	250
GL**20C GL**22C GL**24C GL**32C	SNAP ACTION CONTACTS DOUBLE POLE 		$\frac{16}{3.6}$	$\frac{37}{8.2}$	$\frac{0.1}{3.9}$	$\frac{1.0}{.04}$	250
GL**21C GL**25C GL**28C GL**31C	STEP 1 STEP 2 SNAP ACTION CONTACTS DOUBLE POLE SEQUENTIAL 		$\frac{16}{3.6}$	N/A	$\frac{0.1}{3.9}$	$\frac{1.0}{.04}$	250

FIGURE 13B, TOP ROLLER PLUNGER HEAD, CAM ACTUATION PER EN50041

CATALOG LISTING	CONTACT BLOCK DIAGRAM	NOMINAL TRAVELS AND RELATED TERMINALS ■ CONTACT CLOSED, □ CONTACT OPEN, ▨ CONTACT CLOSED DIFFERENTIAL TRAVEL, ** POSITIVE OPENING TO IEC 947-5-1	MAXIMUM OPERATING FORCE $\frac{N}{LB}$	MAXIMUM DISCONNECT FORCE $\frac{N}{LB}$	MAX OPERATE VEL $\frac{M/S}{IN/S}$	MIN OPERATE VEL $\frac{MM/S}{IN/S}$	MAX OPERATE FREQUENCY OPS/MIN
GL**01C GL**07C	SNAP - ACTION CONTACTS SINGLE POLE 		$\frac{9.3}{2.1}$	$\frac{15.6}{3.5}$	$\frac{0.17}{6.7}$	$\frac{1.7}{.067}$	250
GL**03C GL**33C	SLOW ACTING BREAK BEFORE MAKE 		$\frac{9.3}{2.1}$	$\frac{15.6}{3.5}$	$\frac{0.17}{6.7}$	$\frac{1.7}{.067}$	250
GL**04C GL**34C	SLOW ACTING MAKE BEFORE BREAK 		$\frac{9.3}{2.1}$	$\frac{15.6}{3.5}$	$\frac{0.17}{6.7}$	$\frac{1.7}{.067}$	250
GL**05C GL**35C	SLOW ACTING 		$\frac{9.3}{2.1}$	$\frac{15.6}{3.5}$	$\frac{0.17}{6.7}$	$\frac{1.7}{.067}$	250
GL**06C GL**36C	SLOW ACTING 		$\frac{9.3}{2.1}$	$\frac{15.6}{3.5}$	$\frac{0.17}{6.7}$	$\frac{1.7}{.067}$	250
GL**20C GL**22C GL**24C GL**32C	SNAP ACTION CONTACTS DOUBLE POLE 		$\frac{9.3}{2.1}$	$\frac{21.4}{4.8}$	$\frac{0.17}{6.7}$	$\frac{1.7}{.067}$	250
GL**21C GL**25C GL**28C GL**31C	STEP 1 STEP 2 SNAP ACTION CONTACTS DOUBLE POLE SEQUENTIAL 		$\frac{9.3}{2.1}$	N/A	$\frac{0.17}{6.7}$	$\frac{1.7}{.067}$	250

MGL SERIES CHART 1
 DRAWING NUMBER: 9 OF 13
 RELEASE NO. PR-20782
 DATE: 05 OCT 12
 CHECK: CMH
 PTC/CAD: W.L.S. 05 MAR 01
 DRAWN: SAV
 CHECK: SAV
 DATE: 05 OCT 12

REV	DATE	BY	CHKD
1	080504	WLS	WLS
2	080503	WLS	WLS
3	080786	WLS	WLS
4	080804	WLS	WLS
5	082359	WLS	WLS
6	082606	WLS	WLS
7	083716	WLS	WLS
8	081808	WLS	WLS
9	084309	WLS	WLS
10	080808	WLS	WLS
11	084605	WLS	WLS
12	080709	WLS	WLS
13	081805	WLS	WLS
14	080410	WLS	WLS
15	080450	WLS	WLS
16	080412	WLS	WLS

THIS DRAWING COVERS A PROPRIETARY ITEM AND IS THE PROPERTY OF MICRO SWITCH, A DIVISION OF HONEYWELL. THIS DRAWING IS NOT TO BE COPIED OR USED WITHOUT THE APPROVAL OF MICRO SWITCH.

FED. MFG. CODE 91929

MICRO SWITCH
a Honeywell Division

SWITCH, ENCLOSED

CATALOG LISTING
GL SERIES CHART 1

SI METRIC US CUSTOMARY

DESIGN UNITS: ±.02

WEIGHT

NO. PLACES	TOL.	NO. PLACES	TOL.	NO. PLACES	TOL.
ONE PLACES	±.04	TWO PLACES	±.02	THREE PLACES	±.01
FOUR PLACES	±.015	FIVE PLACES	±.01	SIX PLACES	±.005

THIRD ANGLE PROJECTION

SCALE: -

DO NOT SCALE PRINT

TOLERANCES
APPLY TO DESIGN UNITS. CONCESSIONS ARE ONLY FOR REFERENCE, UNLESS NOTED. TOLERANCES ARE:

FIGURE 14A, TOP ROLLER LEVER HEAD WITH PIN ACTUATION

CATALOG LISTING	CONTACT BLOCK DIAGRAM	NOMINAL TRAVELS AND RELATED TERMINALS ■ - CONTACT CLOSED, □ - CONTACT OPEN, ▨ - CONTACT CLOSED DIFFERENTIAL TRAVEL, ** POSITIVE OPENING TO IEC 947-5-1	MAXIMUM OPERATING FORCE $\frac{N}{LB}$	MAXIMUM DISCONNECT FORCE $\frac{N}{LB}$	MAX OPERATE VEL $\frac{M/S}{IN/S}$	MIN OPERATE VEL $\frac{M/S}{IN/S}$	MAX OPERATE FREQUENCY OPS/MIN
GL**01D GL**07D	SNAP - ACTION CONTACTS SINGLE POLE 	 1.7 DIFFERENTIAL TRAVEL	$\frac{9.5}{2.1}$	$\frac{12}{2.7}$	$\frac{0.17}{6.7}$	$\frac{1.7}{.067}$	250
GL**03D GL**33D	SLOW ACTING BREAK BEFORE MAKE 	 59.1	$\frac{9.5}{2.1}$	$\frac{12}{2.7}$	$\frac{0.17}{6.7}$	$\frac{1.7}{.067}$	250
GL**04D GL**34D	SLOW ACTING MAKE BEFORE BREAK 	 61	$\frac{9.5}{2.1}$	$\frac{12}{2.7}$	$\frac{0.17}{6.7}$	$\frac{1.7}{.067}$	250
GL**05D GL**35D	SLOW ACTING 	 59.1	$\frac{9.5}{2.1}$	$\frac{12}{2.7}$	$\frac{0.17}{6.7}$	$\frac{1.7}{.067}$	250
GL**06D GL**36D	SLOW ACTING 	 61	$\frac{9.5}{2.1}$	$\frac{12}{2.7}$	$\frac{0.17}{6.7}$	$\frac{1.7}{.067}$	250
GL**20D GL**22D GL**24D GL**32D	SNAP ACTION CONTACTS DOUBLE POLE 	 1.7 DIFFERENTIAL TRAVEL	$\frac{9.5}{2.1}$	$\frac{16.4}{3.7}$	$\frac{0.17}{6.7}$	$\frac{1.7}{.067}$	250
GL**21D GL**25D GL**28D GL**31D	STEP 1 STEP 2 SNAP ACTION CONTACTS DOUBLE POLE SEQUENTIAL 	 1.6 DIFFERENTIAL TRAVEL	$\frac{9.5}{2.1}$	N/A	$\frac{0.17}{6.7}$	$\frac{1.7}{.067}$	250

FIGURE 14B, TOP ROLLER LEVER HEAD WITH CAM ACTUATION

CATALOG LISTING	CONTACT BLOCK DIAGRAM	NOMINAL TRAVELS AND RELATED TERMINALS ■ - CONTACT CLOSED, □ - CONTACT OPEN, ▨ - CONTACT CLOSED DIFFERENTIAL TRAVEL, ** POSITIVE OPENING TO IEC 947-5-1	MAXIMUM OPERATING FORCE $\frac{N}{LB}$	MAXIMUM DISCONNECT FORCE $\frac{N}{LB}$	MAX OPERATE VEL $\frac{M/S}{IN/S}$	MIN OPERATE VEL $\frac{M/S}{IN/S}$	MAX OPERATE FREQUENCY OPS/MIN
GL**01D GL**07D	SNAP - ACTION CONTACTS SINGLE POLE 	 4.1 DIFFERENTIAL TRAVEL	$\frac{5.5}{1.2}$	$\frac{7.0}{1.6}$	$\frac{0.29}{11.4}$	$\frac{2.9}{.11}$	250
GL**03D GL**33D	SLOW ACTING BREAK BEFORE MAKE 	 24.1	$\frac{5.5}{1.2}$	$\frac{7.0}{1.6}$	$\frac{0.29}{11.4}$	$\frac{2.9}{.11}$	250
GL**04D GL**34D	SLOW ACTING MAKE BEFORE BREAK 	 20	$\frac{5.5}{1.2}$	$\frac{9.6}{2.2}$	$\frac{0.29}{11.4}$	$\frac{2.9}{.11}$	250
GL**05D GL**35D	SLOW ACTING 	 24.1	$\frac{5.5}{1.2}$	$\frac{7.0}{1.6}$	$\frac{0.29}{11.4}$	$\frac{2.9}{.11}$	250
GL**06D GL**36D	SLOW ACTING 	 20	$\frac{5.5}{1.2}$	$\frac{7.0}{1.6}$	$\frac{0.29}{11.4}$	$\frac{2.9}{.11}$	250
GL**20D GL**22D GL**24D GL**32D	SNAP ACTION CONTACTS DOUBLE POLE 	 4.1 DIFFERENTIAL TRAVEL	$\frac{5.5}{1.2}$	$\frac{7.0}{1.6}$	$\frac{0.29}{11.4}$	$\frac{2.9}{.11}$	250
GL**21D GL**25D GL**28D GL**31D	STEP 1 STEP 2 SNAP ACTION CONTACTS DOUBLE POLE SEQUENTIAL 	 3.7 DIFFERENTIAL TRAVEL	$\frac{5.5}{1.2}$	N/A	$\frac{0.29}{11.4}$	$\frac{2.9}{.11}$	250

MGL SERIES CHART 1
 DRAWING NUMBER: 11 OF 13
 PTC/CAD 3D
 GH 05MARC01
 CMH 120C112
 RELEASE NO. -
 16
 ISSUE
 02/01/02
 03/01/02
 04/01/02
 05/01/02
 06/01/02
 07/01/02
 08/01/02
 09/01/02
 10/01/02
 11/01/02
 12/01/02
 01/01/03
 02/01/03
 03/01/03
 04/01/03
 05/01/03
 06/01/03
 07/01/03
 08/01/03
 09/01/03
 10/01/03
 11/01/03
 12/01/03
 01/01/04
 02/01/04
 03/01/04
 04/01/04
 05/01/04
 06/01/04
 07/01/04
 08/01/04
 09/01/04
 10/01/04
 11/01/04
 12/01/04
 01/01/05
 02/01/05
 03/01/05
 04/01/05
 05/01/05
 06/01/05
 07/01/05
 08/01/05
 09/01/05
 10/01/05
 11/01/05
 12/01/05
 01/01/06
 02/01/06
 03/01/06
 04/01/06
 05/01/06
 06/01/06
 07/01/06
 08/01/06
 09/01/06
 10/01/06
 11/01/06
 12/01/06
 01/01/07
 02/01/07
 03/01/07
 04/01/07
 05/01/07
 06/01/07
 07/01/07
 08/01/07
 09/01/07
 10/01/07
 11/01/07
 12/01/07
 01/01/08
 02/01/08
 03/01/08
 04/01/08
 05/01/08
 06/01/08
 07/01/08
 08/01/08
 09/01/08
 10/01/08
 11/01/08
 12/01/08
 01/01/09
 02/01/09
 03/01/09
 04/01/09
 05/01/09
 06/01/09
 07/01/09
 08/01/09
 09/01/09
 10/01/09
 11/01/09
 12/01/09
 01/01/10
 02/01/10
 03/01/10
 04/01/10
 05/01/10
 06/01/10
 07/01/10
 08/01/10
 09/01/10
 10/01/10
 11/01/10
 12/01/10
 01/01/11
 02/01/11
 03/01/11
 04/01/11
 05/01/11
 06/01/11
 07/01/11
 08/01/11
 09/01/11
 10/01/11
 11/01/11
 12/01/11
 01/01/12
 02/01/12
 03/01/12
 04/01/12
 05/01/12
 06/01/12
 07/01/12
 08/01/12
 09/01/12
 10/01/12
 11/01/12
 12/01/12
 01/01/13
 02/01/13
 03/01/13
 04/01/13
 05/01/13
 06/01/13
 07/01/13
 08/01/13
 09/01/13
 10/01/13
 11/01/13
 12/01/13
 01/01/14
 02/01/14
 03/01/14
 04/01/14
 05/01/14
 06/01/14
 07/01/14
 08/01/14
 09/01/14
 10/01/14
 11/01/14
 12/01/14
 01/01/15
 02/01/15
 03/01/15
 04/01/15
 05/01/15
 06/01/15
 07/01/15
 08/01/15
 09/01/15
 10/01/15
 11/01/15
 12/01/15
 01/01/16
 02/01/16
 03/01/16
 04/01/16
 05/01/16
 06/01/16
 07/01/16
 08/01/16
 09/01/16
 10/01/16
 11/01/16
 12/01/16
 01/01/17
 02/01/17
 03/01/17
 04/01/17
 05/01/17
 06/01/17
 07/01/17
 08/01/17
 09/01/17
 10/01/17
 11/01/17
 12/01/17
 01/01/18
 02/01/18
 03/01/18
 04/01/18
 05/01/18
 06/01/18
 07/01/18
 08/01/18
 09/01/18
 10/01/18
 11/01/18
 12/01/18
 01/01/19
 02/01/19
 03/01/19
 04/01/19
 05/01/19
 06/01/19
 07/01/19
 08/01/19
 09/01/19
 10/01/19
 11/01/19
 12/01/19
 01/01/20
 02/01/20
 03/01/20
 04/01/20
 05/01/20
 06/01/20
 07/01/20
 08/01/20
 09/01/20
 10/01/20
 11/01/20
 12/01/20
 01/01/21
 02/01/21
 03/01/21
 04/01/21
 05/01/21
 06/01/21
 07/01/21
 08/01/21
 09/01/21
 10/01/21
 11/01/21
 12/01/21
 01/01/22
 02/01/22
 03/01/22
 04/01/22
 05/01/22
 06/01/22
 07/01/22
 08/01/22
 09/01/22
 10/01/22
 11/01/22
 12/01/22
 01/01/23
 02/01/23
 03/01/23
 04/01/23
 05/01/23
 06/01/23
 07/01/23
 08/01/23
 09/01/23
 10/01/23
 11/01/23
 12/01/23
 01/01/24
 02/01/24
 03/01/24
 04/01/24
 05/01/24
 06/01/24
 07/01/24
 08/01/24
 09/01/24
 10/01/24
 11/01/24
 12/01/24
 01/01/25
 02/01/25
 03/01/25
 04/01/25
 05/01/25
 06/01/25
 07/01/25
 08/01/25
 09/01/25
 10/01/25
 11/01/25
 12/01/25
 01/01/26
 02/01/26
 03/01/26
 04/01/26
 05/01/26
 06/01/26
 07/01/26
 08/01/26
 09/01/26
 10/01/26
 11/01/26
 12/01/26
 01/01/27
 02/01/27
 03/01/27
 04/01/27
 05/01/27
 06/01/27
 07/01/27
 08/01/27
 09/01/27
 10/01/27
 11/01/27
 12/01/27
 01/01/28
 02/01/28
 03/01/28
 04/01/28
 05/01/28
 06/01/28
 07/01/28
 08/01/28
 09/01/28
 10/01/28
 11/01/28
 12/01/28
 01/01/29
 02/01/29
 03/01/29
 04/01/29
 05/01/29
 06/01/29
 07/01/29
 08/01/29
 09/01/29
 10/01/29
 11/01/29
 12/01/29
 01/01/30
 02/01/30
 03/01/30
 04/01/30
 05/01/30
 06/01/30
 07/01/30
 08/01/30
 09/01/30
 10/01/30
 11/01/30
 12/01/30
 01/01/31
 02/01/31
 03/01/31
 04/01/31
 05/01/31
 06/01/31
 07/01/31
 08/01/31
 09/01/31
 10/01/31
 11/01/31
 12/01/31
 01/01/32
 02/01/32
 03/01/32
 04/01/32
 05/01/32
 06/01/32
 07/01/32
 08/01/32
 09/01/32
 10/01/32
 11/01/32
 12/01/32
 01/01/33
 02/01/33
 03/01/33
 04/01/33
 05/01/33
 06/01/33
 07/01/33
 08/01/33
 09/01/33
 10/01/33
 11/01/33
 12/01/33
 01/01/34
 02/01/34
 03/01/34
 04/01/34
 05/01/34
 06/01/34
 07/01/34
 08/01/34
 09/01/34
 10/01/34
 11/01/34
 12/01/34
 01/01/35
 02/01/35
 03/01/35
 04/01/35
 05/01/35
 06/01/35
 07/01/35
 08/01/35
 09/01/35
 10/01/35
 11/01/35
 12/01/35
 01/01/36
 02/01/36
 03/01/36
 04/01/36
 05/01/36
 06/01/36
 07/01/36
 08/01/36
 09/01/36
 10/01/36
 11/01/36
 12/01/36
 01/01/37
 02/01/37
 03/01/37
 04/01/37
 05/01/37
 06/01/37
 07/01/37
 08/01/37
 09/01/37
 10/01/37
 11/01/37
 12/01/37
 01/01/38
 02/01/38
 03/01/38
 04/01/38
 05/01/38
 06/01/38
 07/01/38
 08/01/38
 09/01/38
 10/01/38
 11/01/38
 12/01/38
 01/01/39
 02/01/39
 03/01/39
 04/01/39
 05/01/39
 06/01/39
 07/01/39
 08/01/39
 09/01/39
 10/01/39
 11/01/39
 12/01/39
 01/01/40
 02/01/40
 03/01/40
 04/01/40
 05/01/40
 06/01/40
 07/01/40
 08/01/40
 09/01/40
 10/01/40
 11/01/40
 12/01/40
 01/01/41
 02/01/41
 03/01/41
 04/01/41
 05/01/41
 06/01/41
 07/01/41
 08/01/41
 09/01/41
 10/01/41
 11/01/41
 12/01/41
 01/01/42
 02/01/42
 03/01/42
 04/01/42
 05/01/42
 06/01/42
 07/01/42
 08/01/42
 09/01/42
 10/01/42
 11/01/42
 12/01/42
 01/01/43
 02/01/43
 03/01/43
 04/01/43
 05/01/43
 06/01/43
 07/01/43
 08/01/43
 09/01/43
 10/01/43
 11/01/43
 12/01/43
 01/01/44
 02/01/44
 03/01/44
 04/01/44
 05/01/44
 06/01/44
 07/01/44
 08/01/44
 09/01/44
 10/01/44
 11/01/44
 12/01/44
 01/01/45
 02/01/45
 03/01/45
 04/01/45
 05/01/45
 06/01/45
 07/01/45
 08/01/45
 09/01/45
 10/01/45
 11/01/45
 12/01/45
 01/01/46
 02/01/46
 03/01/46
 04/01/46
 05/01/46
 06/01/46
 07/01/46
 08/01/46
 09/01/46
 10/01/46
 11/01/46
 12/01/46
 01/01/47
 02/01/47
 03/01/47
 04/01/47
 05/01/47
 06/01/47
 07/01/47
 08/01/47
 09/01/47
 10/01/47
 11/01/47
 12/01/47
 01/01/48
 02/01/48
 03/01/48
 04/01/48
 05/01/48
 06/01/48
 07/01/48
 08/01/48
 09/01/48
 10/01/48
 11/01/48
 12/01/48
 01/01/49
 02/01/49
 03/01/49
 04/01/49
 05/01/49
 06/01/49
 07/01/49
 08/01/49
 09/01/49
 10/01/49
 11/01/49
 12/01/49
 01/01/50
 02/01/50
 03/01/50
 04/01/50
 05/01/50
 06/01/50
 07/01/50
 08/01/50
 09/01/50
 10/01/50
 11/01/50
 12/01/50
 01/01/51
 02/01/51
 03/01/51
 04/01/51
 05/01/51
 06/01/51
 07/01/51
 08/01/51
 09/01/51
 10/01/51
 11/01/51
 12/01/51
 01/01/52
 02/01/52
 03/01/52
 04/01/52
 05/01/52
 06/01/52
 07/01/52
 08/01/52
 09/01/52
 10/01/52
 11/01/52
 12/01/52
 01/01/53
 02/01/53
 03/01/53
 04/01/53
 05/01/53
 06/01/53
 07/01/53
 08/01/53
 09/01/53
 10/01/53
 11/01/53
 12/01/53
 01/01/54
 02/01/54
 03/01/54
 04/01/54
 05/01/54
 06/01/54
 07/01/54
 08/01/54
 09/01/54
 10/01/54
 11/01/54
 12/01/54
 01/01/55
 02/01/55
 03/01/55
 04/01/55
 05/01

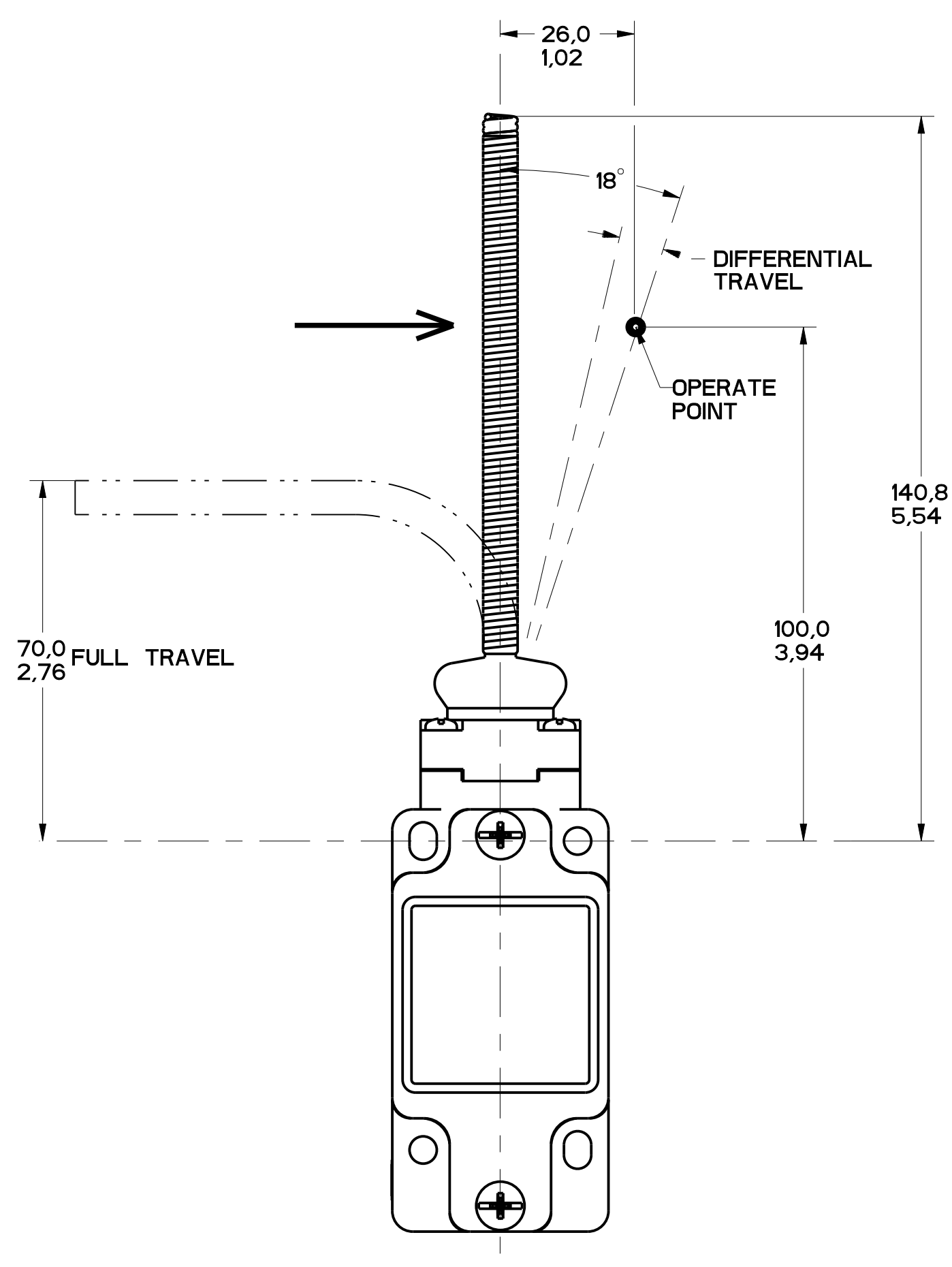


FIGURE 15

DRAWING NUMBER		PAGE		OF		ISSUES	
16		12		OF		13	
DRAWN		CHECKED		APPROVED		DATE	
PTC/CAD 3D		G.H. OSWALD		S.A.V.		12/01/12	

REVISIONS	DATE	BY	REASON
1	04/02/04	W.S.	REVISED
2	01/03/03	W.S.	REVISED
3	00/27/86	W.S.	REVISED
4	20/04/84	W.S.	REVISED
5	02/27/59	W.S.	REVISED
6	07/06/66	W.S.	REVISED
7	03/12/16	W.S.	REVISED
8	08/18/88	W.S.	REVISED
9	04/26/29	W.S.	REVISED
10	05/18/08	W.S.	REVISED
11	04/06/05	W.S.	REVISED
12	07/18/09	W.S.	REVISED
13	07/30/09	W.S.	REVISED
14	02/01/10	W.S.	REVISED
15	04/04/10	W.S.	REVISED
16	12/01/12	W.S.	REVISED

THIS DRAWING COVERS A PROPRIETARY ITEM AND IS THE PROPERTY OF MICRO SWITCH, A DIVISION OF HONEYWELL. THIS DRAWING IS NOT TO BE COPIED OR USED WITHOUT THE APPROVAL OF MICRO SWITCH. FED. MFG. CODE 91929		CATALOG LISTING	
MICRO SWITCH a Honeywell Division		SWITCH, ENCLOSED	
GL SERIES CHART 1		DESIGN UNITS: <input checked="" type="checkbox"/> SI METRIC <input type="checkbox"/> US CUSTOMARY	
TOLERANCES APPLY TO DESIGN UNITS. CONCESSIONS ARE ONLY FOR REFERENCE, UNLESS NOTED. TOLERANCES ARE:		DO NOT SCALE PRINT	
NO PLACES	±0.04	ONE PLACE	±0.05
TWO PLACES	±0.01	TWO PLACES	±0.005
THREE PLACES	±0.0005	THREE PLACES	±0.0002
ANGLES	±2'	ANGLES	±2'
WEIGHT		WEIGHT	



Компания «ЭлектроПласт» предлагает заключение долгосрочных отношений при поставках импортных электронных компонентов на взаимовыгодных условиях!

Наши преимущества:

- Оперативные поставки широкого спектра электронных компонентов отечественного и импортного производства напрямую от производителей и с крупнейших мировых складов;
- Поставка более 17-ти миллионов наименований электронных компонентов;
- Поставка сложных, дефицитных, либо снятых с производства позиций;
- Оперативные сроки поставки под заказ (от 5 рабочих дней);
- Экспресс доставка в любую точку России;
- Техническая поддержка проекта, помощь в подборе аналогов, поставка прототипов;
- Система менеджмента качества сертифицирована по Международному стандарту ISO 9001;
- Лицензия ФСБ на осуществление работ с использованием сведений, составляющих государственную тайну;
- Поставка специализированных компонентов (Xilinx, Altera, Analog Devices, Intersil, Interpoint, Microsemi, Aeroflex, Peregrine, Syfer, Eurofarad, Texas Instrument, Miteq, Cobham, E2V, MA-COM, Hittite, Mini-Circuits, General Dynamics и др.);

Помимо этого, одним из направлений компании «ЭлектроПласт» является направление «Источники питания». Мы предлагаем Вам помощь Конструкторского отдела:

- Подбор оптимального решения, техническое обоснование при выборе компонента;
- Подбор аналогов;
- Консультации по применению компонента;
- Поставка образцов и прототипов;
- Техническая поддержка проекта;
- Защита от снятия компонента с производства.



Как с нами связаться

Телефон: 8 (812) 309 58 32 (многоканальный)

Факс: 8 (812) 320-02-42

Электронная почта: org@eplast1.ru

Адрес: 198099, г. Санкт-Петербург, ул. Калинина, дом 2, корпус 4, литера А.