

SIDE ROTARY

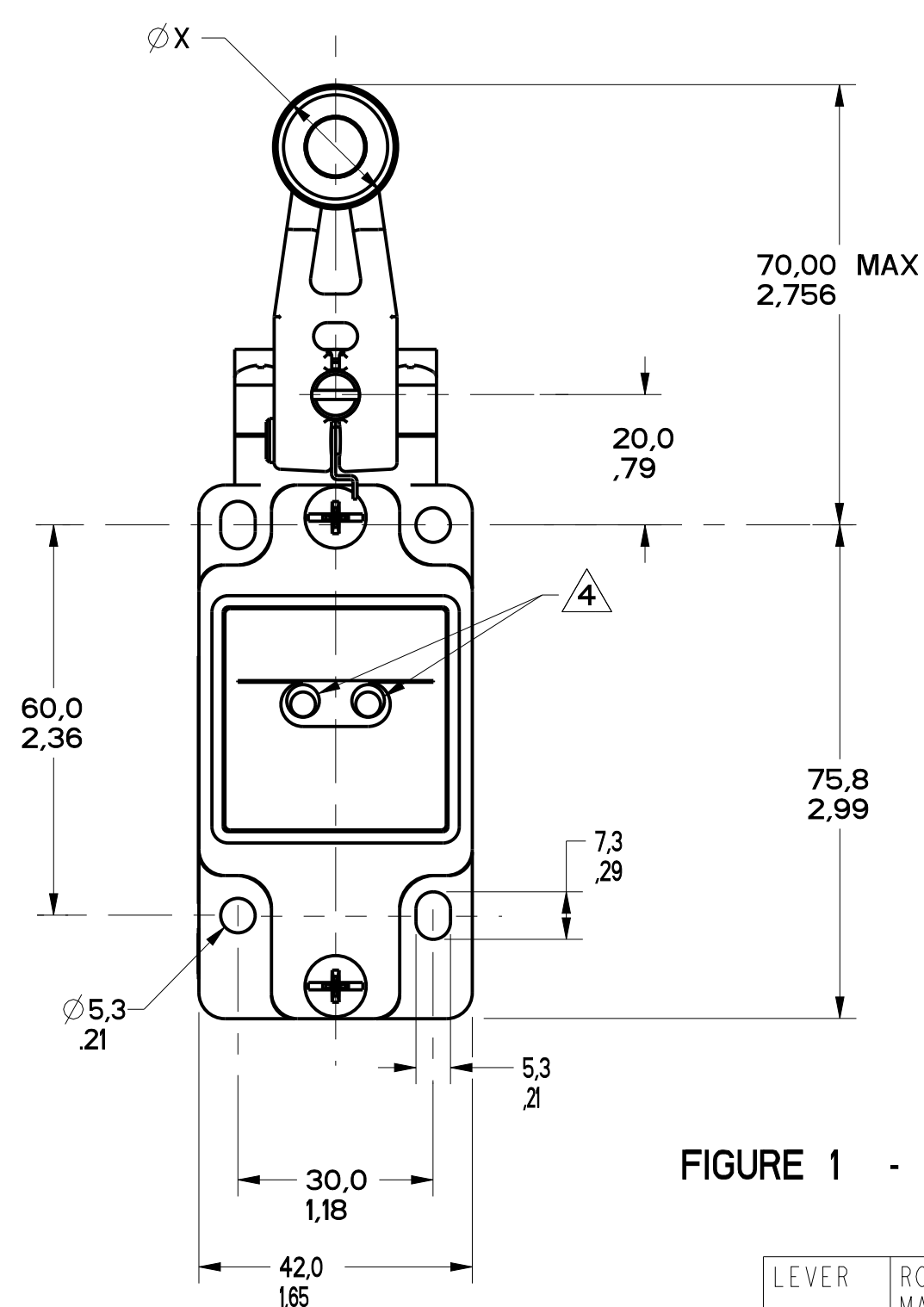
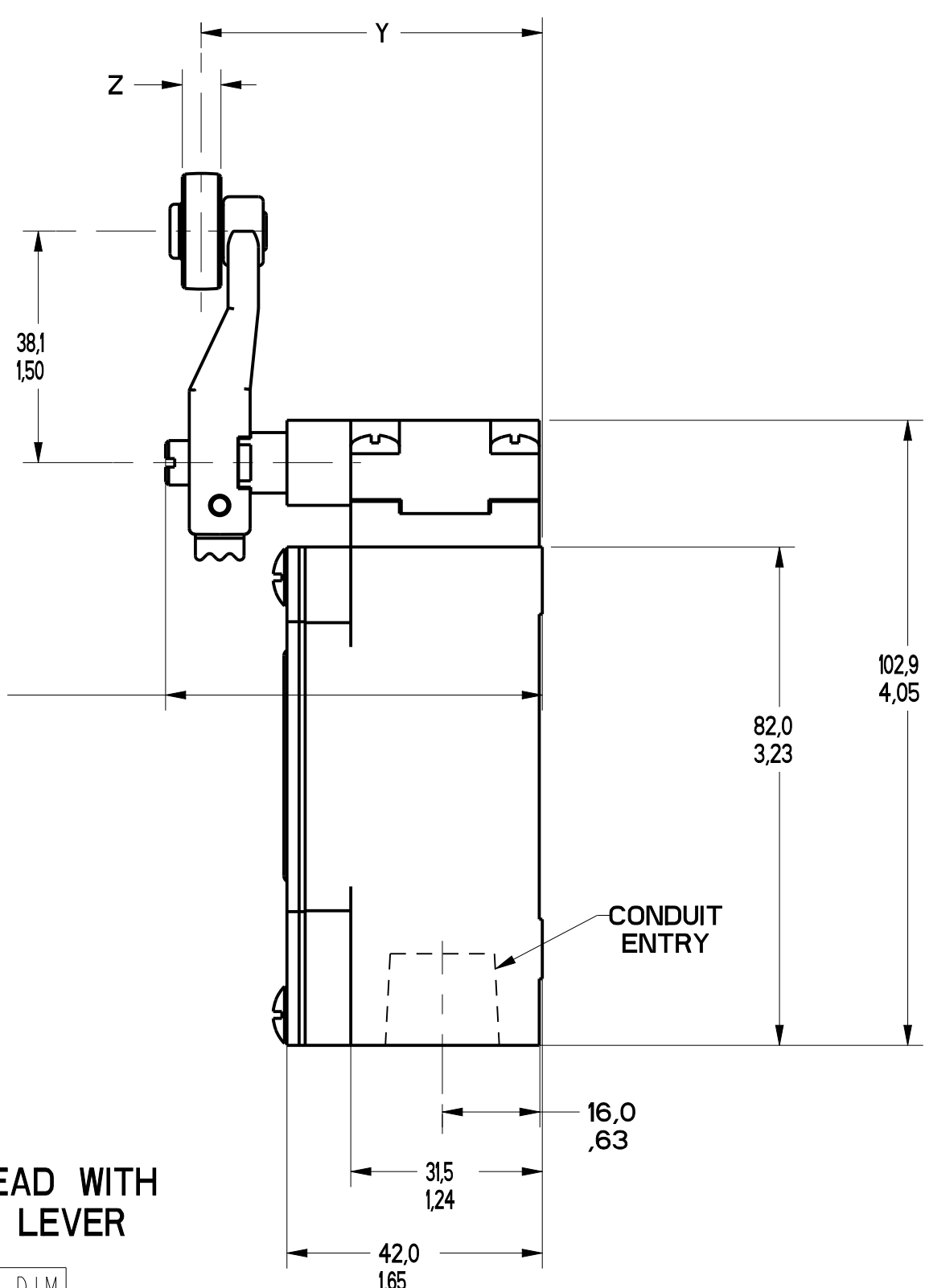


FIGURE 1 - SIDE ROTARY HEAD WITH GLZ51 SERIES LEVER

LEVER	ROLLER MATL	X DIM	Y DIM	Z DIM
GLZ51A	NYLON	19.1 .75	55.9 2.20	6.4 .25
GLZ51B	STEEL	19.1 .75	55.9 2.20	6.4 .25
GLZ51C	NYLON	24.5 1.00	59.1 2.33	12.7 .50
GLZ51Y	RUBBER	50.0 1.97	66.1 2.60	10.0 .39
GLZ51T	STAINLESS STEEL	19.1 .75	56.8 2.24	8.8 .345



GLZ54J: 200.00 / 7.870 MAX
GLZ54K: 140.00 / 5.510 MAX
ALUMINUM ROD

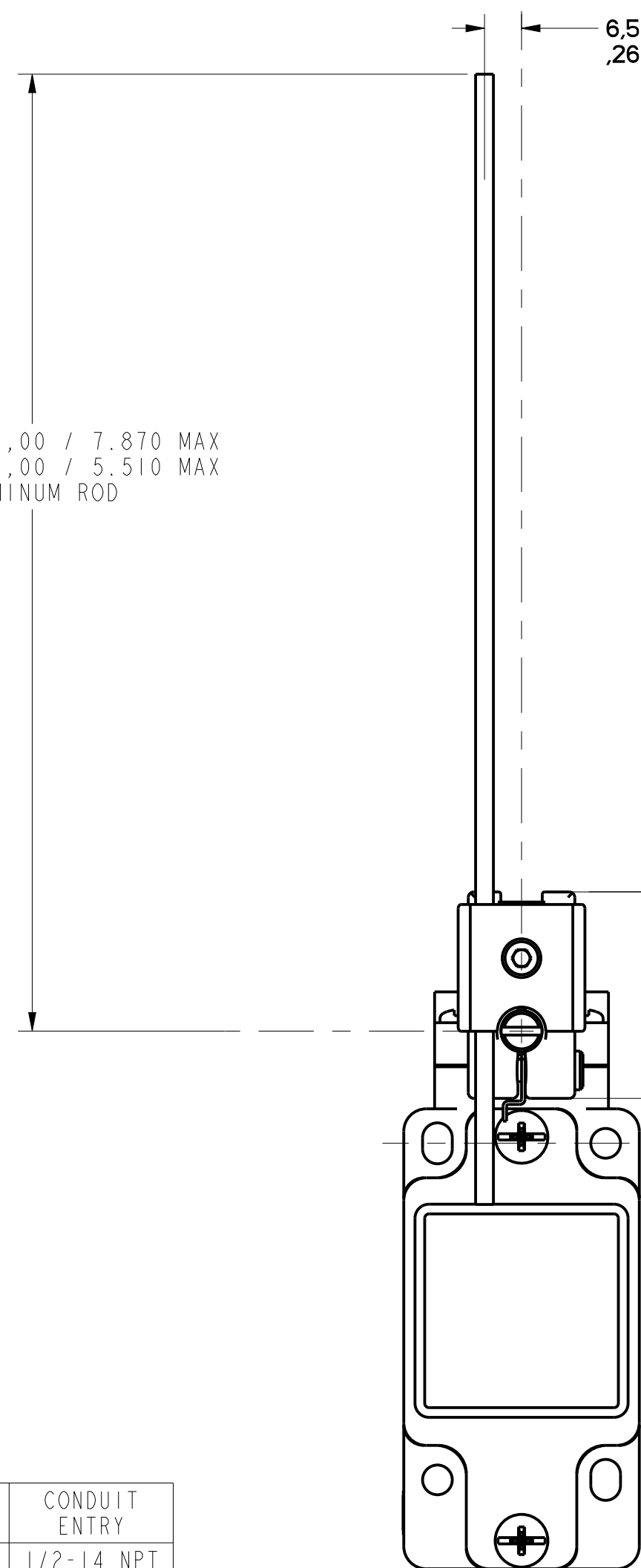


FIGURE 2 - SIDE ROTARY HEAD WITH GLZ54 SERIES LEVER OTHERWISE REFER TO FIGURE 1

FIGURE	CATALOG LISTING	CONDUIT ENTRY
1A	GL*A SERIES	1/2-14 NPT
1B	GL*B SERIES	PG13.5
1C	GL*C SERIES	20mm
1D	GL*D SERIES	PF1/2

ELECTRICAL RATING				GOLD PLATED CONTACTS
AC		DC		
A600	AC15	0300	DC13	1V 10µA MIN 50V 100mA MAX
Ue	Ie	Ue	Ie	
(VOLTS)	(AMPS)	(VOLTS)	(AMPS)	
120	6	24	2.8	
240	3	125	.55	
380	1.9	250	.27	
480	1.5			
500	1.4			
600	1.2			

ENVIRONMENTAL RATING
IP67
NEMA/UL TYPES 1, 4, 12, 13

CATALOG LISTING	BODY DIMENSIONS, FIGURE	HEAD DIMENSIONS, FIGURE	HEAD ACTUATION, FIGURE
GLA****	I	N/A	N/A
GLF****	I	N/A	N/A
GLH****	I	N/A	N/A
GLA****	1A	N/A	N/A
GLB****	1B	N/A	N/A
GLC****	1C	N/A	N/A
GLD****	1D	N/A	N/A
GL****A1*	I	1	8
GL****A2*	I	3	9
GL****A4*	I	2	10
GL****A5*	I		8
GL****B	I	4	11
GL****C	I	5	13A, 13B
GL****D	I	6	14A, 14B
GL****E7A	I	7A	12
GL****E7B	I	7	12
GL****E7C	I	7E	15
GL****E7D	I	7B	12
GL****K8A	I	7C	15
GL****K8B	I	7D	15
GL****K8C	I	7	15

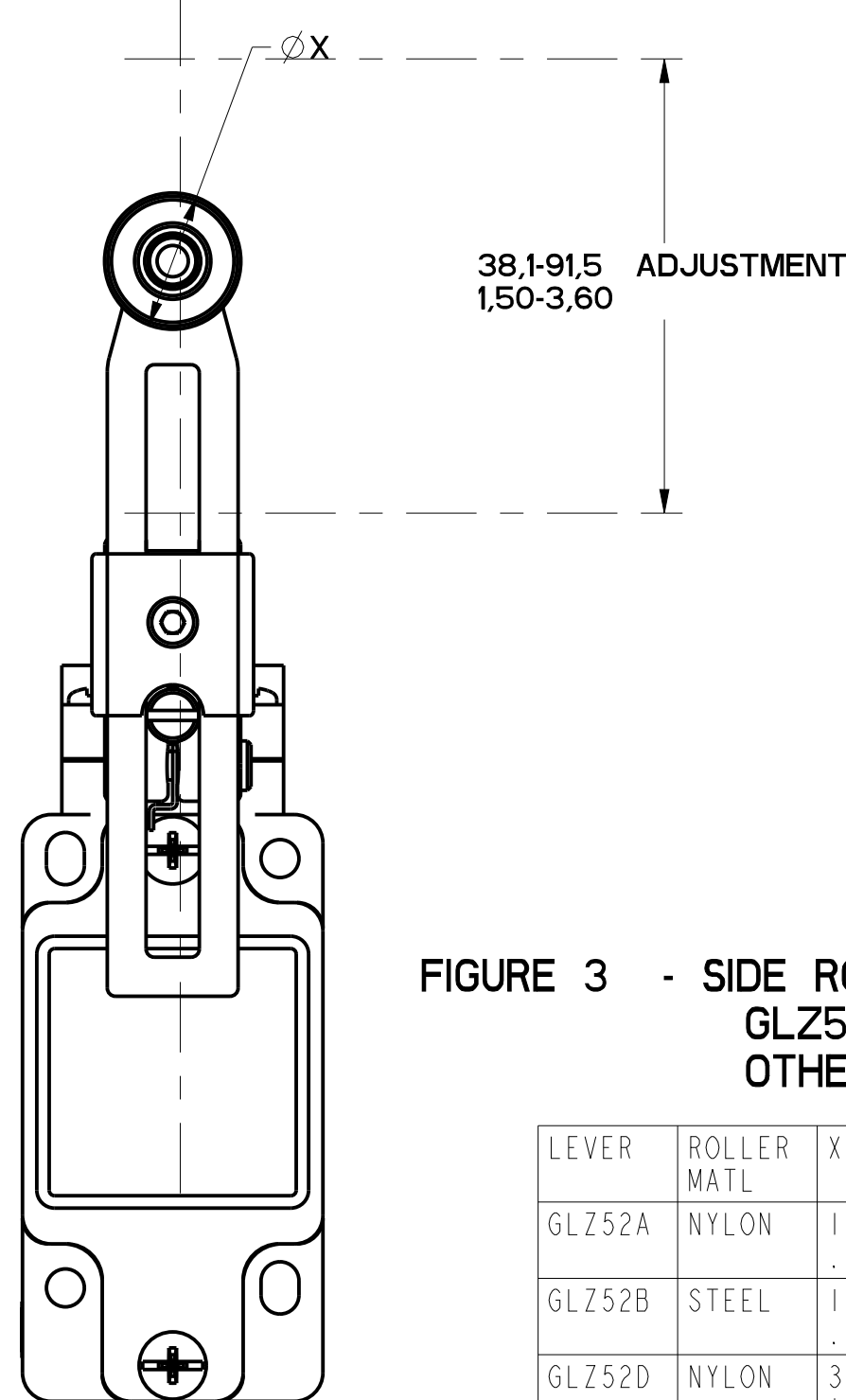
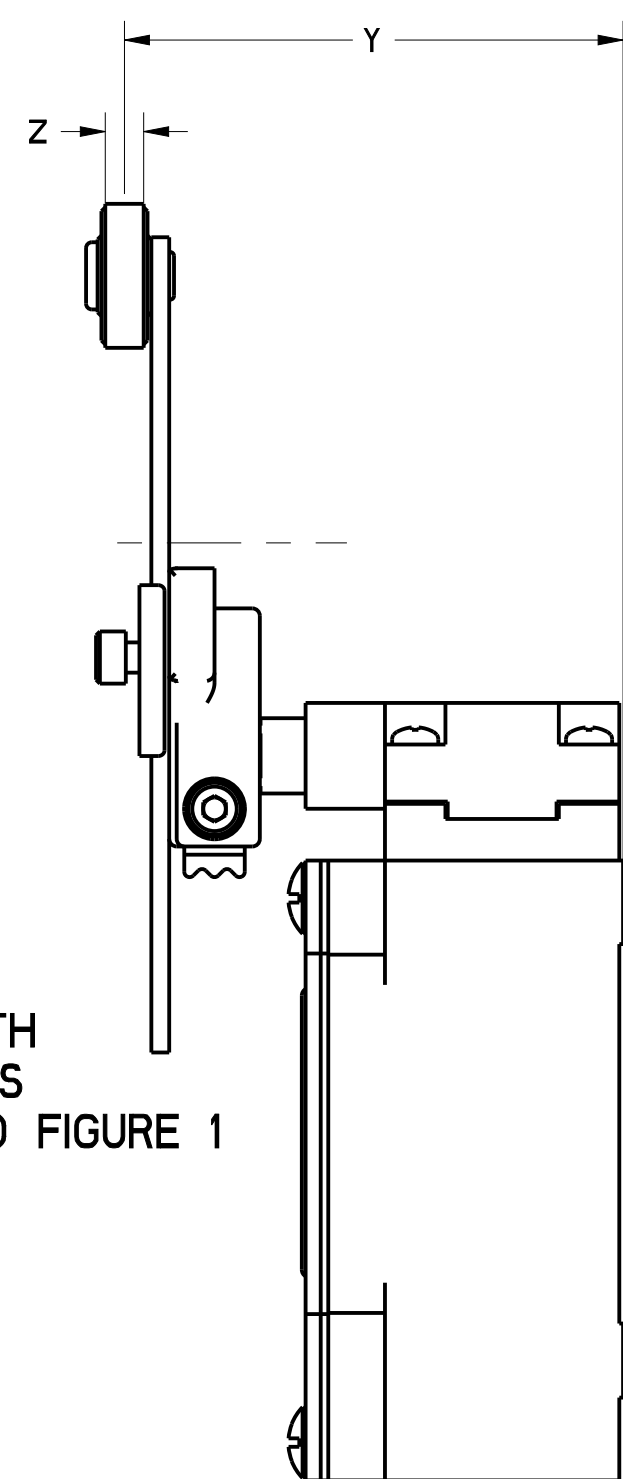


FIGURE 3 - SIDE ROTARY HEAD WITH GLZ52 SERIES LEVERS OTHERWISE REFER TO FIGURE 1

LEVER	ROLLER MATL	X DIM	Y DIM	Z DIM
GLZ52A	NYLON	19.1 .75	65.9 2.59	6.4 .25
GLZ52B	STEEL	19.1 .75	65.9 2.59	6.4 .25
GLZ52D	NYLON	38.1 1.5	65.9 2.59	6.4 .25
GLZ52E	NYLON	19.1 .75	79.37 3.125	33.07 1.300
GLZ52W	RUBBER	40.0 1.6	71.5 2.81	12.7 .5
GLZ52Y	RUBBER	50.0 1.97	68.8 2.71	10.0 .39



NOTES
 1 - HEADS MAY BE INDEXED IN 90° INCREMENTS
 2 - LEVERS MAY BE KEYED TO THE SHAFT AT 90° INCREMENTS. THEY MAY ALSO BE ATTACHED, BUT NOT KEYED ANYWHERE ON THE SHAFT.
 3 - FOR ADDITIONAL LEVERS SEE "M" DRAWING CHART GLZ5
 4 - THE LEFT INDICATOR IS GREEN AND INDICATES "POWER ON" IT IS ON GLH SERIES PRODUCTS ONLY. THE RIGHT INDICATOR IS YELLOW AND INDICATES "OUTPUT STATUS" IT IS ON GLF AND GLH SERIES PRODUCTS ONLY.
 5 - THE MAXIMUM VOLTAGE, V_e OF GLF AND GLH SERIES PRODUCTS IS THE MAXIMUM RATED VOLTAGE OF INDICATION LIGHTS
 6 - FREE POSITION, OPERATE POINT, OVERTRAVEL AND PRETRAVEL ALL TO EN50041
 7 - CAM TRAVEL FOR FIG 9 ONLY APPLIES WHEN LEVER IS ADJUSTED TO 38.1 / 1.50
 8 - THE MAXIMUM VOLTAGE, V_e OF "06" AND "36" BASIC SWITCH CODE IS 300V (A300)
 9 - TEMPERATURE RANGE
 (ALL PRODUCTS EXCEPT W/SIDE ROTARY OPERATING HEAD)
 OPERATING: -25°C TO +85°C / -13°F TO +185°F
 STORAGE: -40°C TO +85°C / -40°F TO +185°F
 (PRODUCTS W/SIDE ROTARY OPERATING HEAD)
 OPERATING: -40°C TO +85°C / -40°F TO +185°F
 STORAGE: -40°C TO +85°C / -40°F TO +185°F

THIS DRAWING COVERS A PROPRIETARY ITEM AND IS THE PROPERTY OF MICRO SWITCH, A DIVISION OF HONEYWELL. THIS DRAWING IS NOT TO BE COPIED OR USED WITHOUT THE APPROVAL OF MICRO SWITCH.
 FED. MFG. CODE 91929
MICRO SWITCH
 a Honeywell Division
SWITCH, ENCLOSED
GL SERIES CHART 1

THIRD ANGLE PROJECTION
 SCALE 1:1
 DO NOT SCALE PRINT
 TOLERANCES
 APPLY TO DESIGN UNITS. CONVERSIONS ARE ONLY FOR REFERENCE, UNLESS NOTED. TOLERANCES ARE:
 DIM TOL. DIM TOL.
 NO PLACES .015 .015
 TWO PLACES .015 .015
 THREE PLACES .015 .015
 ANGLES ±2°
 DESIGN UNITS SI METRIC US CUSTOMARY
 WEIGHT

MGL SERIES CHART 1
 DRAWING NUMBER 1 OF 13
 RELEASE NO. PR-201782
 ISSUE 16
 CHECKED CMH
 DATE 05/03/10
 APPROVED DVM
 DATE 02/10/06
 PTC/CAD
 S. A. V. 2/MAR/06
 DATE 02/10/06
 PTC/CAD
 S. A. V. 2/MAR/06
 DATE 02/10/06

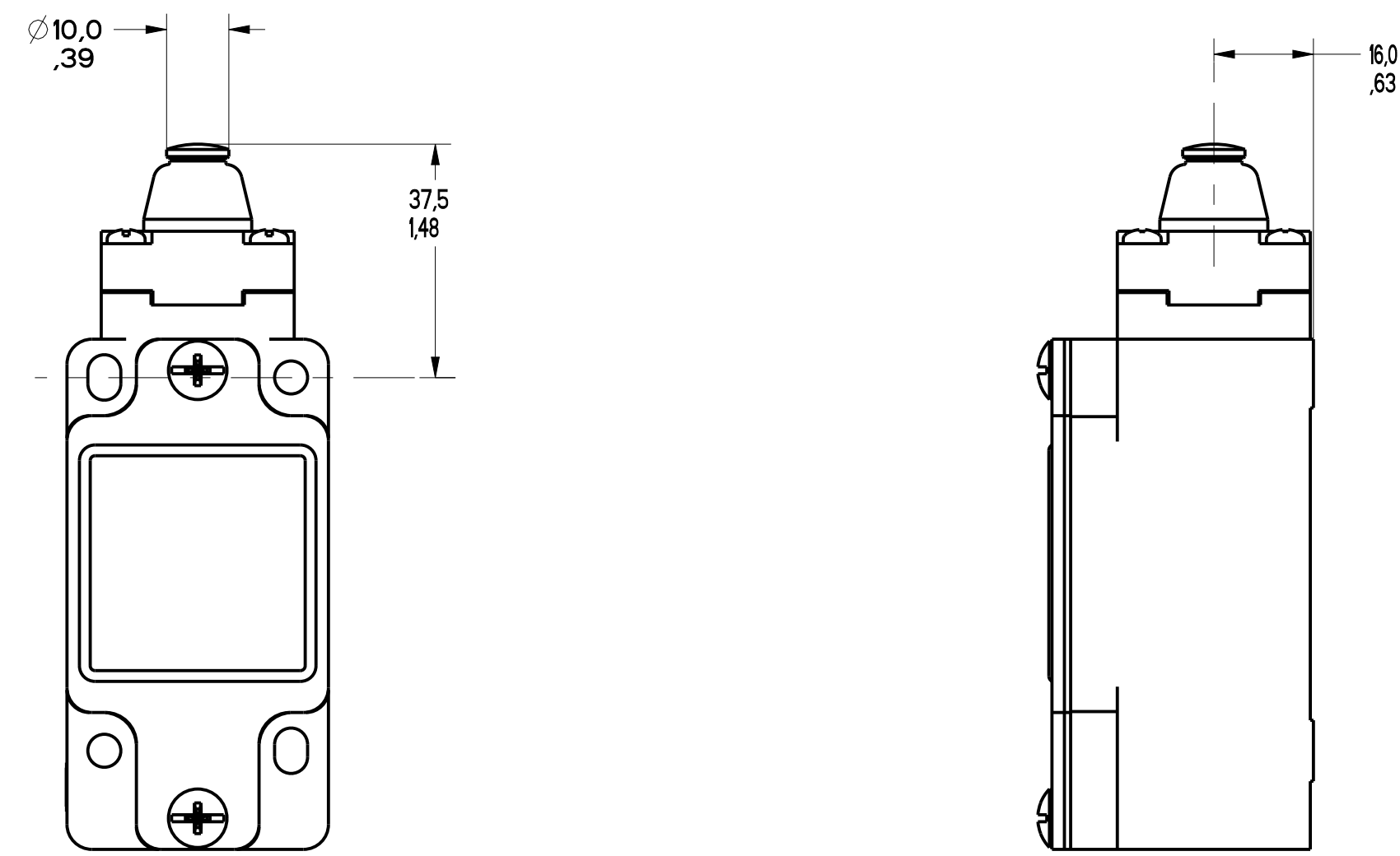


FIGURE 4 - TOP PIN PLUNGER HEAD
OTHERWISE REFER TO
FIGURE 1

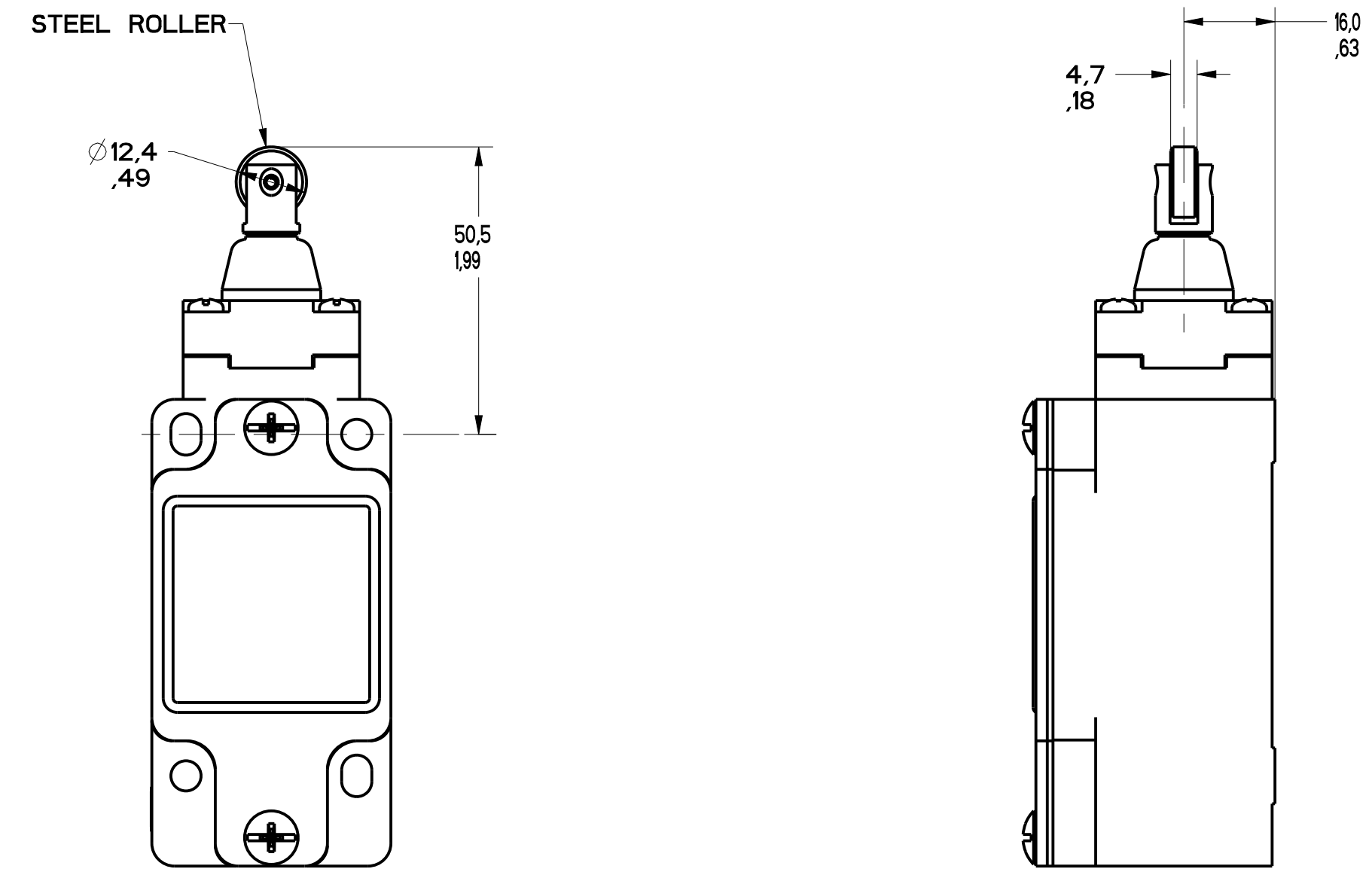


FIGURE 5 - TOP ROLLER PLUNGER HEAD
OTHERWISE REFER TO
FIGURE 1

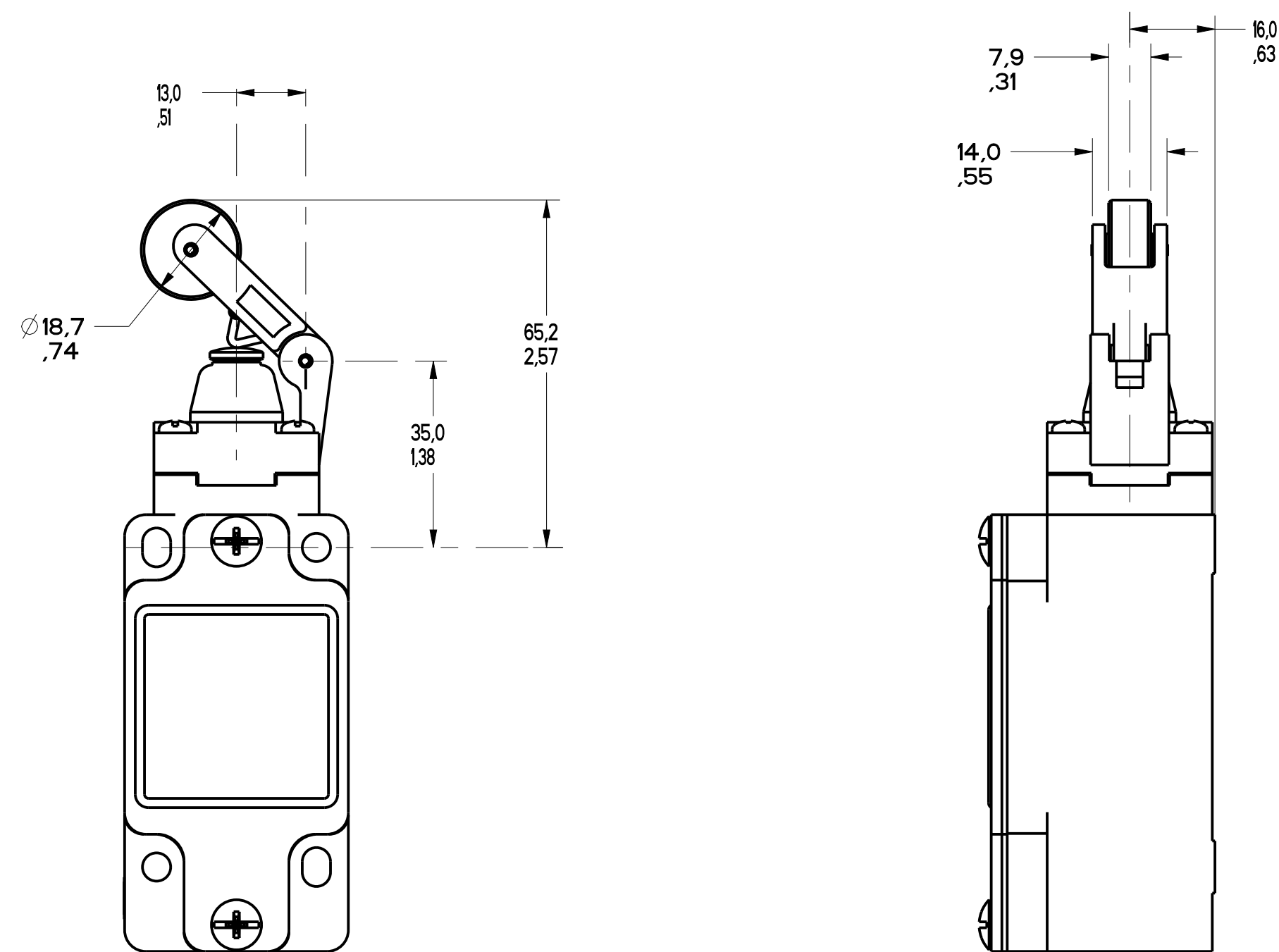


FIGURE 6 - TOP LEVER HEAD,
OTHERWISE REFER TO
FIGURE 1

MGL SERIES CHART 1
 DRAWING NUMBER: 2 OF 13
 RELEASE NO. PR-20782
 ISSUE: 16
 CHECK: CMH
 DATE: 05 OCT 10
 CHECK: CMH
 DATE: 26 AUG 93
 CHECK: G.H.
 DATE: 12 OCT 12
 P.T.C./CAD
 W.L.S.

REV	DATE	BY	CHKD	DESCRIPTION
1	000040	CMH	CMH	REVISED
2	000041	CMH	CMH	REVISED
3	000286	CMH	CMH	REVISED
4	002275	CMH	CMH	REVISED
5	003716	CMH	CMH	REVISED
6	004309	CMH	CMH	REVISED
7	004695	CMH	CMH	REVISED
8	004800	CMH	CMH	REVISED
9	004805	CMH	CMH	REVISED
10	004806	CMH	CMH	REVISED
11	004807	CMH	CMH	REVISED
12	004808	CMH	CMH	REVISED
13	004809	CMH	CMH	REVISED
14	004810	CMH	CMH	REVISED
15	004811	CMH	CMH	REVISED
16	004812	CMH	CMH	REVISED

THIS DRAWING COVERS A PROPRIETARY ITEM AND IS THE PROPERTY OF MICRO SWITCH, A DIVISION OF HONEYWELL. THIS DRAWING IS NOT TO BE COPIED OR USED WITHOUT THE APPROVAL OF MICRO SWITCH.

FED. MFG. CODE 91929 CATALOG LISTING

MICRO SWITCH
a Honeywell Division

SWITCH, ENCLOSED

GL SERIES CHART 1

DESIGN UNITS: SI METRIC US CUSTOMARY

WEIGHT

NO. PLACES	1X	1/2	1/4	0.01	0.01	0.01
ONE PLACE	1X	1/2	1/4	0.01	0.01	0.01
TWO PLACES	1X	1/2	1/4	0.01	0.01	0.01
THREE PLACES	1X	1/2	1/4	0.01	0.01	0.01

THIRD ANGLE PROJECTION

SCALE: 1:1

DO NOT SCALE PRINT

TOLERANCES

APPLY TO DESIGN UNITS. CONVERSIONS ARE ONLY FOR REFERENCE. UNLESS NOTED, TOLERANCES ARE:

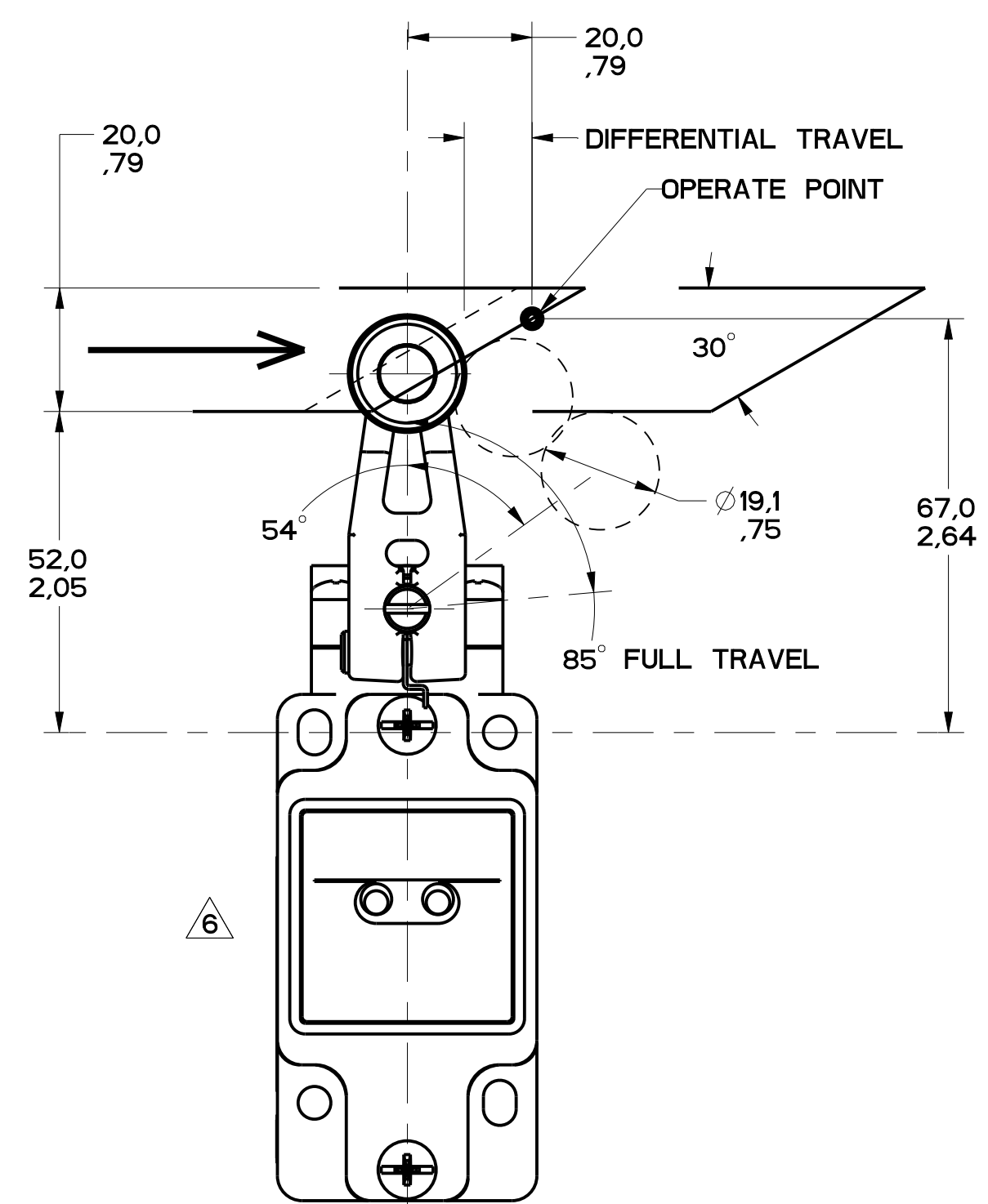


FIGURE 8

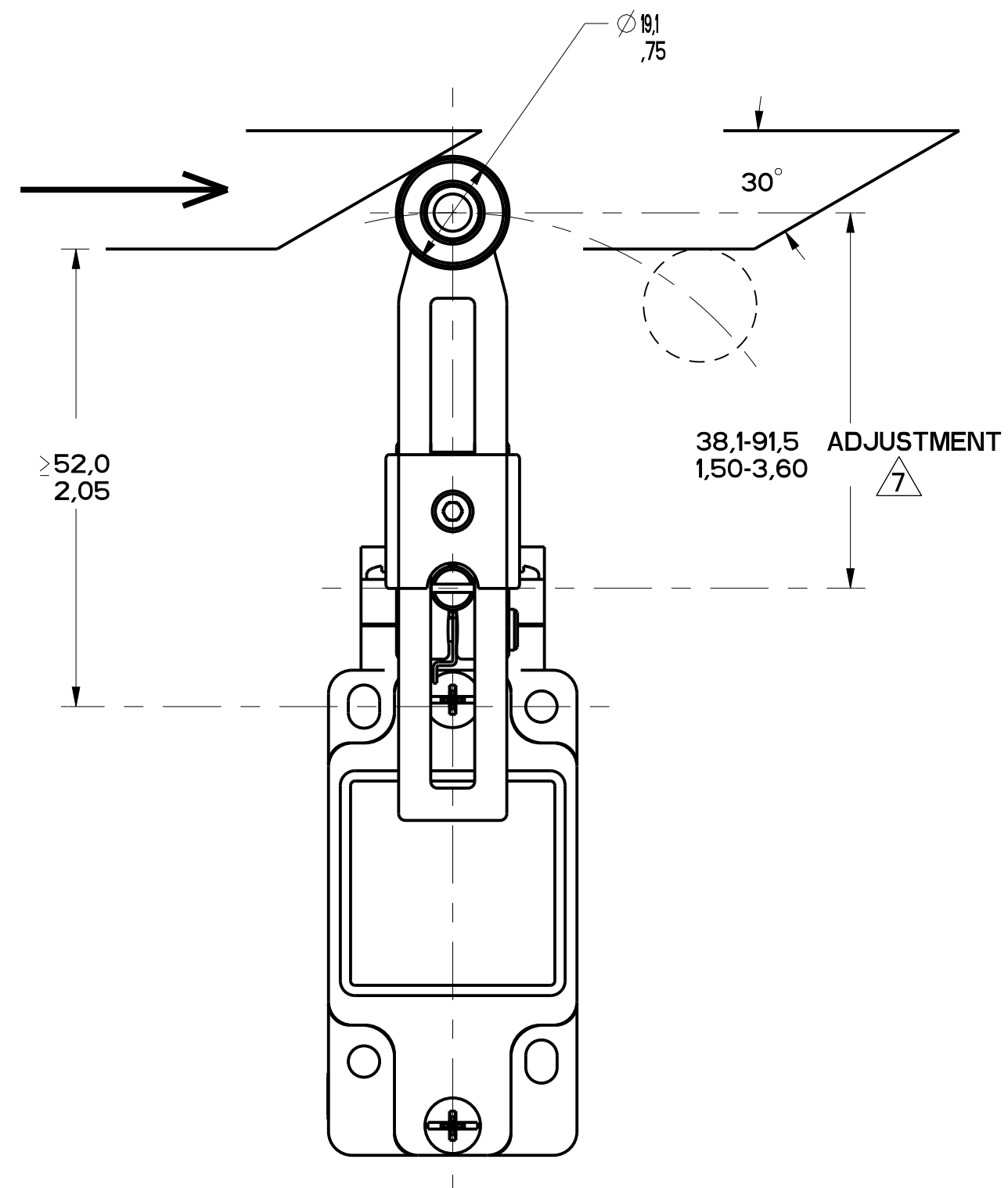


FIGURE 9

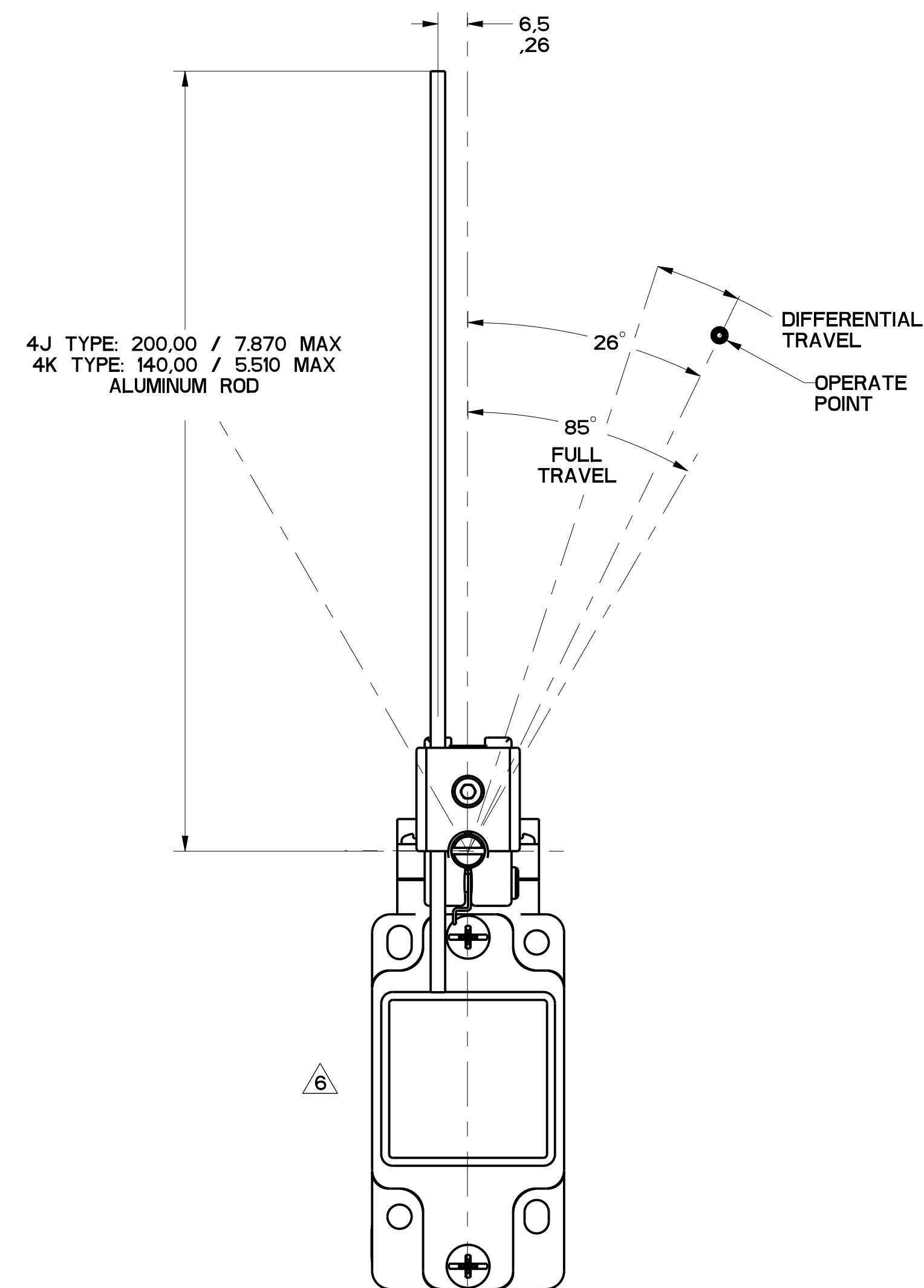


FIGURE 10

MGL SERIES CHART 1
PAGE 4 OF 13

ISSUE	16
DRAWING NUMBER	1200112
DATE	01/13
DESIGNER	CMH
CHECKER	CMH
RELEASE NO.	PR-20782
REV	DESCRIPTION
1	0205041
2	01/13
3	0027886
4	20 JAN 84
5	0223759
6	07/16/86
7	03/12/16
8	08/11/88
9	04/26/29
10	05/08
11	04/26/05
12	07/28/09
13	07/30/09
14	08/01/10
15	08/01/10
16	12/01/12

THIS DRAWING COVERS A PROPRIETARY ITEM AND IS THE PROPERTY OF MICRO SWITCH, A DIVISION OF HONEYWELL. THIS DRAWING IS NOT TO BE COPIED OR USED WITHOUT THE APPROVAL OF MICRO SWITCH.

FED. MFG. CODE 91929 CATALOG LISTING

MICRO SWITCH
a Honeywell Division

SWITCH, ENCLOSED

GL SERIES CHART 1

THIRD ANGLE PROJECTION			
SCALE 1:1			
DO NOT SCALE PRINT			
TOLERANCES			
APPLY TO DESIGN UNITS. CONCESSIONS ARE ONLY FOR REFERENCE UNLESS NOTED. TOLERANCES ARE:			
NO PLACES	X	12.00	0.01
ONE PLACE	X, XX	0.40/0.16	0.001/0.05
TWO PLACES	X, XX	0.15/0.008	0.0005/0.015
THREE PLACES	X, XX		0.0001/0.005
ANGLES		±2'	
DESIGN UNITS	SI METRIC <input checked="" type="checkbox"/>		US CUSTOMARY <input type="checkbox"/>
WEIGHT			

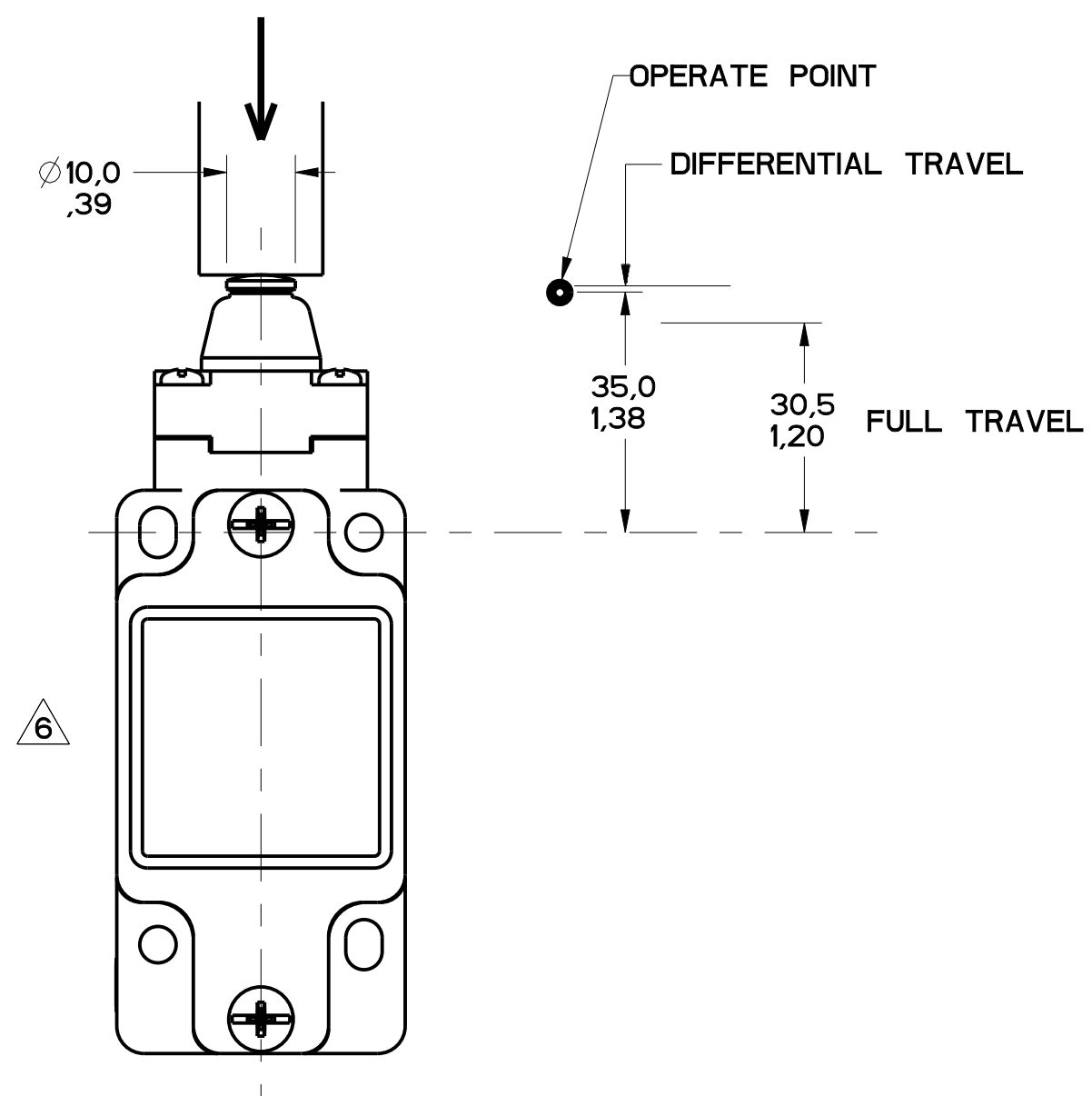


FIGURE 11

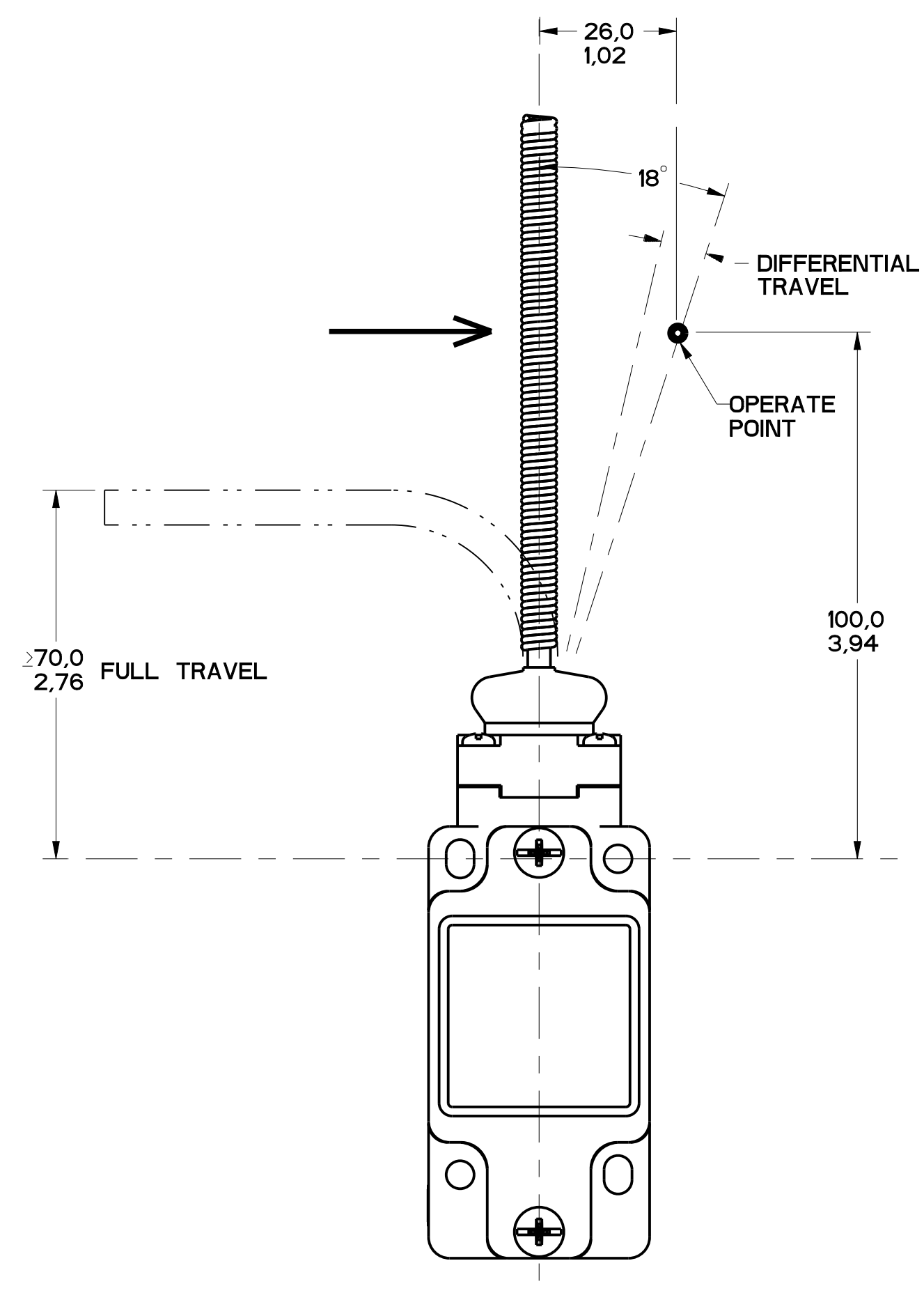


FIGURE 12

MGL SERIES CHART 1
 DRAWING NUMBER: 6 OF 13
 RELEASE NO. PR-20782
 PAGES: 16
 ISSUE: CMH
 CHECK: CMH
 DATE: 05 OCT 10
 CHECK: CMH
 DATE: 20 JAN 84
 HONOLULU: 0223759
 HONOLULU: 0746586
 HONOLULU: 0337216
 HONOLULU: 0443629
 HONOLULU: 0557108
 HONOLULU: 0448605
 HONOLULU: 0077809
 HONOLULU: 0075058
 HONOLULU: 0001110
 HONOLULU: 0094570
 HONOLULU: 1202112
 P.T.C./CAD: 3D
 DRAWN: W.L.S.
 CHECK: G.H.
 DATE: 26 AUG 93

THIS DRAWING COVERS A PROPRIETARY ITEM AND IS THE PROPERTY OF MICRO SWITCH, A DIVISION OF HONEYWELL. THIS DRAWING IS NOT TO BE COPIED OR USED WITHOUT THE APPROVAL OF MICRO SWITCH.		FEDERAL MANUFACTURING CODE 91929		CATALOG LISTING	
MICRO SWITCH a Honeywell Division		SWITCH, ENCLOSED		GL SERIES CHART 1	
DESIGN UNITS: <input checked="" type="checkbox"/> SI METRIC <input type="checkbox"/> US CUSTOMARY		TOLERANCES: <input checked="" type="checkbox"/> ±Z <input type="checkbox"/> ±Z		WEIGHT:	

THIRD ANGLE PROJECTION				
DO NOT SCALE PRINT				
TOLERANCES				
APPLY TO DESIGN UNITS. CONCESSIONS ARE ONLY FOR REFERENCE, UNLESS NOTED. TOLERANCES ARE:				
NO PLACES	X	12.04	X, Y	0.01, 0.05
ONE PLACE	X, Y, Z	0.01, 0.04	X, Y, Z	0.01, 0.05
TWO PLACES	X, Y, Z	0.01, 0.04	X, Y, Z	0.01, 0.05
THREE PLACES	X, Y, Z	0.01, 0.04	X, Y, Z	0.01, 0.05
ANGLES				

FIGURES 11, PIN PLUNGER HEAD, LINEAR ACTUATION

CATALOG LISTING	CONTACT BLOCK DIAGRAM	NOMINAL TRAVELS AND RELATED TERMINALS ■ CONTACT CLOSED, □ CONTACT OPEN, ▨ CONTACT CLOSED DIFFERENTIAL TRAVEL, ** POSITIVE OPENING TO IEC 947-5-1	MAXIMUM OPERATING FORCE $\frac{N}{LB}$	MAXIMUM DISCONNECT FORCE $\frac{N}{LB}$	MAX OPERATE VEL $\frac{m}{s}$ $\frac{in}{s}$	MIN OPERATE VEL $\frac{mm}{s}$ $\frac{in}{s}$	MAX OPERATE FREQUENCY OPS/MIN
GL**01B GL**07B	SNAP - ACTION CONTACTS SINGLE POLE 	37.5 35 33** 30.5 21-22 13-14 0.9 DIFFERENTIAL TRAVEL	$\frac{16}{3.6}$	$\frac{27}{6.0}$	$\frac{0.1}{3.9}$	$\frac{1.0}{.04}$	250
GL**03B GL**33B	SLOW ACTING BREAK BEFORE MAKE 	37.5 35** 30.5 21-22 13-14 34	$\frac{16}{3.6}$	$\frac{27}{6.0}$	$\frac{0.1}{3.9}$	$\frac{1.0}{.04}$	250
GL**04B GL**34B	SLOW ACTING MAKE BEFORE BREAK 	37.5 34** 30.5 21-22 13-14 35	$\frac{16}{3.6}$	$\frac{27}{6.0}$	$\frac{0.1}{3.9}$	$\frac{1.0}{.04}$	250
GL**05B GL**35B	SLOW ACTING 	37.5 34 30.5 13-14 23-24	$\frac{16}{3.6}$	$\frac{27}{6.0}$	$\frac{0.1}{3.9}$	$\frac{1.0}{.04}$	250
GL**06B GL**36B	SLOW ACTING 	37.5 35** 30.5 11-12 21-22 34	$\frac{16}{3.6}$	$\frac{27}{6.0}$	$\frac{0.1}{3.9}$	$\frac{1.0}{.04}$	250
GL**20B GL**22B GL**24B GL**32B	SNAP ACTION CONTACTS DOUBLE POLE 	37.5 35 33** 30.5 11-12, 21-22 13-14, 23-24 0.9 DIFFERENTIAL TRAVEL	$\frac{16}{3.6}$	$\frac{37}{8.2}$	$\frac{0.1}{3.9}$	$\frac{1.0}{.04}$	250
GL**21B GL**25B GL**28B GL**31B	STEP 1 STEP 2 SNAP ACTION CONTACTS DOUBLE POLE SEQUENTIAL 	37.5 35 33.8 30.5 11-12 13-14 21-22 23-24 .8 DIFFERENTIAL TRAVEL	$\frac{16}{3.6}$	N/A	$\frac{0.1}{3.9}$	$\frac{1.0}{.04}$	250

FIGURE 12, WOBBLE HEAD, ANGULAR ACTUATION

CATALOG LISTING	CONTACT BLOCK DIAGRAM	NOMINAL TRAVELS AND RELATED TERMINALS ■ CONTACT CLOSED, □ CONTACT OPEN, ▨ CONTACT CLOSED DIFFERENTIAL TRAVEL, ** POSITIVE OPENING TO IEC 947-5-1	MAXIMUM OPERATING TORQUE $\frac{N-m}{LB/in}$	MAXIMUM DISCONNECT TORQUE $\frac{N-m}{LB/in}$	MAX OPERATE DEGREE/S	MIN OPERATE VELOCITY DEGREE/S	MAX OPERATE RATE CYCLES/MIN
GL**01E GL**07E	SNAP - ACTION CONTACTS SINGLE POLE 	21-22 13-14 18° 8° DIFFERENTIAL TRAVEL	$\frac{0.2}{1.8}$	N/A	360	8	100
GL**03E GL**33E	SLOW ACTING BREAK BEFORE MAKE 	21-22 13-14 0° 18° 25° 35°	$\frac{0.2}{1.8}$	N/A	360	8	100
GL**04E GL**34E	SLOW ACTING MAKE BEFORE BREAK 	21-22 13-14 0° 18° 25° 35°	$\frac{0.2}{1.8}$	N/A	360	8	100
GL**05E GL**35E	SLOW ACTING 	13-14 23-24 0° 25° 35°	$\frac{0.2}{1.8}$	N/A	360	8	100
GL**06E GL**36E	SLOW ACTING 	11-12 21-22 0° 18° 35°	$\frac{0.2}{1.8}$	N/A	360	8	100
GL**20E GL**22E GL**24E GL**32E	SNAP ACTION CONTACTS DOUBLE POLE 	11-12, 21-22 13-14, 23-24 18° 8° DIFFERENTIAL TRAVEL	$\frac{0.2}{1.8}$	N/A	360	8	100

FIGURE 12, WOBBLE HEAD, SIDE ACTUATION AT 100mm

CATALOG LISTING	CONTACT BLOCK DIAGRAM	NOMINAL TRAVELS AND RELATED TERMINALS ■ CONTACT CLOSED, □ CONTACT OPEN, ▨ CONTACT CLOSED DIFFERENTIAL TRAVEL, ** POSITIVE OPENING TO IEC 947-5-1	MAXIMUM OPERATING FORCE $\frac{N}{LB}$	MAXIMUM DISCONNECT FORCE $\frac{N}{LB}$	MAX OPERATE VEL $\frac{m}{s}$ $\frac{in}{s}$	MIN OPERATE VEL $\frac{mm}{s}$ $\frac{in}{s}$	MAX OPERATE FREQUENCY OPS/MIN
GL**01E GL**07E	SNAP - ACTION CONTACTS SINGLE POLE 	21-22 13-14 26 12 DIFFERENTIAL TRAVEL	$\frac{2.5}{0.6}$	N/A	$\frac{.5}{19.7}$	$\frac{11}{.43}$	100
GL**03E GL**33E	SLOW ACTING BREAK BEFORE MAKE 	21-22 13-14 26.5 38.1	$\frac{2.5}{0.6}$	N/A	$\frac{.5}{19.7}$	$\frac{11}{.43}$	100
GL**04E GL**34E	SLOW ACTING MAKE BEFORE BREAK 	21-22 13-14 26.5 38.1	$\frac{2.5}{0.6}$	N/A	$\frac{.5}{19.7}$	$\frac{11}{.43}$	100
GL**05E GL**35E	SLOW ACTING 	13-14 23-24 38.1	$\frac{2.5}{0.6}$	N/A	$\frac{.5}{19.7}$	$\frac{11}{.43}$	100
GL**06E GL**36E	SLOW ACTING 	11-12 21-22 26.5	$\frac{2.5}{0.6}$	N/A	$\frac{.5}{19.7}$	$\frac{11}{.43}$	100
GL**20E GL**22E GL**24E GL**32E	SNAP ACTION CONTACTS DOUBLE POLE 	11-12, 21-22 13-14, 23-24 26	$\frac{2.5}{0.6}$	N/A	360	8	100

MGL SERIES CHART 1
 DRAWING NUMBER: 7 OF 13
 RELEASE NO. PR-201782
 CHECK: CMH
 DATE: 05 OCT 10
 CHECK: CMH
 DATE: 26 AUG 93
 PTC/CAD
 DRAWN: W.L.S.
 DATE: 20 AUG 93
 CHECK: G.H.
 DATE: 12 OCT 12

THIRD ANGLE PROJECTION

SCALE: -

DO NOT SCALE PRINT

TOLERANCES
 APPLY TO DESIGN UNITS. CONVERSIONS ARE ONLY FOR REFERENCE. UNLESS NOTED, TOLERANCES ARE:

NO. PLACES	FR.	IN.	NO. PLACES	FR.	IN.
TWO	0.0005	0.0005	TWO	0.0005	0.0005
THREE	0.0001	0.0001	THREE	0.0001	0.0001
ANGLES	± 2'	± 2'	ANGLES	± 2'	± 2'

DESIGN UNITS: SI METRIC US CUSTOMARY

THIS DRAWING COVERS A PROPRIETARY ITEM AND IS THE PROPERTY OF MICRO SWITCH, A DIVISION OF HONEYWELL. THIS DRAWING IS NOT TO BE COPIED OR USED WITHOUT THE APPROVAL OF MICRO SWITCH.

FED. MFG. CODE 91929

MICRO SWITCH
a Honeywell Division

SWITCH, ENCLOSED

CATALOG LISTING
GL SERIES CHART 1

WEIGHT

FIGURE 13A, ROLLER PLUNGER HEAD, PIN ACTUATION

CATALOG LISTING	CONTACT BLOCK DIAGRAM	NOMINAL TRAVELS AND RELATED TERMINALS ■ CONTACT CLOSED, □ CONTACT OPEN, ▨ CONTACT CLOSED DIFFERENTIAL TRAVEL, ** POSITIVE OPENING TO IEC 947-5-1	MAXIMUM OPERATING FORCE $\frac{N}{LB}$	MAXIMUM DISCONNECT FORCE $\frac{N}{LB}$	MAX OPERATE VEL $\frac{M/S}{IN/S}$	MIN OPERATE VEL $\frac{MM/S}{IN/S}$	MAX OPERATE FREQUENCY OPS/MIN
GL**01C GL**07C	SNAP - ACTION CONTACTS SINGLE POLE 		$\frac{16}{3.6}$	$\frac{27}{6.0}$	$\frac{0.1}{3.9}$	$\frac{1.0}{.04}$	250
GL**03C GL**33C	SLOW ACTING BREAK BEFORE MAKE 		$\frac{16}{3.6}$	$\frac{27}{6.0}$	$\frac{0.1}{3.9}$	$\frac{1.0}{.04}$	250
GL**04C GL**34C	SLOW ACTING MAKE BEFORE BREAK 		$\frac{16}{3.6}$	$\frac{27}{6.0}$	$\frac{0.1}{3.9}$	$\frac{1.0}{.04}$	250
GL**05C GL**35C	SLOW ACTING 		$\frac{16}{3.6}$	$\frac{27}{6.0}$	$\frac{0.1}{3.9}$	$\frac{1.0}{.04}$	250
GL**06C GL**36C	SLOW ACTING 		$\frac{16}{3.6}$	$\frac{27}{6.0}$	$\frac{0.1}{3.9}$	$\frac{1.0}{.04}$	250
GL**20C GL**22C GL**24C GL**32C	SNAP ACTION CONTACTS DOUBLE POLE 		$\frac{16}{3.6}$	$\frac{37}{8.2}$	$\frac{0.1}{3.9}$	$\frac{1.0}{.04}$	250
GL**21C GL**25C GL**28C GL**31C	STEP 1 STEP 2 SNAP ACTION CONTACTS DOUBLE POLE SEQUENTIAL 		$\frac{16}{3.6}$	N/A	$\frac{0.1}{3.9}$	$\frac{1.0}{.04}$	250

FIGURE 13B, TOP ROLLER PLUNGER HEAD, CAM ACTUATION PER EN50041

CATALOG LISTING	CONTACT BLOCK DIAGRAM	NOMINAL TRAVELS AND RELATED TERMINALS ■ CONTACT CLOSED, □ CONTACT OPEN, ▨ CONTACT CLOSED DIFFERENTIAL TRAVEL, ** POSITIVE OPENING TO IEC 947-5-1	MAXIMUM OPERATING FORCE $\frac{N}{LB}$	MAXIMUM DISCONNECT FORCE $\frac{N}{LB}$	MAX OPERATE VEL $\frac{M/S}{IN/S}$	MIN OPERATE VEL $\frac{MM/S}{IN/S}$	MAX OPERATE FREQUENCY OPS/MIN
GL**01C GL**07C	SNAP - ACTION CONTACTS SINGLE POLE 		$\frac{9.3}{2.1}$	$\frac{15.6}{3.5}$	$\frac{0.17}{6.7}$	$\frac{1.7}{.067}$	250
GL**03C GL**33C	SLOW ACTING BREAK BEFORE MAKE 		$\frac{9.3}{2.1}$	$\frac{15.6}{3.5}$	$\frac{0.17}{6.7}$	$\frac{1.7}{.067}$	250
GL**04C GL**34C	SLOW ACTING MAKE BEFORE BREAK 		$\frac{9.3}{2.1}$	$\frac{15.6}{3.5}$	$\frac{0.17}{6.7}$	$\frac{1.7}{.067}$	250
GL**05C GL**35C	SLOW ACTING 		$\frac{9.3}{2.1}$	$\frac{15.6}{3.5}$	$\frac{0.17}{6.7}$	$\frac{1.7}{.067}$	250
GL**06C GL**36C	SLOW ACTING 		$\frac{9.3}{2.1}$	$\frac{15.6}{3.5}$	$\frac{0.17}{6.7}$	$\frac{1.7}{.067}$	250
GL**20C GL**22C GL**24C GL**32C	SNAP ACTION CONTACTS DOUBLE POLE 		$\frac{9.3}{2.1}$	$\frac{21.4}{4.8}$	$\frac{0.17}{6.7}$	$\frac{1.7}{.067}$	250
GL**21C GL**25C GL**28C GL**31C	STEP 1 STEP 2 SNAP ACTION CONTACTS DOUBLE POLE SEQUENTIAL 		$\frac{9.3}{2.1}$	N/A	$\frac{0.17}{6.7}$	$\frac{1.7}{.067}$	250

MGL SERIES CHART 1
 DRAWING NUMBER: 9 OF 13
 RELEASE NO. PR-20782
 DATE: 05 OCT 12
 CHECK: CMH
 PTC/CAD: W.L.S. 05 MAR 01
 CHECK: SAV
 DATE: 08 OCT 12

REV	DATE	BY	CHKD
1	080504	WLS	WLS
2	080503	WLS	WLS
3	000786	WLS	WLS
4	200484	WLS	WLS
5	020359	WLS	WLS
6	070606	WLS	WLS
7	030716	WLS	WLS
8	080188	WLS	WLS
9	040629	WLS	WLS
10	050108	WLS	WLS
11	040605	WLS	WLS
12	070789	WLS	WLS
13	070505	WLS	WLS
14	080110	WLS	WLS
15	080450	WLS	WLS
16	120212	WLS	WLS

THIRD ANGLE PROJECTION

SCALE: -

DO NOT SCALE PRINT

TOLERANCES

APPLY TO DESIGN UNITS. CONCESSIONS ARE ONLY FOR REFERENCE UNLESS NOTED. TOLERANCES ARE:

NO PLACES	TWO PLACES	THREE PLACES	SI METRIC	US CUSTOMARY
±.04	±.01	±.005	±.13	±.005
±.01	±.005	±.002	±.05	±.002
±.005	±.002	±.001	±.02	±.001

DESIGN UNITS: SI METRIC US CUSTOMARY

WEIGHT

THIS DRAWING COVERS A PROPRIETARY ITEM AND IS THE PROPERTY OF MICRO SWITCH, A DIVISION OF HONEYWELL. THIS DRAWING IS NOT TO BE COPIED OR USED WITHOUT THE APPROVAL OF MICRO SWITCH.

FED. MFG. CODE 91929

CATALOG LISTING

MICRO SWITCH
a Honeywell Division

SWITCH, ENCLOSED

GL SERIES CHART 1

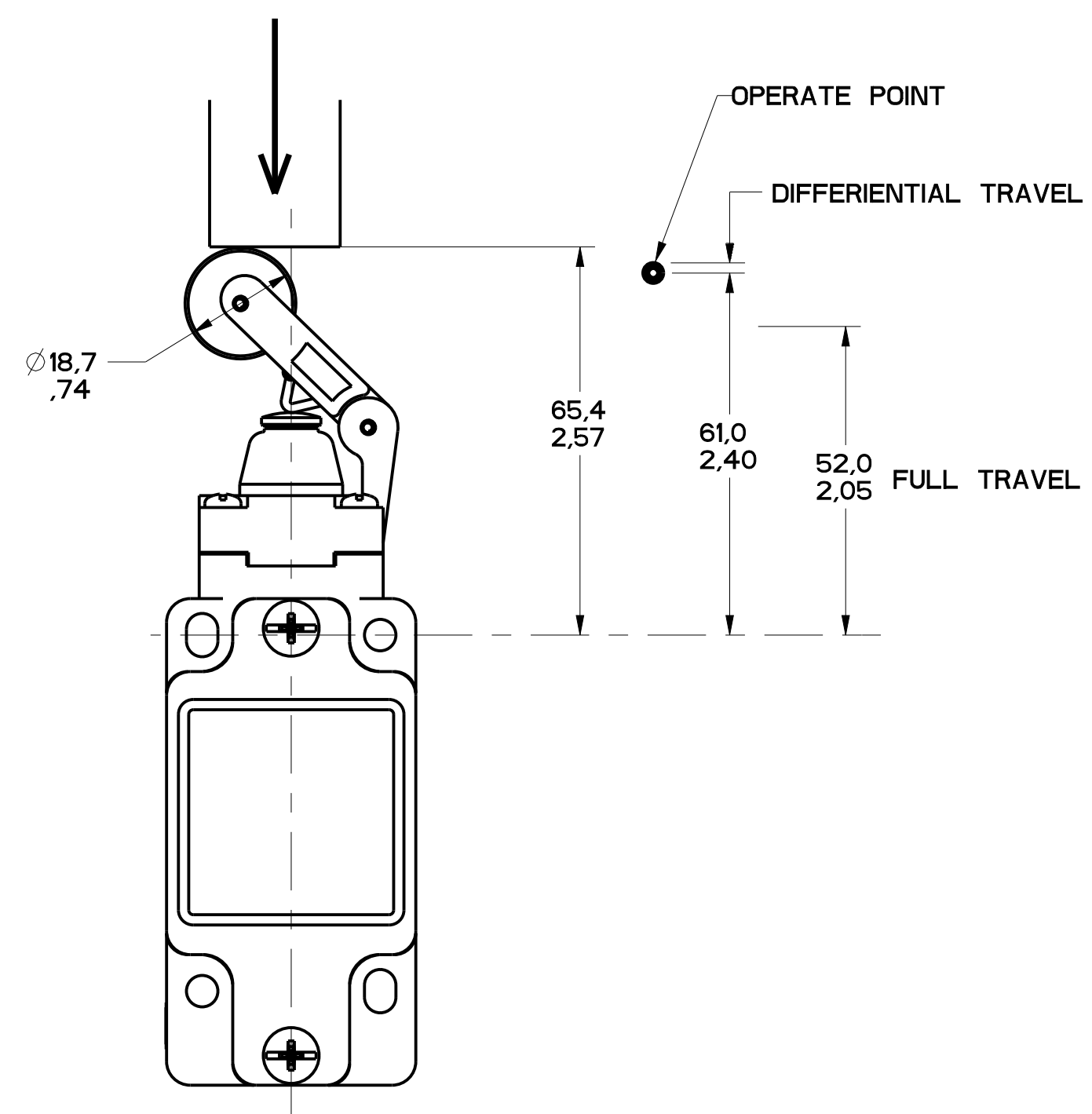


FIGURE 14A

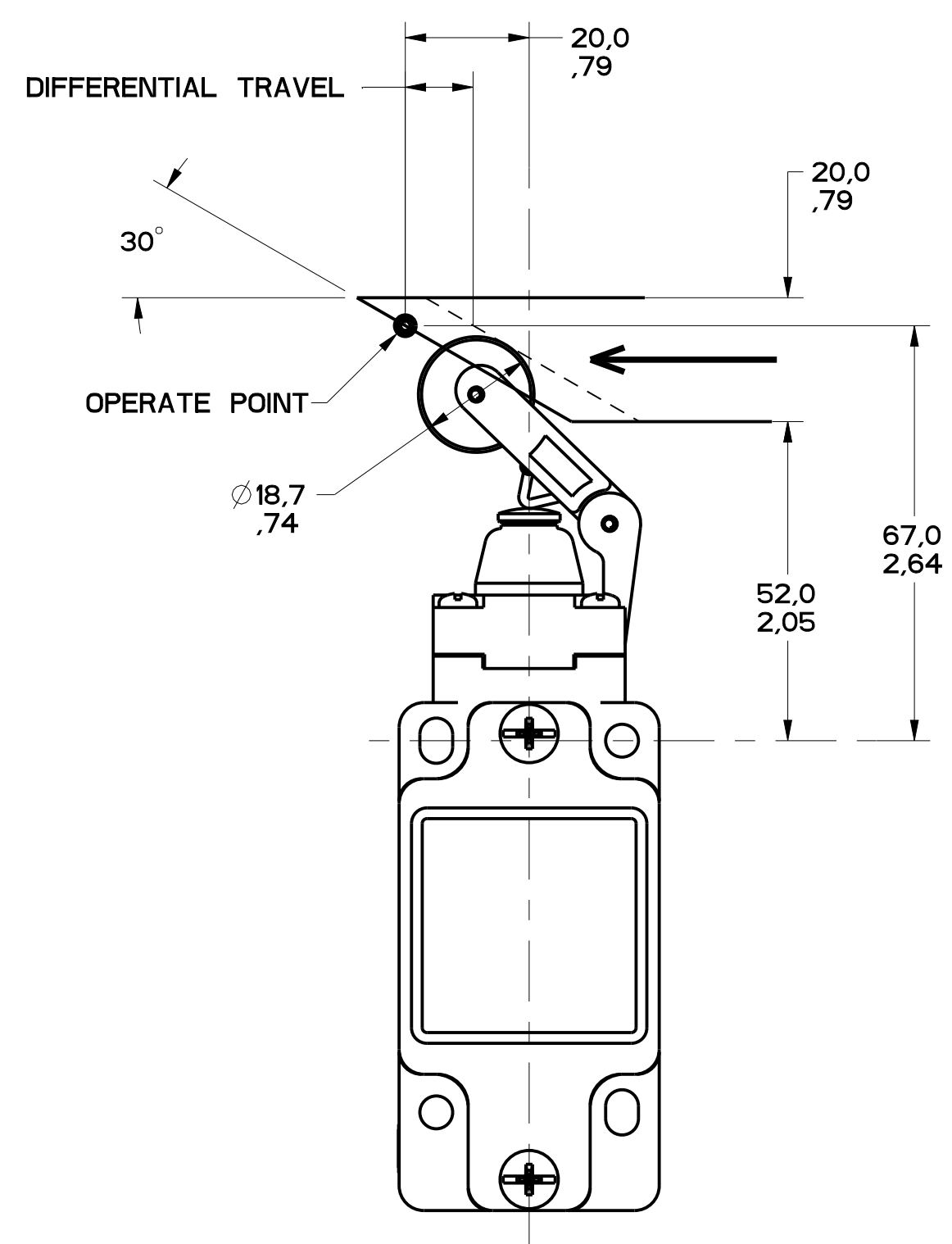


FIGURE 14B

MGL SERIES CHART 1
 DRAWING NUMBER: 10 OF 13
 ISSUE: 16
 P.T.C./CAD: 3D
 DRAWN: G.H. / 02MARCH / 1982
 CHECK: S.A.V. / 12OCT12 / 1982
 APPROVED: CMH / 05OCT10 / 1982
 RELEASE NO.: -
 REVISIONS:
 1 0000441 1982 JUN03
 2 0002986 1982 JUN04
 3 0023759 1982 JUN06
 4 0037216 1982 JUN06
 5 0043629 1982 JUN06
 6 0048605 1982 JUN06
 7 0078909 1982 JUN06
 8 0100059 1982 JUN06
 9 0000110 1982 JUN06
 10 0094570 1982 JUN06
 11 0000112 1982 JUN06

THIS DRAWING COVERS A PROPRIETARY ITEM AND IS THE PROPERTY OF MICRO SWITCH, A DIVISION OF HONEYWELL. THIS DRAWING IS NOT TO BE COPIED OR USED WITHOUT THE APPROVAL OF MICRO SWITCH. FED. MFG. CODE 91929		CATALOG LISTING	
MICRO SWITCH a Honeywell Division		SWITCH, ENCLOSED	
DESIGN UNITS: <input checked="" type="checkbox"/> SI METRIC <input type="checkbox"/> US CUSTOMARY		GL SERIES CHART 1	
TOLERANCES APPLY TO DESIGN UNITS. CONCESSIONS ARE ONLY FOR REFERENCE, UNLESS NOTED. TOLERANCES ARE:		THIRD ANGLE PROJECTION DO NOT SCALE PRINT	
NO PLACES ONE PLACE TWO PLACES THREE PLACES ANGLES	SI .005 .01 .02 .05 .1 .15 .2 .3 .5 .75 1 1.5 2 3 5 7.5 10 15 20 30 45 60 90 120 150 180	US .005 .01 .02 .05 .1 .15 .2 .3 .5 .75 1 1.5 2 3 5 7.5 10 15 20 30 45 60 90 120 150 180	WEIGHT

FIGURE 14A, TOP ROLLER LEVER HEAD WITH PIN ACTUATION

CATALOG LISTING	CONTACT BLOCK DIAGRAM	NOMINAL TRAVELS AND RELATED TERMINALS ■ - CONTACT CLOSED, □ - CONTACT OPEN, ▨ - CONTACT CLOSED DIFFERENTIAL TRAVEL, ** POSITIVE OPENING TO IEC 947-5-1	MAXIMUM OPERATING FORCE $\frac{N}{LB}$	MAXIMUM DISCONNECT FORCE $\frac{N}{LB}$	MAX OPERATE VEL $\frac{M/S}{IN/S}$	MIN OPERATE VEL $\frac{M/S}{IN/S}$	MAX OPERATE FREQUENCY OPS/MIN
GL**01D GL**07D	SNAP - ACTION CONTACTS SINGLE POLE 	 1.7 DIFFERENTIAL TRAVEL	$\frac{9.5}{2.1}$	$\frac{12}{2.7}$	$\frac{0.17}{6.7}$	$\frac{1.7}{.067}$	250
GL**03D GL**33D	SLOW ACTING BREAK BEFORE MAKE 	 59.1	$\frac{9.5}{2.1}$	$\frac{12}{2.7}$	$\frac{0.17}{6.7}$	$\frac{1.7}{.067}$	250
GL**04D GL**34D	SLOW ACTING MAKE BEFORE BREAK 	 61	$\frac{9.5}{2.1}$	$\frac{12}{2.7}$	$\frac{0.17}{6.7}$	$\frac{1.7}{.067}$	250
GL**05D GL**35D	SLOW ACTING 	 59.1	$\frac{9.5}{2.1}$	$\frac{12}{2.7}$	$\frac{0.17}{6.7}$	$\frac{1.7}{.067}$	250
GL**06D GL**36D	SLOW ACTING 	 61	$\frac{9.5}{2.1}$	$\frac{12}{2.7}$	$\frac{0.17}{6.7}$	$\frac{1.7}{.067}$	250
GL**20D GL**22D GL**24D GL**32D	SNAP ACTION CONTACTS DOUBLE POLE 	 1.7 DIFFERENTIAL TRAVEL	$\frac{9.5}{2.1}$	$\frac{16.4}{3.7}$	$\frac{0.17}{6.7}$	$\frac{1.7}{.067}$	250
GL**21D GL**25D GL**28D GL**31D	STEP 1 STEP 2 SNAP ACTION CONTACTS DOUBLE POLE SEQUENTIAL 	 1.6 DIFFERENTIAL TRAVEL	$\frac{9.5}{2.1}$	N/A	$\frac{0.17}{6.7}$	$\frac{1.7}{.067}$	250

FIGURE 14B, TOP ROLLER LEVER HEAD WITH CAM ACTUATION

CATALOG LISTING	CONTACT BLOCK DIAGRAM	NOMINAL TRAVELS AND RELATED TERMINALS ■ - CONTACT CLOSED, □ - CONTACT OPEN, ▨ - CONTACT CLOSED DIFFERENTIAL TRAVEL, ** POSITIVE OPENING TO IEC 947-5-1	MAXIMUM OPERATING FORCE $\frac{N}{LB}$	MAXIMUM DISCONNECT FORCE $\frac{N}{LB}$	MAX OPERATE VEL $\frac{M/S}{IN/S}$	MIN OPERATE VEL $\frac{M/S}{IN/S}$	MAX OPERATE FREQUENCY OPS/MIN
GL**01D GL**07D	SNAP - ACTION CONTACTS SINGLE POLE 	 4.1 DIFFERENTIAL TRAVEL	$\frac{5.5}{1.2}$	$\frac{7.0}{1.6}$	$\frac{0.29}{11.4}$	$\frac{2.9}{.11}$	250
GL**03D GL**33D	SLOW ACTING BREAK BEFORE MAKE 	 24.1	$\frac{5.5}{1.2}$	$\frac{7.0}{1.6}$	$\frac{0.29}{11.4}$	$\frac{2.9}{.11}$	250
GL**04D GL**34D	SLOW ACTING MAKE BEFORE BREAK 	 24.1	$\frac{5.5}{1.2}$	$\frac{9.6}{2.2}$	$\frac{0.29}{11.4}$	$\frac{2.9}{.11}$	250
GL**05D GL**35D	SLOW ACTING 	 24.1	$\frac{5.5}{1.2}$	$\frac{7.0}{1.6}$	$\frac{0.29}{11.4}$	$\frac{2.9}{.11}$	250
GL**06D GL**36D	SLOW ACTING 	 20	$\frac{5.5}{1.2}$	$\frac{7.0}{1.6}$	$\frac{0.29}{11.4}$	$\frac{2.9}{.11}$	250
GL**20D GL**22D GL**24D GL**32D	SNAP ACTION CONTACTS DOUBLE POLE 	 4.1 DIFFERENTIAL TRAVEL	$\frac{5.5}{1.2}$	$\frac{7.0}{1.6}$	$\frac{0.29}{11.4}$	$\frac{2.9}{.11}$	250
GL**21D GL**25D GL**28D GL**31D	STEP 1 STEP 2 SNAP ACTION CONTACTS DOUBLE POLE SEQUENTIAL 	 3.7 DIFFERENTIAL TRAVEL	$\frac{5.5}{1.2}$	N/A	$\frac{0.29}{11.4}$	$\frac{2.9}{.11}$	250

MGL SERIES CHART 1
 DRAWING NUMBER: 11 OF 13
 PTC/CAD 3D
 GH 05MARC01
 CMH 120C112
 RELEASE NO. -
 ISSUE: 16
 CHECK: CMH
 DATE: 05/01/10
 CHECK: CMH
 DATE: 02/27/09
 DATE: 07/15/06
 DATE: 03/21/06
 DATE: 08/18/08
 DATE: 04/26/09
 DATE: 05/08
 DATE: 04/06/05
 DATE: 07/29
 DATE: 07/05/05
 DATE: 02/01/10
 DATE: 08/04/07
 DATE: 05/01/07

THIS DRAWING COVERS A PROPRIETARY ITEM AND IS THE PROPERTY OF MICRO SWITCH, A DIVISION OF HONEYWELL. THIS DRAWING IS NOT TO BE COPIED OR USED WITHOUT THE APPROVAL OF MICRO SWITCH.

FED. MFG. CODE 91929

MICRO SWITCH
a Honeywell Division

SWITCH, ENCLOSED

CATALOG LISTING
GL SERIES CHART 1

SI METRIC US CUSTOMARY

DESIGN UNITS: WEIGHT

NO. PLACES	TOL.	NO. PLACES	TOL.	NO. PLACES	TOL.	NO. PLACES	TOL.
X	±.04	X	±.04	X	±.04	X	±.04
X	±.01	X	±.01	X	±.01	X	±.01
X	±.005	X	±.005	X	±.005	X	±.005
X	±.002	X	±.002	X	±.002	X	±.002
X	±.001	X	±.001	X	±.001	X	±.001

THIRD ANGLE PROJECTION

SCALE: -

DO NOT SCALE PRINT

TOLERANCES
APPLY TO DESIGN UNITS. CONVERSIONS ARE ONLY FOR REFERENCE. UNLESS NOTED, TOLERANCES ARE:



Компания «ЭлектроПласт» предлагает заключение долгосрочных отношений при поставках импортных электронных компонентов на взаимовыгодных условиях!

Наши преимущества:

- Оперативные поставки широкого спектра электронных компонентов отечественного и импортного производства напрямую от производителей и с крупнейших мировых складов;
- Поставка более 17-ти миллионов наименований электронных компонентов;
- Поставка сложных, дефицитных, либо снятых с производства позиций;
- Оперативные сроки поставки под заказ (от 5 рабочих дней);
- Экспресс доставка в любую точку России;
- Техническая поддержка проекта, помощь в подборе аналогов, поставка прототипов;
- Система менеджмента качества сертифицирована по Международному стандарту ISO 9001;
- Лицензия ФСБ на осуществление работ с использованием сведений, составляющих государственную тайну;
- Поставка специализированных компонентов (Xilinx, Altera, Analog Devices, Intersil, Interpoint, Microsemi, Aeroflex, Peregrine, Syfer, Eurofarad, Texas Instrument, Miteq, Cobham, E2V, MA-COM, Hittite, Mini-Circuits, General Dynamics и др.);

Помимо этого, одним из направлений компании «ЭлектроПласт» является направление «Источники питания». Мы предлагаем Вам помощь Конструкторского отдела:

- Подбор оптимального решения, техническое обоснование при выборе компонента;
- Подбор аналогов;
- Консультации по применению компонента;
- Поставка образцов и прототипов;
- Техническая поддержка проекта;
- Защита от снятия компонента с производства.



Как с нами связаться

Телефон: 8 (812) 309 58 32 (многоканальный)

Факс: 8 (812) 320-02-42

Электронная почта: org@eplast1.ru

Адрес: 198099, г. Санкт-Петербург, ул. Калинина, дом 2, корпус 4, литера А.