

SPECIFICATIONS
MAKE-BEFORE-BREAK

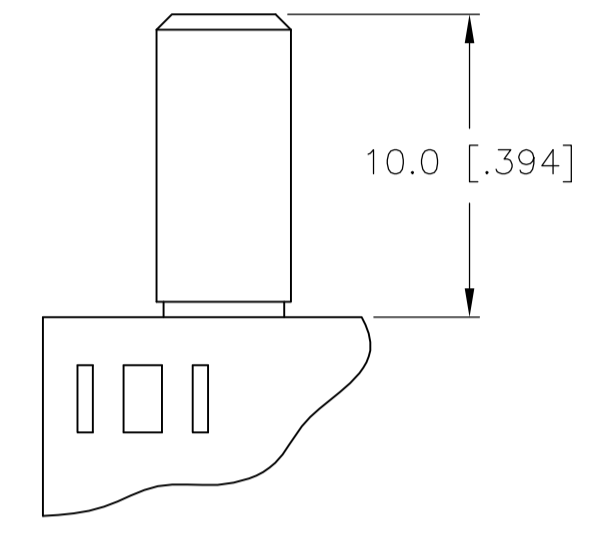
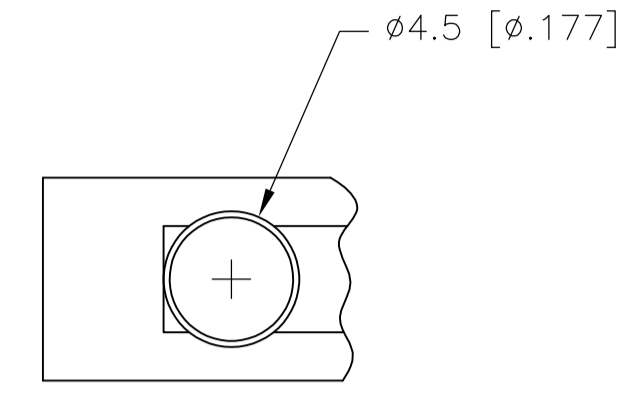
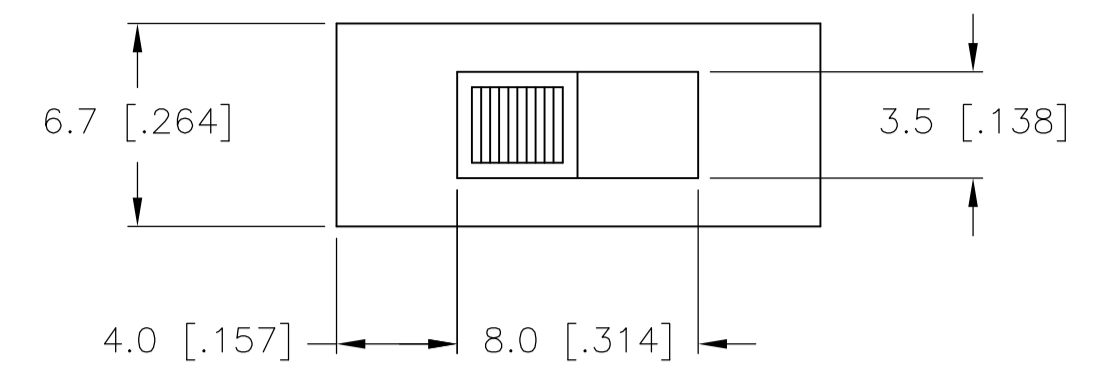
MATERIALS:
ACTUATOR- THERMOPLASTIC, UL94HB
TERMINAL BOARD- PHENOLIC LAMINATED SHEET, UL94HB, NATURAL
FRAME- STEEL, NICKEL PLATE
TERMINAL/FIXED CONTACT- COPPER ALLOY, GOLD OR SILVER OVER NICKEL PLATE
MOVING CONTACT- COPPER ALLOY, GOLD OR SILVER OVER NICKEL PLATE
DETENT BALL- STEEL
COIL SPRING- GALVANIZED SPRING WIRE
LEVER,(K SERIES ONLY)- ALUMINUM
SEAL- EPOXY

ELECTRICAL:
CONTACT RATING- .4VA@20VDC OR PEAK AC (GOLD); 300mA@125V AC (SILVER)
INITIAL CONTACT RESISTANCE- 30 milliohm max.
FINAL CONTACT RESISTANCE- 100 milliohm max. (AFTER TEST)
INSULTAION RESISTANCE- 1,000 Megohms min.
DIELECTRIC STRENGTH- 500V RMS@SEA LEVEL
LIFE EXPECTANCY- 15,000 CYCLES MIN.

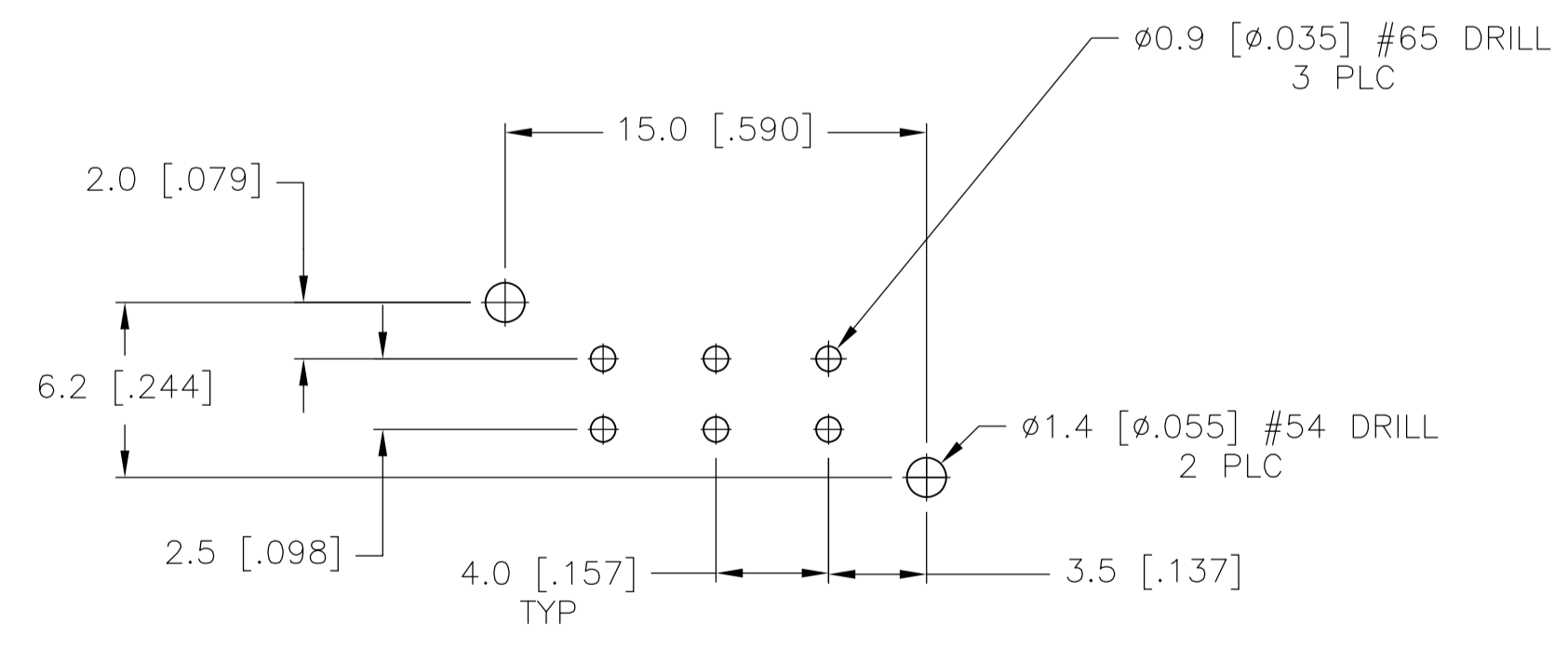
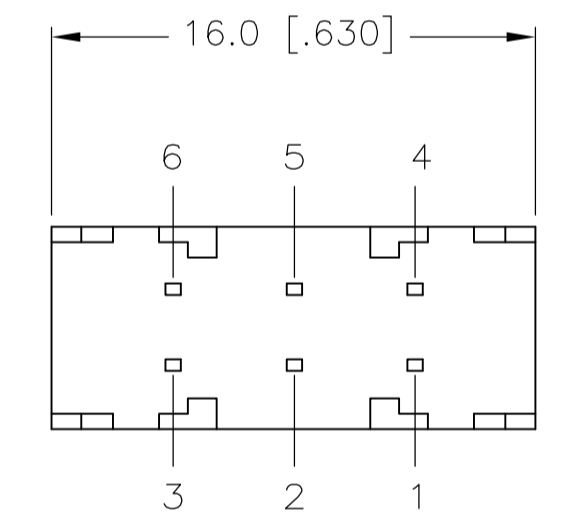
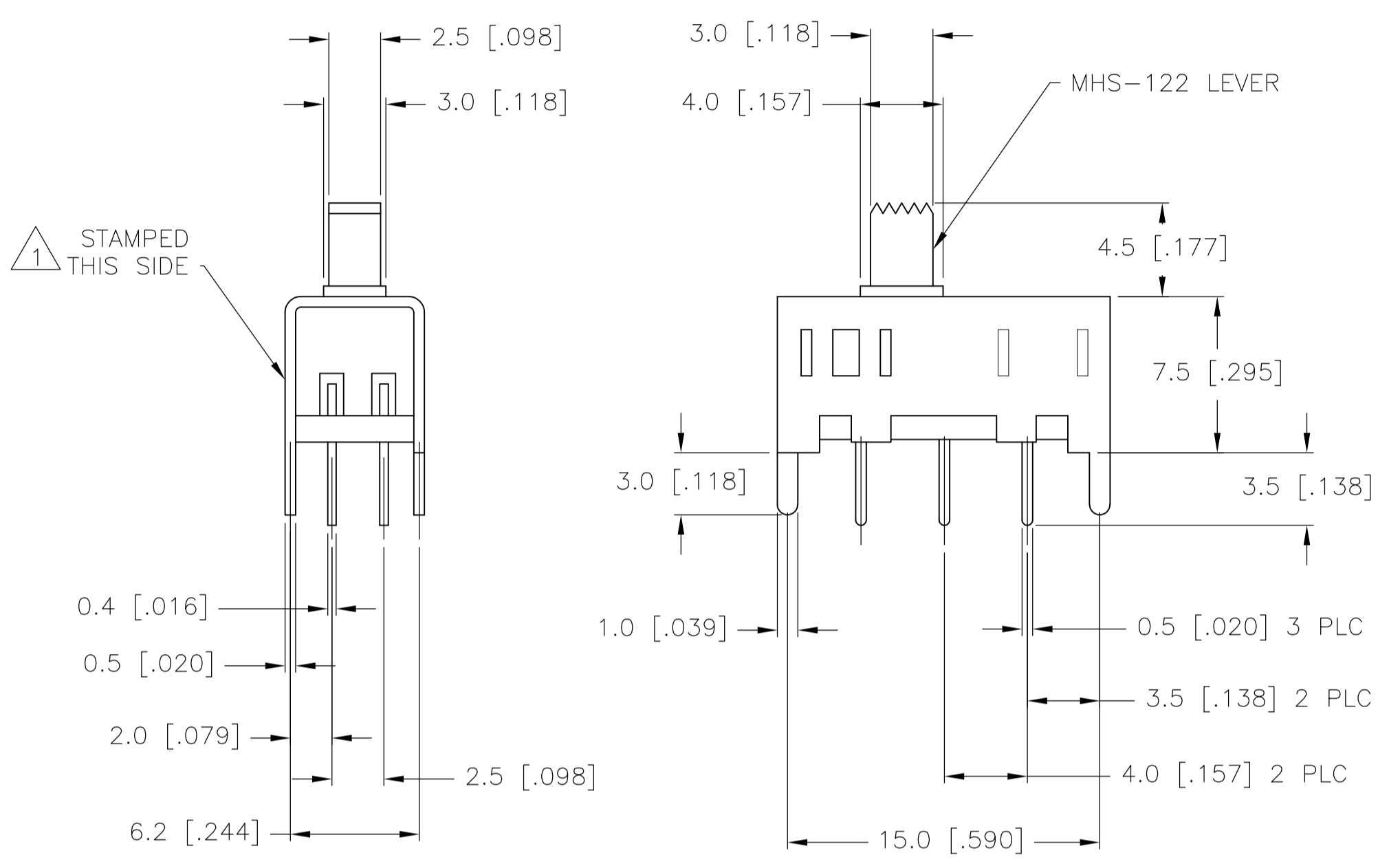
MECHANICAL:
ACTUATION FORCE- 600+/-300 GRAMS
TRAVEL- SEE P/N TABLE

ENVIRONMENTAL:
OPERATING TEMPERATURE- -20 TO +85 DEGREES C
STORAGE TEMPERATURE- -40 TO +100 DEGREES C
RESISTANCE TO SOLDER HEAT PER 109-202, CONDITION B
SOLDERABILITY PER EIA-364-52, CLASS 2, CATEGORY 1, 95% MIN COVERAGE

- NOTES:
- 1 COUNTRY OF ORIGIN AND TE CONNECTIVITY LOGO LOCATED APPROXIMATELY AS SHOWN
 - 2 ALL MATERIALS AND FINISHES SHALL COMPLY WITH EU DIRECTIVE 2002/95/EC OF 27JAN2003 (ROHS)
 - 3 ANTI SOLDER WICK SEAL AT TERMINAL TO BOARD INTERFACE
 - 4 ALL PERFORMANCE TESTING WAS DONE IN ACCORDANCE TO TE CONNECTIVITY SPECIFICATION 102-2469
 - 5 OBSOLETE PARTS: OBSOLETE CIS STREAMLINING PER D.RENAUD/D.SINISI



MHS222K & MHS223K LEVER



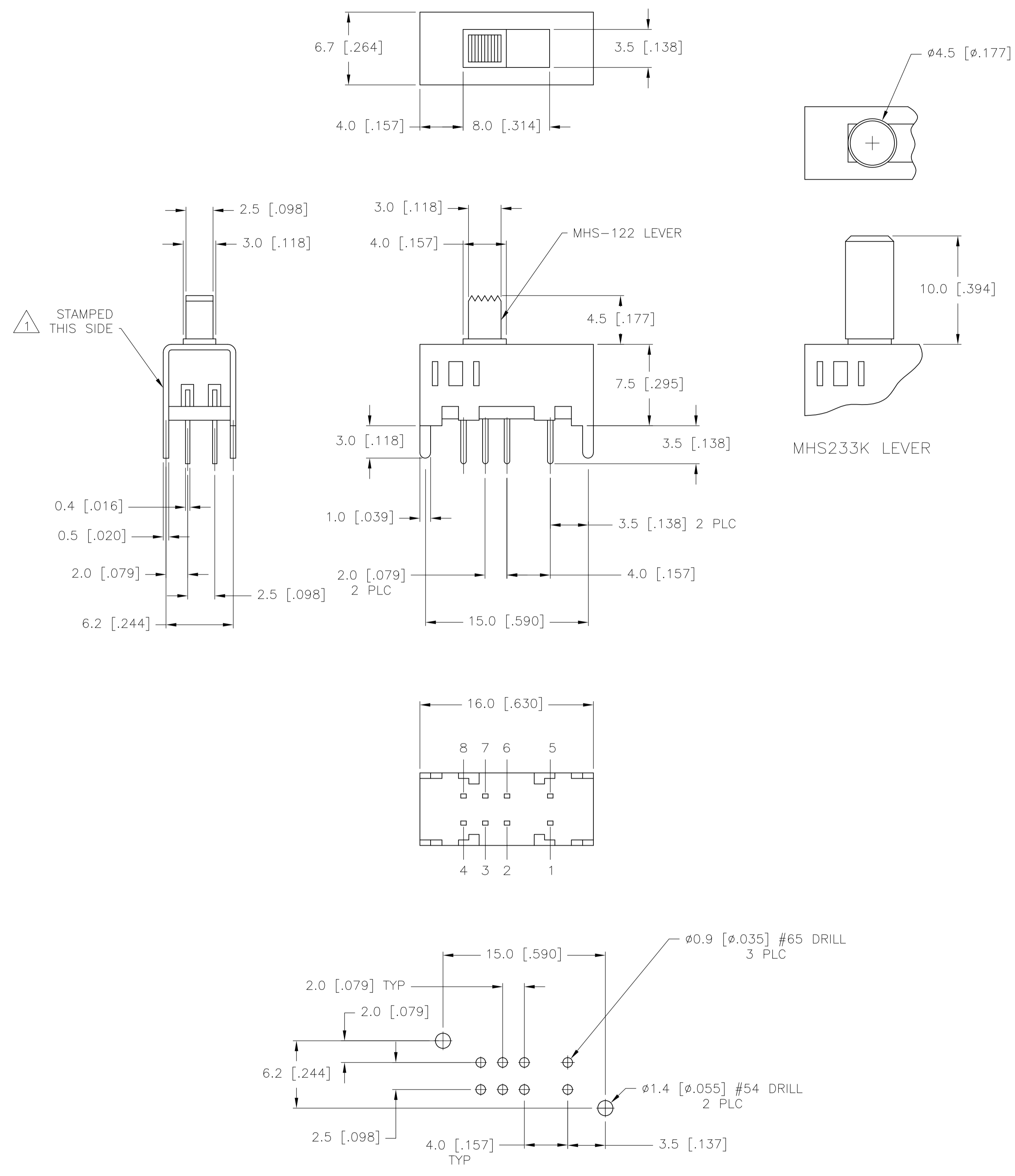
RECOMMENDED BOARD LAYOUT
PC LAYOUT TOLERANCE: ±.002

MHS222 & MHS223 SERIES SWITCH

| OBSOLETE | 1-1825289-4 | MHS233KG04 | DP3T | 2.00 | GOLD | - | 6-5 2-1 | - | 7-6 3-2 | - | 8-6 4-2 |
|----------|--------------|------------|--------|---------|----------------|----------------|----------------|----------------|----------------|----------------|----------------|
| | 1-1825289-0 | MHS233K04 | DP3T | 2.00 | SILVER | - | 6-5 2-1 | - | 7-6 3-2 | - | 8-6 4-2 |
| | 1825289-9 | MHS233G04 | DP3T | 2.00 | GOLD | - | 6-5 2-1 | - | 7-6 3-2 | - | 8-6 4-2 |
| | 1825289-8 | MHS23304 | DP3T | 2.00 | SILVER | - | 6-5 2-1 | - | 7-6 3-2 | - | 8-6 4-2 |
| | - | MHS223KG04 | DPDT | 2.00 | GOLD | 5-4 2-1 | - | OFF | - | 6-5 3-2 | - |
| | 1825289-7 | MHS223K04 | DPDT | 2.00 | SILVER | 5-4 2-1 | - | OFF | - | 6-5 3-2 | - |
| | 1825289-6 | MHS223G04 | DPDT | 2.00 | GOLD | 5-4 2-1 | - | OFF | - | 6-5 3-2 | - |
| | 1825289-5 | MHS22304 | DPDT | 2.00 | SILVER | 5-4 2-1 | - | OFF | - | 6-5 3-2 | - |
| OBSOLETE | 1825289-4 | MHS222KG04 | DPDT | 4.00 | GOLD | 5-4 2-1 | - | NONE | - | 6-5 3-2 | - |
| | 1825289-3 | MHS222K04 | DPDT | 4.00 | SILVER | 5-4 2-1 | - | NONE | - | 6-5 3-2 | - |
| | 1825289-2 | MHS222G04 | DPDT | 4.00 | GOLD | 5-4 2-1 | - | NONE | - | 6-5 3-2 | - |
| | 1825289-1 | MHS22204 | DPDT | 4.00 | SILVER | 5-4 2-1 | - | NONE | - | 6-5 3-2 | - |
| PART NO. | T&B PART NO. | TYPE | TRAVEL | PLATING | TE | TE | TE | TE | TE | TE | TE |
| | | | | | 1 2 3 4 5 6 | 1 234 5 678 | 1 2 3 4 5 6 | 1 234 5 678 | 1 2 3 4 5 6 | 1 234 5 678 | 1 2 3 4 5 6 |

TERMINALS CONNECTED WHEN SLIDE IS IN POSITION SHOWN.

| | | | | |
|--|--------------------|---|-----------------|-------------------------------|
| THIS DRAWING IS A CONTROLLED DOCUMENT. | | DIN R BROWN 21DEC05 | TE Connectivity | |
| DIMENSIONS: mm | | CHK M SARVER 21DEC05 | | |
| TOLERANCES UNLESS OTHERWISE SPECIFIED: | | APVD M SARVER 21DEC05 | NAME | |
| 0 PLC ± - | 1 PLC ± 0.3 [0.12] | SLIDE SWITCH, MHS SERIES, DOUBLE POLE, VERTICAL | | |
| 2 PLC ± - | 3 PLC ± - | PRODUCT SPEC | | |
| 4 PLC ± - | ANGLES ± 1' | APPLICATION SPEC | | |
| MATERIAL - | FINISH - | SIZE A1 | CAGE CODE 00779 | DRAWING NO. 1825289 |
| | | WEIGHT - | RESTRICTED TO | |
| | | CUSTOMER DRAWING | | SCALE 4:1 SHEET 1 OF 2 REV B3 |



SPECIFICATIONS
MAKE-BEFORE-BREAK

MATERIALS:
ACTUATOR- THERMOPLASTIC, UL94HB
TERMINAL BOARD- PHENOLIC LAMINATED SHEET, UL94HB, NATURAL
FRAME- STEEL, NICKEL PLATE
TERMINAL/FIXED CONTACT- COPPER ALLOY, GOLD OR SILVER OVER NICKEL PLATE
MOVING CONTACT- COPPER ALLOY, GOLD OR SILVER OVER NICKEL PLATE
DETENT BALL- STEEL
COIL SPRING- GALVANIZED SPRING WIRE
LEVER,(K SERIES ONLY)- ALUMINUM
SEAL- EPOXY

ELECTRICAL:
CONTACT RATING- .4VA@20VDC OR PEAK AC (GOLD); 300mA@125V AC (SILVER)
INITIAL CONTACT RESISTANCE- 30 milliohm max.
FINAL CONTACT RESISTANCE- 100 milliohm max. (AFTER TEST)
INSULTAION RESISTANCE- 1,000 Megohms min.
DIELECTRIC STRENGTH- 500V RMS@SEA LEVEL
LIFE EXPECTANCY- 15,000 CYCLES MIN.

MECHANICAL:
ACTUATION FORCE- 600+/-300 GRAMS
TRAVEL- SEE P/N TABLE

ENVIRONMENTAL:
OPERATING TEMPERATURE- -20 TO +85 DEGREES C
STORAGE TEMPERATURE- -40 TO +100 DEGREES C
RESISTANCE TO SOLDER HEAT PER 109-202, CONDITION B
SOLDERABILITY PER EIA-364-52, CLASS 2, CATEGORY 1, 95% MIN COVERAGE

- NOTES:
1. COUNTRY OF ORIGIN AND TE CONNECTIVITY LOGO PER TEC-202-36 LOCATED APPROXIMATELY AS SHOWN
 2. ALL MATERIALS AND FINISHES SHALL COMPLY WITH EU DIRECTIVE 2002/95/EC OF 27JAN2003 (ROHS)
 3. ANTI SOLDER WICK SEAL AT TERMINAL TO BOARD INTERFACE
 4. ALL PERFORMANCE TESTING WAS DONE IN ACCORDANCE TO TE CONNECTIVITY SPECIFICATION 102-2469

RECOMMENDED BOARD LAYOUT
PC LAYOUT TOLERANCE: ±.002

MHS233 SERIES
SWITCH

| | | | | |
|--|--------------|------------------|---------|--|
| THIS DRAWING IS A CONTROLLED DOCUMENT. | | DIN R BROWN | 21DEC05 | TE Connectivity |
| DIMENSIONS: mm | | CHK M SARVER | 21DEC05 | |
| TOLERANCES UNLESS OTHERWISE SPECIFIED: | | APVD M SARVER | 21DEC05 | NAME SLIDE SWITCH, MHS SERIES, DOUBLE POLE, VERTICAL |
| 0 PLC | ± - | PRODUCT SPEC | | APPLICATION SPEC |
| 1 PLC | ± 0.3 [.012] | SIZE | | CAGE CODE |
| 2 PLC | ± - | WEIGHT | | DRAWING NO |
| 3 PLC | ± - | CUSTOMER DRAWING | | RESTRICTED TO |
| 4 PLC | ± - | SCALE | | 4:1 |
| ANGLES | ± 1° | SHEET | | 2 OF 2 |
| MATERIAL | | FINISH | | REV |
| | | A1 00779 | | B3 |
| | | C=1825289 | | |



Компания «ЭлектроПласт» предлагает заключение долгосрочных отношений при поставках импортных электронных компонентов на взаимовыгодных условиях!

Наши преимущества:

- Оперативные поставки широкого спектра электронных компонентов отечественного и импортного производства напрямую от производителей и с крупнейших мировых складов;
- Поставка более 17-ти миллионов наименований электронных компонентов;
- Поставка сложных, дефицитных, либо снятых с производства позиций;
- Оперативные сроки поставки под заказ (от 5 рабочих дней);
- Экспресс доставка в любую точку России;
- Техническая поддержка проекта, помощь в подборе аналогов, поставка прототипов;
- Система менеджмента качества сертифицирована по Международному стандарту ISO 9001;
- Лицензия ФСБ на осуществление работ с использованием сведений, составляющих государственную тайну;
- Поставка специализированных компонентов (Xilinx, Altera, Analog Devices, Intersil, Interpoint, Microsemi, Aeroflex, Peregrine, Syfer, Eurofarad, Texas Instrument, Miteq, Cobham, E2V, MA-COM, Hittite, Mini-Circuits, General Dynamics и др.);

Помимо этого, одним из направлений компании «ЭлектроПласт» является направление «Источники питания». Мы предлагаем Вам помощь Конструкторского отдела:

- Подбор оптимального решения, техническое обоснование при выборе компонента;
- Подбор аналогов;
- Консультации по применению компонента;
- Поставка образцов и прототипов;
- Техническая поддержка проекта;
- Защита от снятия компонента с производства.



Как с нами связаться

Телефон: 8 (812) 309 58 32 (многоканальный)

Факс: 8 (812) 320-02-42

Электронная почта: org@eplast1.ru

Адрес: 198099, г. Санкт-Петербург, ул. Калинина, дом 2, корпус 4, литера А.