

## HARDWARE

| Part Number   | Qty. per pkg. | Hardware Accessories                                     |
|---------------|---------------|--|
| BH1AAWKIT     | 1             | Battery holder kit for 1 AA cell for 1599 B & E series   |
| BH2AAWKIT     | 1             | Battery holder kit for 2 AA cell for 1599 B & E series   |
| BH1AAAWKIT    | 1             | Battery holder kit for 1 AAA cell for 1599 B & E series  |
| BH2AAAWKIT    | 1             | Battery holder kit for 2 AAA cell for 1599 B & E series  |
| BH3AAAWKIT    | 1             | Battery holder kit for 3 AAA cell for 1599E series       |
| BH4AAAWKIT    | 1             | Battery holder kit for 4 AAA cell for 1599E series       |
| BS61KIT       | 1             | Battery holder kit for 1 - 9V cell for 1599 B & E series |
| 1427KR        | 1             | Key ring kit for 1551 series                             |
| 1448A20       | 20            | Angles, clips and screws for 1448 rails                  |
| 1448R6        | 1             | Mounting rails for 1401 & 1458 series (5.6" - 142mm)     |
| 1448R8        | 1             | Mounting rails for 1401 & 1458 series (7.6" - 193mm)     |
| 1448R10       | 1             | Mounting rails for 1401 & 1458 series (9.6" - 244mm)     |
| 1448R12       | 1             | Mounting rails for 1401 & 1458 series (11.6" - 295mm)    |
| 1448R14       | 1             | Mounting rails for 1401 & 1458 series 13.6" - 345mm)     |
| 1590ORING-100 | 100           | "O" ring for watertight 1590 series                      |
| 1591AC        | 1             | Clear plastic lid for 1591A series                       |
| 1591BC        | 1             | Clear plastic lid for 1591B series                       |
| 1591CC        | 1             | Clear plastic lid for 1591C series                       |
| 1591DC        | 1             | Clear plastic lid for 1591D series                       |
| 1591EC        | 1             | Clear plastic lid for 1591E series                       |
| 1591GC        | 1             | Clear plastic lid for 1591G series                       |
| 1591HC        | 1             | Clear plastic lid for 1591H series                       |
| 1591LC        | 1             | Clear plastic lid for 1591L series                       |
| 1591SC        | 1             | Clear plastic lid for 1591S series                       |
| 1591TC        | 1             | Clear plastic lid for 1591T series                       |
| 1591UC        | 1             | Clear plastic lid for 1591U series                       |
| 1591VC        | 1             | Clear plastic lid for 1591V series                       |
| 1591Z6        | 6             | P.C. card adaptors for 1590 (L-R) & 1591 series          |
| 1591Z50       | 50            | P.C. card adaptors for 1590 (L-R) & 1591 series          |
| 1591Z100      | 100           | P.C. card adaptors for 1590 (L-R) & 1591 series          |
| 1592ETG       | 1             | Gasket kit for 1592 "T" case                             |
| 1592ETM       | 1             | Magnetic 3" pad for rear of 1592 "T" case                |
| 1592ETRF      | 6             | Rubber feet for 1592 "T" case                            |
| 1592ETV       | 1             | Velcro mounting pad for 1592 "T" case                    |
| 1593DIR10     | 10            | Infrared panels for 1593D                                |
| 1593NIR10     | 10            | Infrared panels for 1593N                                |
| 1593PIR10     | 10            | Infrared panels for 1593K,L, P, Q, Y & X                 |
| 1593SIR10     | 10            | Infrared panels for 1593S & T                            |
| 1594AZ25      | 25 sets       | P.C. card guides for 1594A series                        |
| 1594AD5       | 5 sets        | P.C. card guides for 1594A series                        |
| 1594BZ25      | 25 sets       | P.C. card guides for 1594B series                        |
| 1594BD5       | 5 sets        | P.C. card guides for 1594B series                        |
| 1594CZ25      | 25 sets       | P.C. card guides for 1594C series                        |
| 1594CD5       | 5 sets        | P.C. card guides for 1594C series                        |
| 1594DZ25      | 25 sets       | P.C. card guides for 1594D series                        |
| 1594DD5       | 5 sets        | P.C. card guides for 1594D series                        |
| 1594EZ25      | 25 sets       | P.C. card guides for 1594E series                        |
| 1594ED5       | 5 sets        | P.C. card guides for 1594E series                        |
| 1598PLABK     | 2             | Black plastic end panels for 1598A series                |
| 1598PLBBK     | 2             | Black plastic end panels for 1598B series                |
| 1598PLBBBK    | 2             | Black plastic end panels for 1598BB series               |
| 1598PLCBK     | 2             | Black plastic end panels for 1598C series                |
| 1598PLDBK     | 2             | Black plastic end panels for 1598D series                |
| 1598PLEBK     | 2             | Black plastic end panels for 1598E series                |
| 1598PLFBK     | 2             | Black plastic end panels for 1598F serie                 |
| 1598PLGBK     | 2             | Black plastic end panels for 1598G serie                 |
| 1598PLHBK     | 2             | Black plastic end panels for 1598H series                |
| 1598PLJBK     | 2             | Black plastic end panels for 1598J series                |

## HARDWARE con't.

| Part Number | Qty. per pkg. | Hardware Accessories                          |
|-------------|---------------|---|
| 1598TH1     | 1             | Tilt handle for 1598C,E,F & G                 |
| 1598TH2     | 1             | Tilt handle for 1598H & J                     |
| 1598ZPC25   | 25            | Circuit board clips for 1598 series           |
| 1598ZPC100  | 100           | Circuit board clips for 1598 series           |
| 1599BD5     | 5             | Plastic battery dividers for 1599B series     |
| 1599BD100   | 100           | Plastic battery dividers for 1599B series     |
| 1599CLIP    | 1             | Black nylon belt or pocket clip with hardware |
| 1599CLIPGY  | 1             | Grey nylon belt or pocket clip with hardware  |
| 1599ED5     | 5             | Plastic battery dividers for 1599E series     |
| 1599ED100   | 100           | Plastic battery dividers for 1599E series     |
| 1599HD5     | 5             | Plastic battery dividers for 1599H series     |
| 1599HD100   | 100           | Plastic battery dividers for 1599H series     |

## SCREWS

| Part Number  | Qty per pkg. | Replacement & Accessory Screws                                 | Screw Size                  |
|--------------|--------------|--|-----------------------------|
| 1421J6       | 6            | Self tapping for most metal case series                        | 6-32 philips, nickel plated |
| 1455MS100    | 100          | Machine screws for clear anodized 1455 series                  | -                           |
| 1455MS100BK  | 100          | Machine screws for black anodized 1455 series                  | -                           |
| 1551ATS100   | 100          | Self tapping type for 1551 series                              | #2 x 3/16" nickel plated    |
| 1590MS100    | 100          | Machine type for 1590 (except L, M & R) series                 | 6-32 x 1/2" nickel plated   |
| 1590MS50BK   | 50           | Black machine type for 1590 series                             | 6-32 x 1/2"                 |
| 1590MS50BU   | 50           | Blue machine type for 1590 series                              | 6-32 x 1/2"                 |
| 1590MS50GY   | 50           | Grey machine type for 1590 series                              | 6-32 x 1/2"                 |
| 1590WMS100   | 100          | Stainless steel machine screw for 1590 watertight series       | 6-32 x 1/2"                 |
| 1590WMS100BK | 100          | Black stainless steel machine screw for 1590 watertight series | 6-32 x 1/2"                 |
| 1591MS100    | 100          | Machine type for 1591 & 1598 series                            | M3 - 0.5 x 10mm             |
| 1591MS100BK  | 100          | Black machine type for 1591 & 1598 series                      | M3 - 0.5 x 10mm             |
| 1591TS100    | 100          | Self tapping type for 1591 styrene and 1551 series             | #4 x 0.5" nickel plated     |
| 1591TS100BK  | 100          | Black self tapping type for 1591 styrene and 1551 series       | #4 x 0.5"                   |
| 1593ATS50    | 50           | Self tapping pan head for 1593, 1591 flange lid & 1599 series  | #4 x 1/4" (6.4mm)           |
| 1593ATS100   | 100          | Self tapping pan head for 1593, 1591 flange lid & 1599 series  | #4 x 1/4" (6.4mm)           |
| 1593KS100    | 100          | Self tapping, oval head for 1593K,L & X series                 | #4 x 0.875" (22.2mm)        |
| 1593MS100    | 100          | Self tapping, oval head for 1593S & T series                   | #4 x 0.625" (15.9mm)        |
| 1594MS100    | 100          | Machine type for 1594, 1599B, and 1592 series                  | M3 - 0.5 x 18mm             |
| 1594QS100    | 100          | Self tapping, oval head for 1593J,N,P,Q,D & Y series           | #4 x 0.75" (19.1mm)         |
| 1594TS100    | 100          | Self tapping for 1594 & 1599ES styrene series                  | #4 x 25.4mm (1")            |
| 1594WMS100   | 100          | Machine type for 1594 watertight series & 1599E                | M3 - 0.5 x 25mm             |
| 1595MS100    | 100          | Machine type for 1595 series                                   | M3 - 0.5 x 8mm              |
| 1598ATS100   | 100          | Screws for stand-off bosses in 1595 & 1598                     | #6 x 1/4" (6.4mm)           |
| 1598TS100    | 100          | Self tapping for 1598 styrene series                           | #4 x 5/8"                   |
| 1599BTS100   | 100          | Self tapping for 1599BS styrene series                         | #4 x 3/4"                   |

## DIN CLIPS

### 1427DINCLIP

- Designed for mounting enclosures to DIN rails
- Includes hardware (Qty. 4 of a #5 self tapping screw) & drilling template
- Center to center hole spacing is 1.18" (30mm)
- Material is a rugged glass filled, black nylon (UL94-VO flammability rating)
- Units are 1.8" (45.7mm) long, 0.4" (10.0mm) wide - overall
- Sold in packages of 2



**CANADA**  
Guelph, Ontario (519) 822-2960  
St. Laurent, Quebec (514) 343-9010  
**USA**  
Cheektowaga, NY (716) 651-0086

[www.hammondmfg.com](http://www.hammondmfg.com)

**EUROPE**  
Basingstoke, UK +44 1256 812812

**AUSTRALASIA**  
Queenstown, SA, Australia +61 8 8240 2244

# Flange Kits & P.C. Board Adaptors

## PLASTIC FLANGE KITS

Flange kits mount to the rear of our 1591 series (using glue)...

Three sizes cover our entire 1591 series...

Flange kits can be screwed to the lid of our 1591 series...

Flange slots allow for easy cable tie hanging...

### Box Mount

| Used with Enclosure | Box mounted flange Part Number |
|---------------------|--------------------------------|
| 1591L               | 1591F1BK-10                    |
| 1591A               | 1591F1BK-10                    |
| 1591B               | 1591F1BK-10                    |
| 1591C               | 1591F1BK-10                    |
| 1591D               | 1591F2BK-10                    |
| 1591E               | 1591F3BK-10                    |
| 1591G               | 1591F2BK-10                    |
| 1591H               | 1591F1BK-10                    |
| 1591M               | 1591F1BK-10                    |
| 1591S               | 1591F2BK-10                    |
| 1591T               | 1591F2BK-10                    |
| 1591U               | 1591F3BK-10                    |
| 1591V               | 1591F3BK-10                    |

SOLD IN PACKS OF 10

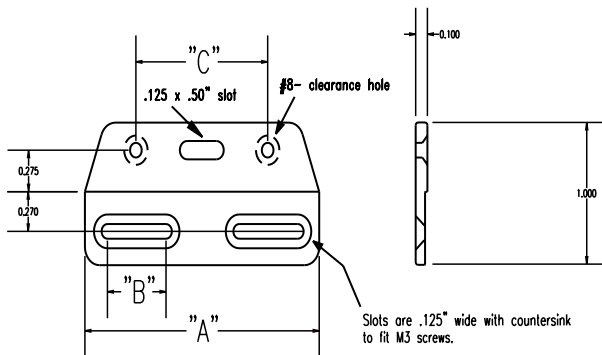
Molded in the same high quality, high strength, fire retardant ABS plastic (black only) as our 1591 series.

**NOTE:** When gluing flanges to ABS plastic boxes we recommend standard ABS cement. To glue flanges to our styrene enclosures we recommend a faster setting glue like Loctite's "Quick Tite"

### Lid Mount

| Used with Enclosure | Lid mounted flange Part Number |
|---------------------|--------------------------------|
| 1591L               | 1591F1BK-10                    |
| 1591A               | 1591F1BK-10                    |
| 1591B               | 1591F1BK-10                    |
| 1591C               | 1591F2BK-10                    |
| 1591D               | 1591F2BK-10                    |
| 1591E               | 1591F3BK-10                    |
| 1591G               | 1591F3BK-10                    |
| 1591H               | 1591F2BK-10                    |
| 1591M               | 1591F1BK-10                    |
| 1591S               | 1591F3BK-10                    |
| 1591T               | 1591F2BK-10                    |
| 1591U               | 1591F3BK-10                    |
| 1591V               | 1591F3BK-10                    |

SOLD IN PACKS OF 10



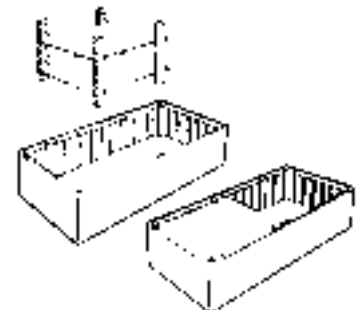
| Part Number | Units      | Dimensions |            |            |
|-------------|------------|------------|------------|------------|
|             |            | A          | B          | C          |
| 1591F1BK-10 | inch<br>mm | 2.2<br>56  | .25<br>6.4 | 1.5<br>38  |
| 1591F2BK-10 | inch<br>mm | 3.0<br>76  | .26<br>6.6 | 2.0<br>51  |
| 1591F3BK-10 | inch<br>mm | 4.5<br>114 | .60<br>15  | 3.25<br>83 |

## P. C. CARD ADAPTORS

### P.C. Board Card Adaptors

Allows horizontal mounting of P.C. board(s). **For the 1591 and ribbed 1590 series only.**

- 1591Z6 - Package of 6
- 1591Z50 - Package of 50
- 1591Z100 - Package of 100





Компания «ЭлектроПласт» предлагает заключение долгосрочных отношений при поставках импортных электронных компонентов на взаимовыгодных условиях!

Наши преимущества:

- Оперативные поставки широкого спектра электронных компонентов отечественного и импортного производства напрямую от производителей и с крупнейших мировых складов;
- Поставка более 17-ти миллионов наименований электронных компонентов;
- Поставка сложных, дефицитных, либо снятых с производства позиций;
- Оперативные сроки поставки под заказ (от 5 рабочих дней);
- Экспресс доставка в любую точку России;
- Техническая поддержка проекта, помощь в подборе аналогов, поставка прототипов;
- Система менеджмента качества сертифицирована по Международному стандарту ISO 9001;
- Лицензия ФСБ на осуществление работ с использованием сведений, составляющих государственную тайну;
- Поставка специализированных компонентов (Xilinx, Altera, Analog Devices, Intersil, Interpoint, Microsemi, Aeroflex, Peregrine, Syfer, Eurofarad, Texas Instrument, Miteq, Cobham, E2V, MA-COM, Hittite, Mini-Circuits, General Dynamics и др.);

Помимо этого, одним из направлений компании «ЭлектроПласт» является направление «Источники питания». Мы предлагаем Вам помощь Конструкторского отдела:

- Подбор оптимального решения, техническое обоснование при выборе компонента;
- Подбор аналогов;
- Консультации по применению компонента;
- Поставка образцов и прототипов;
- Техническая поддержка проекта;
- Защита от снятия компонента с производства.



#### Как с нами связаться

**Телефон:** 8 (812) 309 58 32 (многоканальный)

**Факс:** 8 (812) 320-02-42

**Электронная почта:** [org@eplast1.ru](mailto:org@eplast1.ru)

**Адрес:** 198099, г. Санкт-Петербург, ул. Калинина, дом 2, корпус 4, литера А.