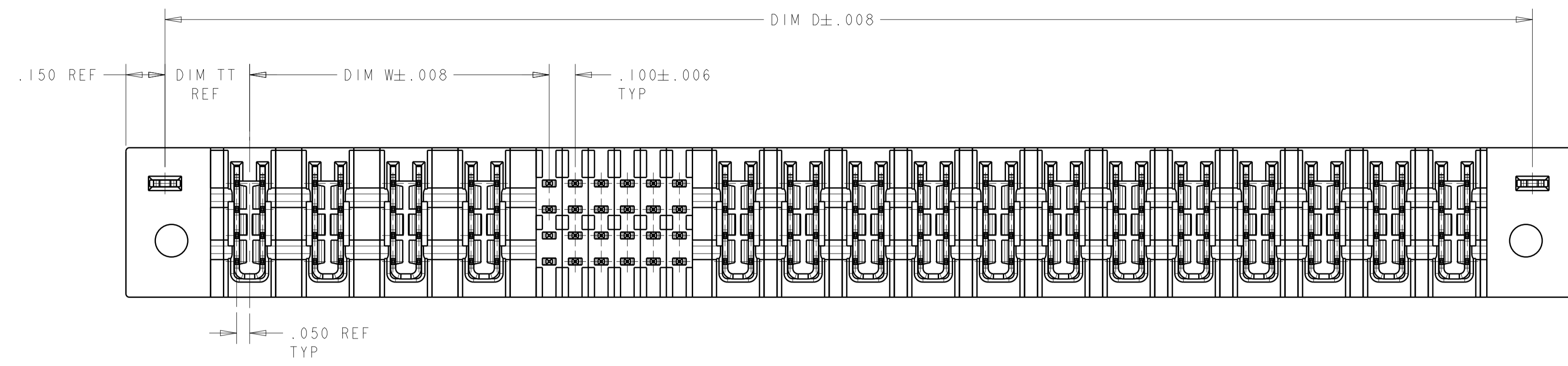
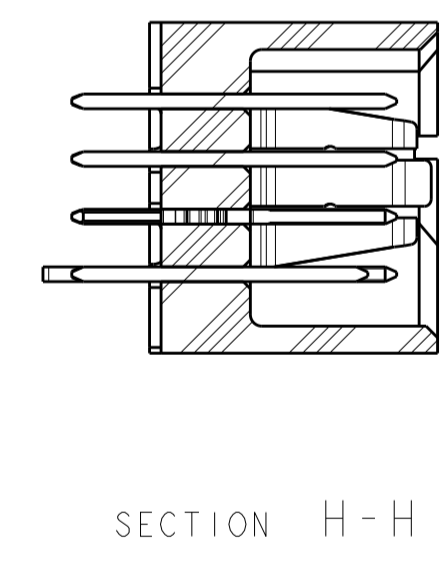
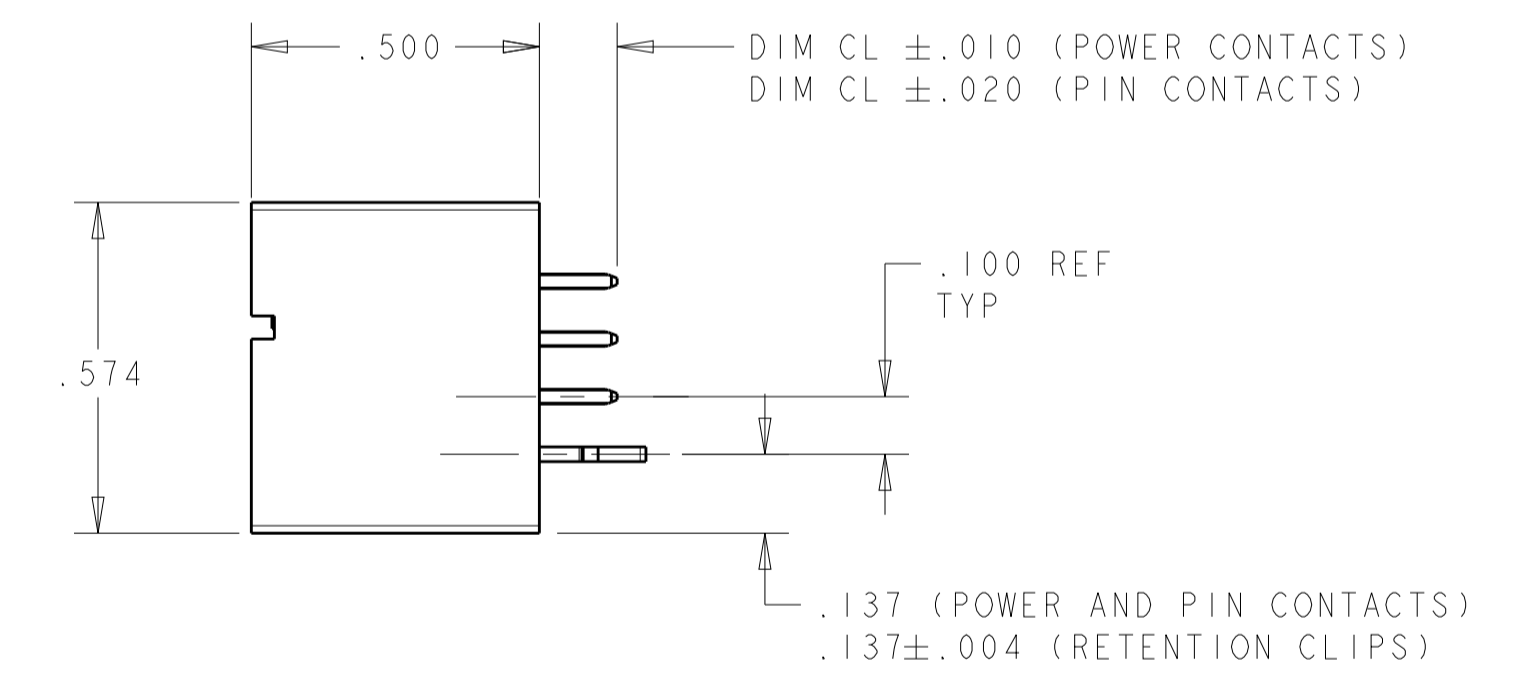
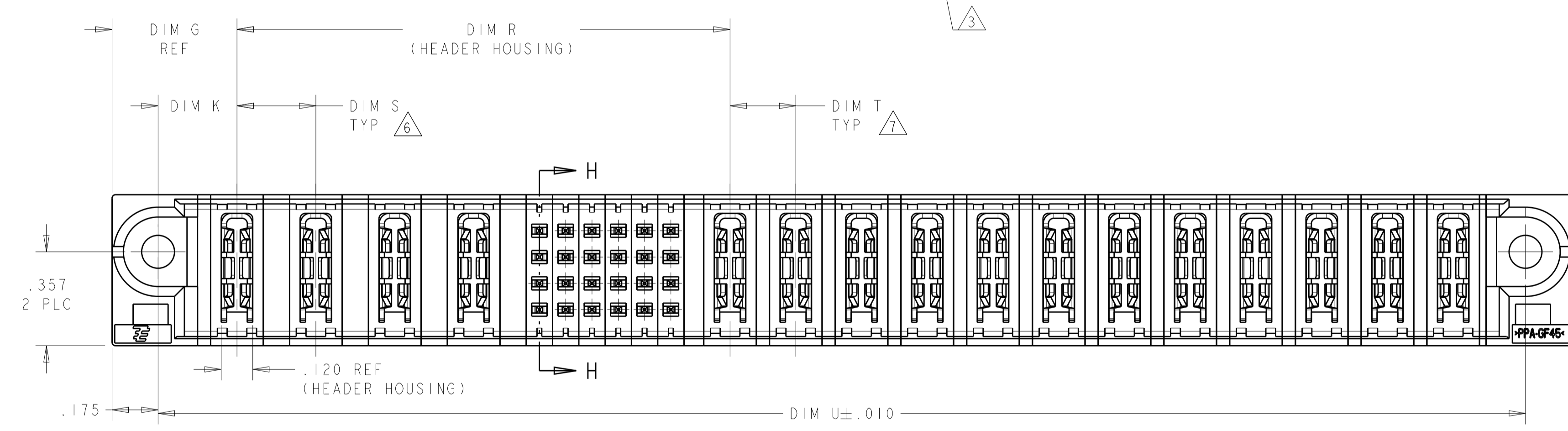
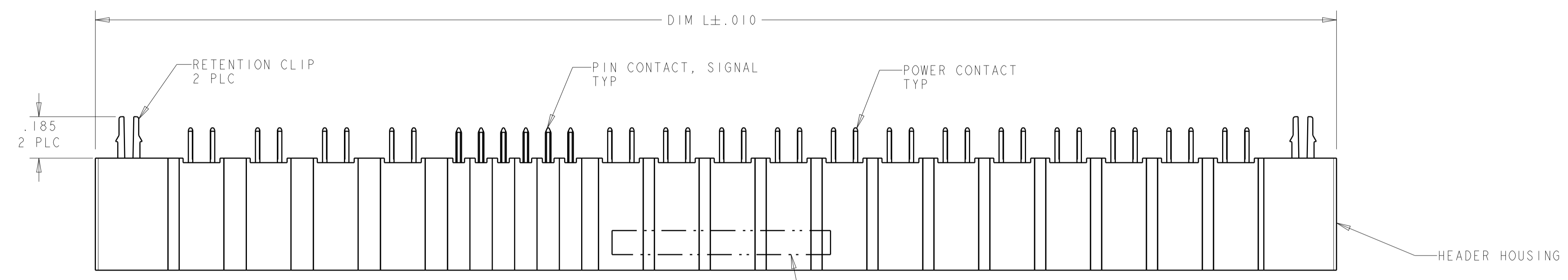


LOC		DIST		REVISIONS			
P	LTN	DESCRIPTION	DATE	DWN	APVD		
J3		ADDED NEW DASH -23.	06DEC2010	IL	SZ		
J4		ADDED NEW DASH NUMBER 2--4	12AUG2012	CZ	SZ		
J6		REV PER ECR-13-014088	06SEP2013	CZ	SZ		
J7		ADD NEW DASH NUMBER 2-5	10FEB2015	CZ	SZ		



- △ 1 HEADER HOUSING: THERMO PLASTIC, BLACK, UL94 V-0; CONTACTS AND RETENTION CLIPS: COPPER ALLOY.
- △ 2 CONTACT PLATING: NOBLE METAL PLATING ON CONTACT FUNCTIONAL AREA OF POWER AND SIGNAL CONTACTS
- △ 3 "AMP", PART NUMBER AND DATE CODE MARKED IN THIS AREA. PARTS UNDER 2.50 LONG MAY BE MARKED ON BOTH SIDES.
- △ 4 DATUM AND BASIC DIMENSIONS ESTABLISHED BY CUSTOMER.
- △ 5 PCB - ALL HOLE DIAMETERS ARE FINISHED HOLE SIZES.
- △ 6 APPLIES TO POWER MODULES ON LEFT SIDE OF SIGNAL CAVITIES OF HOUSING.
- △ 7 APPLIES TO POWER MODULES ON RIGHT SIDE OF SIGNAL CAVITIES OF HOUSING.
- △ 8 MECHANICAL CONNECTOR KEEP OUT ZONE.




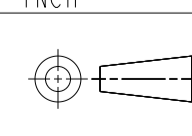
THIS DRAWING IS A CONTROLLED DOCUMENT.

DIMENSIONS: INCH	TOLERANCES UNLESS OTHERWISE SPECIFIED: 0 PLC ±. 1 PLC ±. 2 PLC ±. 3 PLC ±.005 4 PLC ±.0020 ANGLES ±.	DWN: J. McCLINTON 22MAR2005 CHK: D. TROUT 22MAR2005 APVD: B. WHYNE 22MAR2005	NAME: VERTICAL HEADER ASSEMBLY W/ GUIDES AND SOLDER TAILS MULTI-BEAM XL
MATERIAL: △ 1	FINISH: △ 2	PRODUCT SPEC: 108-1973 APPLICATION SPEC: 114-13038 WEIGHT: -	SIZE: A100779 C=6600330 SCALE: 4:1 SHEET 1 OF 10 REV J7
CUSTOMER DRAWING		RESTRICTED TO: -	

THIS DRAWING IS UNPUBLISHED. RELEASED FOR PUBLICATION 20
 © COPYRIGHT 20 TE CONNECTIVITY ALL RIGHTS RESERVED.

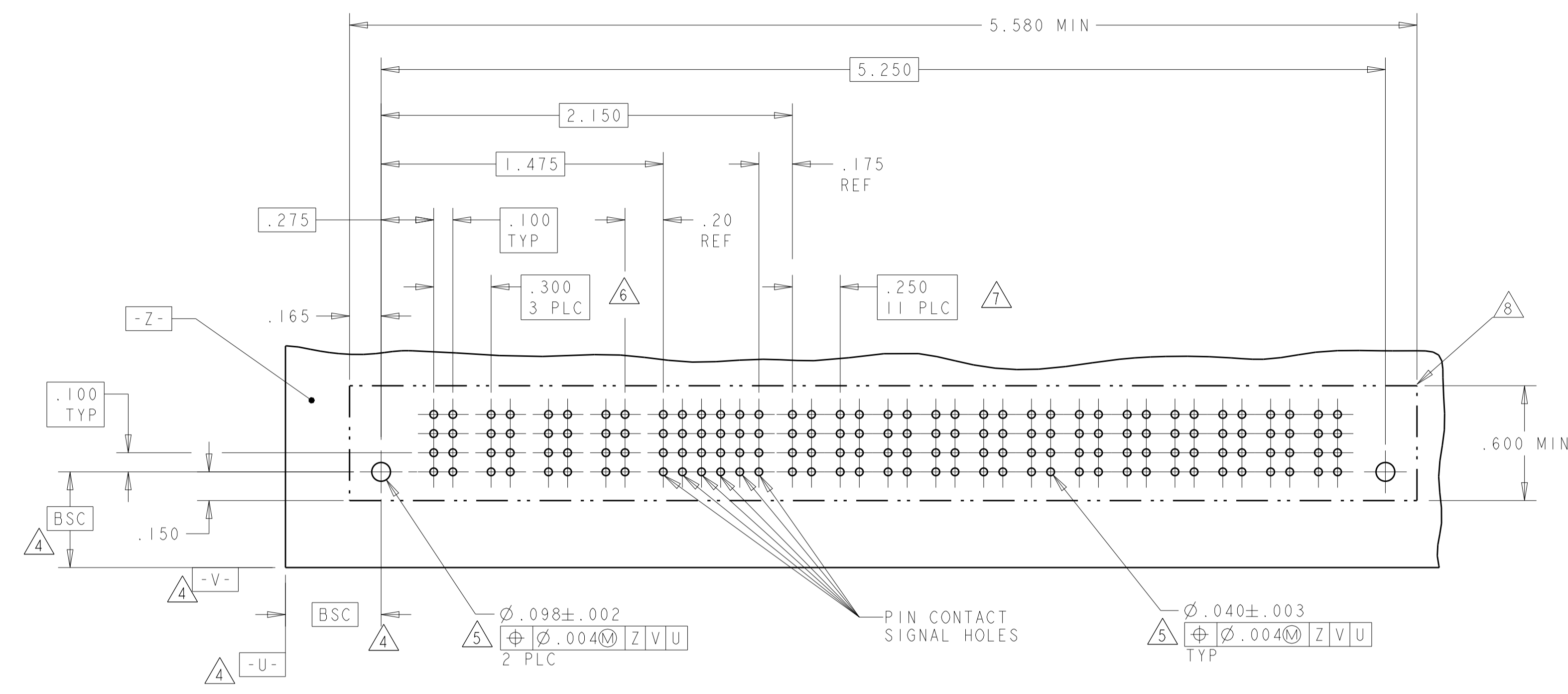
LOC	DIST	REVISIONS					
		P.	LTN	DESCRIPTION	DATE	DWN	APVD
ES	00	-		SEE SHEET 1	-	-	-

DIM "CL"	DIM "TT"	DIM "W"	DIM "U"	DIM "T"	DIM "S"	DIM "R"	DIM "L"	DIM "K"	DIM "G"	DIM "D"	RETENTION CLIP	DESCRIPTION	PART NUMBER
.135	.300	.175	1.600	-	-	1.050	1.950	.275	.450	1.650	YES	1P + 32S + 1P	2-6600330-5
.135	.300	.175	1.300	-	-	.750	1.650	.275	.450	1.350	YES	1P + 20S + 1P	2-6600330-4
.135	.175	-	.400	-	-	-	.750	.200	.375	.450	YES	4S	2-6600330-3
.135	.300	.425	1.600	.250	.250	.800	1.950	.275	.450	1.650	YES	2P + 12S + 2P	2-6600330-1
.135	.300	.925	3.200	.250	.250	1.900	3.550	.275	.450	3.250	YES	4P + 36S + 4P	2-6600330-0
.135	.300	.975	3.000	.250	.250	1.700	3.350	.275	.450	3.050	YES	4P + 24S + 4P	1-6600330-9
.135	.300	.375	2.400	.200	.200	1.650	2.750	.275	.450	2.450	YES	2HDP + 48S + 2HDP	1-6600330-3
.135	.300	.675	2.400	.250	.250	1.350	2.750	.275	.450	2.450	YES	3P + 24S + 3P	1-6600330-2
.135	.325	1.700	4.500	.300	.300	2.400	4.850	.300	.475	4.550	YES	6ACP + 24S + 6ACP	1-6600330-1
.135	.300	2.175	5.400	.250	.250	2.850	5.750	.275	.450	5.450	YES	9P + 24S + 9P	1-6600330-0
.135	.300	.925	2.900	.250	.250	1.600	3.250	.275	.450	2.950	NO	4P + 24S + 4P	6600330-9
.135	.300	.975	3.250	.250	.250	1.700	3.600	.275	.450	3.300	YES	4P + 24S + 5P	6600330-8
.165	.300	.425	1.900	.250	.250	1.100	2.250	.275	.450	1.950	YES	2P + 24S + 2P	6600330-6
.135	.300	1.375	4.000	.200	.200	2.250	4.350	.275	.450	4.050	YES	7P + 32S + 7P	6600330-5
.135	.325	.225	1.575	-	-	.950	1.925	.300	.475	1.625	YES	1P + 24S + 1P	6600330-4
.135	.300	1.975	4.200	.300	.250	2.725	4.550	.275	.450	4.250	YES	8P + 24S + 4ACP	6600330-3
.135	.325	.250	2.500	-	-	1.900	2.850	.300	.475	2.550	YES	1P + 60S + 1P	6600330-2
.135	.325	1.150	5.200	.250	.300	1.875	5.550	.300	.475	5.250	YES	4ACP + 24S + 12P	6600330-1

THIS DRAWING IS A CONTROLLED DOCUMENT.		DWN J. McCLINTON 22MAR2005	 TE Connectivity
DIMENSIONS: INCH		CHK D. TROUT 22MAR2005	
		APVD B. WHYNE 22MAR2005	NAME VERTICAL HEADER ASSEMBLY W/ GUIDES AND SOLDER TAILS MULTI-BEAM XL
TOLERANCES UNLESS OTHERWISE SPECIFIED: 0 PLC ±. 1 PLC ±. 2 PLC ±. 3 PLC ±. 4 PLC ±.002 ANGLES ±.002		PRODUCT SPEC 108-1973 APPLICATION SPEC 114-13038	SIZE A100779
MATERIAL		WEIGHT	RESTRICTED TO
FINISH		CUSTOMER DRAWING	SCALE 4:1 SHEET 2 OF 10 REV J7

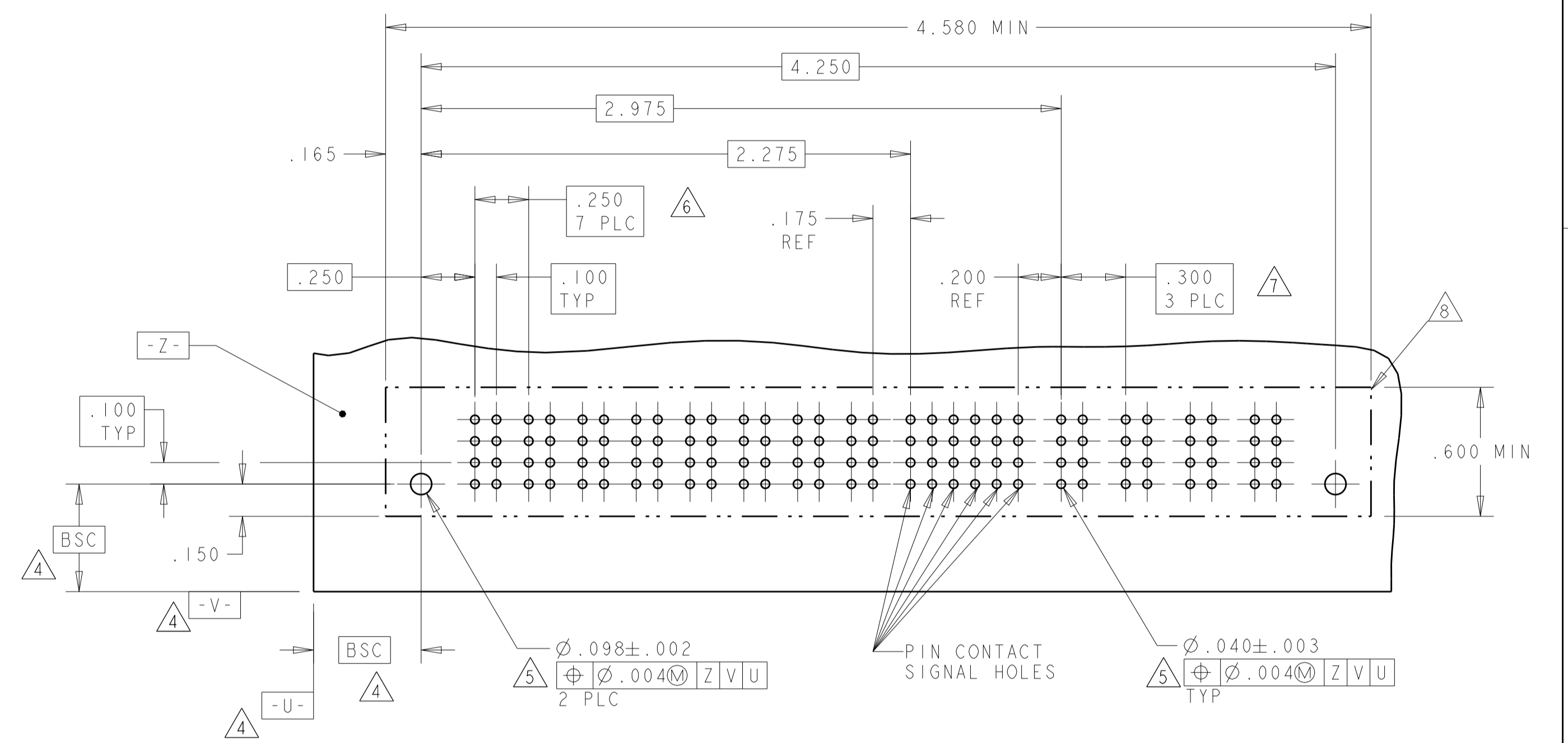
LOC	DIST	REV	DATE	BY	APPV
ES	00				

PART NUMBER	ROWS	POWER				SIGNAL						POWER																	
		P1	P2	P3	P4	1	2	3	4	5	6	P5	P6	P7	P8	P9	P10	P11	P12	P13	P14	P15	P16						
6600330-1	D	SZ	SZ	SZ	SZ	SV	SV	SV	SV	SV	SV	SV	SV	SV	SV	SV	SV	SV	SV	SV	SV	SV	SV						
	C					SV	SV	SV	SV	SV	SV	SV	SV	SV	SV	SV	SV	SV	SV	SV	SV	SV	SV	SV	SV	SV			
	B					SV	SV	SV	SV	SV	SV	SV	SV	SV	SV	SV	SV	SV	SV	SV	SV	SV	SV	SV	SV	SV	SV		
	A					SV	SV	SV	SV	SV	SV	SV	SV	SV	SV	SV	SV	SV	SV	SV	SV	SV	SV	SV	SV	SV	SV		
4P+24S+12P		HD																										HD	



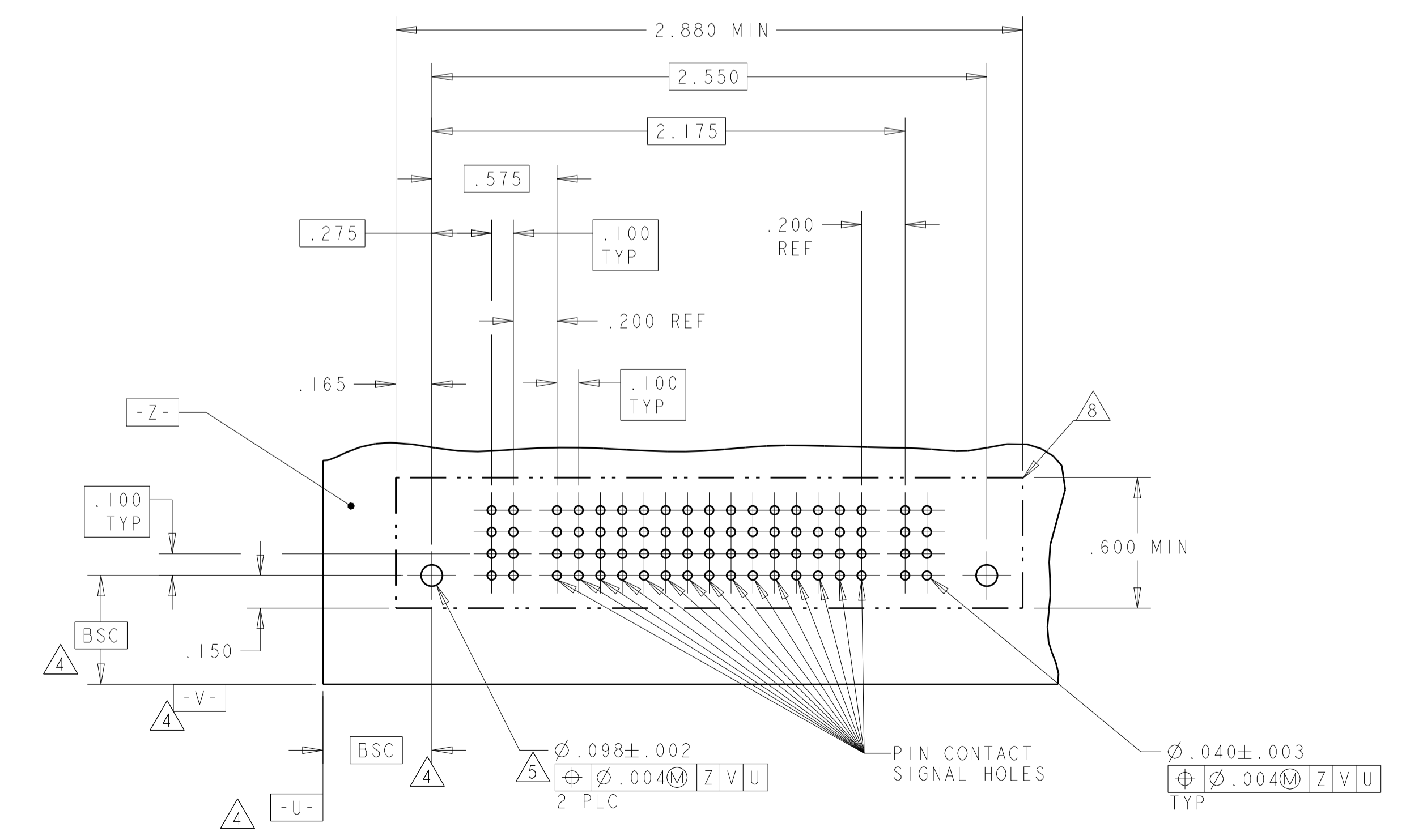
RECOMMENDED PCB LAYOUT 6600330-1
SCALE 2:1

PART NUMBER	ROWS	POWER				SIGNAL						POWER																																	
		P1	P2	P3	P4	P5	P6	P7	P8	1	2	3	4	5	6	P9	P10	P11	P12																										
6600330-3	D	SZ	SZ	SZ	SZ	SZ	SZ	SZ	SZ	SZ	SZ	SZ	SZ	SZ	SZ	SZ	SZ	SZ	SZ	SZ	SZ	SZ	SZ																						
	C																							SV	SV	SV	SV	SV	SV	SV	SV	SV	SV	SV	SV	SV	SV	SV	SV	SV	SV	SV	SV		
	B																							SV	SV	SV	SV	SV	SV	SV	SV	SV	SV	SV	SV	SV	SV	SV	SV	SV	SV	SV	SV	SV	SV
	A																							SV	SV	SV	SV	SV	SV	SV	SV	SV	SV	SV	SV	SV	SV	SV	SV	SV	SV	SV	SV	SV	SV
8P+24S+4ACP		HD																										HD																	



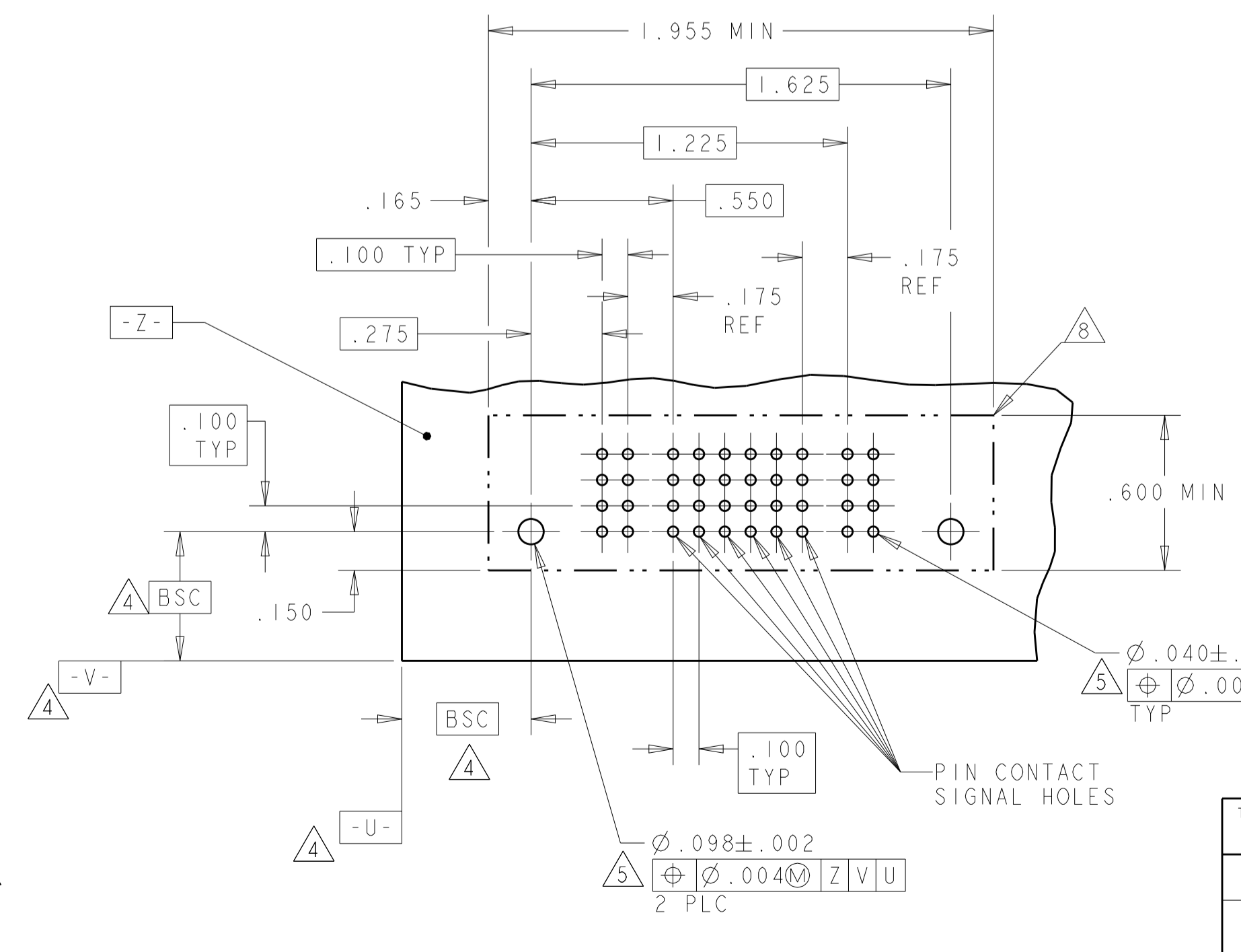
RECOMMENDED PCB LAYOUT 6600330-3
SCALE 2:1

PART NUMBER	ROWS	SIGNAL														POWER													
		P1	1	2	3	4	5	6	7	8	9	10	11	12	13	14	15	P2											
6600330-2	D	SZ	SV	SV	SV	SV	SV	SV	SV	SV	SV	SV	SV	SV	SV	SV	SV	SV	SV	SV	SV	SV	SV	SV					
	C		SV	SV	SV	SV	SV	SV	SV	SV	SV	SV	SV	SV	SV	SV	SV	SV	SV	SV	SV	SV	SV	SV					
	B		SV	SV	SV	SV	SV	SV	SV	SV	SV	SV	SV	SV	SV	SV	SV	SV	SV	SV	SV	SV	SV	SV	SV				
	A		SV	SV	SV	SV	SV	SV	SV	SV	SV	SV	SV	SV	SV	SV	SV	SV	SV	SV	SV	SV	SV	SV	SV				
1P+60S+1P		HD																										HD	



RECOMMENDED PCB LAYOUT 6600330-2
SCALE 2:1

PART NUMBER	ROWS	SIGNAL						POWER							
		P1	1	2	3	4	5	6	P2						
6600330-4	D	SZ	SV	SV	SV	SV	SV	SV	SV	SV	SV	SV			
	C		SV	SV	SV	SV	SV	SV	SV	SV	SV	SV			
	B		SV	SV	SV	SV	SV	SV	SV	SV	SV	SV			
	A		SV	SV	SV	SV	SV	SV	SV	SV	SV	SV			
1P+24S+1P		HD												HD	



RECOMMENDED PCB LAYOUT 6600330-4
SCALE 2:1

STANDARD	DESCRIPTION	IDENTIFIER
-	RETENTION CLIP	HD
STANDARD	SIGNAL CONTACT	SV or MV
MLBF	SIGNAL CONTACT	SS or MS
-	POWER CONTACT	SZ or MP
MATING SEQUENCE	DESCRIPTION	IDENTIFIER

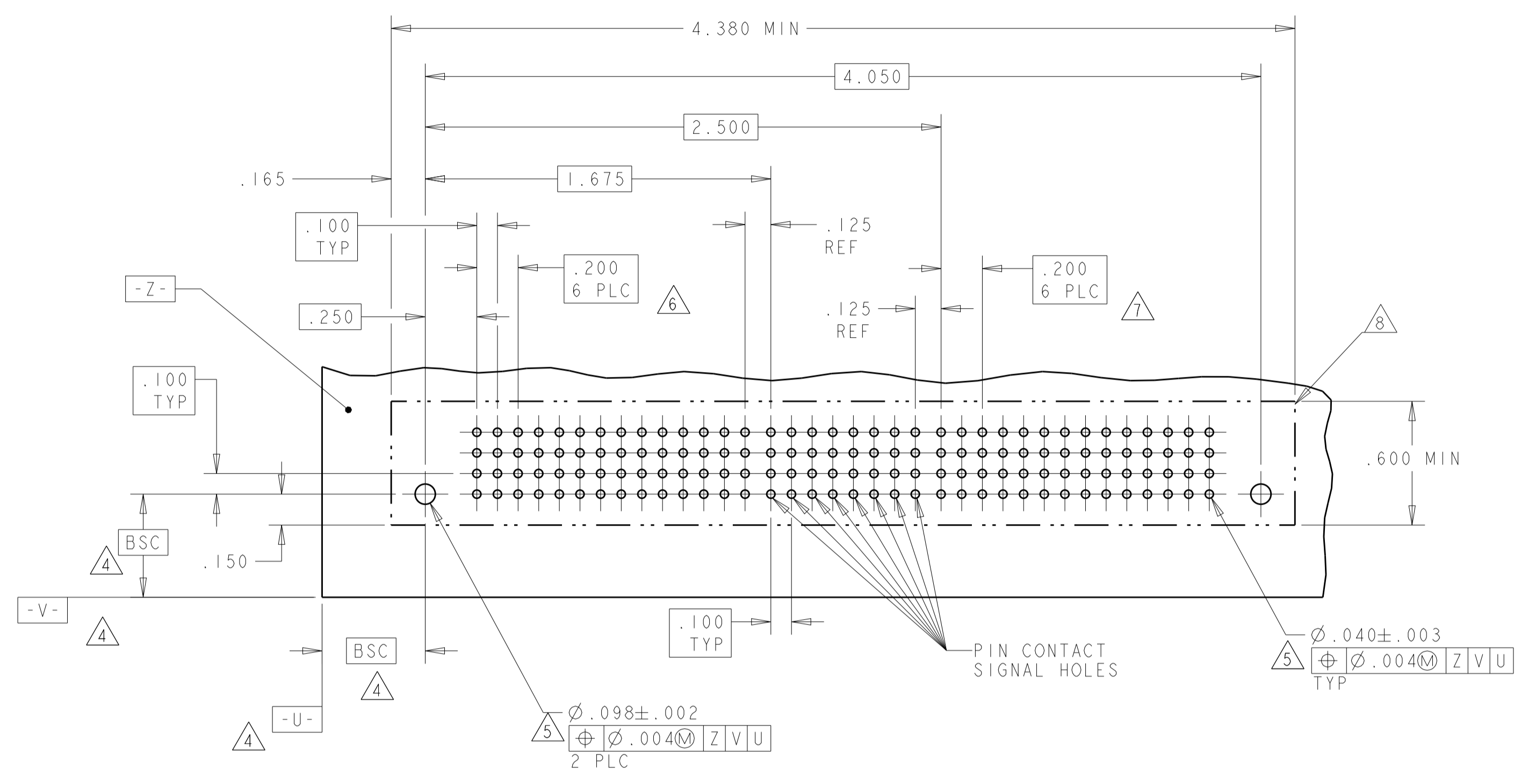
THIS DRAWING IS A CONTROLLED DOCUMENT.

DIMENSIONS: INCH	TOLERANCES UNLESS OTHERWISE SPECIFIED:	OWN: J. McCLINTON 22MAR2005	CHK: D. TROUT 22MAR2005	APV: R. MLYNE 22MAR2005
0 PLC ±	1 PLC ±	2 PLC ±	3 PLC ±	4 PLC ±
ANGLES ±	FINISH	NAME: VERTICAL HEADER ASSEMBLY W/ GUIDES AND SOLDER TAILS MULTI-BEAM XL	SIZE: 114-13038	RESTRICTED TO: -
MATERIAL: -	FINISH: -	SCALE: 4:1	SHEET 3 OF 10	REV J7

CUSTOMER DRAWING

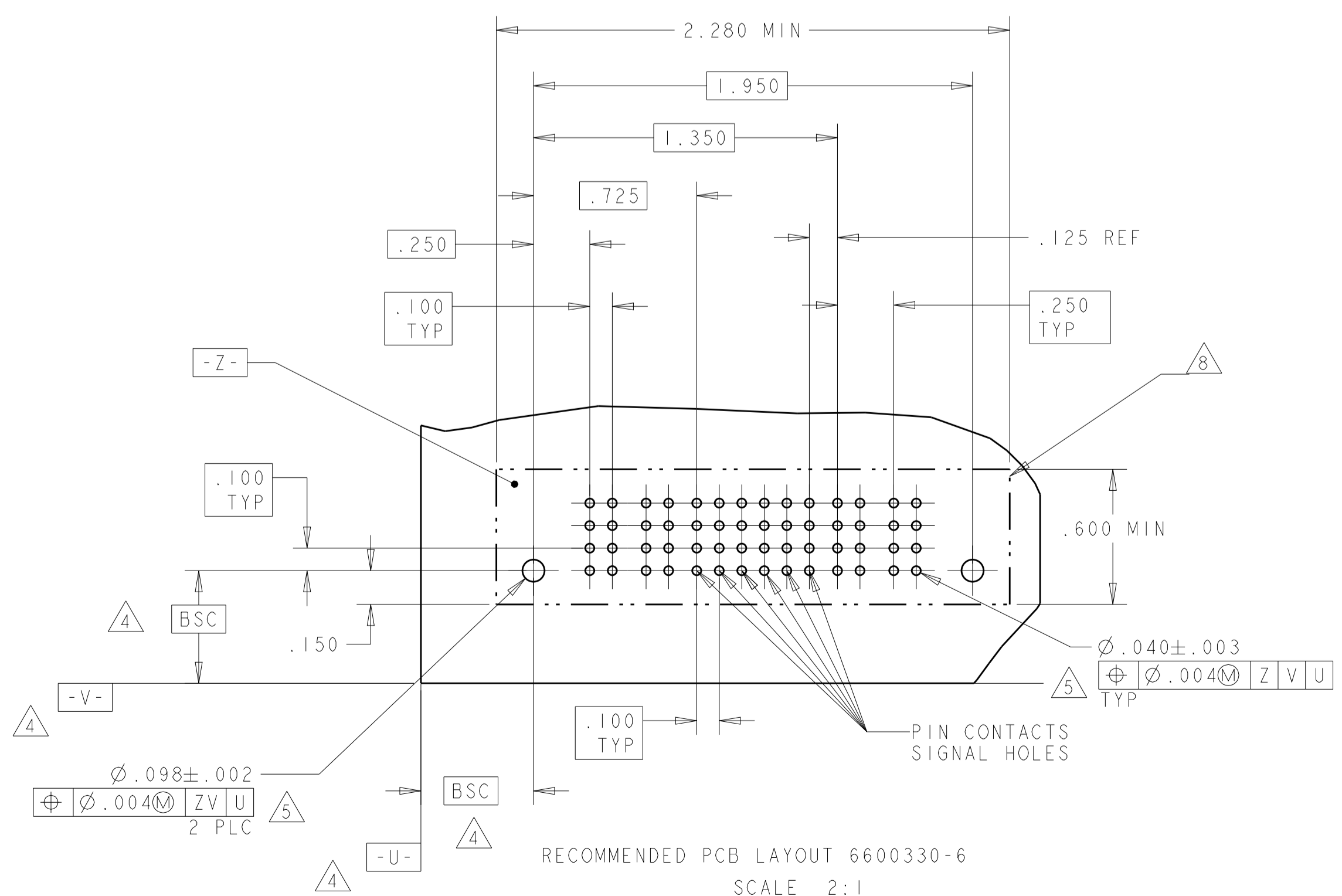
LOC	DIST	REVISIONS			
P	LTN	DESCRIPTION	DATE	OWN	APVD
ES	00	SEE SHEET 1			

PART NUMBER	ROWS	POWER						SIGNAL								POWER												
		P1	P2	P3	P4	P5	P6	P7	1	2	3	4	5	6	7	8	P8	P9	P10	P11	P12	P13	P14					
6600330-5	D	SZ	SZ	SZ	SZ	SZ	SZ	SV	SV	SV	SV	SV	SV	SV	SV	SZ	SZ	SZ	SZ	SZ	SZ	SZ						
	SV							SV	SV	SV	SV	SV	SV	SV														
	SV							SV	SV	SV	SV	SV	SV	SV														
	SV							SV	SV	SV	SV	SV	SV	SV														
7P+32S+7P	HD																											HD



RECOMMENDED PCB LAYOUT 6600330-5
 SCALE 2:1

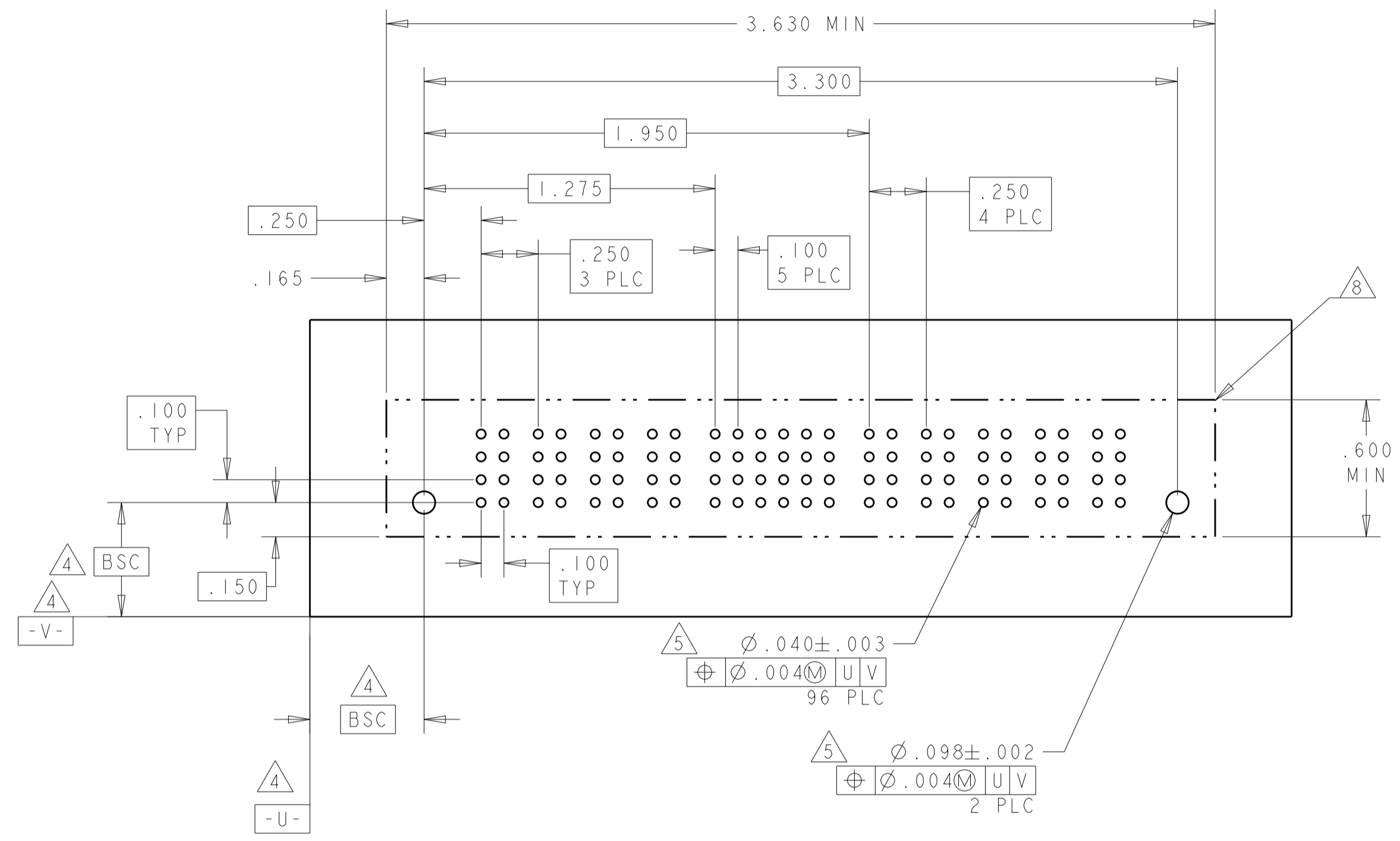
PART NUMBER	ROWS	POWER		SIGNAL						POWER		
		P1	P2	1	2	3	4	5	6	P3	P4	
6600330-6	D	MP	MP	MV	MV	MS	MV	MV	MV	MP	MP	
	MV			MV	MV	MV	MV	MV				
	MV			MV	MS	MV	MV	MV				
	MV			MV	MV	MV	MV	MV				
2P+24S+2P	HD											HD



RECOMMENDED PCB LAYOUT 6600330-6
 SCALE 2:1

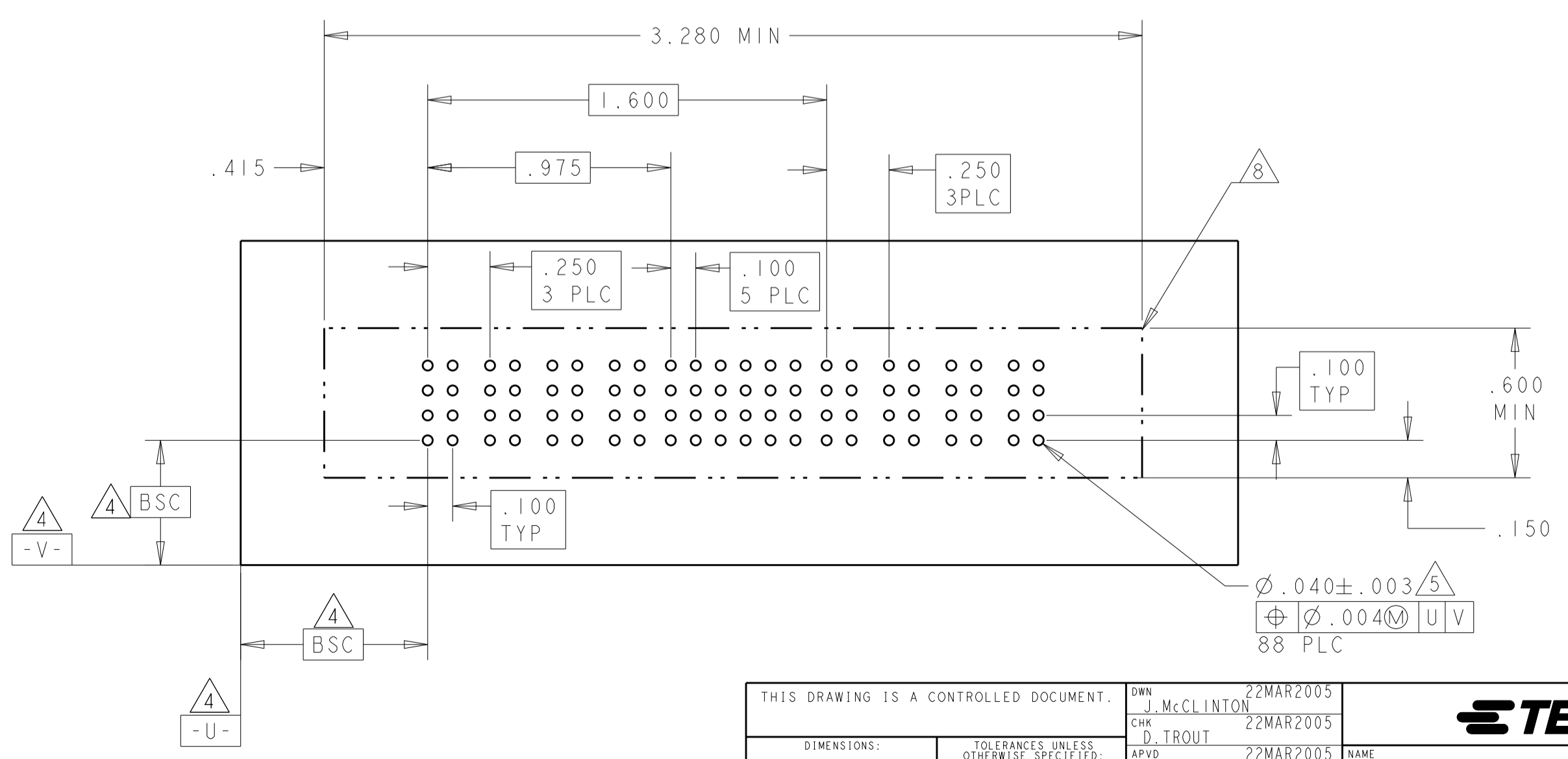
PART NUMBER	ROWS	POWER				SIGNAL					POWER						
		P1	P2	P3	P4	1	2	3	4	5	6	P5	P6	P7	P8	P9	
6600330-8	D	SZ	SZ	SZ	SZ	SS	SV	SS	SV	SV		SZ	SZ	SZ	SZ	SZ	
	SV					SV	SV	SV	SV								
	SV					SS	SV	SS	SV								
	SS					SS	SV	SV	SS								
4P+24S+5P	HD																HD

NO CONTACTS LOADED



RECOMMENDED PCB LAYOUT FOR 6600330-8

PART NUMBER	ROWS	POWER				SIGNAL						POWER				
		P1	P2	P3	P4	1	2	3	4	5	6	P5	P6	P7	P8	
6600330-9	D	SZ	SZ	SZ	SZ	SV	SV	SV	SV	SV	SV	SZ	SZ	SZ	SZ	
	SV					SV	SV	SV	SV	SV						
	SV					SV	SV	SV	SV	SV						
	SV					SV	SV	SV	SV	SV						
4P+24S+4P																



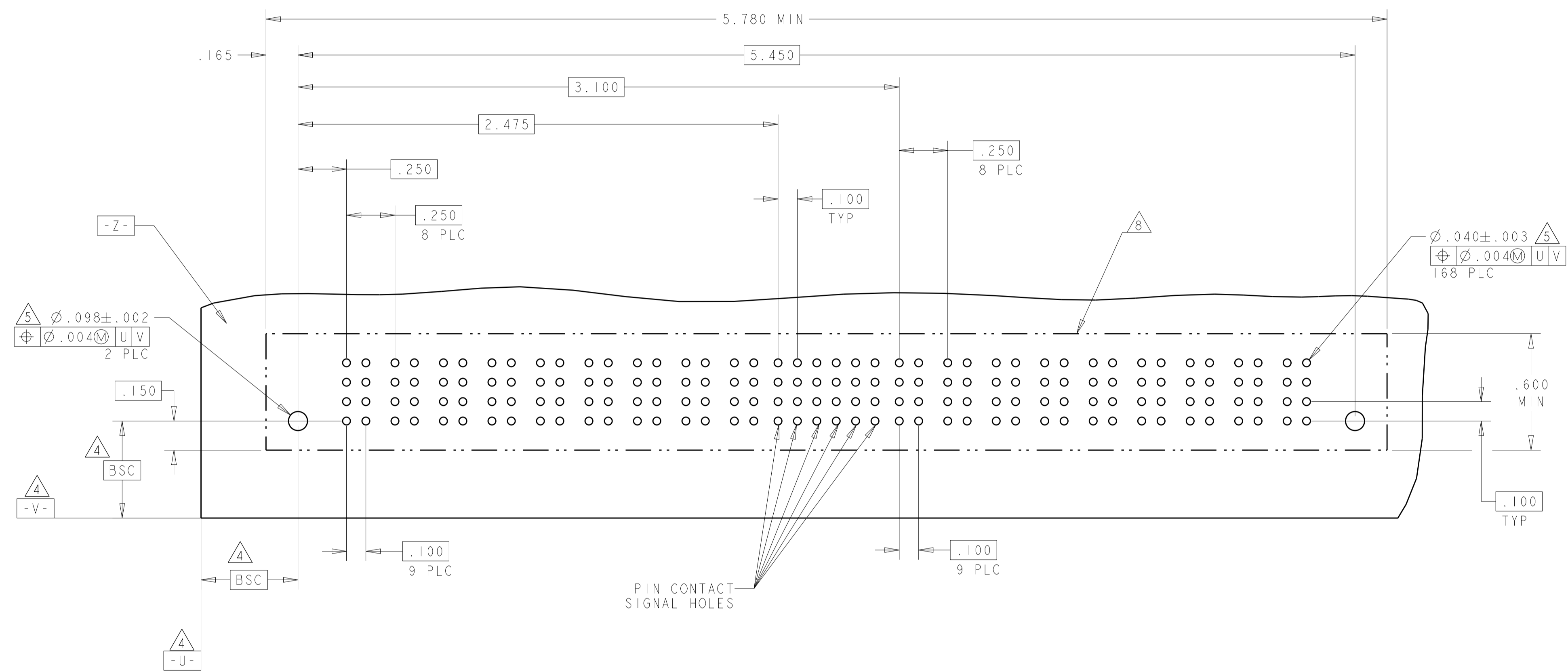
THIS DRAWING IS A CONTROLLED DOCUMENT. OWN: J. McCLINTON 22MAR2005
 CHK: D. TROUT 22MAR2005
 APVD: B. MLYNE 22MAR2005

DIMENSIONS: INCH	TOLERANCES UNLESS OTHERWISE SPECIFIED:	PRODUCT SPEC	NAME
0 PLC ± .010	1 PLC ± .005	108-1973	VERTICAL HEADER ASSEMBLY W/ GUIDES AND SOLDER TAILS MULTI-BEAM XL
2 PLC ± .005	3 PLC ± .002	APPLICATION SPEC	SIZE CAGE CODE DRAWING NO
4 PLC ± .002	ANGLES ± .002	114-13038	A100779C=6600330
MATERIAL	FINISH	WEIGHT	RESTRICTED TO

CUSTOMER DRAWING SCALE 4:1 SHEET 4 OF 10 REV J7

LOC	DIST	REVISIONS					
		P	LTN	DESCRIPTION	DATE	DMN	APVD
ES	00	-	-	SEE SHEET 1	-	-	-

PART NUMBER	ROWS	POWER									SIGNAL						POWER													
		P1	P2	P3	P4	P5	P6	P7	P8	P9	1	2	3	4	5	6	PI0	PI1	PI2	PI3	PI4	PI5	PI6	PI7	PI8					
I-6600330-0	D		SZ	SZ	SZ	SZ	SZ	SZ	SZ	SZ	SV	SV	SV	SV	SV	SV	SZ	SZ	SZ	SZ	SZ	SZ	SZ	SZ	SZ					
	SV										SV	SV	SV	SV	SV															
	SV										SV	SV	SV	SV	SV															
	SV										SV	SV	SV	SV	SV															
9P+24S+9P	HD																													HD



THIS DRAWING IS A CONTROLLED DOCUMENT.

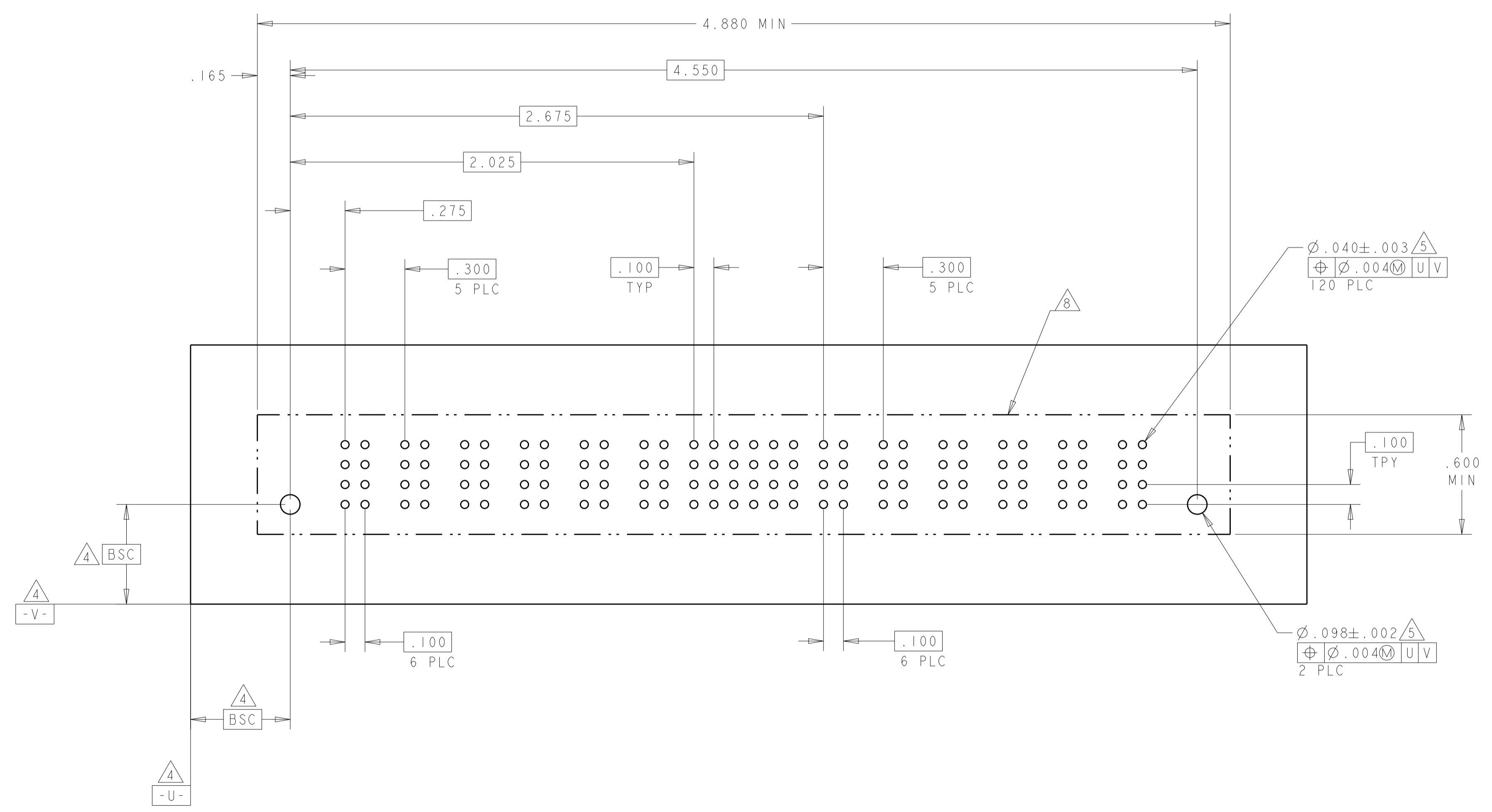
DIMENSIONS: INCH	TOLERANCES UNLESS OTHERWISE SPECIFIED: 0 PLC ± 1 PLC ± 2 PLC ± 3 PLC ±.005 4 PLC ±.0020 ANGLES ±	FINISH	FINISH
---------------------	--	--------	--------

DMN J. McCLINTON 22MAR2005	CHK D. TROUT 22MAR2005	APVD B. WHYNE 22MAR2005	NAME VERTICAL HEADER ASSEMBLY W/ GUIDES AND SOLDER TAILS MULTI-BEAM XL
PRODUCT SPEC 108-1973			RESTRICTED TO
APPLICATION SPEC 114-13038			SIZE A100779
WEIGHT			CAGE CODE 6600330
MATERIAL			CUSTOMER DRAWING
SCALE 4:1			SHEET 5 OF 10
REV J7			

4805 (3/11)

LOC	DIST	REVISIONS					
		P	LTN	DESCRIPTION	DATE	DWN	APVD
ES	00	-	-	SEE SHEET 1	-	-	-

PART NUMBER	ROWS	POWER						SIGNAL						POWER						
		P1	P2	P3	P4	P5	P6	1	2	3	4	5	6	P7	P8	P9	P10	P11	P12	
I-6600330-1	D	SZ	SZ	SZ	SZ	SZ	SZ	SV	SV	SV	SV	SV	SV	SZ	SZ	SZ	SZ	SZ	SZ	
	C							SS	SS	SS	SS	SS	SS							
	B							SS	SS	SS	SS	SS	SS							
	A							SS	SS	SS	SS	SS	SS							
6ACP+24S+6ACP	HD																			HD

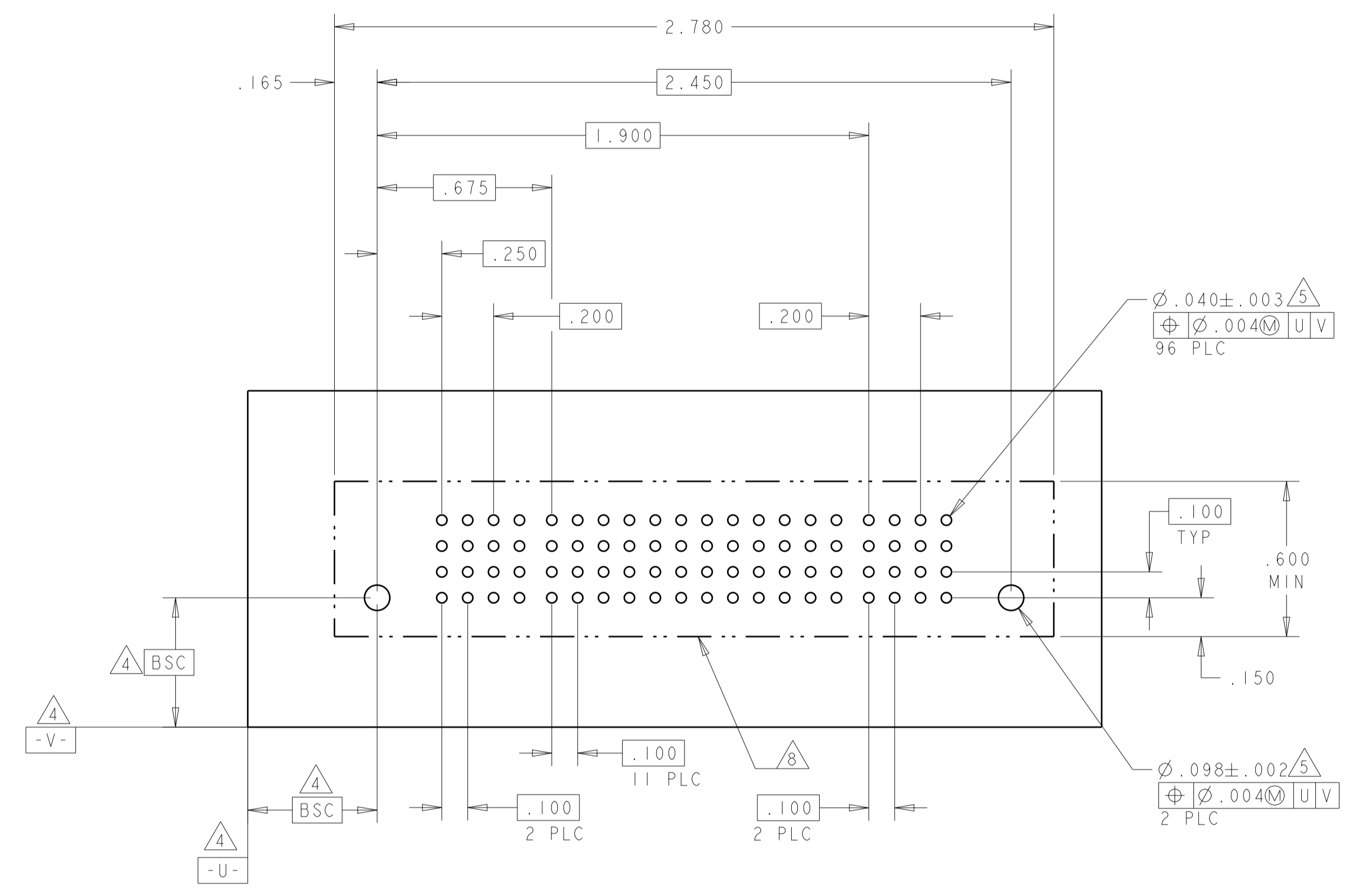
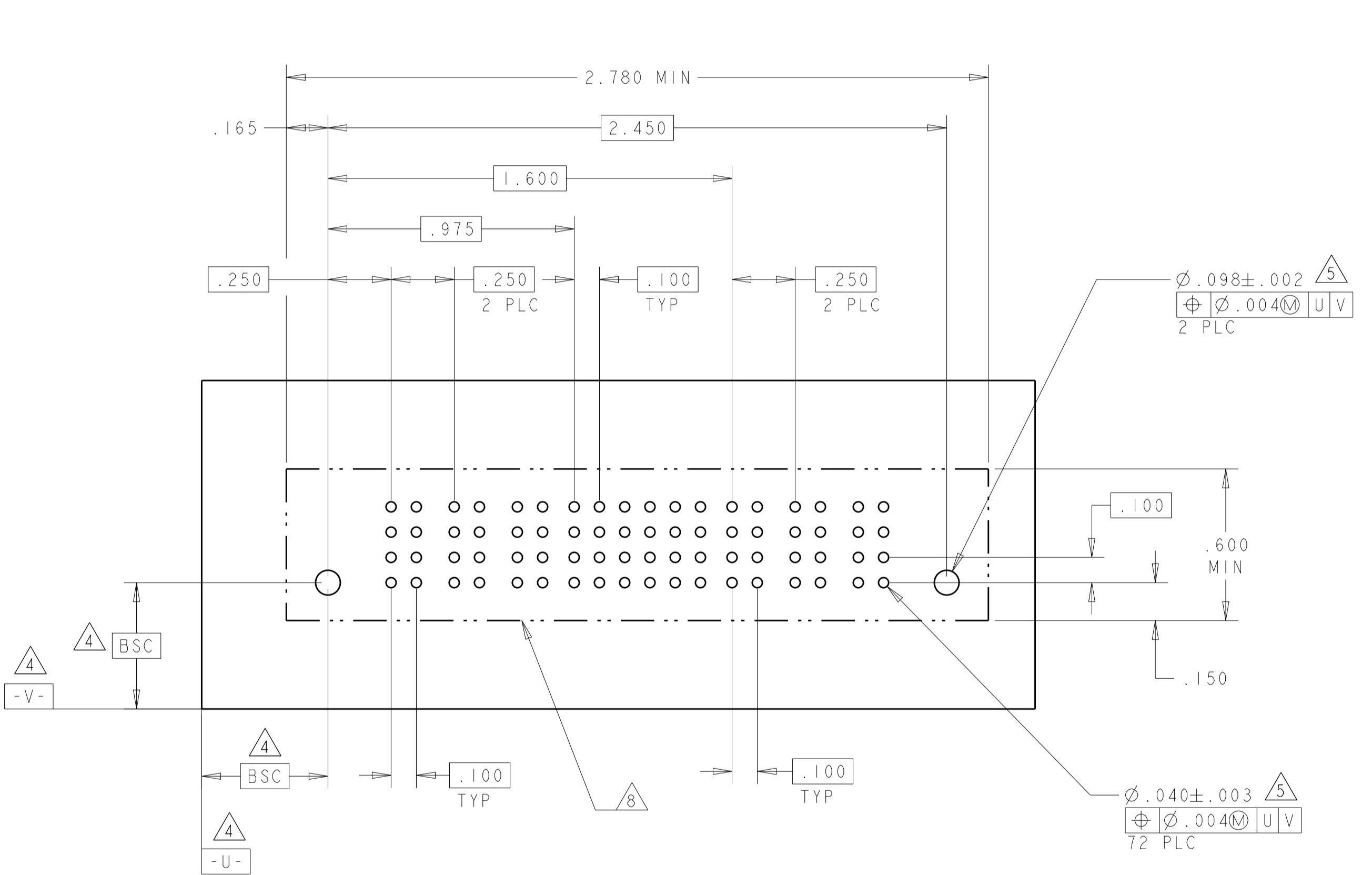


THIS DRAWING IS A CONTROLLED DOCUMENT.		DWN J. McCLINTON 22MAR2005															
DIMENSIONS: INCH		CHK D. TROUT 22MAR2005															
TOLERANCES UNLESS OTHERWISE SPECIFIED:		APVD B. WHYNE 22MAR2005	NAME VERTICAL HEADER ASSEMBLY W/ GUIDES AND SOLDER TAILS MULTI-BEAM XL														
<table border="1"> <tr> <td>0 PLC</td> <td>±</td> </tr> <tr> <td>1 PLC</td> <td>±</td> </tr> <tr> <td>2 PLC</td> <td>±</td> </tr> <tr> <td>3 PLC</td> <td>±</td> </tr> <tr> <td>4 PLC</td> <td>±.005</td> </tr> <tr> <td>ANGLES</td> <td>±.0020</td> </tr> <tr> <td>FINISH</td> <td></td> </tr> </table>		0 PLC	±	1 PLC	±	2 PLC	±	3 PLC	±	4 PLC	±.005	ANGLES	±.0020	FINISH		PRODUCT SPEC 108-1973	SIZE A100779
0 PLC	±																
1 PLC	±																
2 PLC	±																
3 PLC	±																
4 PLC	±.005																
ANGLES	±.0020																
FINISH																	
MATERIAL		APPLICATION SPEC 114-13038	CAGE CODE DRAWING NO C=6600330														
		WEIGHT	RESTRICTED TO														
		CUSTOMER DRAWING	SCALE 4:1 SHEET 6 OF 10 REV J7														

LOC	DIST	REVISIONS			
P	LTN	DESCRIPTION	DATE	DNW	APVD
ES	00	SEE SHEET 1			

PART NUMBER	ROWS	POWER			SIGNAL						POWER		
		P1	P2	P3	1	2	3	4	5	6	P4	P5	P6
I-6600330-2	D	SZ	SZ	SZ	SV	SV	SV	SV	SV	SV	SZ	SZ	SZ
	C				SV	SV	SV	SV	SV	SV			
	B				SV	SV	SV	SV	SV	SV			
	A				SV	SV	SV	SV	SV	SV			
3P + 24S + 3P													

PART NUMBER	ROWS	POWER		SIGNAL												POWER				
		P1	P2	1	2	3	4	5	6	7	8	9	10	11	12	P3	P4			
I-6600330-3	D	SZ	SZ	SV	SV	SS	SS	SV	SS	SS	SV	SS	SS	SV	SS	SS	SV	SS	SS	
	C			SS	SS	SV	SS	SS	SS	SS	SV	SS	SS	SS	SS	SS	SS	SS	SS	SS
	B			SV	SV	SS	SS	SS	SS	SS	SS	SV	SS	SS	SS	SS	SS	SS	SS	SS
	A			SS	SS	SV	SS	SS	SS	SS	SS	SV	SS	SS	SS	SS	SS	SS	SS	SS
2HDP + 48S + 2HDP																				

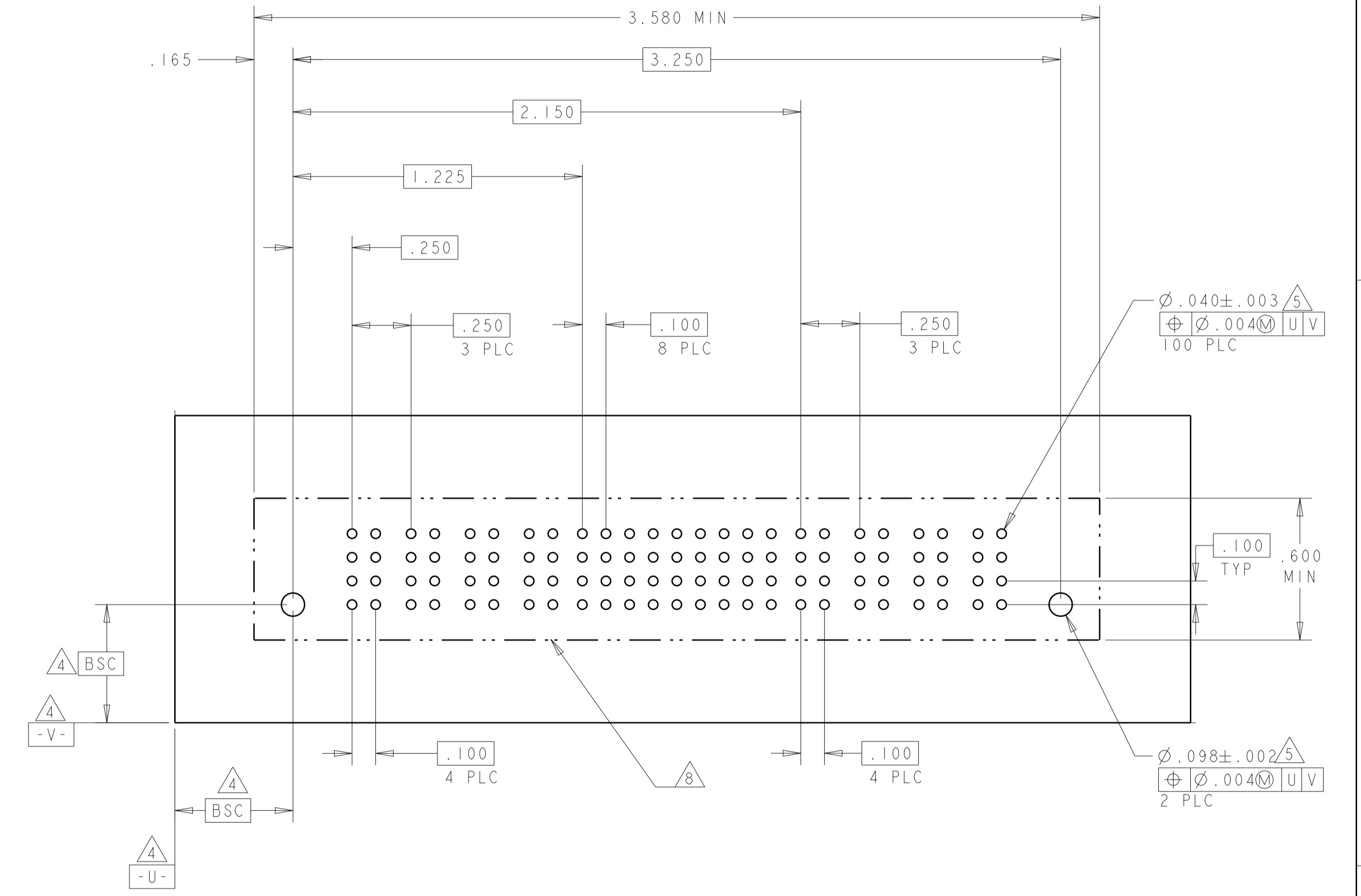
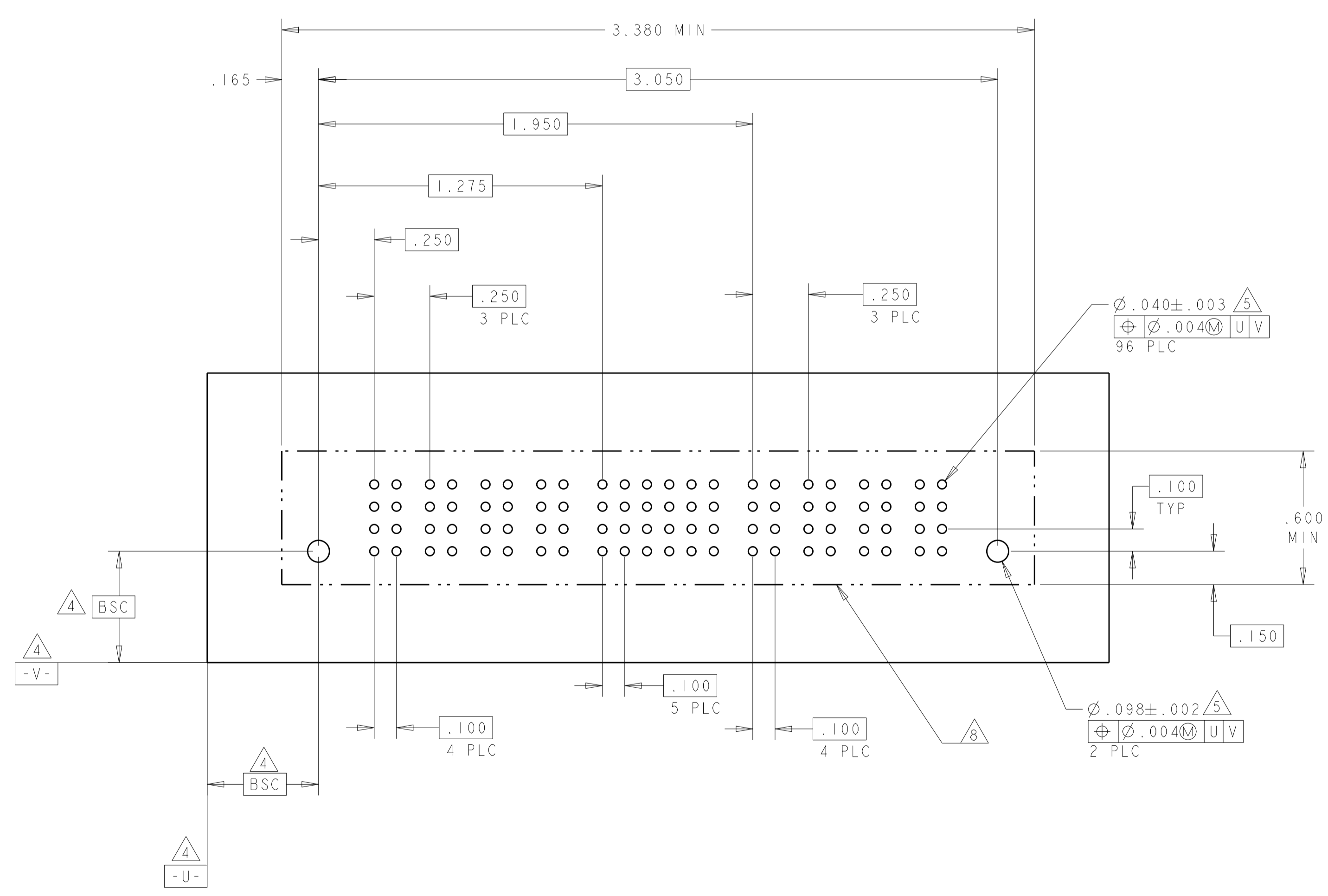


THIS DRAWING IS A CONTROLLED DOCUMENT.		DNW J. McCLINTON 22MAR2005	 TE Connectivity												
DIMENSIONS: INCH		CHK D. TROUT 22MAR2005													
TOLERANCES UNLESS OTHERWISE SPECIFIED:		APVD B. WHYNE 22MAR2005	NAME VERTICAL HEADER ASSEMBLY W/ GUIDES AND SOLDER TAILS MULTI-BEAM XL												
<table border="1"> <tr> <td>0 PLC</td> <td>±</td> </tr> <tr> <td>1 PLC</td> <td>±</td> </tr> <tr> <td>2 PLC</td> <td>±</td> </tr> <tr> <td>3 PLC</td> <td>±.005</td> </tr> <tr> <td>4 PLC</td> <td>±.0020</td> </tr> <tr> <td>ANGLES</td> <td>±</td> </tr> </table>		0 PLC	±	1 PLC	±	2 PLC	±	3 PLC	±.005	4 PLC	±.0020	ANGLES	±	PRODUCT SPEC 108-1973	SIZE A100779
0 PLC	±														
1 PLC	±														
2 PLC	±														
3 PLC	±.005														
4 PLC	±.0020														
ANGLES	±														
MATERIAL		APPLICATION SPEC 114-13038	CAGE CODE C=6600330												
FINISH		WEIGHT	RESTRICTED TO												
		CUSTOMER DRAWING	SCALE 4:1 SHEET 7 OF 10 REV J7												

LOC		DIST		REVISIONS				
P	LTN	DESCRIPTION	DATE	DMN	APVD			
-	-	SEE SHEET 1	-	-	-			

PART NUMBER	ROWS	POWER				SIGNAL						POWER				
		P1	P2	P3	P4	1	2	3	4	5	6	P5	P6	P7	P8	
1-6600330-9	D	SZ	SZ	SZ	SZ	SS	SS	SS	SS	SV	SS	SZ	SZ	SZ	SZ	
	C					SS	SS	SS	SS	SV	SS					
	B					SS	SS	SS	SS	SV	SS					
	A					SS	SS	SV	SS	SV	SS					
4P+24S+4P		HD														HD

PART NUMBER	ROWS	POWER				SIGNAL									POWER								
		P1	P2	P3	P4	1	2	3	4	5	6	7	8	9	P5	P6	P7	P8					
2-6600330-0	D	SZ	SZ	SZ	SZ	SV	SV	SV	SV	SV	SV	SV	SV	SV	SV	SV	SV	SZ	SZ	SZ	SZ		
	C					SV	SV	SV	SV	SV	SV	SV	SV	SV	SV								
	B					SV	SV	SV	SV	SV	SV	SV	SV	SV	SV								
	A					SV	SV	SV	SV	SV	SV	SV	SV	SV	SV								
4P+36S+4P		HD																					HD



THIS DRAWING IS A CONTROLLED DOCUMENT.

DIMENSIONS:	TOLERANCES UNLESS OTHERWISE SPECIFIED:	DMN	J. McCLINTON	22MAR2005
INCH	0 PLC ±	CHK	D. TROUT	22MAR2005
	1 PLC ±	APVD	P. WHYNE	22MAR2005
	2 PLC ±	PRODUCT SPEC		
	3 PLC ±	APPLICATION SPEC		
	4 PLC ±	114-13038		
	ANGLES ±	WEIGHT		
	FINISH	CUSTOMER DRAWING		

NAME: VERTICAL HEADER ASSEMBLY W/ GUIDES AND SOLDER TAILS MULTI-BEAM XL

SIZE: A1 00779 C=6600330

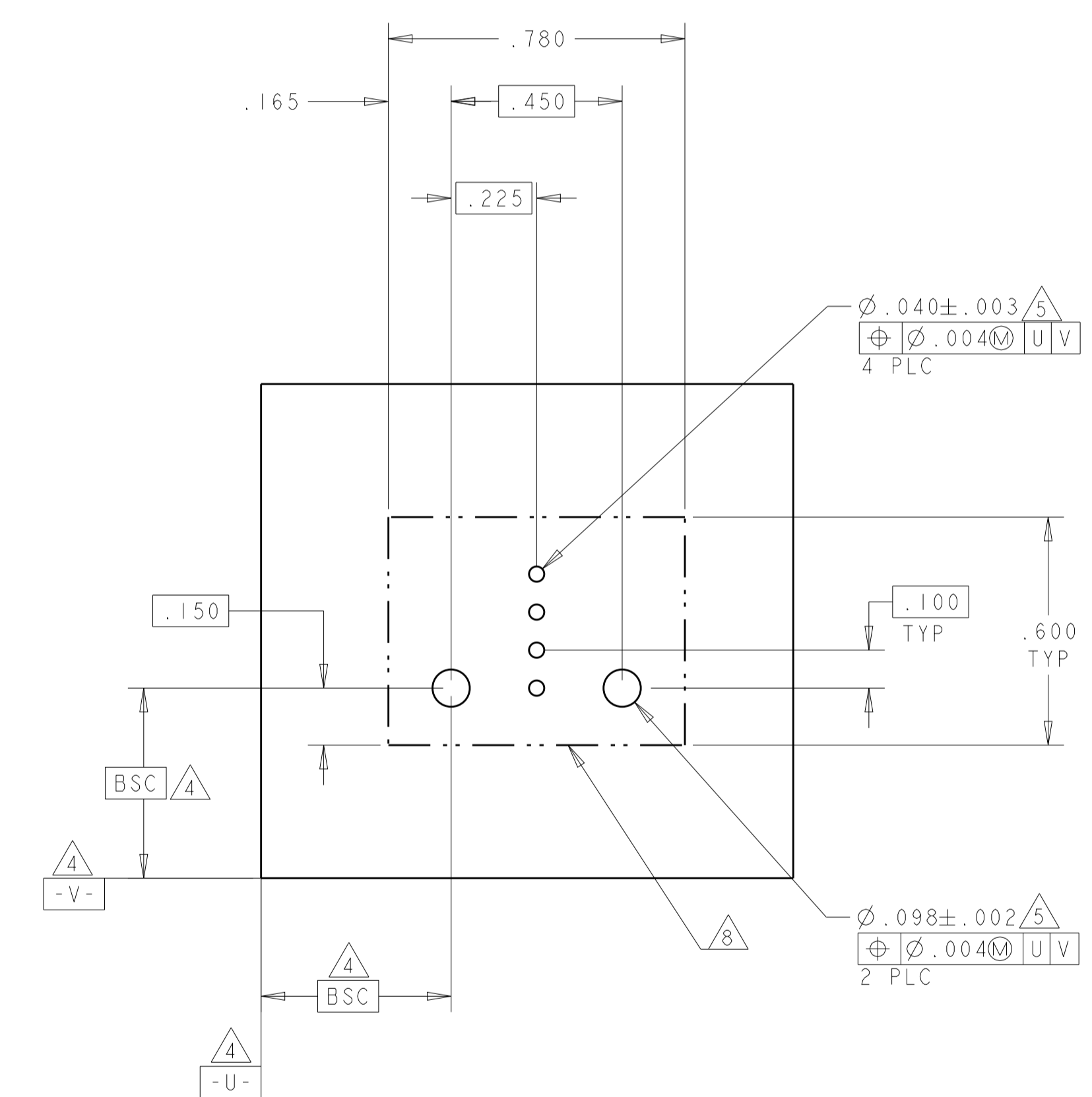
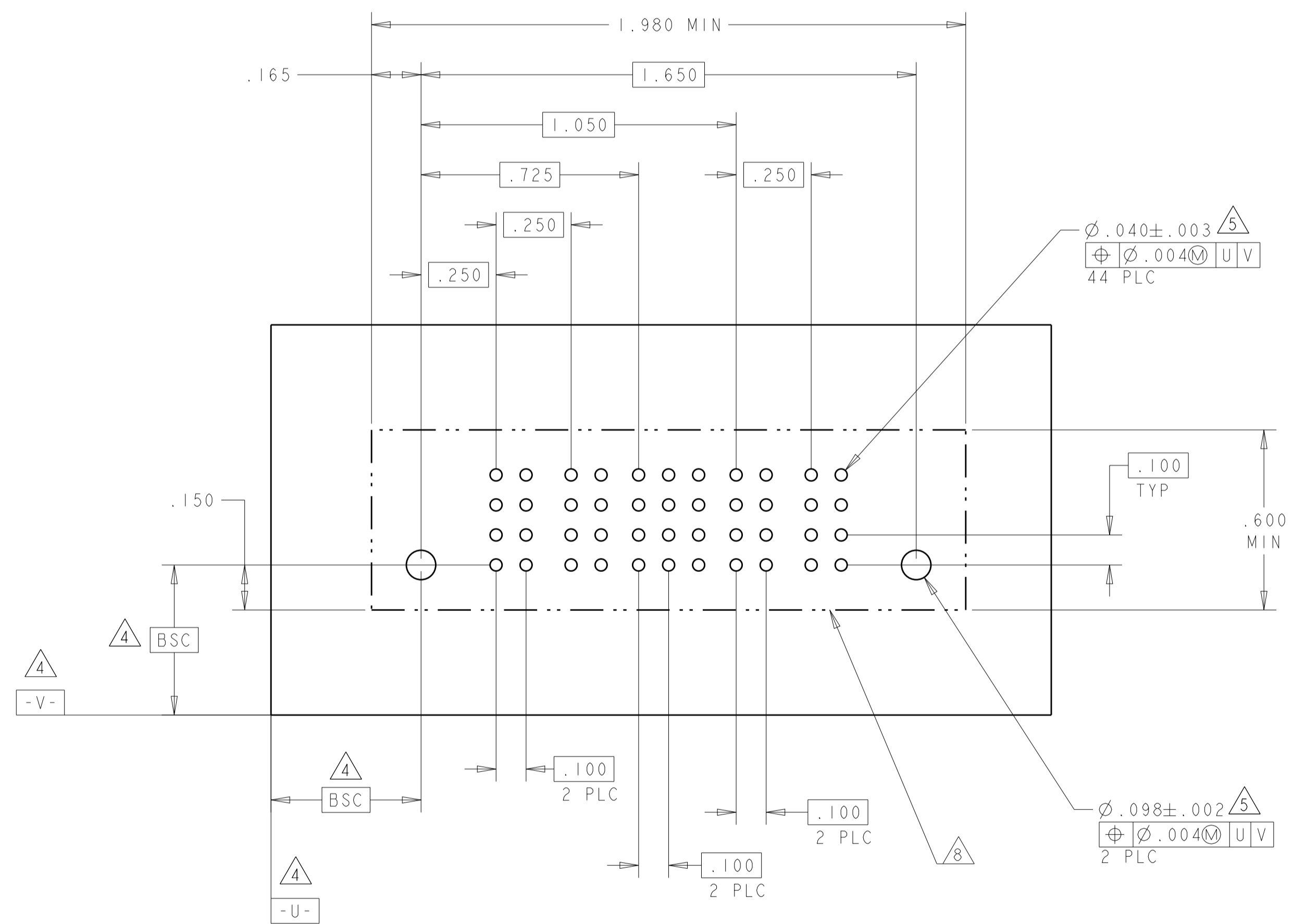
SCALE: 4:1 SHEET: 8 OF 10 REV: J7

LOC		DIST		REVISIONS				
P	LTN	DESCRIPTION	DATE	DMN	APVD			
-	-	SEE SHEET 1	-	-	-			

PART NUMBER	ROWS	POWER		SIGNAL			POWER	
		P1	P2	1	2	3	P3	P4
2-6600330-1	D	SZ	SZ	SV	SV	SV	SZ	SZ
	C			SV	SV	SV		
	B			SV	SV	SV		
	A			SV	SV	SV		
2P + 12S + 2P		HD					HD	

PART NUMBER	ROWS	SIGNAL	
		1	2
2-6600330-3	D	SV	
	C	SV	
	B	SV	
	A	SV	
4S		HD	HD

J3

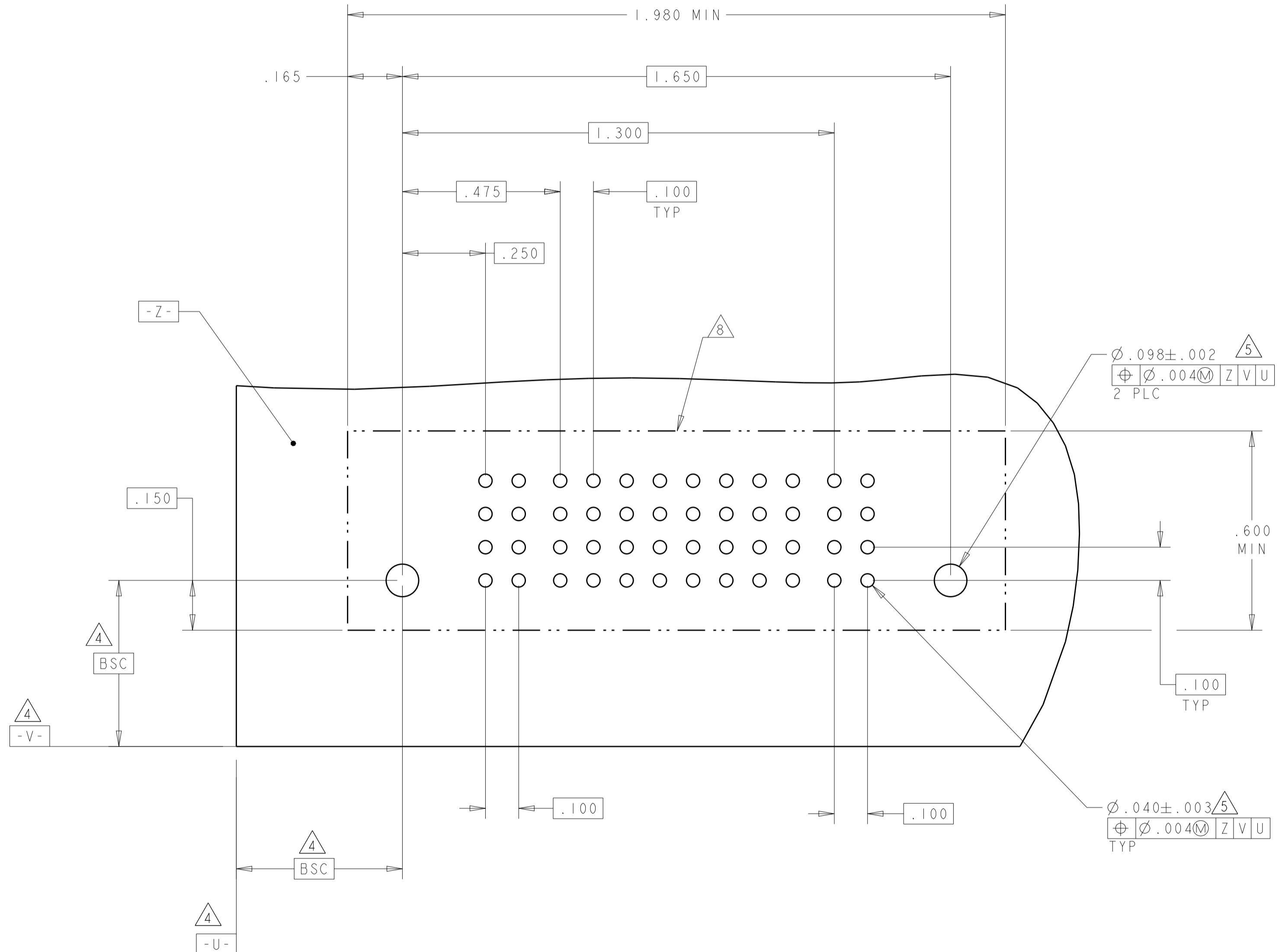
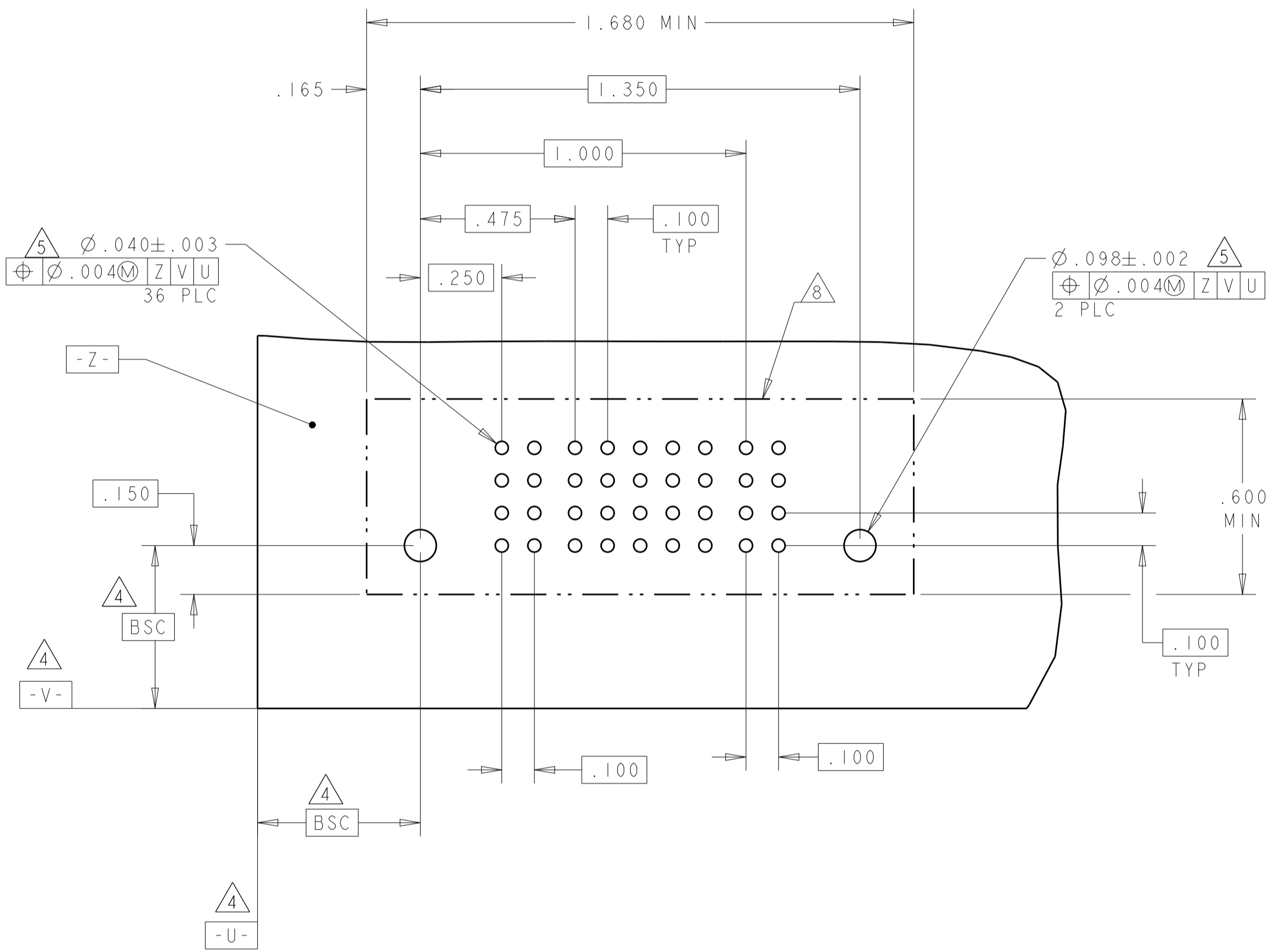


THIS DRAWING IS A CONTROLLED DOCUMENT.		DMN: J. McCLINTON 22MAR2005	TE Connectivity
DIMENSIONS: INCH		CHK: D. TROUT 22MAR2005	
TOLERANCES UNLESS OTHERWISE SPECIFIED:		APVD: P. WHYNE 22MAR2005	NAME: VERTICAL HEADER ASSEMBLY W/ GUIDES AND SOLDER TAILS MULTI-BEAM XL
0 PLC ±	1 PLC ±	PRODUCT SPEC: 108-1973	SIZE: A100779C=6600330
2 PLC ±	3 PLC ±	APPLICATION SPEC: 114-13038	RESTRICTED TO: -
4 PLC ±	ANGLES ±	WEIGHT: -	SCALE: 4:1 SHEET 9 OF 10 REV J7
MATERIAL: -	FINISH: -	CUSTOMER DRAWING	

LOC	DIST	REVISIONS			
P	LTN	DESCRIPTION	DATE	DMN	APVD
ES	00	SEE SHEET 1			

PART NUMBER	ROWS	POWER	SIGNAL					POWER	
			PI	1	2	3	4		5
2-6600330-4	D	SZ	SZ	SV	SV	SV	SV	SV	SZ
	C			SV	SV	SV	SV	SV	
	B			SV	SV	SV	SV	SV	
	A			SV	SV	SV	SV	SV	
IP+20S+IP		HD						HD	

PART NUMBER	ROWS	POWER	SIGNAL								POWER		
			PI	1	2	3	4	5	6	7		8	P2
2-6600330-5	D	SZ	SZ	SV	SV	SV	SV	SV	SV	SV	SV	SV	SZ
	C			SV	SV	SV	SV	SV	SV	SV	SV		
	B			SV	SV	SV	SV	SV	SV	SV	SV		
	A			SV	SV	SV	SV	SV	SV	SV	SV		
IP+32S+IP		HD										HD	



THIS DRAWING IS A CONTROLLED DOCUMENT.

DIMENSIONS: INCH	TOLERANCES UNLESS OTHERWISE SPECIFIED: 0 PLC ±. 1 PLC ±. 2 PLC ±. 3 PLC ±.005 4 PLC ±.0020 ANGLES ±. FINISH	DMN J. McCLINTON 22MAR2005 CHK D. TROUT 22MAR2005 APVD B. WHYNE 22MAR2005	NAME PRODUCT SPEC 108-1973 APPLICATION SPEC 114-13038 WEIGHT CUSTOMER DRAWING	SIZE CAGE CODE DRAWING NO A100779C=6600330	RESTRICTED TO
---------------------	--	---	---	---	---------------

SCALE 4:1 SHEET 10 OF 10 REV J7



Компания «ЭлектроПласт» предлагает заключение долгосрочных отношений при поставках импортных электронных компонентов на взаимовыгодных условиях!

Наши преимущества:

- Оперативные поставки широкого спектра электронных компонентов отечественного и импортного производства напрямую от производителей и с крупнейших мировых складов;
- Поставка более 17-ти миллионов наименований электронных компонентов;
- Поставка сложных, дефицитных, либо снятых с производства позиций;
- Оперативные сроки поставки под заказ (от 5 рабочих дней);
- Экспресс доставка в любую точку России;
- Техническая поддержка проекта, помощь в подборе аналогов, поставка прототипов;
- Система менеджмента качества сертифицирована по Международному стандарту ISO 9001;
- Лицензия ФСБ на осуществление работ с использованием сведений, составляющих государственную тайну;
- Поставка специализированных компонентов (Xilinx, Altera, Analog Devices, Intersil, Interpoint, Microsemi, Aeroflex, Peregrine, Syfer, Eurofarad, Texas Instrument, Miteq, Cobham, E2V, MA-COM, Hittite, Mini-Circuits, General Dynamics и др.);

Помимо этого, одним из направлений компании «ЭлектроПласт» является направление «Источники питания». Мы предлагаем Вам помощь Конструкторского отдела:

- Подбор оптимального решения, техническое обоснование при выборе компонента;
- Подбор аналогов;
- Консультации по применению компонента;
- Поставка образцов и прототипов;
- Техническая поддержка проекта;
- Защита от снятия компонента с производства.



Как с нами связаться

Телефон: 8 (812) 309 58 32 (многоканальный)

Факс: 8 (812) 320-02-42

Электронная почта: org@eplast1.ru

Адрес: 198099, г. Санкт-Петербург, ул. Калинина, дом 2, корпус 4, литера А.