

FEATURES

44 V supply maximum rating
 V_{SS} to V_{DD} analog signal range
Single-/dual-supply specifications
Wide supply range: 10.8 V to 16.5 V
Extended plastic temperature range: -40°C to $+85^{\circ}\text{C}$
Low power dissipation: 28 mW maximum
Low leakage: 20 pA typical
Available in 16-lead DIP/SOIC and 20-lead PLCC/LCC packages
Superior alternative to
DG508A, HI-508
DG509A, HI-509

FUNCTIONAL BLOCK DIAGRAMS

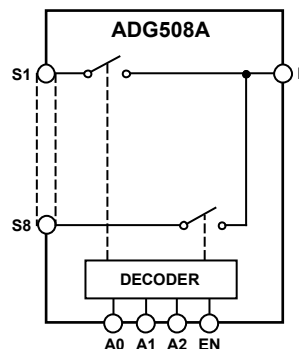


Figure 1. ADG508A

00051-001

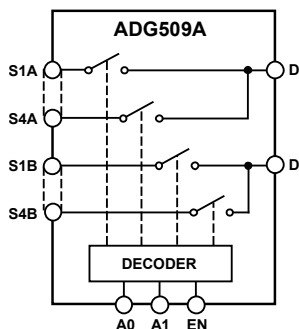


Figure 2. ADG509A

00051-002

GENERAL DESCRIPTION

The ADG508A and ADG509A are CMOS monolithic analog multiplexers with eight channels and dual four channels, respectively. The ADG508A switches one of eight inputs to a common output, depending on the state of three binary addresses and an enable input. The ADG509A switches one of four differential inputs to a common differential output, depending on the state of two binary addresses and an enable input. Both devices have TTL and 5 V CMOS logic-compatible digital inputs.

The ADG508A and ADG509A are designed on an enhanced LC²MOS process that gives an increased signal capability of V_{SS} to V_{DD} and enables operation over a wide range of supply voltages. The devices can comfortably operate anywhere in the 10.8 V to 16.5 V single- or dual-supply range. These multiplexers also feature high switching speeds and low R_{ON} .

PRODUCT HIGHLIGHTS

1. Single-/Dual-Supply Specifications with a Wide Tolerance. The devices are specified in the 10.8 V to 16.5 V range for both single and dual supplies.
2. Extended Signal Range. The enhanced LC²MOS processing results in a high breakdown and an increased analog signal range of V_{SS} to V_{DD} .
3. Break-Before-Make Switching. Switches are guaranteed break-before-make so that input signals are protected against momentary shorting.
4. Low Leakage. Leakage currents in the range of 20 pA make these multiplexers suitable for high precision circuits.

Rev. D

Information furnished by Analog Devices is believed to be accurate and reliable. However, no responsibility is assumed by Analog Devices for its use, nor for any infringements of patents or other rights of third parties that may result from its use. Specifications subject to change without notice. No license is granted by implication or otherwise under any patent or patent rights of Analog Devices. Trademarks and registered trademarks are the property of their respective owners.

TABLE OF CONTENTS

| | | | |
|--------------------------------|---|----------------------------------------------------|----|
| Features | 1 | Absolute Maximum Ratings | 7 |
| Functional Block Diagrams..... | 1 | ESD Caution..... | 7 |
| General Description | 1 | Pin Configurations and Function Descriptions | 8 |
| Product Highlights | 1 | Typical Performance Characteristics | 10 |
| Revision History | 2 | Test Circuits..... | 11 |
| Specifications..... | 3 | Single-Supply Octal DAC Application | 13 |
| Dual Supply | 3 | Outline Dimensions | 14 |
| Single Supply | 5 | Ordering Guide | 16 |

REVISION HISTORY

7/09—Rev. C to Rev. D

Changes to Table 4..... 8

3/07—Rev. B to Rev. C

Updated Format..... Universal
Changes to Table 3..... 6
Inserted Table 4..... 7
Inserted Table 6..... 8
Changes to Figure 24..... 12
Updated Outline Dimensions 13 || Changes to Ordering Guide | 15 |

SPECIFICATIONS

DUAL SUPPLY

$V_{DD} = 10.8\text{ V to }16.5\text{ V}$, $V_{SS} = -10.8\text{ V to }-16.5\text{ V}$, unless otherwise noted.

Table 1.

| Parameter | ADG508A/ ADG509A K Version | | ADG508A/ ADG509A B Version | | ADG508A/ ADG509A T Version | | Unit | Comments |
|-------------------------------------------------------------|----------------------------------|----------------------|----------------------------------|----------------------|----------------------------------|----------------------|-------------------|------------------------------------------------------------------------------------------------------------------------------|
| | +25°C | -40°C to +85° | +25°C | -40°C to +85°C | +25°C | -55°C to +125°C | | |
| ANALOG SWITCH | | | | | | | | |
| Analog Signal Range | V_{SS} V_{DD} | V_{SS} V_{DD} | V_{SS} V_{DD} | V_{SS} V_{DD} | V_{SS} V_{DD} | V_{SS} V_{DD} | V min V max | |
| R_{ON} | 280 | | 280 | | 280 | | Ω typ | $-10\text{ V} \leq V_S \leq +10\text{ V}$, $I_{DS} = 1\text{ mA}$; see Figure 14 |
| | 450 | 600 | 450 | 600 | 450 | 600 | Ω max | |
| | 300 | 400 | 300 | 400 | | | Ω max | |
| | | | | | 300 | 400 | Ω max | $V_{DD} = 15\text{ V} (\pm 10\%)$, $V_{SS} = -15\text{ V} (\pm 10\%)$ |
| R_{ON} Drift | 0.6 | | 0.6 | | 0.6 | | %/°C typ | $V_S = 0$, $I_{DS} = 1\text{ mA}$ |
| R_{ON} Match | 5 | | 5 | | 5 | | % typ | $-10\text{ V} \leq V_S \leq +10\text{ V}$, $I_{DS} = 1\text{ mA}$ |
| I_S (Off), Off Input Leakage | 0.02 | | 0.02 | | 0.02 | | nA typ | $V_1 = \pm 10\text{ V}$, $V_2 = \mp 10\text{ V}$; see Figure 15 |
| I_D (Off), Off Output Leakage | 1 | 50 | 1 | 50 | 1 | 50 | nA max | $V_1 = \pm 10\text{ V}$, $V_2 = \mp 10\text{ V}$; see Figure 16 |
| | 0.04 | | 0.04 | | 0.04 | | nA typ | |
| ADG508A | 1 | 100 | 1 | 100 | 1 | 100 | nA max | $V_1 = V_2 = \pm 10\text{ V}$; see Figure 17 |
| ADG509A | 1 | 50 | 1 | 50 | 1 | 50 | nA max | |
| I_D (On), On Channel Leakage | 0.04 | | 0.04 | | 0.04 | | nA typ | |
| ADG508A | 1 | 100 | 1 | 100 | 1 | 100 | nA max | $V_1 = \pm 10\text{ V}$, $V_2 = \mp 10\text{ V}$; see Figure 18 |
| ADG509A | 1 | 50 | 1 | 50 | 1 | 50 | nA max | |
| I_{DIFF} , Differential Off Output Leakage (ADG509A Only) | | 25 | | 25 | | 25 | nA max | |
| DIGITAL CONTROL | | | | | | | | |
| V_{INH} , Input High Voltage | | 2.4 | | 2.4 | | 2.4 | V min | $V_{IN} = 0\text{ to }V_{DD}$ |
| V_{INL} , Input Low Voltage | | 0.8 | | 0.8 | | 0.8 | V max | |
| I_{INL} or I_{INH} | | 1 | | 1 | | 1 | μA max | |
| C_{IN} Digital Input Capacitance | 8 | | 8 | | 8 | | pF max | |
| DYNAMIC CHARACTERISTICS | | | | | | | | |
| $t_{TRANSITION}^1$ | 200 | | 200 | | 200 | | ns typ | $V_1 = \pm 10\text{ V}$, $V_2 = \mp 10\text{ V}$; see Figure 19 |
| t_{OPEN}^1 | 300 | 400 | 300 | 400 | 300 | 400 | ns max | See Figure 20 |
| | 50 | | 50 | | 50 | | ns typ | |
| t_{ON} (EN) ¹ | 25 | 10 | 25 | 10 | 25 | 10 | ns min | See Figure 21 |
| | 200 | | 200 | | 200 | | ns typ | |
| t_{OFF} (EN) ¹ | 300 | 400 | 300 | 400 | 300 | 400 | ns max | See Figure 21 |
| | 200 | | 200 | | 200 | | ns typ | |
| Off Isolation | 300 | 400 | 300 | 400 | 300 | 400 | ns max | $V_{EN} = 0.8\text{ V}$, $R_L = 1\text{ k}\Omega$, $C_L = 15\text{ pF}$, $V_S = 7\text{ V rms}$, $f = 100\text{ kHz}$ |
| | 68 | | 68 | | 68 | | dB typ | |
| | 50 | | 50 | | 50 | | dB min | |

ADG508A/ADG509A

| Parameter | ADG508A/ ADG509A K Version | | ADG508A/ ADG509A B Version | | ADG508A/ ADG509A T Version | | Unit | Comments |
|-------------------------------------|----------------------------------|------------------|----------------------------------|-------------------|----------------------------------|--------------------|--------|---------------------------------------------------------|
| | +25°C | -40°C to +85° | +25°C | -40°C to +85°C | +25°C | -55°C to +125°C | | |
| C _S (Off) | 5 | | 5 | | 5 | | pF typ | V _{EN} = 0.8 V |
| C _D (Off) | | | | | | | | |
| ADG508A | 22 | | 22 | | 22 | | pF typ | V _{EN} = 0.8 V |
| ADG509A | 11 | | 11 | | 11 | | pF typ | |
| Q _{INJ} , Charge Injection | 4 | | 4 | | 4 | | pC typ | R _S = 0 Ω, V _S = 0; see Figure 22 |
| POWER SUPPLY | | | | | | | | |
| I _{DD} | 0.6 | | 0.6 | | 0.6 | | mA typ | V _{IN} = V _{INL} or V _{INH} |
| | | 1.5 | | 1.5 | | 1.5 | mA max | |
| I _{SS} | 20 | | 20 | | 20 | | μA typ | V _{IN} = V _{INL} or V _{INH} |
| | | 0.2 | | 0.2 | | 0.2 | mA max | |
| Power Dissipation | 10 | | 10 | | 10 | | mW typ | |
| | | 28 | | 28 | | 28 | mW max | |

¹ Sample tested at 25°C to ensure compliance.

SINGLE SUPPLY

$V_{DD} = 10.8\text{ V to }16.5\text{ V}$, $V_{SS} = \text{GND} = 0\text{ V}$, unless otherwise noted.

Table 2.

| Parameter | ADG508A/ ADG509A K Version | | ADG508A/ ADG509A B Version | | ADG508A/ ADG509A T Version | | Unit | Comments |
|-------------------------------------------------------------|----------------------------------|-------------------|----------------------------------|-------------------|----------------------------------|--------------------|-------------------|--------------------------------------------------------------------------------------------------------------------------------|
| | +25°C | -40°C to +85°C | +25°C | -40°C to +85°C | +25°C | -55°C to +125°C | | |
| ANALOG SWITCH | | | | | | | | |
| Analog Signal Range | GND | GND | GND | GND | GND | GND | V min V max | |
| R_{ON} | V_{DD} | V_{DD} | V_{DD} | V_{DD} | V_{DD} | V_{DD} | Ω typ | $GND \leq V_S \leq 10\text{ V}$, $I_{DS} = 0.5\text{ mA}$; see Figure 14 |
| R_{ON} Drift | 500 | 500 | 500 | 500 | 500 | 500 | Ω max | |
| R_{ON} Match | 700 | 1000 | 700 | 1000 | 700 | 1000 | %/°C typ | $V_S = 0$, $I_{DS} = 0.5\text{ mA}$ |
| I_S (Off), Off Input Leakage | 0.6 | 0.6 | 0.6 | 0.6 | 0.6 | 0.6 | % typ | $GND \leq V_S \leq 10\text{ V}$, $I_{DS} = 0.5\text{ mA}$ |
| I_D (Off), Off Output Leakage | 5 | 5 | 5 | 5 | 5 | 5 | nA typ | $V_1 = 10\text{ V/GND}$, $V_2 = \text{GND}/10\text{ V}$; see Figure 15 |
| ADG508A | 0.02 | 0.02 | 0.02 | 0.02 | 0.02 | 0.02 | nA max | |
| ADG509A | 1 | 50 | 1 | 50 | 1 | 50 | nA typ | $V_1 = 10\text{ V/GND}$, $V_2 = \text{GND}/10\text{ V}$; see Figure 16 |
| I_D (On), On Channel Leakage | 0.04 | 0.04 | 0.04 | 0.04 | 0.04 | 0.04 | nA max | |
| ADG508A | 1 | 100 | 1 | 100 | 1 | 100 | nA max | $V_1 = V_2 = 10\text{ V/GND}$; see Figure 17 |
| ADG509A | 1 | 50 | 1 | 50 | 1 | 50 | nA max | |
| I_{DIFF} , Differential Off Output Leakage (ADG509A Only) | 0.04 | 0.04 | 0.04 | 0.04 | 0.04 | 0.04 | nA max | $V_1 = 10\text{ V/GND}$, $V_2 = \text{GND}/10\text{ V}$; see Figure 18 |
| | 1 | 100 | 1 | 100 | 1 | 100 | nA max | |
| | 1 | 50 | 1 | 50 | 1 | 50 | nA max | |
| | 1 | 25 | 1 | 25 | 1 | 25 | nA max | |
| DIGITAL CONTROL | | | | | | | | |
| V_{INH} , Input High Voltage | | 2.4 | | 2.4 | | 2.4 | V min | |
| V_{INL} , Input Low Voltage | | 0.8 | | 0.8 | | 0.8 | V max | |
| I_{INL} or I_{INH} | | 1 | | 1 | | 1 | μA max | $V_{IN} = 0$ to V_{DD} |
| C_{IN} Digital Input Capacitance | 8 | 8 | 8 | 8 | 8 | 8 | pF max | |
| DYNAMIC CHARACTERISTICS | | | | | | | | |
| $t_{TRANSITION}^1$ | 300 | 300 | 300 | 300 | 300 | 300 | ns typ | $V_1 = 10\text{ V/GND}$, $V_2 = \text{GND}/10\text{ V}$; see Figure 19 |
| t_{OPEN}^1 | 450 | 600 | 450 | 600 | 450 | 600 | ns max | |
| | 50 | 50 | 50 | 50 | 50 | 50 | ns typ | See Figure 20 |
| | 25 | 10 | 25 | 10 | 25 | 10 | ns min | |
| $t_{ON}(\text{EN})^1$ | 250 | 250 | 250 | 250 | 250 | 250 | ns typ | See Figure 21 |
| | 450 | 600 | 450 | 600 | 450 | 600 | ns max | |
| $t_{OFF}(\text{EN})^1$ | 250 | 250 | 250 | 250 | 250 | 250 | ns typ | See Figure 21 |
| | 450 | 600 | 450 | 600 | 450 | 600 | ns max | |
| Off Isolation | 68 | 68 | 68 | 68 | 68 | 68 | dB typ | $V_{EN} = 0.8\text{ V}$, $R_L = 1\text{ k}\Omega$, $C_L = 15\text{ pF}$, $V_S = 3.5\text{ V rms}$, $f = 100\text{ kHz}$ |
| | 50 | 50 | 50 | 50 | 50 | 50 | dB min | |
| C_S (Off) | 5 | 5 | 5 | 5 | 5 | 5 | pF typ | $V_{EN} = 0.8\text{ V}$ |
| C_D (Off) | 22 | 22 | 22 | 22 | 22 | 22 | pF typ | $V_{EN} = 0.8\text{ V}$ |
| ADG508A | 11 | 11 | 11 | 11 | 11 | 11 | pF typ | |
| ADG509A | 4 | 4 | 4 | 4 | 4 | 4 | pC typ | $R_S = 0\text{ }\Omega$, $V_S = 0\text{ V}$; see Figure 22 |
| Q_{INJ} , Charge Injection | | | | | | | | |

ADG508A/ADG509A

| Parameter | ADG508A/ ADG509A K Version | | ADG508A/ ADG509A B Version | | ADG508A/ ADG509A T Version | | Unit | Comments |
|-------------------|----------------------------------|-------------------|----------------------------------|-------------------|----------------------------------|--------------------|--------|---------------------------------|
| | +25°C | -40°C to +85°C | +25°C | -40°C to +85°C | +25°C | -55°C to +125°C | | |
| POWER SUPPLY | | | | | | | | |
| I_{DD} | 0.6 | | 0.6 | | 0.6 | | mA typ | $V_{IN} = V_{INL}$ or V_{INH} |
| | | 1.5 | | 1.5 | | 1.5 | mA max | |
| Power Dissipation | 10 | | 10 | | 10 | | mW typ | |
| | | 25 | | 25 | | 25 | mW max | |

¹ Sample tested at 25°C to ensure compliance.

ABSOLUTE MAXIMUM RATINGS

$T_A = 25^\circ\text{C}$, unless otherwise noted.

Table 3.

| Parameter | Ratings |
|----------------------------------------------------------------------------------------------------|------------------------------------------------------------------------------------|
| V_{DD} to V_{SS} | 44 V |
| V_{DD} to GND | 32 V |
| V_{SS} to GND | -32 V |
| Analog Inputs ¹ Voltage at S, D | $V_{SS} - 2\text{ V}$ to $V_{DD} + 2\text{ V}$ or 20 mA, whichever occurs first |
| Continuous Current, S or D | 20 mA |
| Pulsed Current S or D 1 ms Duration, 10% Duty Cycle | 40 mA |
| Digital Inputs ¹ Voltage at A, EN | $V_{SS} - 4\text{ V}$ to $V_{DD} + 4\text{ V}$ or 20 mA, whichever occurs first |
| Power Dissipation (Any Package) Up to 75°C Derates Above 75°C by | 470 mW 6 mW/ $^\circ\text{C}$ |
| Operating Temperature Commercial (K Version) | -40°C to $+85^\circ\text{C}$ |
| Industrial (B Version) | -40°C to $+85^\circ\text{C}$ |
| Extended (T Version) | -55°C to $+125^\circ\text{C}$ |
| Storage Temperature Range | -65°C to $+150^\circ\text{C}$ |

¹Overvoltage at A, EN, S, or D is clamped by diodes. Current should be limited to the maximum rating shown in Table 3.

Stresses above those listed under Absolute Maximum Ratings may cause permanent damage to the device. This is a stress rating only; functional operation of the device at these or any other conditions above those indicated in the operational section of this specification is not implied. Exposure to absolute maximum rating conditions for extended periods may affect device reliability.

ESD CAUTION



ESD (electrostatic discharge) sensitive device. Charged devices and circuit boards can discharge without detection. Although this product features patented or proprietary protection circuitry, damage may occur on devices subjected to high energy ESD. Therefore, proper ESD precautions should be taken to avoid performance degradation or loss of functionality.

ADG508A/ADG509A

PIN CONFIGURATIONS AND FUNCTION DESCRIPTIONS



Figure 3. ADG508A DIP, SOIC



Figure 4. ADG508A LCC



Figure 5. ADG508A PLCC

Table 4. ADG508A Pin Function Description

| Pin Number | | Mnemonic | Description |
|------------|----------|-----------------|-----------------------------------------------------------------------------------------------------------------------------------------|
| DIP/SOIC | PLCC/LCC | | |
| 1 | 2 | A0 | Logic Control Input. |
| 2 | 3 | EN | Active High Digital Input. When low, the device is disabled and all switches are off. When high, Ax logic inputs determine on switches. |
| 3 | 4 | V _{SS} | Most Negative Power Supply Potential in Dual Supplies. In single-supply applications, it can be connected to ground. |
| 4 | 5 | S1 | Source Terminal 1. Can be an input or an output. |
| 5 | 7 | S2 | Source Terminal 2. Can be an input or an output. |
| 6 | 8 | S3 | Source Terminal 3. Can be an input or an output. |
| 7 | 9 | S4 | Source Terminal 4. Can be an input or an output. |
| 8 | 10 | D | Drain Terminal. Can be an input or an output. |
| 9 | 12 | S8 | Source Terminal 8. Can be an input or an output. |
| 10 | 13 | S7 | Source Terminal 7. Can be an input or an output. |
| 11 | 14 | S6 | Source Terminal 6. Can be an input or an output. |
| 12 | 15 | S5 | Source Terminal 5. Can be an input or an output. |
| 13 | 17 | V _{DD} | Most Positive Power Supply Potential. |
| 14 | 18 | GND | Ground (0 V) Reference. |
| 15 | 19 | A2 | Logic Control Input. |
| 16 | 20 | A1 | Logic Control Input. |
| N/A | 1 | NC | No Connect. |
| N/A | 6 | NC | No Connect. |
| N/A | 11 | NC | No Connect. |
| N/A | 16 | NC | No Connect. |

Table 5. ADG508A Truth Table

| A2 | A1 | A0 | EN | On Switch |
|----------------|----------------|----------------|----|-----------|
| X ¹ | X ¹ | X ¹ | 0 | None |
| 0 | 0 | 0 | 1 | 1 |
| 0 | 0 | 1 | 1 | 2 |
| 0 | 1 | 0 | 1 | 3 |
| 0 | 1 | 1 | 1 | 4 |
| 1 | 0 | 0 | 1 | 5 |
| 1 | 0 | 1 | 1 | 6 |
| 1 | 1 | 0 | 1 | 7 |
| 1 | 1 | 1 | 1 | 8 |

¹ X = don't care.



Figure 6. ADG509A DIP, SOIC



Figure 7. ADG509A PLCC

Table 6. ADG509A Pin Function Description

| Pin Number | | Mnemonic | Description |
|------------|----------|-----------------|-----------------------------------------------------------------------------------------------------------------------------------------|
| DIP/SOIC | PLCC/LCC | | |
| 1 | 2 | A0 | Logic Control Input. |
| 2 | 3 | EN | Active High Digital Input. When low, the device is disabled and all switches are off. When high, Ax logic inputs determine on switches. |
| 3 | 4 | V _{SS} | Most Negative Power Supply Potential in Dual Supplies. In single-supply applications, it can be connected to ground. |
| 4 | 5 | S1A | Source Terminal 1A. Can be an input or an output. |
| 5 | 7 | S2A | Source Terminal 2A. Can be an input or an output. |
| 6 | 8 | S3A | Source Terminal 3A. Can be an input or an output. |
| 7 | 9 | S4A | Source Terminal 4A. Can be an input or an output. |
| 8 | 10 | DA | Drain Terminal A. Can be an input or an output. |
| 9 | 12 | DB | Drain Terminal B. Can be an input or an output. |
| 10 | 13 | S4B | Source Terminal 4B. Can be an input or an output. |
| 11 | 14 | S3B | Source Terminal 3B. Can be an input or an output. |
| 12 | 15 | S2B | Source Terminal 2B. Can be an input or an output. |
| 13 | 17 | S1B | Source Terminal 1B. Can be an input or an output. |
| 14 | 18 | V _{DD} | Most Positive Power Supply Potential. |
| 15 | 19 | GND | Ground (0 V) Reference. |
| 16 | 20 | A1 | Logic Control Input. |
| N/A | 1 | NC | No Connect. |
| N/A | 6 | NC | No Connect. |
| N/A | 11 | NC | No Connect. |
| N/A | 16 | NC | No Connect. |

Table 7. ADG509A Truth Table

| A1 | A0 | EN | On Switch Pair |
|----------------|----------------|----|----------------|
| X ¹ | X ¹ | 0 | None |
| 0 | 0 | 1 | 1 |
| 0 | 1 | 1 | 2 |
| 1 | 0 | 1 | 3 |
| 1 | 1 | 1 | 4 |

¹X = don't care.

TYPICAL PERFORMANCE CHARACTERISTICS

The multiplexers are guaranteed functional with reduced single or dual supplies down to 4.5 V.



Figure 8. R_{ON} as a Function of V_D (V_S): Dual-Supply Voltage, $T_A = 25^\circ\text{C}$



Figure 11. R_{ON} as a Function of V_D (V_S) Single-Supply Voltage, $T_A = 25^\circ\text{C}$



Figure 9. Leakage Current as a Function of Temperature
(Note: Leakage Currents Reduce as the Supply Voltages Reduce)



Figure 12. Trigger Levels vs. Power Supply Voltage, Dual or Single Supply, $T_A = 25^\circ\text{C}$



Figure 10. $t_{TRANSITION}$ vs. Supply Voltage: Dual and Single Supplies, $T_A = 25^\circ\text{C}$
(Note: For V_{DD} and $|V_{SS}| < 10\text{V}$; $V1 = V_{DD}/V_{SS}$, $V2 = V_{SS}/V_{DD}$. (see Figure 19))



Figure 13. I_{DD} vs. Supply Voltage: Dual or Single Supply, $T_A = 25^\circ\text{C}$

TEST CIRCUITS

Note: All digital input signal rise and fall times measured from 10% to 90% of 3 V. $t_R = t_F = 20$ ns.



Figure 14. R_{ON}

00051-015

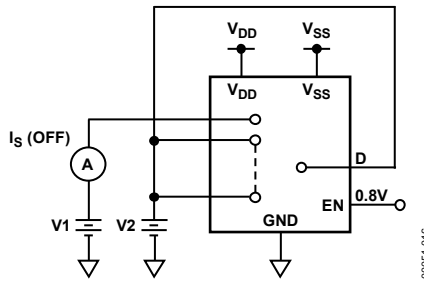


Figure 15. I_S (Off)

00051-016

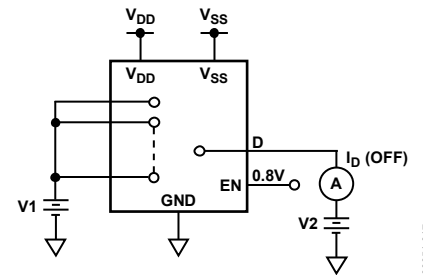


Figure 16. I_D (Off)

00051-017

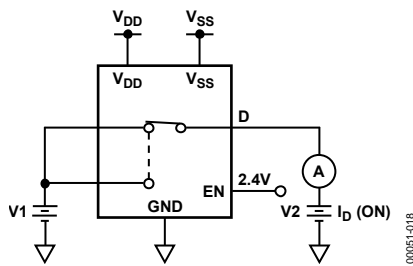


Figure 17. I_D (On)

00051-018

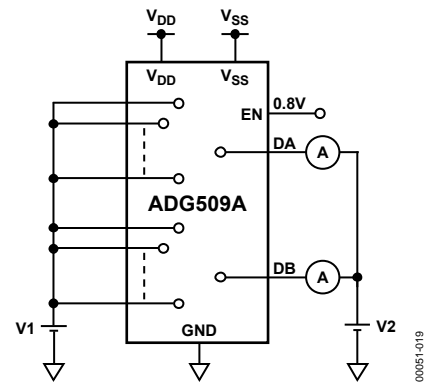


Figure 18. $I_{DIFF} = I_{DB}$ (Off)

00051-019

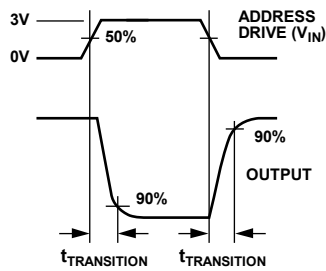
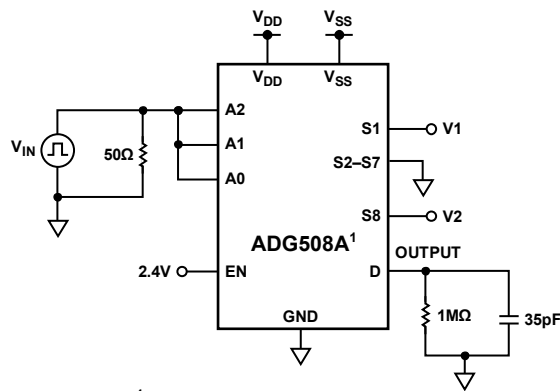


Figure 19. Switching Time of Multiplexer, $t_{TRANSITION}$



¹SIMILAR CONNECTION FOR ADG509A.

00051-020

ADG508A/ADG509A



Figure 20. Break-Before-Make Delay, t_{OPEN}



Figure 21. Enable Delay, $t_{ON}(EN)$, $t_{OFF}(EN)$



Figure 22. Charge Injection

SINGLE-SUPPLY OCTAL DAC APPLICATION

The following circuit shows the ADG508A connected as a demultiplexer to provide eight separate, digitally programmable voltages (0 V to 10 V) from the AD7245A. The AD7245A is a complete 12-bit, voltage output DAC with output amplifier and Zener voltage reference on a monolithic CMOS chip.

The entire system operates from a single 15 V power supply. The ADG508A is ideally suited for the application because it has both low charge injection and I_S (OFF) leakage current.



Figure 23. ADG508A in a Single-Supply Octal DAC Circuit

00051-024

OUTLINE DIMENSIONS



COMPLIANT TO JEDEC STANDARDS MS-001-AB
 CONTROLLING DIMENSIONS ARE IN INCHES; MILLIMETER DIMENSIONS
 (IN PARENTHESES) ARE ROUNDED-OFF INCH EQUIVALENTS FOR
 REFERENCE ONLY AND ARE NOT APPROPRIATE FOR USE IN DESIGN.
 CORNER LEADS MAY BE CONFIGURED AS WHOLE OR HALF LEADS.

Figure 24. 16-Lead Plastic Dual In-Line Package [PDIP]
 Narrow Body (N-16)
 Dimensions shown in inches and (millimeters)

073106-B



CONTROLLING DIMENSIONS ARE IN INCHES; MILLIMETER DIMENSIONS
 (IN PARENTHESES) ARE ROUNDED-OFF INCH EQUIVALENTS FOR
 REFERENCE ONLY AND ARE NOT APPROPRIATE FOR USE IN DESIGN.

Figure 25. 16-Lead Ceramic Dual In-Line Package [CERDIP]
 (Q-16)
 Dimensions shown in inches and (millimeters)



COMPLIANT TO JEDEC STANDARDS MS-012-AC
 CONTROLLING DIMENSIONS ARE IN MILLIMETERS; INCH DIMENSIONS
 (IN PARENTHESES) ARE ROUNDED-OFF MILLIMETER EQUIVALENTS FOR
 REFERENCE ONLY AND ARE NOT APPROPRIATE FOR USE IN DESIGN.

Figure 26. 16-Lead Standard Small Outline Package [SOIC_N]
 Narrow Body (R-16)
 Dimensions shown in millimeters and (inches)

060606-A



COMPLIANT TO JEDEC STANDARDS MO-047-AA
 CONTROLLING DIMENSIONS ARE IN INCHES; MILLIMETER DIMENSIONS
 (IN PARENTHESES) ARE ROUNDED-OFF INCH EQUIVALENTS FOR
 REFERENCE ONLY AND ARE NOT APPROPRIATE FOR USE IN DESIGN.

Figure 27. 20-Lead Plastic Leaded Chip Carrier [PLCC]
 (P-20)
 Dimensions shown in inches and (millimeters)



CONTROLLING DIMENSIONS ARE IN INCHES; MILLIMETER DIMENSIONS
 (IN PARENTHESES) ARE ROUNDED-OFF INCH EQUIVALENTS FOR
 REFERENCE ONLY AND ARE NOT APPROPRIATE FOR USE IN DESIGN.

Figure 28. 20-Terminal Ceramic Leadless Chip Carrier [LCC]
 (E-20-1)
 Dimensions shown in inches and (millimeters)

022106-A

ADG508A/ADG509A

ORDERING GUIDE

| Model | Temperature Range | Package Description | Package Option |
|-------------------------------|-------------------|-------------------------------------------------|----------------|
| ADG508AKN | -40°C to +85°C | 16-Lead Plastic Dual In-Line Package [PDIP] | N-16 |
| ADG508AKNZ ¹ | -40°C to +85°C | 16-Lead Plastic Dual In-Line Package [PDIP] | N-16 |
| ADG508AKR | -40°C to +85°C | 16-Lead Standard Small Outline Package [SOIC_N] | R-16 |
| ADG508AKR-REEL | -40°C to +85°C | 16-Lead Standard Small Outline Package [SOIC_N] | R-16 |
| ADG508AKR-REEL7 | -40°C to +85°C | 16-Lead Standard Small Outline Package [SOIC_N] | R-16 |
| ADG508AKRZ ¹ | -40°C to +85°C | 16-Lead Standard Small Outline Package [SOIC_N] | R-16 |
| ADG508AKRZ-REEL ¹ | -40°C to +85°C | 16-Lead Standard Small Outline Package [SOIC_N] | R-16 |
| ADG508AKRZ-REEL7 ¹ | -40°C to +85°C | 16-Lead Standard Small Outline Package [SOIC_N] | R-16 |
| ADG508AKP | -40°C to +85°C | 20-Lead Plastic Leaded Chip Carrier [PLCC] | P-20 |
| ADG508AKP-REEL | -40°C to +85°C | 20-Lead Plastic Leaded Chip Carrier [PLCC] | P-20 |
| ADG508AKPZ ¹ | -40°C to +85°C | 20-Lead Plastic Leaded Chip Carrier [PLCC] | P-20 |
| ADG508AKPZ-REEL ¹ | -40°C to +85°C | 20-Lead Plastic Leaded Chip Carrier [PLCC] | P-20 |
| ADG508ABQ | -40°C to +85°C | 16-Lead Ceramic Dual In-Line Package [CERDIP] | Q-16 |
| ADG508ATQ | -55°C to +125°C | 16-Lead Ceramic Dual In-Line Package [CERDIP] | Q-16 |
| ADG508ATE | -55°C to +125°C | 20-Terminal Ceramic Leadless Chip Carrier [LCC] | E-20-1 |
| ADG508ABCHIPS | | DIE | |
| ADG508ATCHIPS | | DIE | |
| ADG509AKN | -40°C to +85°C | 16-Lead Plastic Dual In-Line Package [PDIP] | N-16 |
| ADG509AKNZ ¹ | -40°C to +85°C | 16-Lead Plastic Dual In-Line Package [PDIP] | N-16 |
| ADG509AKR | -40°C to +85°C | 16-Lead Standard Small Outline Package [SOIC_N] | R-16 |
| ADG509AKR-REEL | -40°C to +85°C | 16-Lead Standard Small Outline Package [SOIC_N] | R-16 |
| ADG509AKR-REEL7 | -40°C to +85°C | 16-Lead Standard Small Outline Package [SOIC_N] | R-16 |
| ADG509AKRZ-REEL ¹ | -40°C to +85°C | 16-Lead Standard Small Outline Package [SOIC_N] | R-16 |
| ADG509AKRZ-REEL7 ¹ | -40°C to +85°C | 16-Lead Standard Small Outline Package [SOIC_N] | R-16 |
| ADG509AKP | -40°C to +85°C | 20-Lead Plastic Leaded Chip Carrier [PLCC] | P-20 |
| ADG509AKP-REEL | -40°C to +85°C | 20-Lead Plastic Leaded Chip Carrier [PLCC] | P-20 |
| ADG509AKPZ ¹ | -40°C to +85°C | 20-Lead Plastic Leaded Chip Carrier [PLCC] | P-20 |
| ADG509AKPZ-REEL ¹ | -40°C to +85°C | 20-Lead Plastic Leaded Chip Carrier [PLCC] | P-20 |
| ADG509ABQ | -40°C to +85°C | 16-Lead Ceramic Dual In-Line Package [CERDIP] | Q-16 |
| ADG509ATQ | -55°C to +125°C | 16-Lead Ceramic Dual In-Line Package [CERDIP] | Q-16 |
| ADG509ATQ/883B | -55°C to +125°C | 16-Lead Ceramic Dual In-Line Package [CERDIP] | Q-16 |
| ADG509ABCHIPS | | DIE | |
| ADG509ATCHIPS | | DIE | |

¹ Z = RoHS Compliant Part.



Компания «ЭлектроПласт» предлагает заключение долгосрочных отношений при поставках импортных электронных компонентов на взаимовыгодных условиях!

Наши преимущества:

- Оперативные поставки широкого спектра электронных компонентов отечественного и импортного производства напрямую от производителей и с крупнейших мировых складов;
- Поставка более 17-ти миллионов наименований электронных компонентов;
- Поставка сложных, дефицитных, либо снятых с производства позиций;
- Оперативные сроки поставки под заказ (от 5 рабочих дней);
- Экспресс доставка в любую точку России;
- Техническая поддержка проекта, помощь в подборе аналогов, поставка прототипов;
- Система менеджмента качества сертифицирована по Международному стандарту ISO 9001;
- Лицензия ФСБ на осуществление работ с использованием сведений, составляющих государственную тайну;
- Поставка специализированных компонентов (Xilinx, Altera, Analog Devices, Intersil, Interpoint, Microsemi, Aeroflex, Peregrine, Syfer, Eurofarad, Texas Instrument, Miteq, Cobham, E2V, MA-COM, Hittite, Mini-Circuits, General Dynamics и др.);

Помимо этого, одним из направлений компании «ЭлектроПласт» является направление «Источники питания». Мы предлагаем Вам помощь Конструкторского отдела:

- Подбор оптимального решения, техническое обоснование при выборе компонента;
- Подбор аналогов;
- Консультации по применению компонента;
- Поставка образцов и прототипов;
- Техническая поддержка проекта;
- Защита от снятия компонента с производства.



Как с нами связаться

Телефон: 8 (812) 309 58 32 (многоканальный)

Факс: 8 (812) 320-02-42

Электронная почта: org@eplast1.ru

Адрес: 198099, г. Санкт-Петербург, ул. Калинина, дом 2, корпус 4, литера А.