

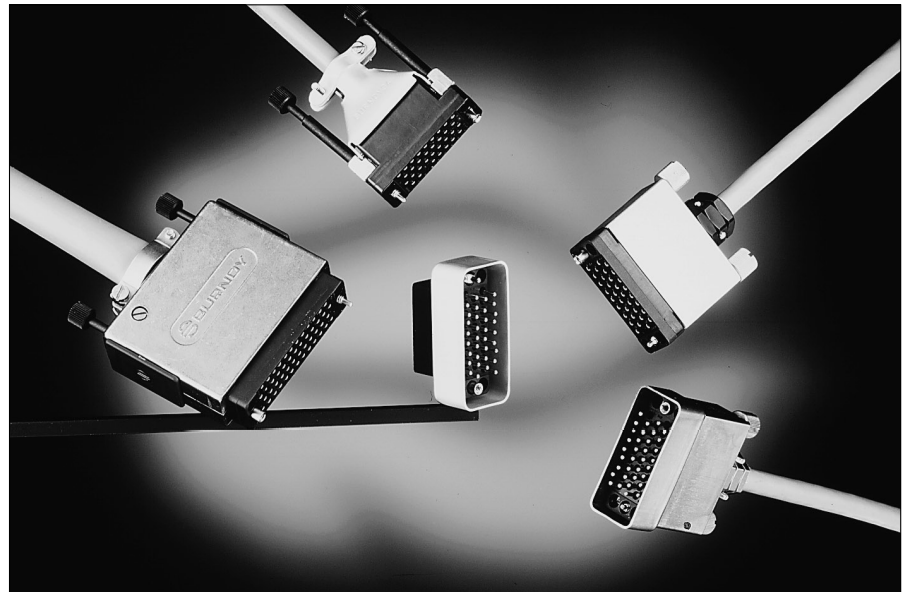
MS-M



High performance hyfen rectangular cable connectors

Description

MSM rectangular connectors offers an extremely reliable, rugged, and versatile connection system . They are a range of multiway connectors available in 9 sizes from 9 to 75 positions. MS-M cable connectors can be offered with a full range of hardware and accessories. Guiding pins and sockets, turnable jackscrews, a variety of cable hoods, pin protection shrouds and discrimination pins make this connector range a truly versatile system.



Features and benefits

- Connectors supplied pre-assembled except for panel mount versions.
- Available in 14-20-26-34-42-50-75 and 104 positions.
- **34 contact positions suitable for V.35 applications (see V.35 section)**
- Full range of accessories available including hoods, strain relief clamps, guide pins, jackscrews and pin protection shrouds.
- MS-M hyfen complies with NFC 93426 - HE 621-622 and MIL-C-28748 specifications.
- UL recognized File Nr.: E238675

Performance characteristics

| | |
|------------------------|------------------------------|
| Operating temperature: | -55°C to +125°C |
| Insulation resistance: | 5000 MΩ min. |
| Test potential: | 2000 VAC |
| Durability: | 500 matings and unmatings. |
| Vibration resistance: | Per MIL-STD 202 method 204 |
| Shock: | Per MIL-C-STD 202 method 207 |

Construction

| | |
|-----------------------|---|
| Connector Material : | Glass filled Phenolic |
| Flammability rating : | UL94-V0 |
| Hoods: | Aluminium alloy gold chromate or anodized Polyamide 6.6 - black - UL94-V2 |
| Cable clamps: | Stainless steel |
| Polarizing hardware: | Brass nickel plated |
| Shrouds: | Aluminium alloy gold chromate or anodized |

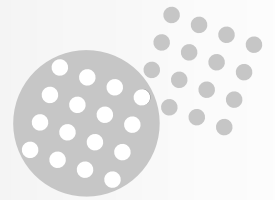
Contact accommodation

- "MS-M" Hyfen connectors accept TRIM TRIO size 16 removable snap-lock contacts (see contact section)
- Contacts to be ordered separately.

How to order

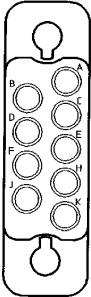
| | | | | | | | | |
|------------------------------------|---|-----------|----------|----------|------------|-----------|-----------|-----------|
| Connector family | MS | 34 | P | M | 124 | S | GE | 16 |
| | MS | 34 | P | M | 120 | S- | -- | -- |
| Contact arrangement | | | | | | | | |
| Type of housing: | P: plug body for male contacts R: Receptacle housing for female contacts | | | | | | | |
| N° 16 contact | | | | | | | | |
| Design variation | | | | | | | | |
| Pin protection shroud | | | | | | | | |
| GE | = plastic turnable jackscrews | | | | | | | |
| Code for special variations | | | | | | | | |

MS-M

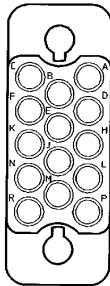


Contact arrangement

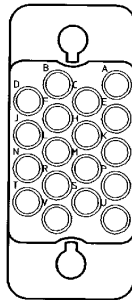
9 POS.



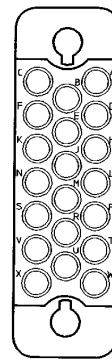
14 POS.



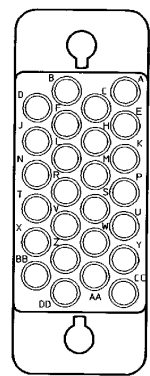
18 POS.



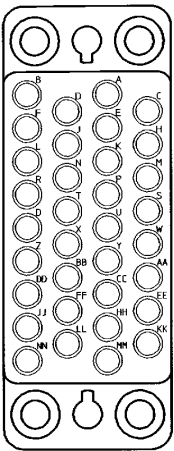
20 POS.



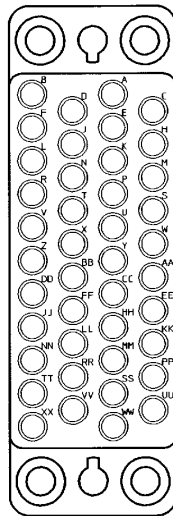
26 POS.



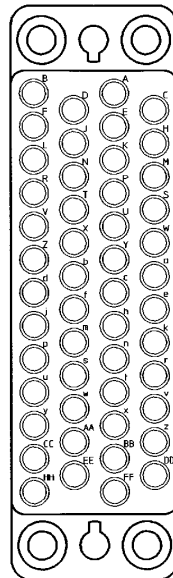
34 POS.



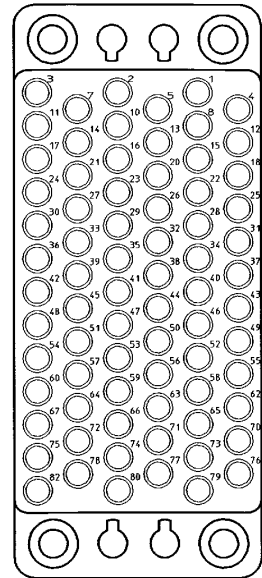
42 POS.



50 POS.



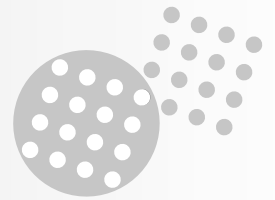
75 POS.



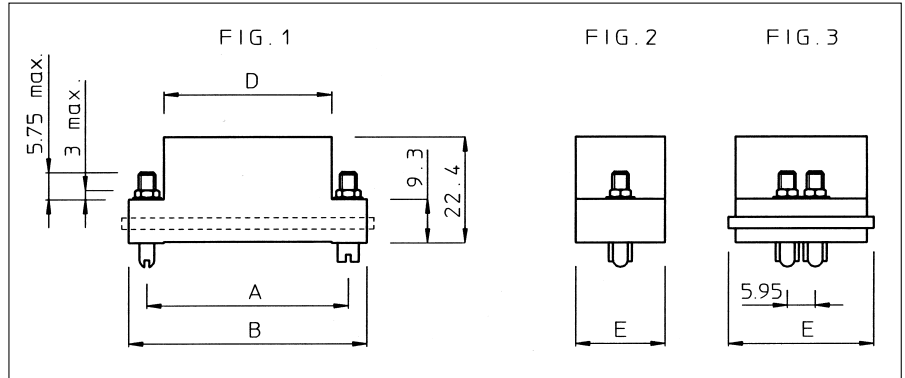
The contact position identification letters or numbers shown in the above diagrams apply to MS-M plug and receptacle connectors. Dimensionally, corresponding types of plug and receptacle mouldings are the same and differ only in that the contact position lettering/numbering of the plug (MS-PM) is a mirror image of that of the receptacle (MS-RM). Note that pins and/or sockets can be used in either the plug or receptacle moulding.

Note: Contact identification is shown for wiring face of the receptacle and mating face at plug connector.

MS-M



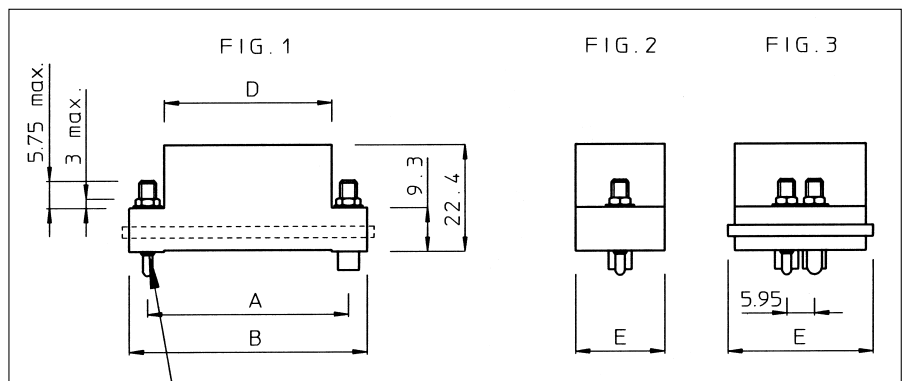
Panel mount connectors with guiding hardware (MS--M1GE00)



| Connector size | Part number | | A | B | D | E | Fig. |
|----------------|--------------------------------|--|-------|-------|-------|-------|------|
| | Plug version for male contacts | Receptacle version for female contacts | | | | | |
| 9 | MS9PM1GE00 | MS9RM1GE00 | 25.4 | 33.3 | 20.5 | 9.5 | 1-2 |
| 14 | MS14PM1(*)GE00 | MS14RM1(*)GE00 | 23.8 | 31.8 | 20.1 | 11.7 | |
| 18 | MS18PM1GE00 | MS18RM1GE00 | 25.4 | 33.3 | 20.5 | 14.2 | |
| 20 | MS20PM1(*)GE00 | MS20RM1(*)GE00 | 31.75 | 39.65 | 27.95 | 11.7 | |
| 26 | MS26PM1(*)GE00 | MS26RM1(*)GE00 | 33.3 | 41.3 | 27.2 | 15.0 | |
| 34 | MS34PM1(*)GE00 | MS34RM1(*)GE00 | 42.8 | 50.8 | 35.7 | 19.05 | |
| 42 | MS42PM1(*)GE00 | MS42RM1(*)GE00 | 50.55 | 58.65 | 42.95 | 18.95 | |
| 50 | MS50PM1(*)GE00 | MS50RM1(*)GE00 | 57.95 | 65.85 | 50.85 | 18.95 | 1-3 |
| 75 | MS75PM1(*)GE00 | MS75RM1(*)GE00 | | | | 28.1 | |

(*) Complete part number with "S" for connector with protective shroud.

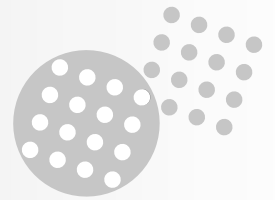
Panel mount connectors with fixed jackscrew hardware (MS--M58GE00)



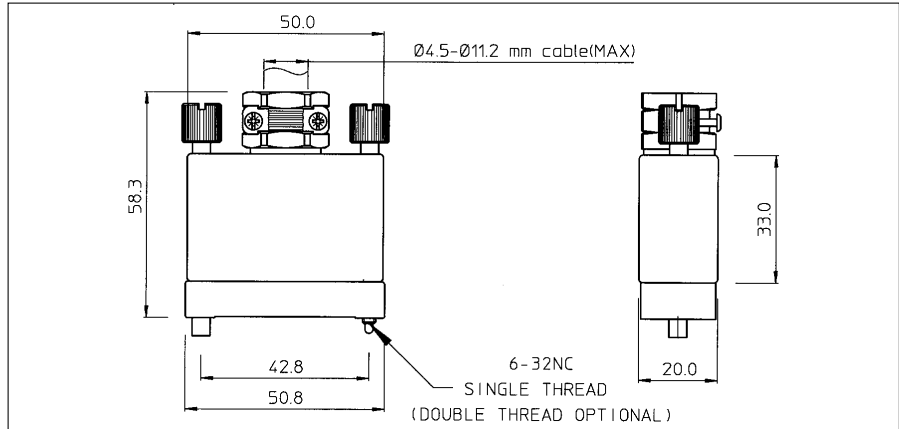
| Connector size | Part number | | A | B | D | E | Fig. |
|----------------|--------------------------------|--|-------|-------|-------|-------|------|
| | Plug version for male contacts | Receptacle version for female contacts | | | | | |
| 9 | MS9PM58GE00 | MS9RM58GE00 | 25.4 | 33.3 | 20.5 | 9.5 | 1-2 |
| 14 | MS14PM58(*)GE00 | MS14RM58(*)GE00 | 23.8 | 31.8 | 20.1 | 11.7 | |
| 18 | MS18PM58GE00 | MS18RM58GE00 | 25.4 | 33.3 | 20.5 | 14.2 | |
| 20 | MS20PM58(*)GE00 | MS20RM58(*)GE00 | 31.75 | 39.65 | 27.95 | 11.7 | |
| 26 | MS26PM58(*)GE00 | MS26RM58(*)GE00 | 33.3 | 41.3 | 27.2 | 15.0 | |
| 34 | MS34PM58(*)GE00 | MS34RM58(*)GE00 | 42.8 | 50.8 | 35.7 | 19.05 | |
| 42 | MS42PM58(*)GE00 | MS42RM58(*)GE00 | 50.55 | 58.65 | 42.95 | 18.95 | |
| 50 | MS50PM58(*)GE00 | MS50RM58(*)GE00 | 57.95 | 65.85 | 50.85 | 18.95 | 1-3 |
| 75 | MS75PM58(*)GE00 | MS75RM58(*)GE00 | | | | 28.1 | |

(*) Complete part number with "S" for connector with protective shroud.

MS-M



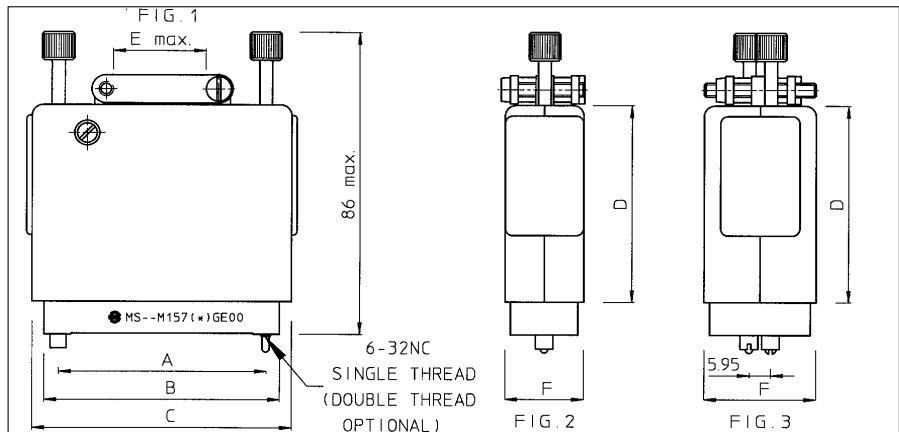
MS34 Cable connector with 1 piece metal suitcase hood (MS34--MEHM)



| Part number | | Description |
|--------------------------------|--|---|
| Plug version for male contacts | Receptacle version for female contacts | |
| MS34PMEHM | MS34RMEHM | Anodised hood, plastic strain relief and turnable hardware. |
| MS34PMSEHM | MS34RMSEHM | Shielded version with nickel plated hood, metal strain relief and turnable hardware |
| MS34PMEHMMET1 | MS34RMEHMMET1 | Version with spring loaded jackscrews |

(*) Complete part number with "S" for connector with protective shroud.

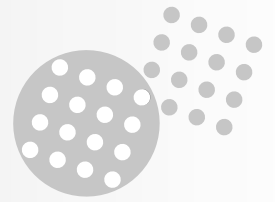
Cable connector with Alu die cast hood (MS-M157GE00)



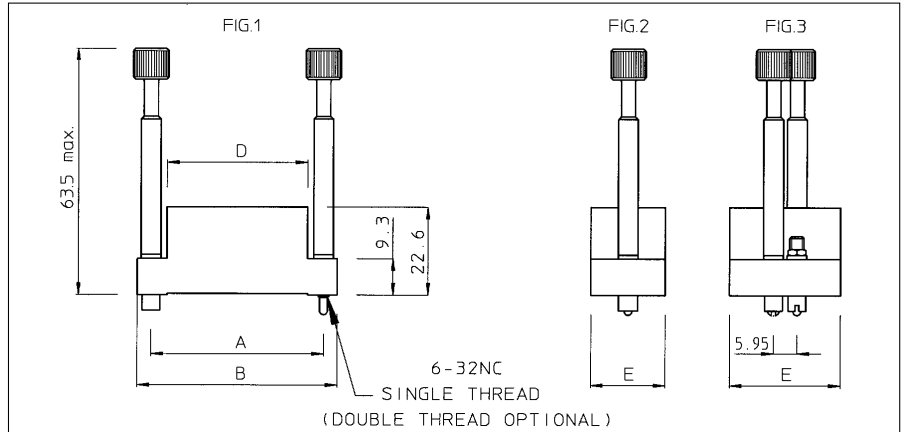
| Connector size | Part number | | A | B | C | D | E max. | F | Fig. |
|----------------|--------------------------------|--|-------|-------|------|------|--------|------|------|
| | Plug version for male contacts | Receptacle version for female contacts | | | | | | | |
| 50 | MS50PM157GE00 | MS50RM157GE00 | 57.95 | 65.85 | 73.0 | 56.0 | 20.0 | 22.2 | 1-2 |
| 75 | MS75PM157GE00 | MS75RM157GE00 | 57.95 | 65.85 | 73.0 | 56.0 | 25.0 | 31.2 | 1-3 |

(*) Complete part number with "S" for connector with protective shroud.

MS-M



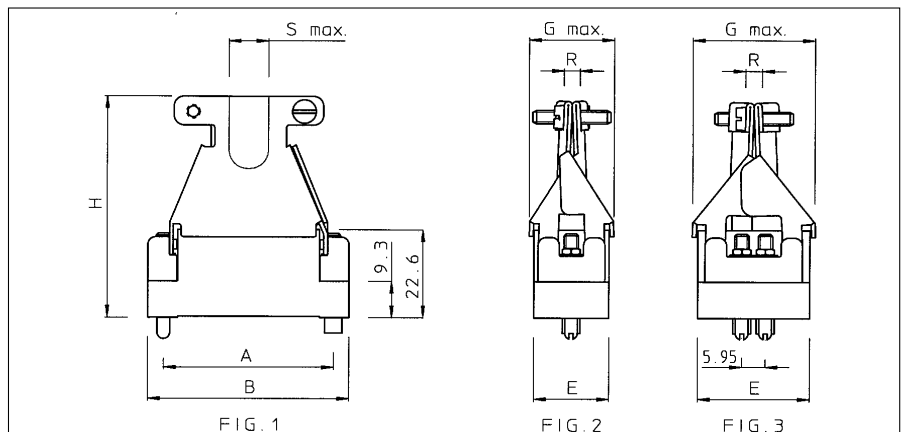
Cable connector without strain relief and turnable jackscrew hardware (MS-M007GE00)



| Connector size | Plug version for male contacts | Receptacle version for female contacts | A | B | D | E | Fig. |
|----------------|--------------------------------|--|-------|-------|-------|-------|-------|
| 9 | MS9PM007GE00 | MS9RM007GE00 | 25.4 | 33.3 | 20.5 | 9.5 | 1-2 |
| 14 | MS14PM007(*)GE00 | MS14RM007(*)GE00 | 23.8 | 31.8 | 20.1 | 11.7 | |
| 18 | MS18PM007GE00 | MS18RM007GE00 | 25.4 | 33.3 | 20.5 | 14.2 | |
| 20 | MS20PM007(*)GE00 | MS20RM007(*)GE00 | 31.75 | 39.65 | 27.95 | 11.7 | |
| 26 | MS26PM007(*)GE00 | MS26RM007(*)GE00 | 33.3 | 41.3 | 27.2 | 15.0 | |
| 34 | MS34PM007(*)GE00 | MS34RM007(*)GE00 | 42.8 | 50.8 | 35.7 | 19.05 | |
| 42 | MS42PM007(*)GE00 | MS42RM007(*)GE00 | 50.55 | 58.65 | 42.95 | 1-3 | |
| 50 | MS50PM007(*)GE00 | MS50RM007(*)GE00 | 57.95 | 65.85 | 50.85 | | 18.95 |
| 75 | MS75PM007(*)GE00 | MS75RM007(*)GE00 | | | | | 28.1 |

(*) Complete part number with "S" for connector with protective shroud.

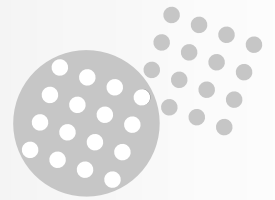
Cable connector with metal butterfly hood and guiding hardware (MS-M120GE00)



| Connector size | Part number | | A | B | E | G max. | H | S max. | R max. | Fig. |
|----------------|--------------------------------|--|------|------|-------|--------|------|--------|--------|------|
| | Plug version for male contacts | Receptacle version for female contacts | | | | | | | | |
| 34 | MS34PM120(*)GE00 | MS34RM120(*)GE00 | 42.8 | 50.8 | 19.05 | 22.2 | 56.7 | 10 | 13 | 1-2 |

(*) Complete part number with "S" for connector with protective shroud.

MSO



Rectangular boardmount connectors to mate with MSM cable connectors

Description

The MSO series, derived from the MSM series, is for straight or right-angled application on a printed circuit board. Pre-assembled MSO connectors with pin or socket N(16 contacts are intermateable with the existing MSM rectangular cable connectors.

The N° 16 TRIM TRIO .0625" (1.6mm) diameter contacts are available in either solid machined or stamped and formed versions.

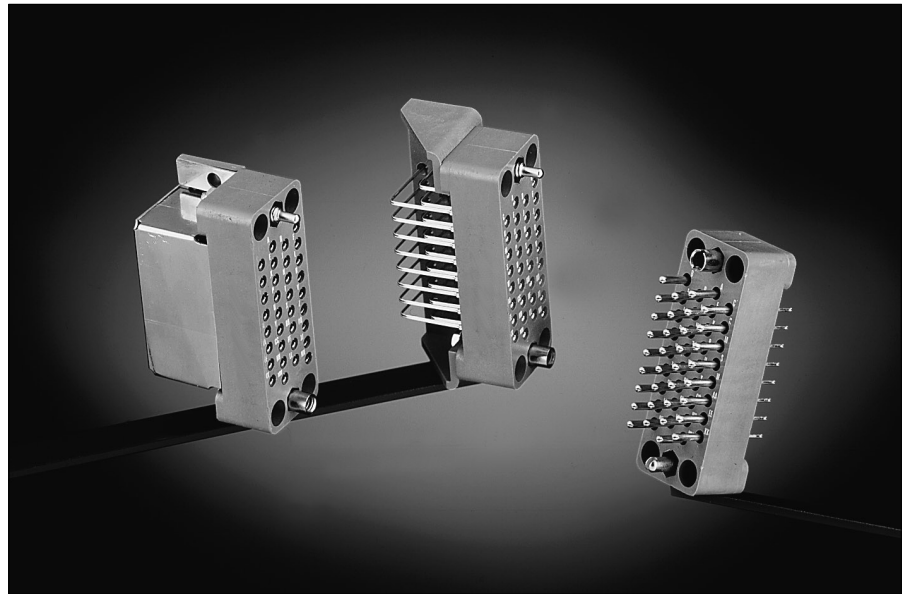
The polarizing hardware can be delivered in either guiding or jackscrew versions.

Features and benefits

- Connectors supplied pre-assembled with dip solder contacts.
- Contacts available in solid machined or stamped and formed version.
- Available in 9-18-34-50-75 positions.
- For right-angled versions, there is a choice of 9-18 and 34 contact positions.
- 34 contact positions suitable for V.35 applications (see section V.35)
- Polarising hardware prevent mismatching.
- UL94-V0 rated thermoplast.

Performance characteristics

| | |
|------------------------|---|
| Operating temperature: | -55°C to +125°C |
| Current rating: | 5 Amp for stamped contacts 7.5 Amp for machined contacts |
| Contact resistance: | ≤ 3 mΩ |
| Insulation resistance: | 5000 M min. |
| Test potential: | 2000 VAC |
| Durability: | 500 matings and unmatings. |



Construction

Connector Material : Glass filled polysulfone
 Flammability rating : UL94-V0
 Polarizing hardware: Brass nickel plated
 Contacts: High conductive copper alloy

Plating table

Plating for solid machined contacts:
 No digit (std) = Min. 0.4 μ Gold all over, over Nickel.
 T = 3 - 5μ Tin all over
 Plating for Stamped and formed contacts :
 K9 (std) = Min. 0.4μ Gold in contact area, 3 - 5μ SnPb on solder tail.
 T = 3 - 5μ Tin all over

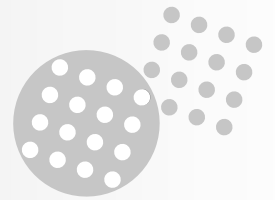
Intermateability

- "MSO" with pre-assembled contacts are intermateable with the "MSM" rectangular cable connectors equipped with TRIM TRIO crimp-type removable snap-lock contacts.

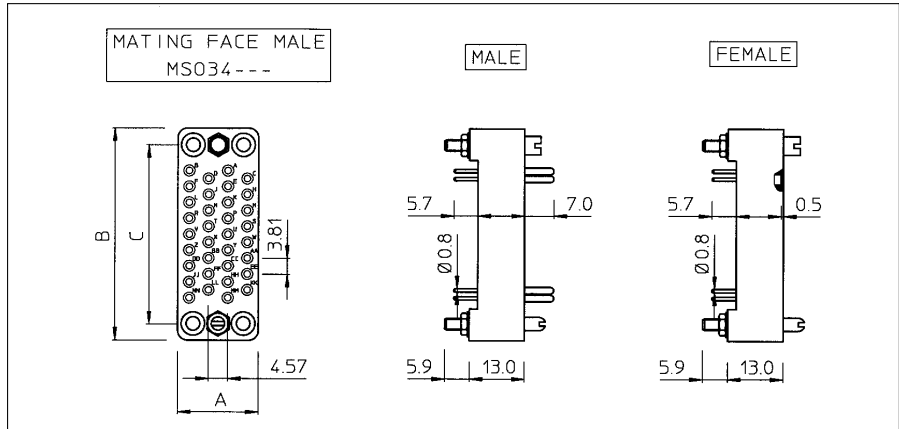
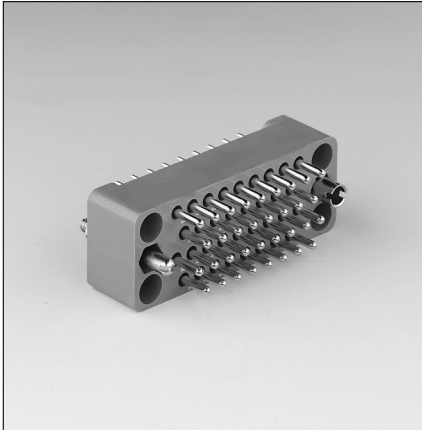
How to order

| | | | | | | | | |
|----------------------------|--|-----------|----------|----------|----------|-----------|------------|-----------|
| Connector family | MSO | 34 | M | R | G | 58 | SE1 | K9 |
| Contact arrangement | | | | | | | | |
| N° 16 contacts | | | | | | | | |
| Type of housing | P: Plug body with male contacts R: Receptacle body with female contacts | | | | | | | |
| Contact termination | K: straight dipsolder G: Right angle dipsolder | | | | | | | |
| Type of hardware | 1: Guide pin and socket 58: Threaded jackscrew pin and socket | | | | | | | |
| Design variation | E1: Solid machined contacts SE1: stamped and formed contacts | | | | | | | |
| Plating indication | | | | | | | | |

MSO



Straight boardmount with guiding hardware (MSO--M-K1--)



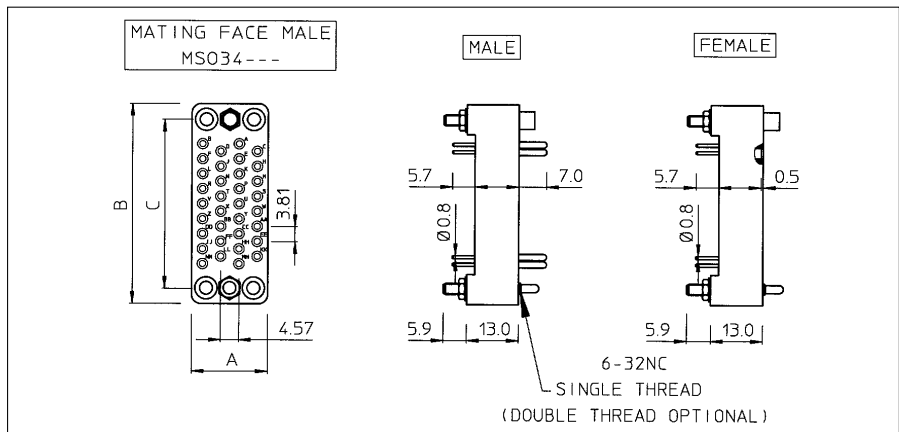
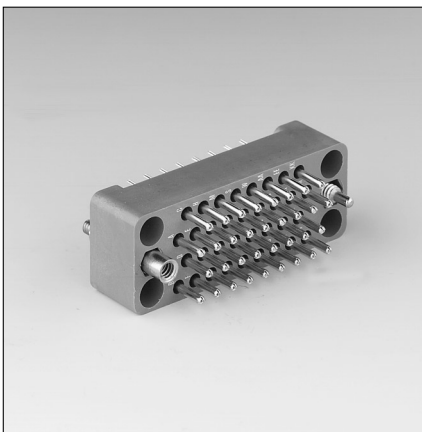
| connector size | Part number | | | | A | B | C |
|----------------|--------------------------------------|-------------|--|----------------|------|------|------|
| | Version with solid machined contacts | | Version with stamped and formed contacts | | | | |
| | male | female | male | female | | | |
| 9 | MSO9MPK1E1 | MSO9MRK1E1 | MSO9MPK1SE1K9 | MSO9MRK1SE1K9 | 9.5 | 33.3 | 25.4 |
| 18 | MSO18MPK1E1 | MSO18MRK1E1 | MSO18MPK1SE1K9 | MSO18MRK1SE1K9 | 15.2 | | |
| 34 | MSO34MPK1E1 | MSO34MRK1E1 | MSO34MPK1SE1K9 | MSO34MRK1SE1K9 | 19.0 | 50.8 | 42.8 |
| 50 | MSO50MPK1E1 | MSO50MRK1E1 | MSO50MPK1SE1K9 | MSO50MRK1SE1K9 | 18.9 | 65.8 | 57.9 |
| 75 | MSO75MPK1E1 | MSO75MRK1E1 | MSO75MPK1SE1K9 | MSO75MRK1SE1K9 | 19.4 | | |

For other platings: See plating table.

Other solder tail lengths on request

Selective loading on request

Straight boardmount with jackscrew hardware (MSO--M-K58--)

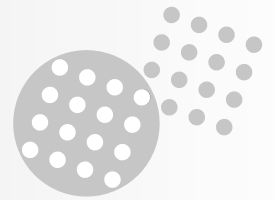


| connector size | Part number | | | | A | B | C |
|----------------|--------------------------------------|--------------|--|-----------------|------|------|------|
| | Version with solid machined contacts | | Version with stamped and formed contacts | | | | |
| | male | female | male | female | | | |
| 9 | MSO9MPK58E1 | MSO9MRK58E1 | MSO9MPK58SE1K9 | MSO9MRK58SE1K9 | 9.5 | 33.3 | 25.4 |
| 18 | MSO18MPK58E1 | MSO18MRK58E1 | MSO18MPK58SE1K9 | MSO18MRK58SE1K9 | 15.2 | | |
| 34 | MSO34MPK58E1 | MSO34MRK58E1 | MSO34MPK58SE1K9 | MSO34MRK58SE1K9 | 19.0 | 50.8 | 42.8 |
| 50 | MSO50MPK58E1 | MSO50MRK58E1 | MSO50MPK58SE1K9 | MSO50MRK58SE1K9 | 18.9 | 65.8 | 57.9 |
| 75 | MSO75MPK58E1 | MSO75MRK58E1 | MSO75MPK58SE1K9 | MSO75MRK58SE1K9 | 19.4 | | |

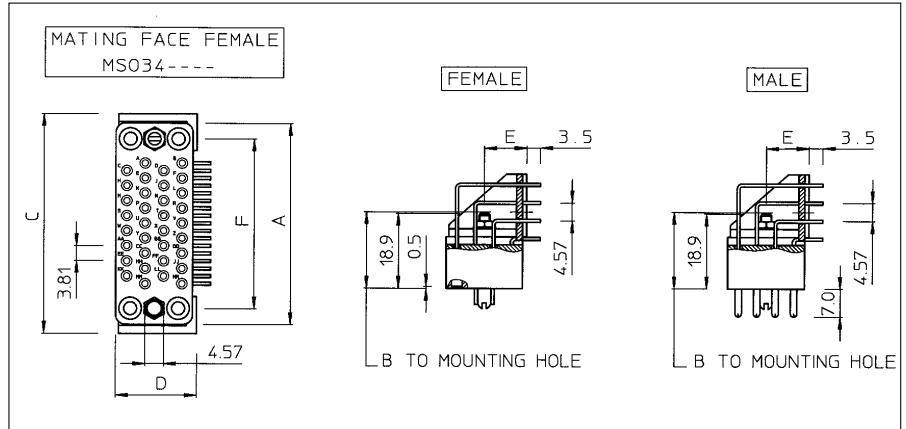
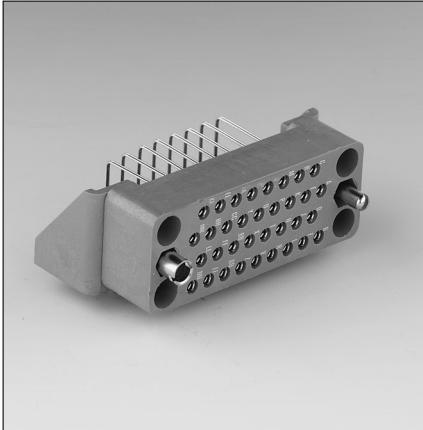
For other platings: See plating table.

Other solder tail lengths on request

Selective loading on request



Right angle boardmount with guiding hardware (MSO--M-G1--)



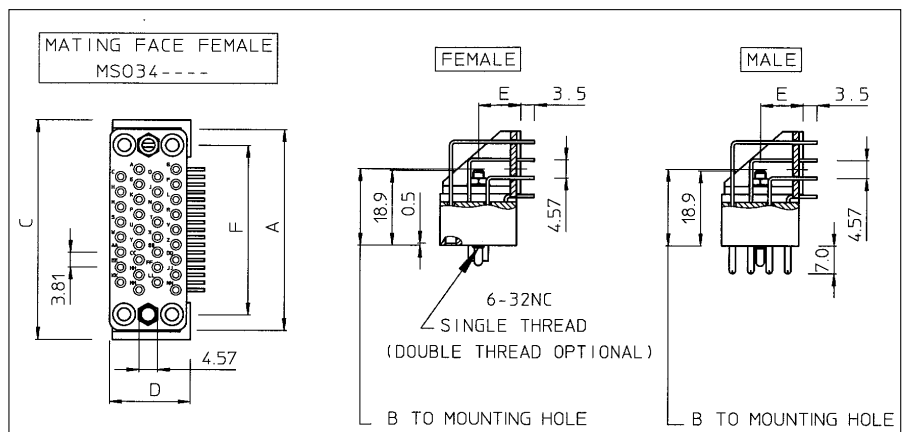
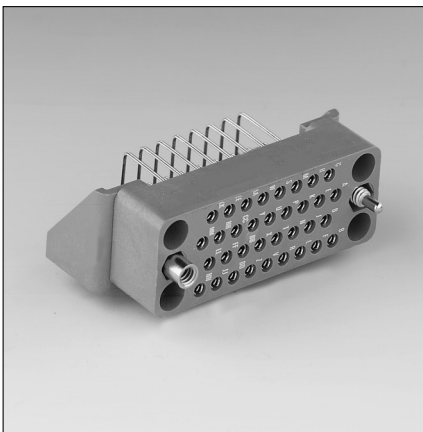
| connector size | Part number | | | | A | B | C | D | E | F |
|----------------|--------------------------------------|-------------|--|----------------|------|------|------|------|------|------|
| | Version with solid machined contacts | | Version with stamped and formed contacts | | | | | | | |
| | male | female | male | female | | | | | | |
| 9 | MSO9MPG1E1 | MSO9MRG1E1 | | | 33.3 | 23.0 | 38.0 | 16.0 | 10.0 | 25.4 |
| 18 | MSO18MPG1E1 | MSO18MRG1E1 | | | | | | 18.0 | | |
| 34 | MSO34MPG1E1 | MSO34MRG1E1 | MSO34MPG1SE1K9 | MSO34MRG1SE1K9 | 50.8 | 19.3 | 55.5 | 20.5 | 10.5 | 42.8 |

For other platings: See plating table.

Other solder tail lengths on request

Selective loading on request

Right angle boardmount with jackscrew hardware (MSO--M-G58--)



| connector size | Part number | | | | A | B | C | D | E | F |
|----------------|--------------------------------------|--------------|--|-----------------|------|------|------|------|------|------|
| | Version with solid machined contacts | | Version with stamped and formed contacts | | | | | | | |
| | male | female | male | female | | | | | | |
| 9 | MSO9MPG58E1 | MSO9MRG58E1 | | | 33.3 | 23.0 | 38.0 | 16.0 | 10.0 | 25.4 |
| 18 | MSO18MPG58E1 | MSO18MRG58E1 | | | | | | 18.0 | | |
| 34 | MSO34MPG58E1 | MSO34MRG58E1 | MSO34MPG58SE1K9 | MSO34MRG58SE1K9 | 50.8 | 19.3 | 55.5 | 20.5 | 10.5 | 42.8 |

For other platings: See plating table.

Other solder tail lengths on request

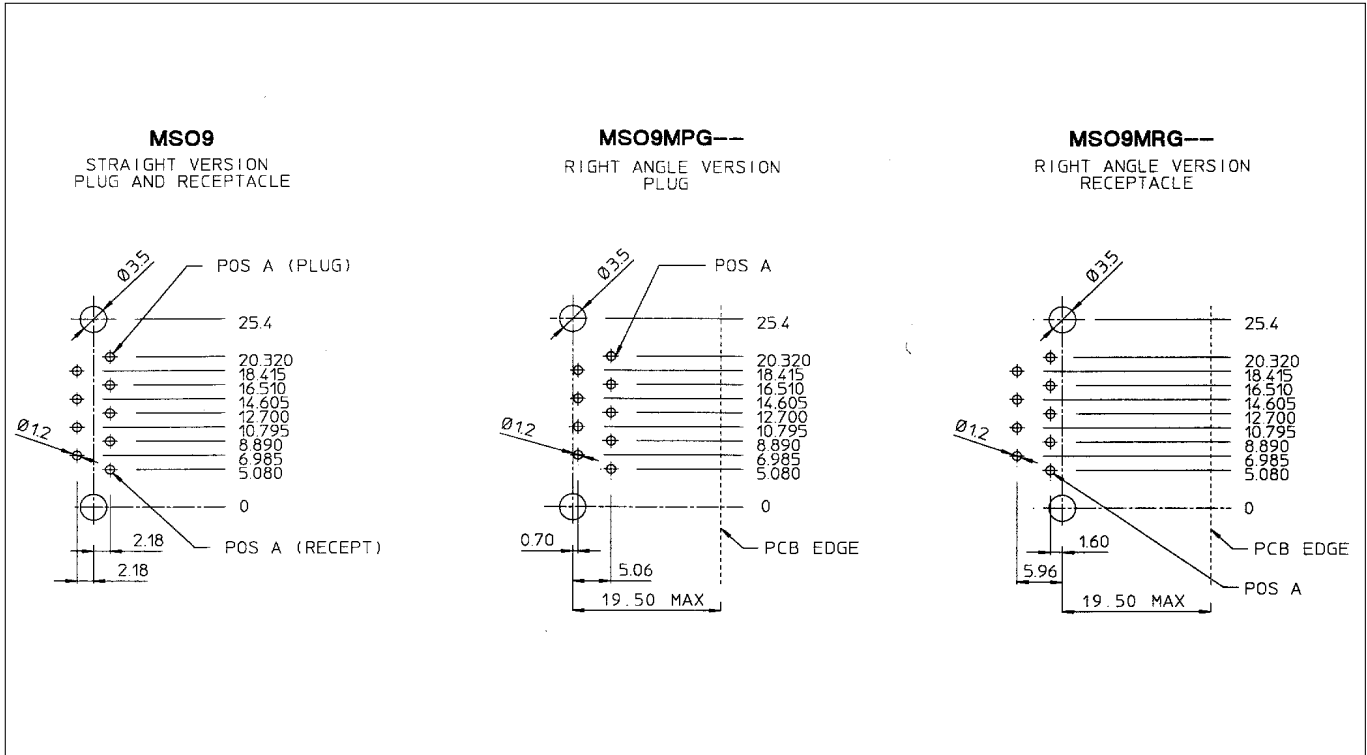
Selective loading on request

MSO

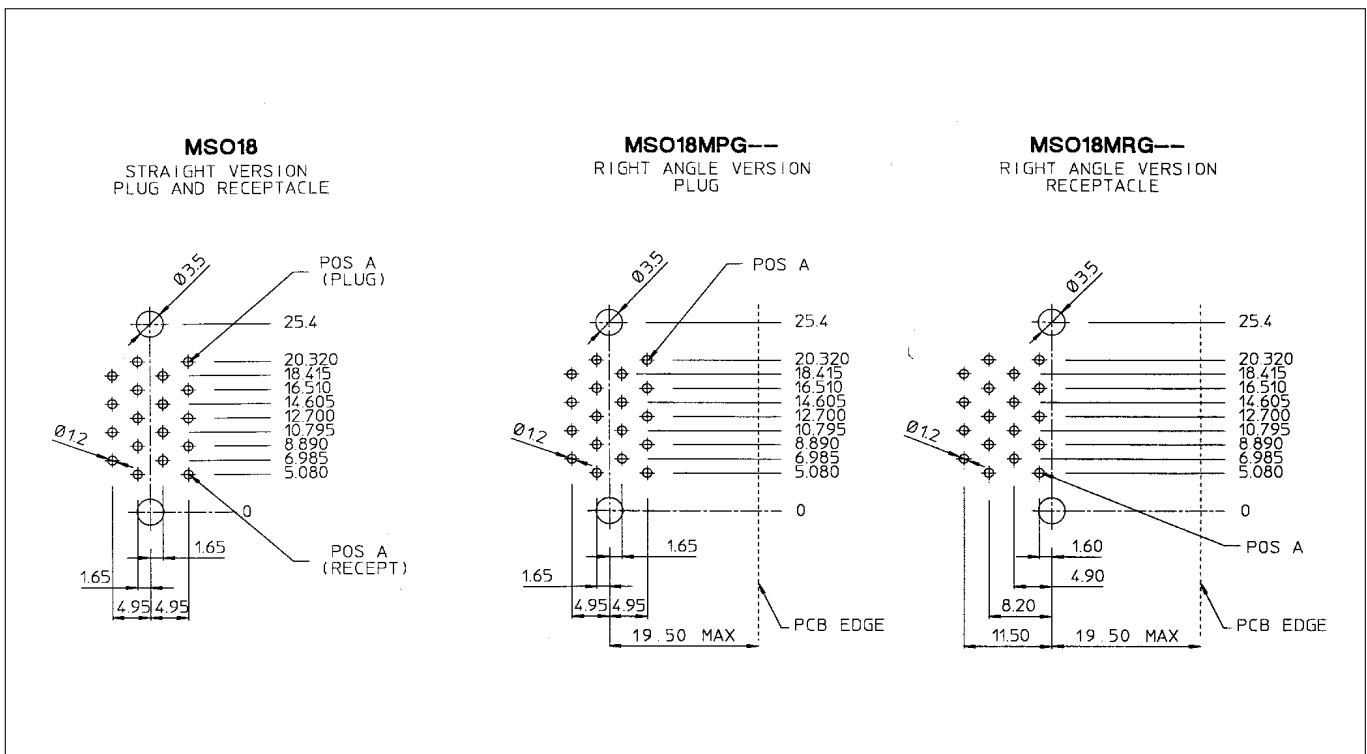


MSO recommended drilling hole pattern

Size 9



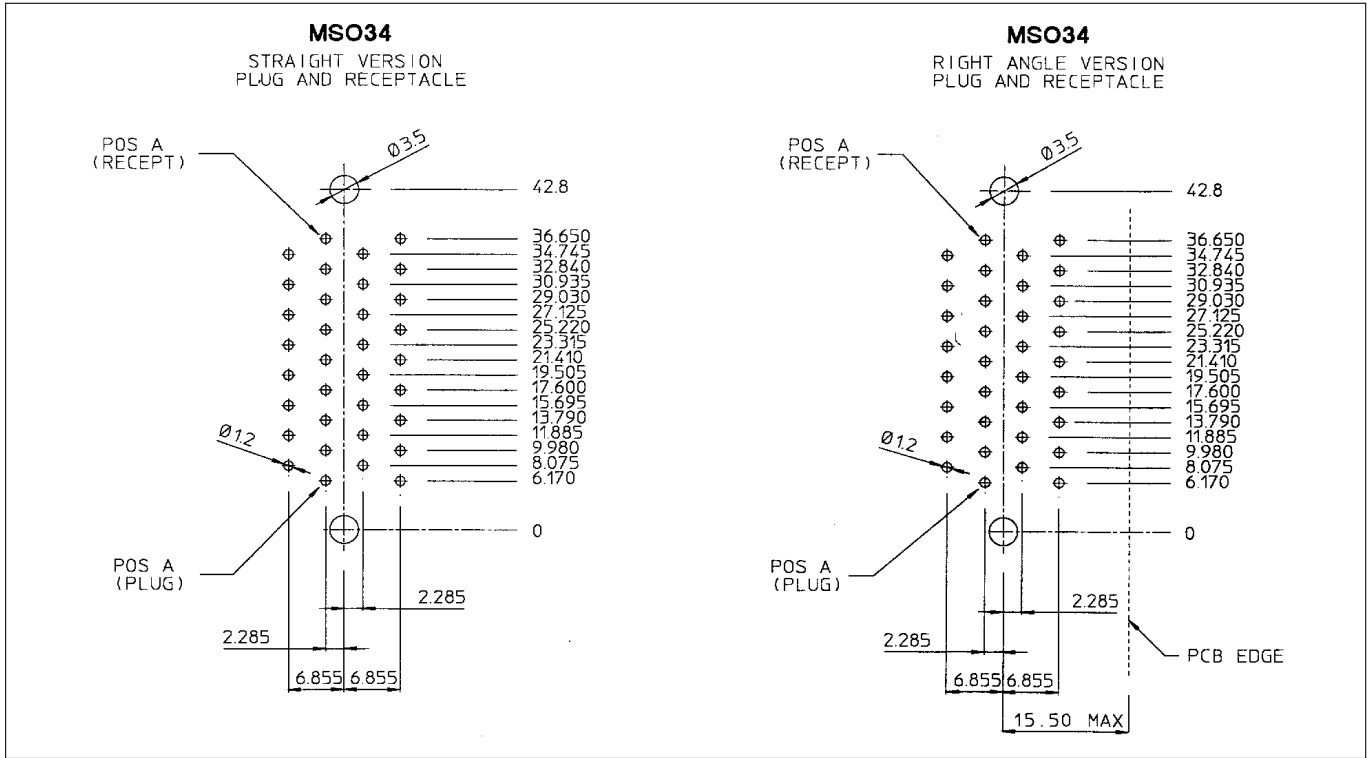
Size 18



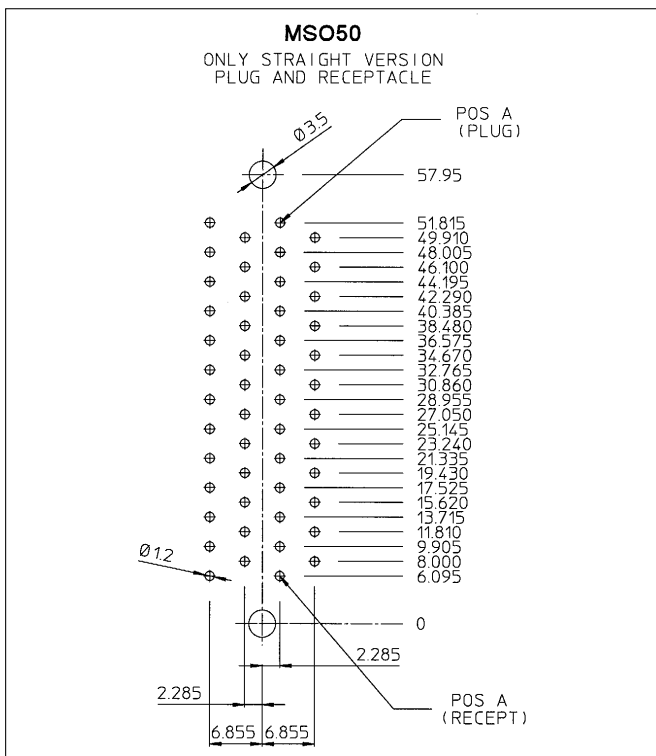


MSO recommended drilling hole pattern

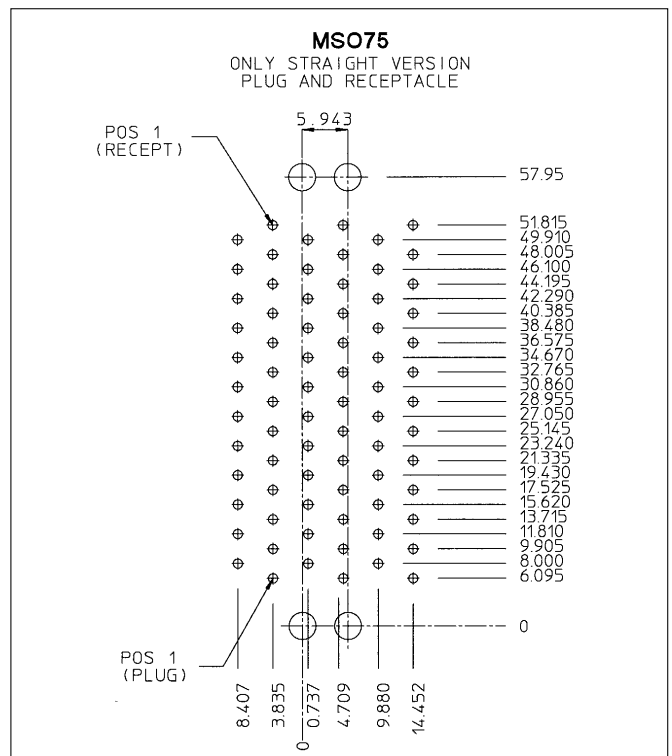
Size 34



Size 50



Size 75





Компания «ЭлектроПласт» предлагает заключение долгосрочных отношений при поставках импортных электронных компонентов на взаимовыгодных условиях!

Наши преимущества:

- Оперативные поставки широкого спектра электронных компонентов отечественного и импортного производства напрямую от производителей и с крупнейших мировых складов;
- Поставка более 17-ти миллионов наименований электронных компонентов;
- Поставка сложных, дефицитных, либо снятых с производства позиций;
- Оперативные сроки поставки под заказ (от 5 рабочих дней);
- Экспресс доставка в любую точку России;
- Техническая поддержка проекта, помощь в подборе аналогов, поставка прототипов;
- Система менеджмента качества сертифицирована по Международному стандарту ISO 9001;
- Лицензия ФСБ на осуществление работ с использованием сведений, составляющих государственную тайну;
- Поставка специализированных компонентов (Xilinx, Altera, Analog Devices, Intersil, Interpoint, Microsemi, Aeroflex, Peregrine, Syfer, Eurofarad, Texas Instrument, Miteq, Cobham, E2V, MA-COM, Hittite, Mini-Circuits, General Dynamics и др.);

Помимо этого, одним из направлений компании «ЭлектроПласт» является направление «Источники питания». Мы предлагаем Вам помощь Конструкторского отдела:

- Подбор оптимального решения, техническое обоснование при выборе компонента;
- Подбор аналогов;
- Консультации по применению компонента;
- Поставка образцов и прототипов;
- Техническая поддержка проекта;
- Защита от снятия компонента с производства.



Как с нами связаться

Телефон: 8 (812) 309 58 32 (многоканальный)

Факс: 8 (812) 320-02-42

Электронная почта: org@eplast1.ru

Адрес: 198099, г. Санкт-Петербург, ул. Калинина, дом 2, корпус 4, литера А.