

FEATURES

- 3.3V and 5V power supply options
- 510ps propagation delay
- 3.0GHz toggle frequency
- High bandwidth output transistions
- Internal 75KΩ input pull-down resistors
- Available in 8-pin SOIC package

**Precision Edge®****DESCRIPTION**

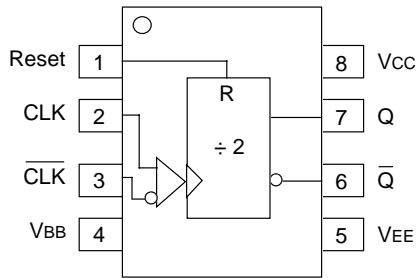
The SY10/100EL32V are integrated ÷2 dividers. The differential clock inputs and the VBB allow a differential, single-ended or AC-coupled interface to the device. If used, the VBB output should be bypassed to ground with a 0.01μF capacitor. Also note that the VBB is designed to be used as an input bias on the EL32V only; the VBB output has limited current sink and source capability.

The reset pin is asynchronous and is asserted on the rising edge. Upon power-on, the internal flip-flop will attain a random state; the reset allows for the synchronization of multiple EL32Vs in a system.

PIN NAMES

| Pin | Function |
|-------|--------------------------|
| CLK | Clock Inputs |
| Reset | Asynchronous Reset |
| VBB | Reference Voltage Output |
| Q | Data Outputs |

PACKAGE/ORDERING INFORMATION



8-Pin SOIC (Z8-1)

Ordering Information⁽¹⁾

| Part Number | Package Type | Operating Range | Package Marking | Lead Finish |
|----------------------------------|--------------|-----------------|--|----------------|
| SY10EL32VZC | Z8-1 | Commercial | HEL32V | Sn-Pb |
| SY10EL32VZCTR ⁽²⁾ | Z8-1 | Commercial | HEL32V | Sn-Pb |
| SY100EL32VZC | Z8-1 | Commercial | XEL32V | Sn-Pb |
| SY100EL32VZCTR ⁽²⁾ | Z8-1 | Commercial | XEL32V | Sn-Pb |
| SY10EL32VZI | Z8-1 | Industrial | HEL32V | Sn-Pb |
| SY10EL32VZITR ⁽²⁾ | Z8-1 | Industrial | HEL32V | Sn-Pb |
| SY100EL32VZI | Z8-1 | Industrial | XEL32V | Sn-Pb |
| SY100EL32VZITR ⁽²⁾ | Z8-1 | Industrial | XEL32V | Sn-Pb |
| SY10EL32VZG ⁽³⁾ | Z8-1 | Industrial | HEL32V with Pb-Free bar-line indicator | Pb-Free NiPdAu |
| SY10EL32VZGTR ^(2, 3) | Z8-1 | Industrial | HEL32V with Pb-Free bar-line indicator | Pb-Free NiPdAu |
| SY100EL32VZG ⁽³⁾ | Z8-1 | Industrial | XEL32V with Pb-Free bar-line indicator | Pb-Free NiPdAu |
| SY100EL32VZGTR ^(2, 3) | Z8-1 | Industrial | XEL32V with Pb-Free bar-line indicator | Pb-Free NiPdAu |

Notes:

1. Contact factory for die availability. Dice are guaranteed at T_A = 25°C, DC Electricals only.
2. Tape and Reel.
3. Pb-Free package is recommended for new designs.

DC ELECTRICAL CHARACTERISTICS⁽¹⁾

V_{EE} = V_{EE} (Min.) to V_{EE} (Max.); V_{CC} = GND

| Symbol | Parameter | T _A = -40°C | | | T _A = 0°C | | | T _A = +25°C | | | T _A = +85°C | | | Unit |
|-----------------|--------------------------|------------------------|------|-------|----------------------|------|-------|------------------------|------|-------|------------------------|------|-------|------|
| | | Min. | Typ. | Max. | Min. | Typ. | Max. | Min. | Typ. | Max. | Min. | Typ. | Max. | |
| I _{EE} | Power Supply Current | | | | | | | | | | | | | mA |
| | 10EL | — | 25 | 30 | — | 25 | 30 | — | 25 | 30 | — | 25 | 30 | |
| | 100EL | — | 25 | 30 | — | 25 | 30 | — | 25 | 30 | — | 29 | 35 | |
| V _{BB} | Output Reference Voltage | | | | | | | | | | | | | V |
| | 10EL | -1.43 | — | -1.30 | -1.38 | — | -1.27 | -1.35 | — | -1.25 | -1.31 | — | -1.19 | |
| | 100EL | -1.38 | — | -1.26 | -1.38 | — | -1.26 | -1.38 | — | -1.26 | -1.38 | — | -1.26 | |
| I _{IH} | Input HIGH Current | — | — | 150 | — | — | 150 | — | — | 150 | — | — | 150 | μA |

NOTE:

1. Parametric values specified at: 10/100EL32V Series: -3.0V to -5.5V.

AC ELECTRICAL CHARACTERISTICS⁽¹⁾

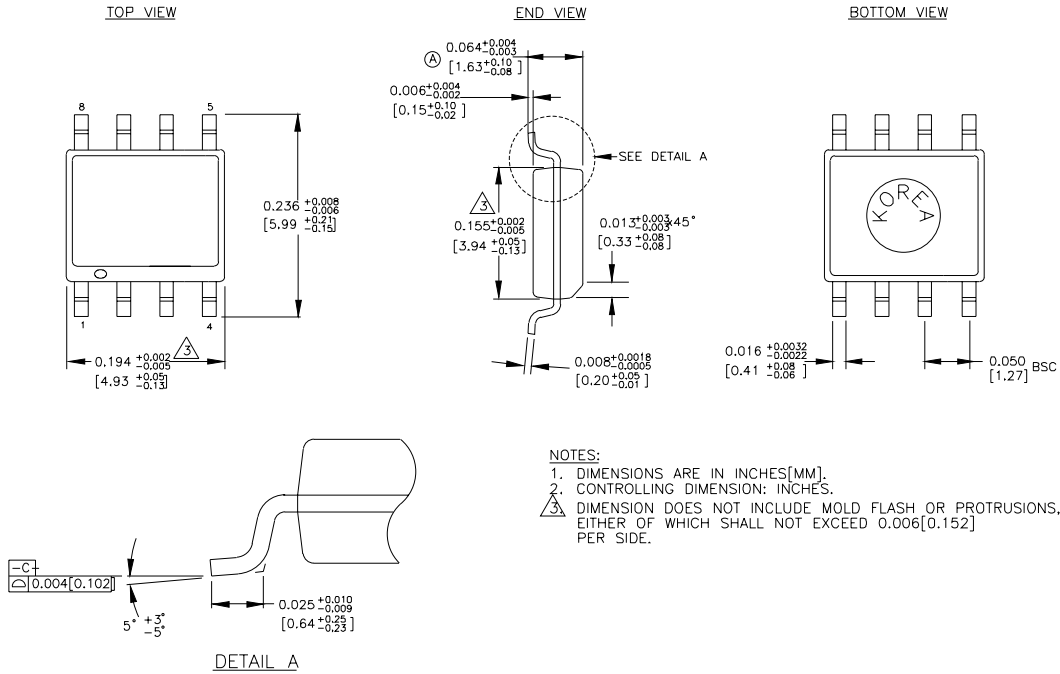
V_{EE} = V_{EE} (Min.) to V_{EE} (Max.); V_{CC} = GND

| Symbol | Parameter | T _A = -40°C | | | T _A = 0°C | | | T _A = +25°C | | | T _A = +85°C | | | Unit |
|----------------------------------|--|------------------------|------|------|----------------------|------|------|------------------------|------|------|------------------------|------|------|------|
| | | Min. | Typ. | Max. | Min. | Typ. | Max. | Min. | Typ. | Max. | Min. | Typ. | Max. | |
| f _{MAX} | Maximum Toggle Frequency | 2.2 | 3.0 | — | 2.6 | 3.0 | — | 2.6 | 3.0 | — | 2.6 | 3.0 | — | GHz |
| t _{PD} | Prop Delay to Output D Reset to Q | 360 | 500 | 640 | 410 | 500 | 590 | 420 | 510 | 600 | 450 | 540 | 630 | ps |
| | | 390 | 540 | 690 | 440 | 540 | 640 | 440 | 540 | 640 | 450 | 550 | 650 | |
| V _{PP} | Minimum Input Swing ⁽²⁾ | 150 | — | — | 150 | — | — | 150 | — | — | 150 | — | — | mV |
| V _{CMR} | Common Mode Range ⁽³⁾ | -1.3 | — | -0.4 | -1.4 | — | -0.4 | -1.4 | — | -0.4 | -1.4 | — | -0.4 | V |
| t _r t _f | Output Rise/Fall Times Q (20% to 80%) | 100 | 225 | 350 | 100 | 225 | 350 | 100 | 225 | 350 | 100 | 225 | 350 | ps |
| | | | | | | | | | | | | | | |

NOTES:

1. Parametric values specified at: 10/100EL32V Series: -3.0V to -5.5V.
2. Minimum input swing for which AC parameters are guaranteed. The device has a DC gain of ≈40.
3. The CMR range is referenced to the most positive side of the differential input signal. Normal operation is obtained if the HIGH level falls within the specified range and the peak-to-peak voltage lies between V_{PP} min. and 1V. The lower end of the CMR range varies 1:1 with V_{EE}. The numbers in the spec table assume a nominal V_{EE} = -3.3V. Note for PECL operation, the V_{CMR} (min) will be fixed at 3.3V - |V_{CMR} (min)|.

8-PIN SOIC .150" WIDE (Z8-1)



Rev. 03

MICREL, INC. 2180 FORTUNE DRIVE SAN JOSE, CA 95131 USA

TEL + 1 (408) 944-0800 FAX + 1 (408) 474-1000 WEB <http://www.micrel.com>

The information furnished by Micrel in this datasheet is believed to be accurate and reliable. However, no responsibility is assumed by Micrel for its use. Micrel reserves the right to change circuitry and specifications at any time without notification to the customer.

Micrel Products are not designed or authorized for use as components in life support appliances, devices or systems where malfunction of a product can reasonably be expected to result in personal injury. Life support devices or systems are devices or systems that (a) are intended for surgical implant into the body or (b) support or sustain life, and whose failure to perform can be reasonably expected to result in a significant injury to the user. A Purchaser's use or sale of Micrel Products for use in life support appliances, devices or systems is at Purchaser's own risk and Purchaser agrees to fully indemnify Micrel for any damages resulting from such use or sale.

© 2005 Micrel, Incorporated.



Компания «ЭлектроПласт» предлагает заключение долгосрочных отношений при поставках импортных электронных компонентов на взаимовыгодных условиях!

Наши преимущества:

- Оперативные поставки широкого спектра электронных компонентов отечественного и импортного производства напрямую от производителей и с крупнейших мировых складов;
- Поставка более 17-ти миллионов наименований электронных компонентов;
- Поставка сложных, дефицитных, либо снятых с производства позиций;
- Оперативные сроки поставки под заказ (от 5 рабочих дней);
- Экспресс доставка в любую точку России;
- Техническая поддержка проекта, помощь в подборе аналогов, поставка прототипов;
- Система менеджмента качества сертифицирована по Международному стандарту ISO 9001;
- Лицензия ФСБ на осуществление работ с использованием сведений, составляющих государственную тайну;
- Поставка специализированных компонентов (Xilinx, Altera, Analog Devices, Intersil, Interpoint, Microsemi, Aeroflex, Peregrine, Syfer, Eurofarad, Texas Instrument, Miteq, Cobham, E2V, MA-COM, Hittite, Mini-Circuits, General Dynamics и др.);

Помимо этого, одним из направлений компании «ЭлектроПласт» является направление «Источники питания». Мы предлагаем Вам помощь Конструкторского отдела:

- Подбор оптимального решения, техническое обоснование при выборе компонента;
- Подбор аналогов;
- Консультации по применению компонента;
- Поставка образцов и прототипов;
- Техническая поддержка проекта;
- Защита от снятия компонента с производства.



Как с нами связаться

Телефон: 8 (812) 309 58 32 (многоканальный)

Факс: 8 (812) 320-02-42

Электронная почта: org@eplast1.ru

Адрес: 198099, г. Санкт-Петербург, ул. Калинина, дом 2, корпус 4, литера А.