

Surge protection device - D-LAN-CAT.5E - 2858991

Please be informed that the data shown in this PDF Document is generated from our Online Catalog. Please find the complete data in the user's documentation. Our General Terms of Use for Downloads are valid (<http://download.phoenixcontact.com>)



RJ-45 attachment plug with surge protection for LAN interfaces for inserting in the data line, incl. RJ45 cable



Key commercial data

Packing unit	1
Minimum order quantity	1
Catalog page	Page 97 (TT-2005)
GTIN	 4 017918 920463
Custom tariff number	85363010
Country of origin	GERMANY

Technical data

General

Housing material	Aluminum, anodized
Color	black
Standards for air and creepage distances	DIN VDE 0110-1
Standards for air and creepage distances	IEC 60664-1
Surge voltage category	II
Pollution degree	2
Ambient temperature (operation)	-40 °C ... 80 °C
Mounting type	Connection-specific intermediate plugging
Design	Attachment plug
Degree of protection	IP20
Direction of action	Line-Line & Line-Shield & Shield-Earth Ground
Width	25.4 mm
Height	94 mm
Depth	25.4 mm

Protective circuit

IEC category	C1
IEC category	C2

Surge protection device - D-LAN-CAT.5E - 2858991

Technical data

Protective circuit

IEC category	C3
IEC category	B2
IEC category	B3
VDE requirement class	C1
VDE requirement class	C2
VDE requirement class	C3
VDE requirement class	B2
VDE requirement class	B3
Maximum continuous voltage UC (wire-wire)	± 7 V DC
Maximum continuous voltage UC (wire-ground)	± 7 V DC
Nominal current I _N	1.5 A (25 °C)
Operating effective current I _C at UC	≤ 100 µA
Ground conductor current I _{PE}	≤ 100 µA
Nominal discharge surge current I _n (8/20) µs (Core-Core)	350 A
Nominal discharge surge current I _n (8/20) µs (Core-Earth)	2.5 kA
Max. discharge surge current I _{max} (8/20) µs maximum (Core-Earth)	2.5 kA (in total)
Nominal pulse current I _{an} (10/700) µs (Core-Core)	160 A
Nominal pulse current I _{an} (10/700) µs (Core-Earth)	160 A
Output voltage limitation at 1 kV/µs (Core-Core) spike	≤ 22 V
Output voltage limitation at 1 kV/µs (Core-Earth) spike	≤ 80 V (equipotential bonding lead: 1 m)
Output voltage limitation at 1 kV/µs (Shield-Earth) spike	≤ 700 V (equipotential bonding lead: 1 m)
Residual voltage at I _n , (conductor-conductor)	≤ 45 V
Residual voltage at I _n , (conductor-ground)	≤ 45 V
Residual voltage at I _n , (shield-ground)	≤ 700 V
Protection level UP (Core-Core)	≤ 50 V (C1, 500 V/250 A)
Protection level UP (Core-Core)	≤ 20 V (B3, 2 kV/25 A)
Protection level UP (Core-Earth)	≤ 65 V (C1, 500 V/250 A - PA-Ltg: 1 m)
Protection level UP (Core-Earth)	≤ 25 V (B3, 2 kV/25 A - PA-Ltg: 1 m)
Protection level UP (Core-Earth)	≤ 60 V (C3, 7 kV/90 A - PA-Ltg: 1 m)
Protection level UP (Shield-Earth)	≤ 850 V (C2, 4 kV/2 kA - PA-Ltg: 1 m)
Response time t _A (Core-Core)	≤ 500 ns
Response time t _A (Core-Earth)	≤ 100 ns
Input attenuation a _E , sym.	1 dB (up to 100 MHz, 100 Ω system)
Near-end crosstalk attenuation	36 dB (pair 3-6 against pair 4-5 in 100 Ω system / 100 MHz)
Near-end crosstalk attenuation	40 dB (all other pair combinations in 100 Ω system/100 MHz)
Cut-off frequency f _g (3 dB), sym. in 100 Ohm system	≤ 100 MHz
Capacity (Core-Core)	20 pF (typical)
Capacity (Core-Earth)	1 pF (typical)
Surge carrying capacity in acc. with IEC 61643-21 (Core-Core)	B2 (4 kV / 100 A)
Surge carrying capacity in acc. with IEC 61643-21 (Core-Core)	B3 (2 kV/25 A)
Surge carrying capacity in acc. with IEC 61643-21 (Core-Core)	C1 (500 V / 250 A)
Surge carrying capacity in acc. with IEC 61643-21 (Core-Earth)	B2 (4 kV / 100 A)

Surge protection device - D-LAN-CAT.5E - 2858991

Technical data

Protective circuit

Surge carrying capacity in acc. with IEC 61643-21 (Core-Earth)	C1 (500 V/250 A)
Surge carrying capacity in acc. with IEC 61643-21 (Core-Earth)	C2 (4 kV / 2 kA)
Surge carrying capacity in acc. with IEC 61643-21 (Core-Earth)	B3 (2 kV/25 A)

Connection data

Connection method	RJ45
Connection type IN	RJ45 female connector
Connection type OUT	RJ45 female connector
Connection method	Network interfaces (e.g. Ethernet, Token Ring and CDDI/FDDI)

Connection, equipotential bonding

Connection method	Cable connection
-------------------	------------------

Connection, protective circuit

Standards/regulations	IEC 61643-21
Standards/regulations	E VDE 0845-3-1
Standards/regulations	DIN EN 50173-1

Classifications

eclass

eCl@ss 4.0	27140201
eCl@ss 4.1	27130801
eCl@ss 5.0	27130801
eCl@ss 5.1	27130801
eCl@ss 6.0	27130807
eCl@ss 7.0	27130807

etim

ETIM 2.0	EC000943
ETIM 3.0	EC000943
ETIM 4.0	EC000943

unspsc

UNSPSC 6.01	30212010
UNSPSC 7.0901	39121610
UNSPSC 11	39121610
UNSPSC 12.01	39121610
UNSPSC 13.2	39121620

Approvals

Approvals

Surge protection device - D-LAN-CAT.5E - 2858991

Approvals

Approvals

UL Listed / GOST / GOST

Ex Approvals

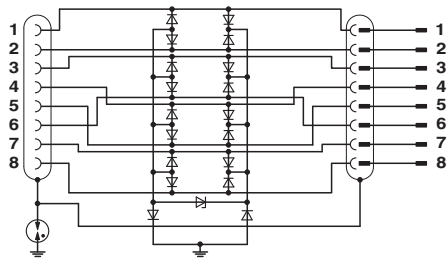
Approvals submitted

Approval details



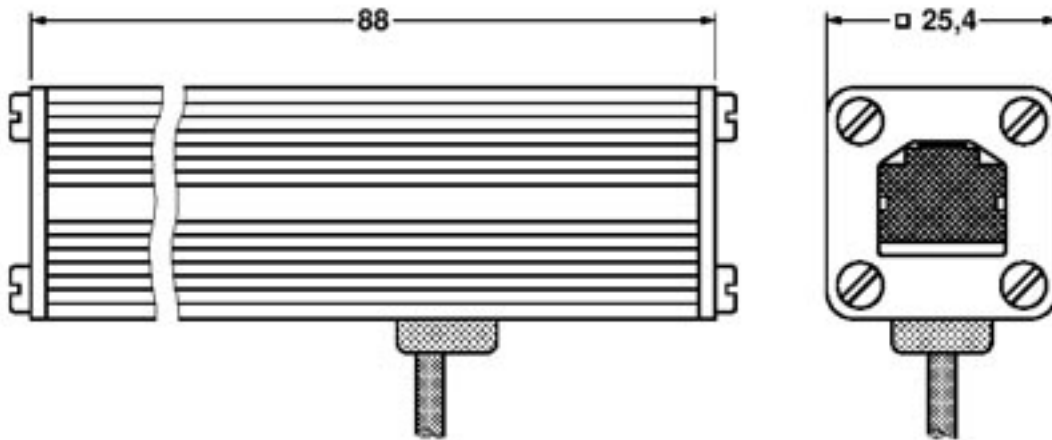
Drawings

Circuit diagram



Surge protection device - D-LAN-CAT.5E - 2858991

Dimensioned drawing



© Phoenix Contact 2012 - all rights reserved
<http://www.phoenixcontact.com>



Компания «ЭлектроПласт» предлагает заключение долгосрочных отношений при поставках импортных электронных компонентов на взаимовыгодных условиях!

Наши преимущества:

- Оперативные поставки широкого спектра электронных компонентов отечественного и импортного производства напрямую от производителей и с крупнейших мировых складов;
- Поставка более 17-ти миллионов наименований электронных компонентов;
- Поставка сложных, дефицитных, либо снятых с производства позиций;
- Оперативные сроки поставки под заказ (от 5 рабочих дней);
- Экспресс доставка в любую точку России;
- Техническая поддержка проекта, помощь в подборе аналогов, поставка прототипов;
- Система менеджмента качества сертифицирована по Международному стандарту ISO 9001;
- Лицензия ФСБ на осуществление работ с использованием сведений, составляющих государственную тайну;
- Поставка специализированных компонентов (Xilinx, Altera, Analog Devices, Intersil, Interpoint, Microsemi, Aeroflex, Peregrine, Syfer, Eurofarad, Texas Instrument, Miteq, Cobham, E2V, MA-COM, Hittite, Mini-Circuits, General Dynamics и др.);

Помимо этого, одним из направлений компании «ЭлектроПласт» является направление «Источники питания». Мы предлагаем Вам помощь Конструкторского отдела:

- Подбор оптимального решения, техническое обоснование при выборе компонента;
- Подбор аналогов;
- Консультации по применению компонента;
- Поставка образцов и прототипов;
- Техническая поддержка проекта;
- Защита от снятия компонента с производства.



Как с нами связаться

Телефон: 8 (812) 309 58 32 (многоканальный)

Факс: 8 (812) 320-02-42

Электронная почта: org@eplast1.ru

Адрес: 198099, г. Санкт-Петербург, ул. Калинина, дом 2, корпус 4, литера А.