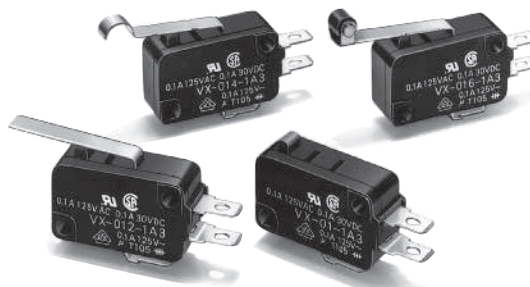









Snap Action Switch VX

Miniature Snap Action Switch

- Compact snap action switch with low force operation
- Wide variation extends from microload to 5 A switching current, with shapes identical to those of the V-series Miniature Basic Snap Action Switch.
- Internal hinge lever mechanism assures outstanding contact reliability
- RoHS Compliant



Ordering Information

Actuator	Terminal Style	OF max.	Rated current	
			5 A	0.1 A
Pin plunger 	A	25 gf	VX-5-1A2	VX-01-1A2
		50 gf	VX-5-1A3	VX-01-1A3
	C2	25 gf	VX-5-1C22	VX-01-1C22
		50 gf	VX-5-1C23	VX-01-1C23
Short hinge lever 	A	50 gf	VX-51-1A3	VX-011-1A3
	C2		VX-51-1C23	VX-011-1C23
Hinge lever 	A	30 gf	VX-52-1A3	VX-012-1A3
	C2		VX-52-1C23	VX-012-1C23
Long hinge lever 	A	20 gf	VX-53-1A3	VX-013-1A3
	C2		VX-53-1C23	VX-013-1C23
Simulated roller lever 	A	30 gf	VX-54-1A3	VX-014-1A3
	C2		VX-54-1C23	VX-014-1C23
Short hinge roller lever 	A	60 gf	VX-55-1A3	VX-015-1A3
	C2		VX-55-1C23	VX-015-1C23
Hinge roller lever 	A	30 gf	VX-56-1A3	VX-016-1A3
	C2		VX-56-1C23	VX-016-1C23

Model Number Legend

VX - □ □ - □ □ □ □
1 2 3 4 5

1. Ratings

- 5: 5 A at 250 VAC
- 01: 0.1 A at 30 VDC

2. Actuator

- None: Pin plunger
- 1: Short hinge lever
- 2: Hinge lever
- 3: Long hinge lever
- 4: Simulated roller lever
- 5: Short hinge roller lever
- 6: Hinge roller lever

3. Contact Form

- 1: SPDT
- 2: SPST-NC
- 3: SPST-NO

4. Terminals

- A: Solder terminals
- C2: Quick-connect terminals (#187)

5. Maximum Operating Force

- 2: 25 gf
 - 3: 50 gf
- Note:** These OF values are for the pin plunger models.

Specifications

Characteristics

Item	VX-5	VX-01
Operating speed	0.1 mm to 1 m/s (pin plunger models)	
Operating frequency	Mechanical: 600 operations per minute Electrical: 30 operations per minute	
Contact resistance	30 mΩ max.	50 mΩ max.
Insulation resistance	100 MΩ min. at 500 VDC	
Dielectric strength (see note 2)	1,000 VAC, 50/60 Hz for 1 minute between terminals of same polarity 1,500 VAC, 50/60 Hz for 1 minute between current-carrying metal parts and ground and between each terminal and non-current-carrying metal parts	
Vibration resistance (see note 3)	Malfunction: 10 to 55 Hz, 1.5 mm double amplitude	
Shock resistance (see note 3)	Destruction: 400 m/s ² (approx. 40G) max. Malfunction: 100 m/s ² (approx. 10G) max	
Degree of protection	IEC IP40	
Degree of protection against electric shock	Class I	
Proof tracking index	175	
Ambient operating temperature	-25°C to 80°C (at 60% RH max.) with no icing	
Ambient operating humidity	85% max (for 5°C to 35°C)	
Service life	Mechanical	50,000,000 operations min. (60 ops/minute)
	Electrical	10,000,000 operations min. (60 ops/minute)
Weight	Mechanical	500,000 operations min. (30 ops/minute)
	Electrical	1,000,000 operations min. (30 ops/minute)
Weight	Approx. 6.2 g (pin plunger models)	

- Note:**
1. Data shown are of initial value.
 2. The dielectric strength shown is measured using a separator between the switch and metal mounting plate.
 3. For the pin plunger models, the above values apply for use at the free position and total travel position. For lever models, they apply at the total travel position. Contact separation time is within 1 ms.

Ratings (reference values)

Type	Rated voltage	Resistive load		Lamp load		Inductive load	
		NC	NO	NC	NO	NC	NO
5 A	250 VAC		5		---		---
	125 VAC		5		0.5		4
	8 VDC		5		3		4
	30 VDC		5		3		4
	125 VDC		0.4		0.1		0.4
	250 VDC		0.3		0.05		0.2
0.1 A	125 VAC		0.1		---		---
	8 VDC		0.1		---		---
	30 VDC		0.1		---		---

- Note:**
1. Inductive load has a power factor of 0.4 min. (AC) and a time constant of 7 milliseconds max. (DC).
 2. Lamp load has an inrush current of 10 times the steady-state current
 3. The electrical rating applies under the following test conditions:
Ambient Temperature = 20±2°C, Ambient Humidity = 65±5%, Operating frequency = 30 operations/minute

Approved Standards

UL Recognized (File No. E41515)
CSA Certified (File No. LR21642)

Rated Voltage	VX-5	VX-01
125 VAC	5 A	0.1 A
250 VAC	5 A	---
30 VDC	---	0.1 A

EN61058-1 - - VDE approval (File No. 124761)

Rated Voltage	VX-5	VX-01
125 VAC	5 A	0.1 A
250 VAC	5 A	---

Testing conditions: 5E4 (50,000 operations), T105 (0°C to 105°C)

Contact Specifications

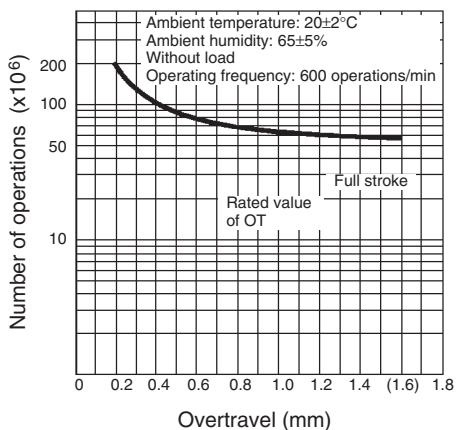
Item	VX-5	VX-01
Specification	Rivet	Crossbar
Material	Silver alloy	Gold alloy
Gap (standard value)	0.5 mm	
Inrush current	NC: 15A max.	
	NO: ---	---
Minimum applicable load (see note)	160 mA at 5 VDC	1 mA at 5 VDC

- Note:** Minimum applicable loads are indicated by N standard reference values. This value represents the failure rate at a 60% (λ_{60}) reliability level (JIS C5003).
The equation $\lambda_{60}=0.5 \times 10^{-6}$ / operations indicates that a failure rate of 1/2,000,000 operations can be expected at a reliability level of 60%

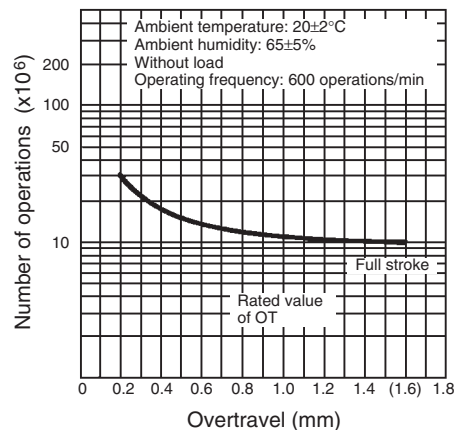
Engineering Data

Mechanical service life

VX-5

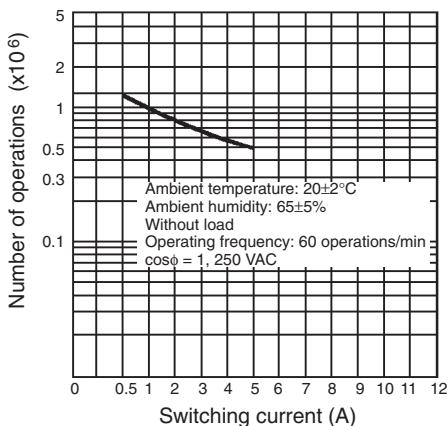


VX-01

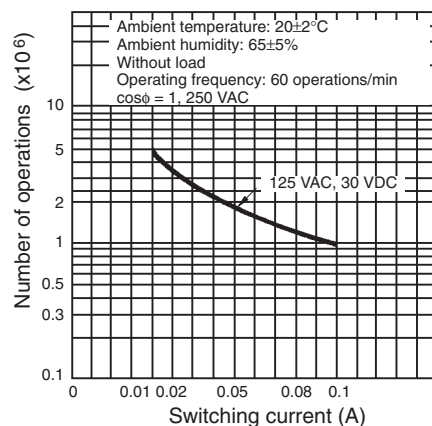


Electrical service life

VX-5



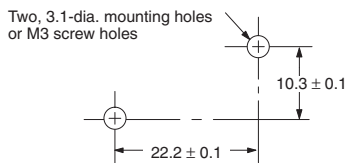
VX-01



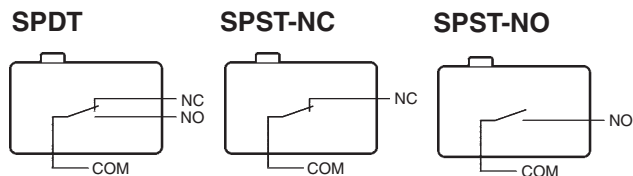
Mounting

Panel Mounting

All switches may be panel mounted using M3 mounting screws with plane washers or spring washers to securely mount the switch. Tighten the screws to a torque of 0.39 to 0.59 N·m.



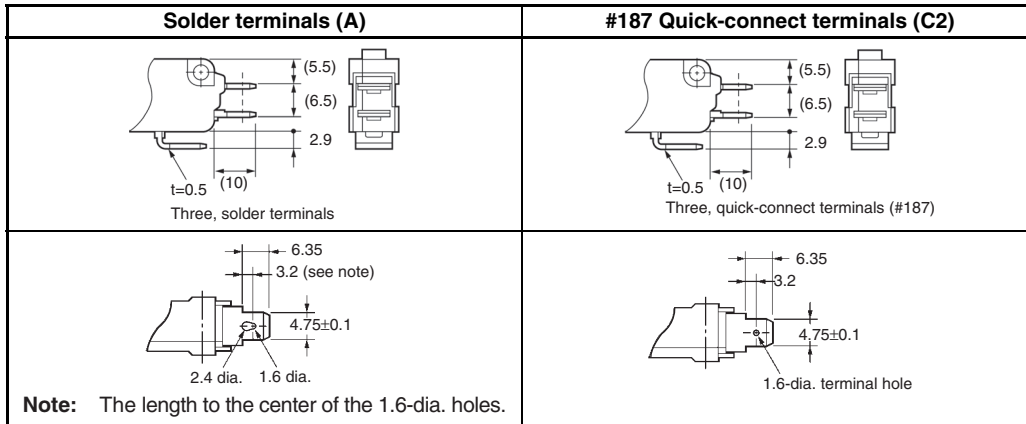
Contact Form



Dimensions

■ Terminals

- Note:** 1. Unless otherwise specified, all units are in millimeters and a tolerance of ± 0.4 mm applies to all dimensions
 2. The following illustrates the SPDT contact form

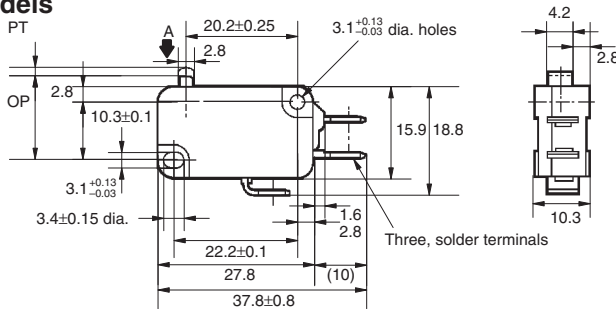
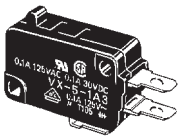


■ Dimensions and Operating Characteristics

- Note:** 1. Unless otherwise specified, all units are in millimeters and a tolerance of ± 0.4 mm applies to all dimensions
 2. The following illustrations and dimensions are for solder terminal models. Refer to "Terminals" for models with quick-connect terminals (#187).
 3. The □ in the model number is for the terminal code. (A = Solder Terminal, C2 = #187 quick-connect terminal)
 4. The operating characteristics are for operation in the A direction(↓)

Pin Plunger Models

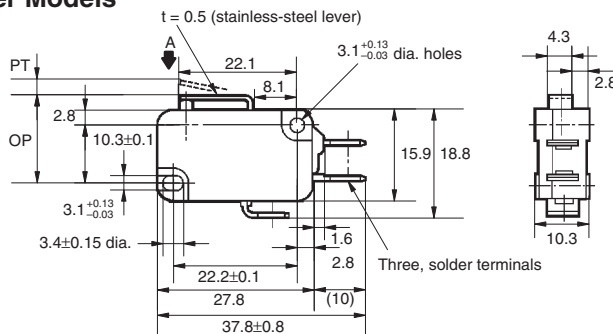
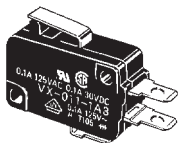
- VX-5-1□2
 VX-5-1□3
 VX-01-1□2
 VX-01-1□3



Characteristics	VX-5-1□2 VX-01-1□2	VX-5-1□3 VX-01-1□3
OF max.	25 gf	50 gf
RF min.	3 gf	5 gf
PT max.	1.2 mm	
OT min.	1.0 mm	
MD max.	0.3 mm	
OP	14.7 ± 0.4 mm	

Short Hinge Lever Models

- VX-51-1□3
 VX-011-1□3

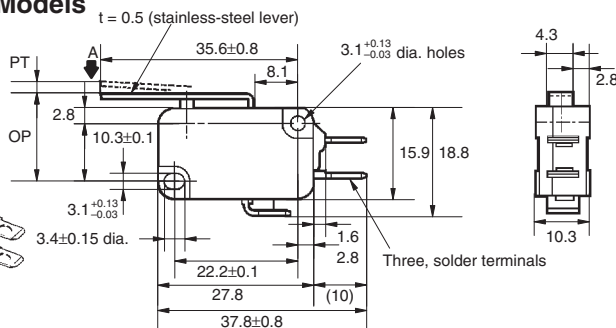
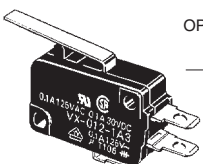


Characteristics	VX-51-1□3	VX-011-1□3
OF max.	50 gf (reference value)	
RF min.	4 gf (reference value)	
PT max.	1.6 mm	
OT min.	0.8 mm	
MD max.	0.5 mm	
OP	15.2 ± 0.5 mm	

Note: The reference value applies for cases when the installation direction is such that the lever weight is not applied to the plunger

Hinge Lever Models

- VX-52-1□3
 VX-012-1□3

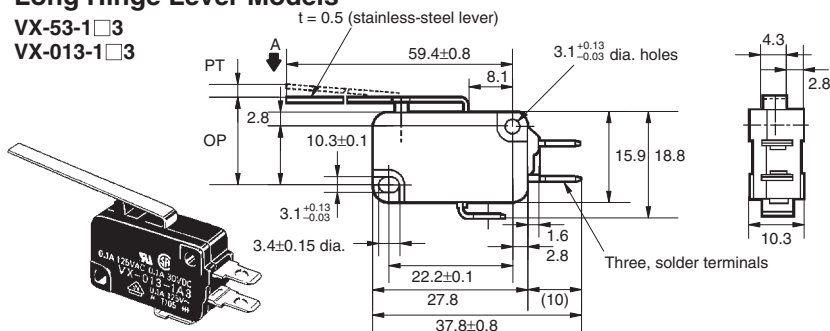


Characteristics	VX-52-1□3	VX-012-1□3
OF max.	30 gf	
RF min.	---	
PT max.	4.0 mm	
OT min.	1.6 mm	
MD max.	0.8 mm	
OP	15.2 ± 1.2 mm	

- Note:** 1. Unless otherwise specified, all units are in millimeters and a tolerance of ± 0.4 mm applies to all dimensions
 2. The following illustrations and dimensions are for solder terminal models. Refer to "Terminals" for models with quick-connect terminals (#187).
 3. The □ in the model number is for the terminal code. (A = Solder Terminal, C2 = #187 quick-connect terminal)
 4. The operating characteristics are for operation in the A direction(↓)

Long Hinge Lever Models

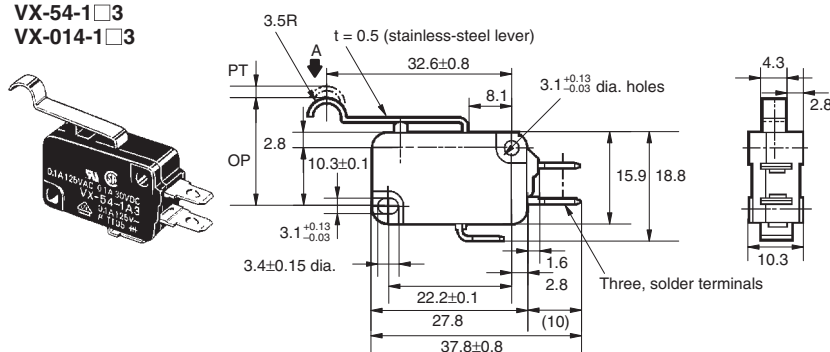
VX-53-1□3
 VX-013-1□3



Characteristics	VX-53-1□3	VX-013-1□3
OF max.		20 gf
RF min.		- - -
PT max.		9.0 mm
OT min.		3.2 mm
MD max.		2.0 mm
OP		15.2 ± 2.6 mm

Simulated Roller Lever Models

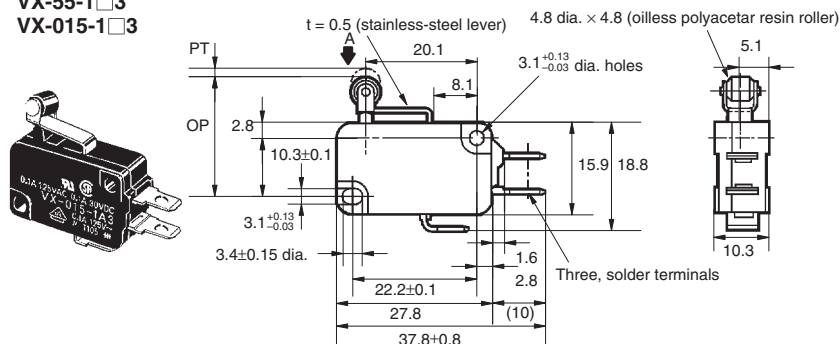
VX-54-1□3
 VX-014-1□3



Characteristics	VX-54-1□3	VX-014-1□3
OF max.		30 gf
RF min.		2 gf
PT max.		4.0 mm
OT min.		1.6 mm
MD max.		0.8 mm
OP		18.7 ± 1.2 mm

Short Hinge Roller Lever Models

VX-55-1□3
 VX-015-1□3

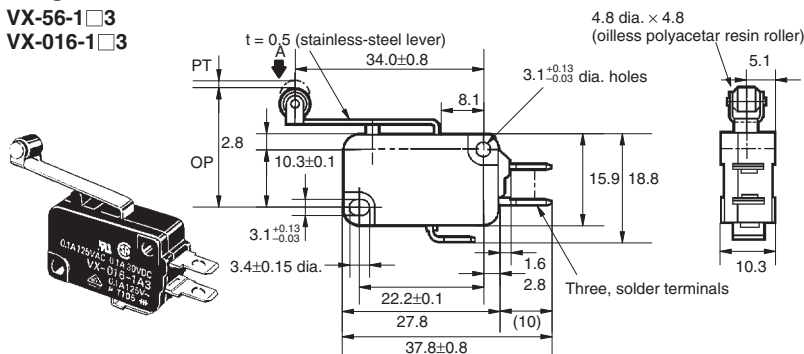


Characteristics	VX-55-1□3	VX-015-1□3
OF max.		60 gf (reference value)
RF min.		4 gf (reference value)
PT max.		1.6 mm
OT min.		0.8 mm
MD max.		0.5 mm
OP		20.7 ± 0.6 mm

Note: The reference value applies for cases when the installation direction is such that the lever weight is not applied to the plunger

Hinge Roller Lever Models

VX-56-1□3
 VX-016-1□3



Characteristics	VX-56-1□3	VX-016-1□3
OF max.		30 gf
RF min.		- - -
PT max.		4.0 mm
OT min.		1.6 mm
MD max.		0.8 mm
OP		20.7 ± 1.2 mm

Precautions

■ Correct Use

Mounting Direction

For a switch with an actuator, mount the switch in a direction where the actuator weight will not be applied to the switch.

Since the switch is designed for a small load, its resetting force is small. Therefore, resetting failure may occur if unnecessary load is applied to the switch.

Operation

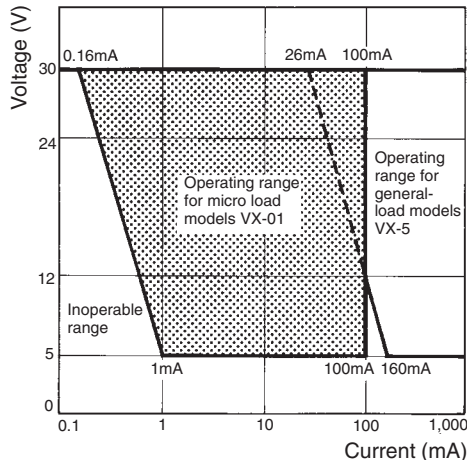
Keep the operation control completely separate from the actuator of the switch, and push it down fully when starting operation. Do not displace the operating position of the actuator when machining.

Consult OMRON in advance if the operating speed is to be extremely slow, or if the pushbutton is to be set somewhere between the free position and operating position.

Mount pin pushbutton switches so that stroke of the pushbutton and the stroke of the operating control overlap on a vertical line. The stroke of the switch, after operation, should be set to 60- 90% that of standard OT (MIN operation).

Using Microloads

Using a model for ordinary loads to switch microloads may result in faulty operation. Instead, use the models that are designed for microloads and that operate in the following range;



However, even when using microload models within the operating range shown above, if inrush current or inductive voltage spikes occur when the contact is opened or closed, it may increase contact wear and so decrease the service life. Therefore, insert a contact protection circuit where necessary.

■ Cautions

Handling

Be careful not to drop the switch. Doing so may cause damage to the switch's internal components because it is designed for a small load.

Solder Terminal Connection

Quickly finish the soldering of the lead wire to its terminal. Use a soldering iron rated at 60W and preferably complete the soldering within 5 seconds.

Excess wattage or prolonged heating can deteriorate the characteristics of the switch.

Insulation Distance

When mounting, make sure there is sufficient insulation distance between the switch and its mounting panel. If it is insufficient, install an insulation guard or separator. Always install an insulation guard or separator when mounting the microswitch on a metallic body. Contact your OMRON representative for information about insulation guards and separators.

Application Environment

Do not use the Switch in locations that are subject to toxic gas, silicon, excessive dust, excessive dirt, high temperatures, high humidity, sudden temperature changes, water splashes, or oil splashes. Otherwise, damage resulting by faulty contact of the Switch contacts, corrosion, or other causes, or other functional faults may occur.

Depending on environmental conditions, the switch should be rechecked about 3 to 6 months after it has been assembled.

A large grid of graph paper for taking notes. The grid consists of 20 columns and 30 rows of small squares. The grid is intended for writing notes or diagrams.

All sales are subject to Omron Electronic Components LLC standard terms and conditions of sale, which can be found at http://www.components.omron.com/components/web/webfiles.nsf/sales_terms.html

ALL DIMENSIONS SHOWN ARE IN MILLIMETERS.

To convert millimeters into inches, multiply by 0.03937. To convert grams into ounces, multiply by 0.03527.

OMRON[®]

**OMRON ELECTRONIC
COMPONENTS LLC**

55 E. Commerce Drive, Suite B
Schaumburg, IL 60173

847-882-2288

OMRON ON-LINE

Global - <http://www.omron.com>

USA - <http://www.components.omron.com>



Компания «ЭлектроПласт» предлагает заключение долгосрочных отношений при поставках импортных электронных компонентов на взаимовыгодных условиях!

Наши преимущества:

- Оперативные поставки широкого спектра электронных компонентов отечественного и импортного производства напрямую от производителей и с крупнейших мировых складов;
- Поставка более 17-ти миллионов наименований электронных компонентов;
- Поставка сложных, дефицитных, либо снятых с производства позиций;
- Оперативные сроки поставки под заказ (от 5 рабочих дней);
- Экспресс доставка в любую точку России;
- Техническая поддержка проекта, помощь в подборе аналогов, поставка прототипов;
- Система менеджмента качества сертифицирована по Международному стандарту ISO 9001;
- Лицензия ФСБ на осуществление работ с использованием сведений, составляющих государственную тайну;
- Поставка специализированных компонентов (Xilinx, Altera, Analog Devices, Intersil, Interpoint, Microsemi, Aeroflex, Peregrine, Syfer, Eurofarad, Texas Instrument, Miteq, Cobham, E2V, MA-COM, Hittite, Mini-Circuits, General Dynamics и др.);

Помимо этого, одним из направлений компании «ЭлектроПласт» является направление «Источники питания». Мы предлагаем Вам помощь Конструкторского отдела:

- Подбор оптимального решения, техническое обоснование при выборе компонента;
- Подбор аналогов;
- Консультации по применению компонента;
- Поставка образцов и прототипов;
- Техническая поддержка проекта;
- Защита от снятия компонента с производства.



Как с нами связаться

Телефон: 8 (812) 309 58 32 (многоканальный)

Факс: 8 (812) 320-02-42

Электронная почта: org@eplast1.ru

Адрес: 198099, г. Санкт-Петербург, ул. Калинина, дом 2, корпус 4, литера А.