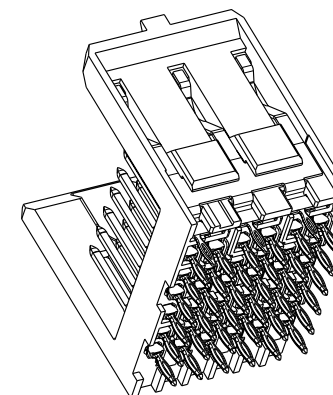
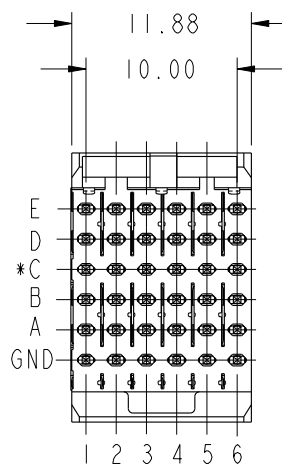
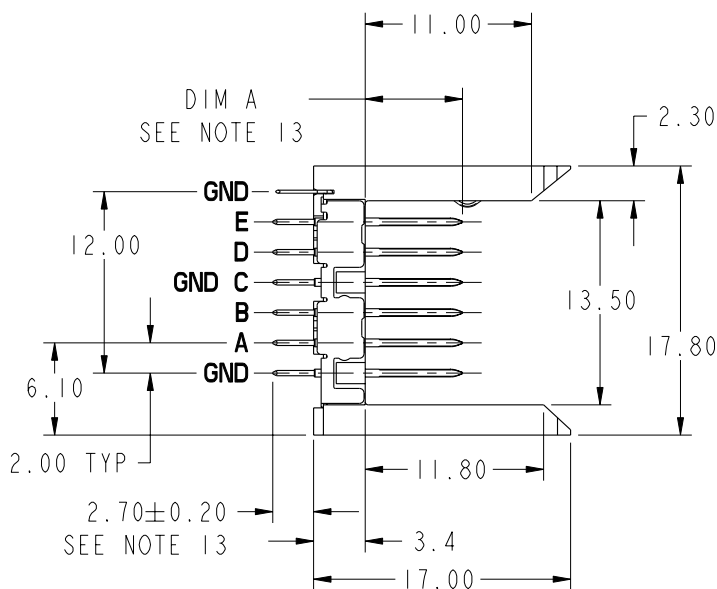
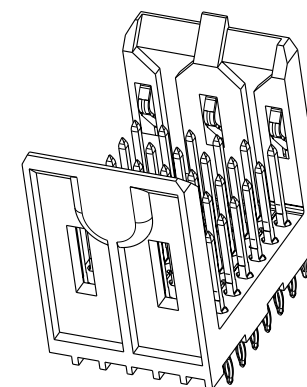
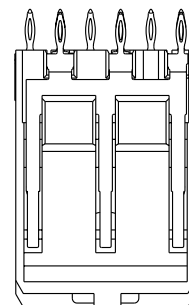


PRODUCT NUMBER	PLATING PERFORMANCE LEVEL	APPLICATION
59566-1YYY	TELCORDIA CO	STANDARD
59566-5YYY	TELCORDIA UE	
59566-1YYYYLF	TELCORDIA CO	LEAD FREE
59566-5YYYYLF	TELCORDIA UE	



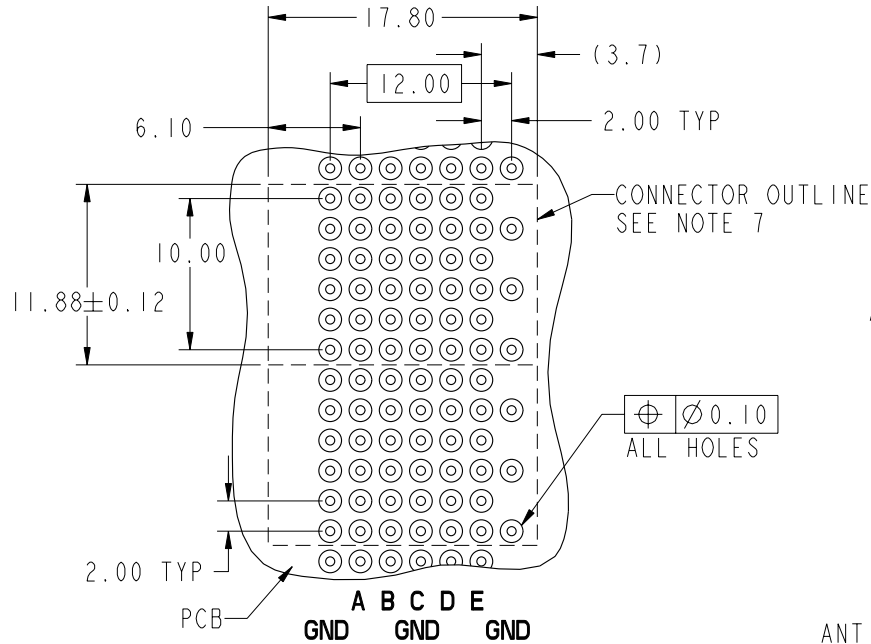
This document is the property of and embodies CONFIDENTIAL and PROPRIETARY information of FCI. No part of the information shown on this document may be used in any way or disclosed to others without the written consent of FCI. Copyright FCI.

*** ROW C INFORMATION**

ODD NUMBER COLUMNS WITHIN ROW C ARE COMMONED TO GROUND INTERNALLY WITHIN THE HOUSING. THE EVEN NUMBER COLUMNS WITHIN ROW C ARE NOT. FOR MAXIMUM PERFORMANCE IT IS RECOMMENDED THESE EVEN COLUMNS BE COMMONED TO GROUND WITHIN THE PCB, SEE NOTE 12

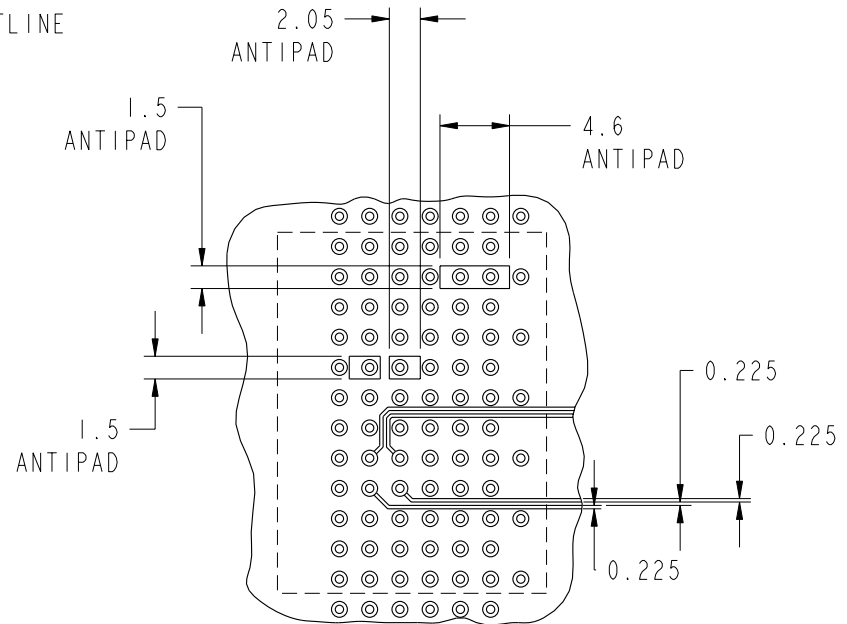
mat'l code SEE TABLE				tolerances unless otherwise specified		CUSTOMER	FCI	
ltr	ecm no.	dr	date	linear	0.X ±0.3	COPY	www.fciconnect.com	
H	V06-0061	DCH	2006-07-07		0.XX ±0.13	projection	title VERTICAL SIGNAL HDR 5 ROW	
J	V06-0868	DCH	2006-08-29		.XXX ±.051		P.F. 30 POS. SELECT LOAD STD.	
K	V07-0174	DCH	2007-04-13	angles	0° ±2°		product family METRAL 4000 code	
L	V07-0556	DCH	2007-08-22	dr	C. DAILY 2002-01-15		size	dwg no
M	V07-0696	HTB	2007-11-28	engr	J. VOLSTROF 2001-10-31		A	59566
-	-	-	-	chr	J. VOLSTROF 2002-01-15	scale	sheet	
G	V06-0498	DCH	2006-05-23	appd	J. VOLSTROF 2002-01-15	1:1	1 of 4	
sheet index	revision sheet	M 1	M 2	M 3	M 4			

PRODUCT NUMBER
SEE SHEET 1



RECOMMENDED PCB HOLE PATTERN
(COMPONENT SIDE)
(SEE NOTE 11)

PRESS-FIT HOLES	OPTION 1	OPTION 2
HOLE DIAMETER AFTER PLATING	0.45-0.55	0.48-0.57
DRILLED HOLE	0.60±0.02	0.60±0.02
COPPER PLATING	0.025 MIN-0.050 MAX.	0.025 MIN-0.050 MAX.
SnPb PLATING	0.005-0.015	---



RECOMMENDED TRACK AND ANTI PAD DIMENSIONS SCALE 2:1

mat'l code SEE TABLE				tolerances unless otherwise specified		CUSTOMER		www.fciconnect.com			
ltr	ecr no.	dr	date	linear	0.X ±0.3	COPY			title VERTICAL SIGNAL HDR 5 ROW P.F. 30 POS. SELECT LOAD STD.		
M					0.XX ±0.13	projection					
					.XXX ±.051						
				angles	0° ±2°			product family	METRAL 4000		
				dr	C. DAILY	2002-01-15			code	213	
				enr	J. VOLSTROF	2001-10-31	size	dwg no	2		
				chr	J. VOLSTROF	2002-01-15	scale	59566		sheet	2
				appd	J. VOLSTROF	2002-01-15	A		2		
sheet index	revision sheet										

This document is the property of and embodies CONFIDENTIAL and PROPRIETARY information of FCI. No part of the information shown on this document may be used in any way or disclosed to others without the written consent of FCI. Copyright FCI.

PRODUCT NUMBER
SEE SHEET 1

NOTES:

- 1. SEE APPLICATION SPECIFICATION GS-20-014 FOR INFORMATION ON AVAILABLE TOOLING, CIRCUIT BOARD DESIGN CONSIDERATIONS, REPAIR PROCEDURES AND PRODUCT OFFERINGS.
SEE PRODUCT SPECIFICATION GS-12-184.
- 2. UNLESS OTHERWISE SPECIFIED, ALL DIMENSIONS AND TOLERANCES ARE IN ACCORDANCE WITH ASME Y14.5, 1994
- 3. HOUSING MATERIAL: LIQUID CRYSTAL POLYMER, 30% GLASS FILLED, FLAME RETARDANT PER UL 94-V0.
PIN MATERIAL: PHOSPHOR BRONZE
GROUND SPRING MATERIAL: PHOSPHOR BRONZE
STRIPLINE SHIELD MATERIAL: PHOSPHOR BRONZE
- 4. PLATING INFORMATION: PLATING ON CONTACT AREA MEETS PERFORMANCE LEVELS SHOWN IN TABLE ON SHEET 1. PLATING ON "LF" TAILS IS Sn ONLY. ALL OTHERS ARE TIN-LEAD.
- 5. DIMENSIONAL RESTRICTIONS OF PINS IN HEADERS.
FOR USE WITH METRAL 4000 RECEPTACLES.
DIM A : 5.00mm MIN, 6.50mm MAX FOR ROWS A,B,D,E
DIM A : 5.00mm MIN, 8.00mm MAX FOR ROWS C
DIM A : 5.00mm MIN, 5.75mm MAX FOR ROWS GND
FOR USE WITH METRAL 1000 RECEPTACLES/
DIM A : 5.00mm MIN, 8.00mm MAX FOR ROWS A,B,C,D,E
DIM A : 5.00mm MIN, 5.75mm MAX FOR ROW GND
- 6. THE MIN PCB THICKNESS FOR FRONT PLUG-UP APPLICATIONS IS 1.6mm.
- 7. THE 'CONNECTOR OUTLINE' IS THE MIN OUTLINE REQUIRED. TO DETERMINE THE OUTLINE NECESSARY TO PERMIT THE VARIOUS TYPES OF REPAIR OPERATIONS, SEE APPLICATION SPECIFICATION GS-20-010.

- 11. AVOID TRACES ON TOP OF BOARD DUE TO EXPOSED GROUND SHIELD.
- 12. FOR FRONT PLUG-UP APPLICATIONS, THE EVEN NUMBERED PINS IN ROW "C" CAN BE USED FOR POWER AS WELL AS GROUND. IF THE SURROUNDING PINS ARE NOT USED FOR POWER, THEN EACH PIN CAN CARRY 3 AMPS. IF THE SURROUNDING PINS ARE USED FOR POWER, THEN EACH PIN CAN CARRY 1 AMP. WHEN THE SURROUNDING PINS ARE USED ONLY FOR LOW SPEED SIGNALS, THEN THE EVEN NUMBERED "C" ROW PINS CAN ALSO BE USED FOR LOW SPEED SIGNALS.
- 13. AFTER INSERTION INTO CIRCUIT BOARD WITH QUALIFIED TOOL.
- 14. THE PRODUCTS WHERE THE PART NUMBER ENDS IN LF MEET THE EUROPEAN DIRECTIVES AND OTHER COUNTRY REGULATIONS AS DESCRIBED IN GS-22-008.

ALL PRODUCTS WILL WITHSTAND EXPOSURE TO 260°C FOR 60 SECONDS IN A CONVECTION, INFRA-RED OR VAPOR PHASE REFLOW OVEN.

- 15. FOR LEAD FREE PART NUMBERS, ADD AN "LF" SUFFIX. EXAMPLE: 59566-X001LF
- 16. EQUIVALENT PRECIOUS METAL PLATINGS MAY BE SUBSTITUTED.

- 8. CURRENT RATING : 1 AMP PER PIN
- 9. TEMPERATURE RANGE : -55°C TO +105°C
- 10. P/N 59566-XXXXLF



mat'l code SEE TABLE				tolerances unless otherwise specified		CUSTOMER	FCj www.fciconnect.com	
ltr	ecn no.	dr	date	linear	0.X ±0.3	COPY	title	
M					0.XX ±0.13	projection	VERTICAL SIGNAL HDR 5 ROW	
				angles	.XXX ±.051		P.F. 30 POS. SELECT LOAD STD.	
				dr	0° ±2°		product family	METRAL 4000
				enr	C. DAILY 2002-01-15	scale	size	dwg no
				chr	J. VOLSTROF 2001-10-31	1:1	A	59566
				appd	J. VOLSTROF 2002-01-15			code
sheet index	revision sheet							213
								sheet 3

This document is the property of and embodies CONFIDENTIAL and PROPRIETARY information of FCj. No part of the information shown on this document may be used in any way or disclosed to others without the written consent of FCj. Copyright FCj.

SELECT LOAD PATTERNS							
METRAL P/N	ROW	PIN CODE					
		1	2	3	4	5	6
59566-X001 SEE NOTE 15 LEAD FREE OPTION	E	02	02	02	02	02	02
	D	02	02	02	02	02	02
	C	04	02	04	02	04	03
	B	02	02	02	02	02	02
	A	02	02	02	02	02	02
	GND	02	02	02	02	02	02
59566-X002 SEE NOTE 15 LEAD FREE OPTION	E	03	03	03	03	03	03
	D	02	03	03	03	03	02
	C	04	04	04	04	04	04
	B	03	03	03	03	03	03
	A	03	03	03	03	03	03
	GND	02	02	02	02	02	02
59566-X003 SEE NOTE 15 LEAD FREE OPTION	E	04	02	02	02	02	02
	D	04	02	02	02	02	02
	C	04	02	02	02	02	02
	B	04	02	02	02	02	02
	A	04	02	02	02	02	02
	GND	-	-	-	-	-	-
59566-X004 SEE NOTE 15 LEAD FREE OPTION	E	04	02	02	02	02	02
	D	04	02	02	02	02	02
	C	04	02	02	02	02	02
	B	04	02	02	02	02	02
	A	04	02	02	02	02	02
	GND	02	02	02	02	02	02
59566-X005 SEE NOTE 15 LEAD FREE OPTION	E	02	02	02	02	02	02
	D	02	02	02	02	02	02
	C	02	02	02	02	02	02
	B	02	02	02	02	02	02
	A	02	02	02	02	02	02
	GND	-	02	02	02	02	-
59566-X006 SEE NOTE 15 LEAD FREE OPTION	E	03	02	02	02	02	02
	D	03	02	02	02	02	02
	C	03	02	02	02	02	02
	B	03	02	02	02	02	02
	A	03	02	02	02	02	02
	GND	-	02	02	02	02	-

SELECT LOAD PATTERNS							
METRAL P/N	ROW	PIN CODE					
		1	2	3	4	5	6
59566-X007 SEE NOTE 15 LEAD FREE OPTION	E	02	02	02	02	02	02
	D	02	02	02	02	02	02
	C	04	02	02	02	02	02
	B	02	02	02	02	02	02
	A	02	02	02	02	02	02
	GND	-	02	02	02	02	-

PIN CODES	DIM A
01	5.00
02	5.75
03	6.50
04	7.25
*19	8.00

* CURRENTLY NOT AVAILABLE



This document is the property of and embodies CONFIDENTIAL and PROPRIETARY information of FCI. No part of the information shown on this document may be used in any way or disclosed to others without the written consent of FCI. Copyright FCI.

mat'l code		SEE TABLE		tolerances unless otherwise specified		CUSTOMER		www.fciconnect.com	
ltr	ecn no.	dr	date	linear	0.X ±0.3	COPY		title VERTICAL SIGNAL HDR 5 ROW P.F. 30 POS. SELECT LOAD STD.	
M					0.XX ±0.13	projection			
					.XXX ±.051				
				angles	0° ±2°	product family METRAL 4000 code		213	
				dr	C. DAILY 2002-01-15	size		sheet	
				engr	J. VOLSTROF 2001-10-31	dwg no		4	
				chr	J. VOLSTROF 2002-01-15	A		59566	
				appd	J. VOLSTROF 2002-01-15	scale 1:1			
sheet index	revision sheet								



Компания «ЭлектроПласт» предлагает заключение долгосрочных отношений при поставках импортных электронных компонентов на взаимовыгодных условиях!

Наши преимущества:

- Оперативные поставки широкого спектра электронных компонентов отечественного и импортного производства напрямую от производителей и с крупнейших мировых складов;
- Поставка более 17-ти миллионов наименований электронных компонентов;
- Поставка сложных, дефицитных, либо снятых с производства позиций;
- Оперативные сроки поставки под заказ (от 5 рабочих дней);
- Экспресс доставка в любую точку России;
- Техническая поддержка проекта, помощь в подборе аналогов, поставка прототипов;
- Система менеджмента качества сертифицирована по Международному стандарту ISO 9001;
- Лицензия ФСБ на осуществление работ с использованием сведений, составляющих государственную тайну;
- Поставка специализированных компонентов (Xilinx, Altera, Analog Devices, Intersil, Interpoint, Microsemi, Aeroflex, Peregrine, Syfer, Eurofarad, Texas Instrument, Miteq, Cobham, E2V, MA-COM, Hittite, Mini-Circuits, General Dynamics и др.);

Помимо этого, одним из направлений компании «ЭлектроПласт» является направление «Источники питания». Мы предлагаем Вам помощь Конструкторского отдела:

- Подбор оптимального решения, техническое обоснование при выборе компонента;
- Подбор аналогов;
- Консультации по применению компонента;
- Поставка образцов и прототипов;
- Техническая поддержка проекта;
- Защита от снятия компонента с производства.



Как с нами связаться

Телефон: 8 (812) 309 58 32 (многоканальный)

Факс: 8 (812) 320-02-42

Электронная почта: org@eplast1.ru

Адрес: 198099, г. Санкт-Петербург, ул. Калинина, дом 2, корпус 4, литера А.