

PLEASE CHECK WWW.MOLEX.COM FOR LATEST PART INFORMATION

Part Number: [0850131768](#)
Status: **Active**
Overview: [din_41612](#)
Description: 2.54mm (.100") Pitch DIN 41612 Header, Style R/2 Reverse, 1µm (40µ") Selective Gold (Au) ,48 Circuits

Documents:

[3D Model](#) [RoHS Certificate of Compliance \(PDF\)](#)
[Drawing \(PDF\)](#)

Agency Certification

CSA LR19980
 UL E29179

General

Product Family Backplane Connectors
 Series [85013](#)
 Application Backplane
 Component Type PCB Header
 Overview [din_41612](#)
 Product Name IEC 603-2/DIN 41612
 Style R/2

Physical

Circuits (Loaded) 48
 Circuits (maximum) 48
 Circuits Detail Rows A, B, & C
 Durability (mating cycles max) 500
 Flammability 94V-0
 Guide to Mating Part No
 Keying to Mating Part Yes
 Number of Columns 16
 Number of Pairs Open Pin Field
 Number of Rows 3
 Orientation Vertical
 PC Tail Length (in) 0.177 In
 PC Tail Length (mm) 4.50 mm
 PCB Locator No
 PCB Retention Yes
 PCB Thickness Recommended (in) 0.062 In
 PCB Thickness Recommended (mm) 1.60 mm
 Packaging Type Bag
 Pitch - Mating Interface (in) 0.100 In
 Pitch - Mating Interface (mm) 2.54 mm
 Pitch - Term. Interface (in) 0.100 In
 Pitch - Term. Interface (mm) 2.54 mm
 Surface Mount Compatible (SMC) No
 Temperature Range - Operating -55°C to +125°C

Electrical

Current - Maximum per Contact 1A
 Data Rate 622.0 Mbps
 Voltage - Maximum 1000V (RMS)

Material Info

Reference - Drawing Numbers

EU RoHS **China RoHS**

Compliance Status

Not Reviewed

REACH SVHC

Not Reviewed

Halogen-Free

Status

Not Reviewed

Need more information on product environmental compliance?

Email productcompliance@molex.com
 For a multiple part number RoHS Certificate of Compliance, [click here](#)

Please visit the [Contact Us](#) section for any non-product compliance questions.

Search Parts in this Series

[85013Series](#)

Mates With

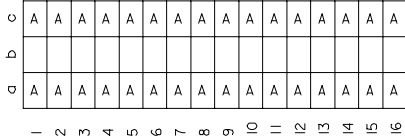
[85042 Backplane Header](#), [85052 Backplane Header](#)

This document was generated on 05/17/2010

PLEASE CHECK WWW.MOLEX.COM FOR LATEST PART INFORMATION

20 19 18 17 16 15 14 13 12 11 9 8 7 6 5 4 3 2 1

VIEW ON MATING SIDE



A = 32 STANDARD CONTACTS L = 2

MARKING	STANDARD
PERFORMANCE LEVEL	G/O = CONTACT AREA LEVEL 1 / TERMINATION TIN
FLUX PROOF	NO
FIXING CLIP	NO
DIMENSIONS	SD-85013-0002 SHT 1

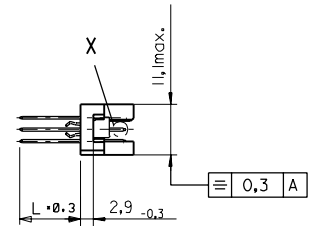
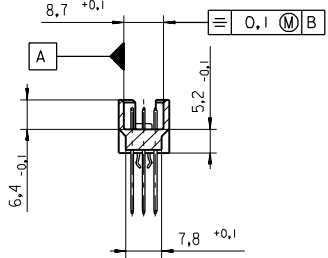
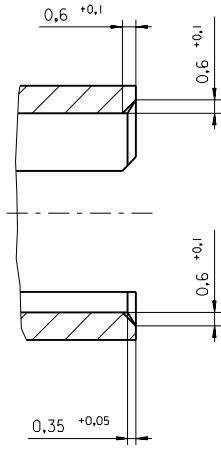
A	G/O	a1-16 c1-16
CONTACT SYMBOL	PERFORMANCE LEVEL	CONTACT POSITION NUMBER

EC NO. I 2004-XXXX DRAWN N.S. 31/03/04 CHK G.L. 31/03/04 APPR. L. 31/03/04	QUALITY SYMBOLS MAJOR CRITICAL	GENERAL TOLERANCES: (UNLESS SPECIFIED) mm INCH 4 PLACES ±0. ±. 3 PLACES ±0. ±. 2 PLACES ±0. ±. 1 PLACE ±0. ±.	SCALE DRAWN BY & DATE N.S. 31/03/04 CHECKED BY & DATE G.L. 31/03/04 APPROVED BY & DATE G.L. 31/03/04	DESIGN UNITS <input checked="" type="checkbox"/> MM <input type="checkbox"/> INCH THIRD ANGLE PROJECTION <input type="checkbox"/> 1st ANGLE <input checked="" type="checkbox"/> 2nd ANGLE	DIMENSIONS: <input type="checkbox"/> MM <input type="checkbox"/> INCH <input checked="" type="checkbox"/> INCH ONLY SHT 1 REV REVISE ON CAD ONLY	
	TITLE: 48 POS MALE CONNECTOR ACCORDING DIN 41612 STYLE R/2 CONTACTS ARRANGEMENT		CAD FILENAME: S850131768.S01 MATERIAL NO.: 85013-1768 DRAWING NO.: SD-85013-1768		SHEET NO. 1 OF 1 SIZE D	
	DRAFT WHERE APPLICABLE MUST REMAIN WITHIN DIMENSIONS		THIS DRAWING CONTAINS INFORMATION THAT IS PROPRIETARY TO MOLEX INCORPORATED AND SHOULD NOT BE USED WITHOUT WRITTEN PERMISSION.			
	MOLEX INCORPORATED					

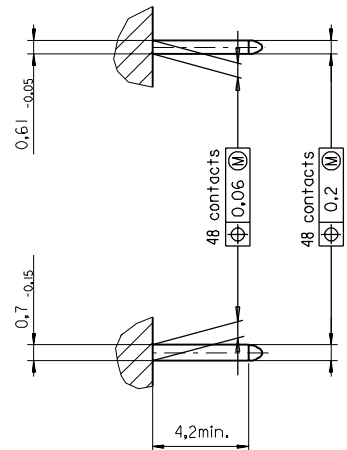
19 18 17 16 15 14 13 12 11 10 9 8 7 6 5 4 3 2 1

PART NO.
DWG. NO.

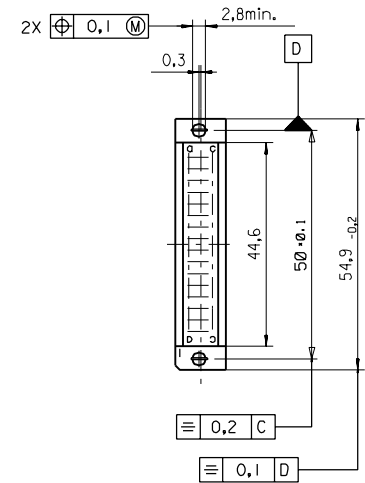
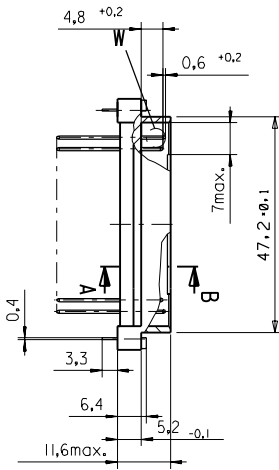
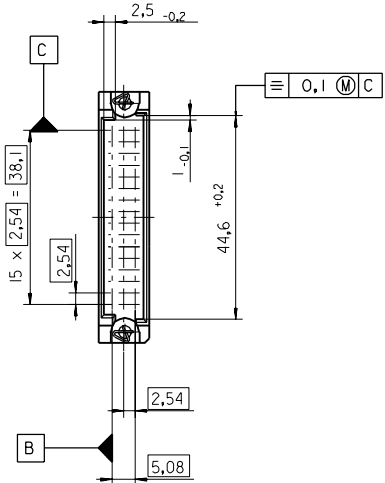
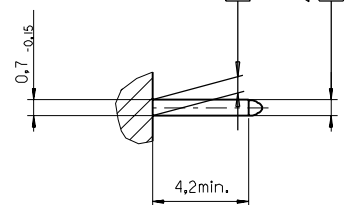
Section A - B
5:1



View X
5:1



View W
5:1



BI	first release see ECN No. 1887	LTR	FIRST ANGLE PROJECTION			REVISE ONLY ON CAD SYSTEM		SH.	REV.
			FOR PREVIOUS REVISIONS SEE MRI LIST	UNLESS OTHERWISE SPECIFIED TOLERANCES: ANGULAR ± 2°	DRWG BY SIGN Ca	CAD/CAM PROJECT NAME 85013000 821	THIS DRAWING CONTAINS INFORMATION THAT IS PROPRIETARY TO MOLEX INC. & SHOULD NOT BE USED WITHOUT WRITTEN PERMISSION		
			3 PLACE ± . ±	INCH	METRIC	CHK'D BY SIGN KN	TITLE 48 pos. Male connector acc. DIN 41612 style R/2 Dimensions		
			2 PLACE ± . ±			APP'D BY SIGN	SHEET NO. DATE 1 OF 95/06/08		
			1 PLACE ± . ±			SCALE	PART NO. DWG NO. SIZE SDA-85013-0002 B		
			DRAFT WHERE APPLICABLE MUST REMAIN WITHIN DIMENSIONS						
			DESIGN DIMENSION	<input checked="" type="checkbox"/> MM					
				<input type="checkbox"/> IN.					
			EQUIVALENT DIMENSION	<input type="checkbox"/> MM					
				<input type="checkbox"/> IN.					
			IF TWO DIMENSIONS ARE SHOWN THE UPPER IS THE DESIGN DIMENSION, LOWER IS SECONDARY						

VIEW ON MATING SIDE

∩	A	A	A	A	A	A	A	A	A	A	A	A	A	A	A	A	A	A	A
∞	A	A	A	A	A	A	A	A	A	A	A	A	A	A	A	A	A	A	A
◁	A	A	A	A	A	A	A	A	A	A	A	A	A	A	A	A	A	A	A

1 2 3 4 5 6 7 8 9 10 11 12 13 14 15 16 17 18 19 20 21 22 23 24 25 26 27 28 29 30 31 32 33 34 35 36 37 38 39 40 41 42 43 44 45 46 47 48 49 50 51 52 53 54 55 56 57 58 59 60 61 62 63 64 65 66 67 68 69 70 71 72 73 74 75 76 77 78 79 80 81 82 83 84 85 86 87 88 89 90 91 92 93 94 95 96 97 98 99 100

A = 48 STANDARD CONTACTS L=4,5

Marking	Standard
Performance level	G1/0 = Contact area perform. level / Termination tin
Flux proof	no
Fixing clip	no
Dimensions	SDA-85013-0002 sht.1
Technical Data	PS-85013-0001

A	G1/0	a1-16	b1-16	c1-16
Contact symbol	Perform. level	Contact position number		

ECN No. MC1998-2626 first release	REVISIONS		FOR PREVIOUS REVISIONS SEE MRI LIST	
	LTR	REVISIONS		
UNLESS OTHERWISE SPECIFIED TOLERANCES: ANGULAR ± 2° INCH METRIC		DRWG BY	SIGN	
3 PLACE ± .		Ca		
2 PLACE ± .		CHK'D BY	SIGN	
1 PLACE ± .		KN		
DRAFT WHERE APPLICABLE MUST REMAIN WITHIN DIMENSIONS		APP'D BY	SIGN	
DESIGN DIMENSION <input type="checkbox"/> MM <input type="checkbox"/> IN.		JB		
EQUIVALENT DIMENSION <input type="checkbox"/> MM <input type="checkbox"/> IN.		SCALE		
IF TWO DIMENSIONS ARE SHOWN, THE UPPER IS THE DESIGN DIMENSION, LOWER IS SECONDARY				
REVISE ONLY ON CAD SYSTEM		SH. REV.		
CAD/CAM PROJECT NAME		THIS DRAWING CONTAINS INFORMATION THAT IS PROPRIETARY TO MOLEX INC. & SHOULD NOT BE USED WITHOUT WRITTEN PERMISSION		
s8501317		s61		
TITLE		SHEET NO.		DATE
48 pos. Male connector acc. DIN 41612 style R/2 contacts arrangement		1 OF 1		97/10/24
MOLEX®		MOLEX EUROPE		
PART NO.		DWG NO.		SIZE
85013-1768		SDA-85013-1768		A



Компания «ЭлектроПласт» предлагает заключение долгосрочных отношений при поставках импортных электронных компонентов на взаимовыгодных условиях!

Наши преимущества:

- Оперативные поставки широкого спектра электронных компонентов отечественного и импортного производства напрямую от производителей и с крупнейших мировых складов;
- Поставка более 17-ти миллионов наименований электронных компонентов;
- Поставка сложных, дефицитных, либо снятых с производства позиций;
- Оперативные сроки поставки под заказ (от 5 рабочих дней);
- Экспресс доставка в любую точку России;
- Техническая поддержка проекта, помощь в подборе аналогов, поставка прототипов;
- Система менеджмента качества сертифицирована по Международному стандарту ISO 9001;
- Лицензия ФСБ на осуществление работ с использованием сведений, составляющих государственную тайну;
- Поставка специализированных компонентов (Xilinx, Altera, Analog Devices, Intersil, Interpoint, Microsemi, Aeroflex, Peregrine, Syfer, Eurofarad, Texas Instrument, Miteq, Cobham, E2V, MA-COM, Hittite, Mini-Circuits, General Dynamics и др.);

Помимо этого, одним из направлений компании «ЭлектроПласт» является направление «Источники питания». Мы предлагаем Вам помощь Конструкторского отдела:

- Подбор оптимального решения, техническое обоснование при выборе компонента;
- Подбор аналогов;
- Консультации по применению компонента;
- Поставка образцов и прототипов;
- Техническая поддержка проекта;
- Защита от снятия компонента с производства.



Как с нами связаться

Телефон: 8 (812) 309 58 32 (многоканальный)

Факс: 8 (812) 320-02-42

Электронная почта: org@eplast1.ru

Адрес: 198099, г. Санкт-Петербург, ул. Калинина, дом 2, корпус 4, литера А.