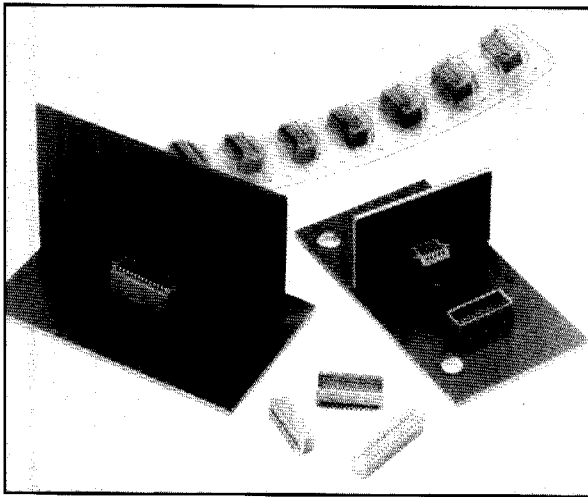


# IL-WX SERIES CONNECTORS

0.8mm (.031") Contact Spacing, PCB-to-PCB SMT Connectors



## FEATURES

- Low profile, high-density contact arrangement
- Vertical and parallel connection of boards
- High heat resistant glass-filled PPS insulator
- Polarization boss/hold-downs
- Embossed tape: Available in embossed tape for automatic SMT mounting. Please consult JAE for further information



IL-WX Series connectors are designed for board-to-board applications. Designed with extremely small spacing, centers are on 0.8mm (.031") with double row contact arrangement. The connector features SMT contact configuration for automatic mounting. It is intended for use in portable appliances where size reduction is important. Applications include video cameras and OA equipment.

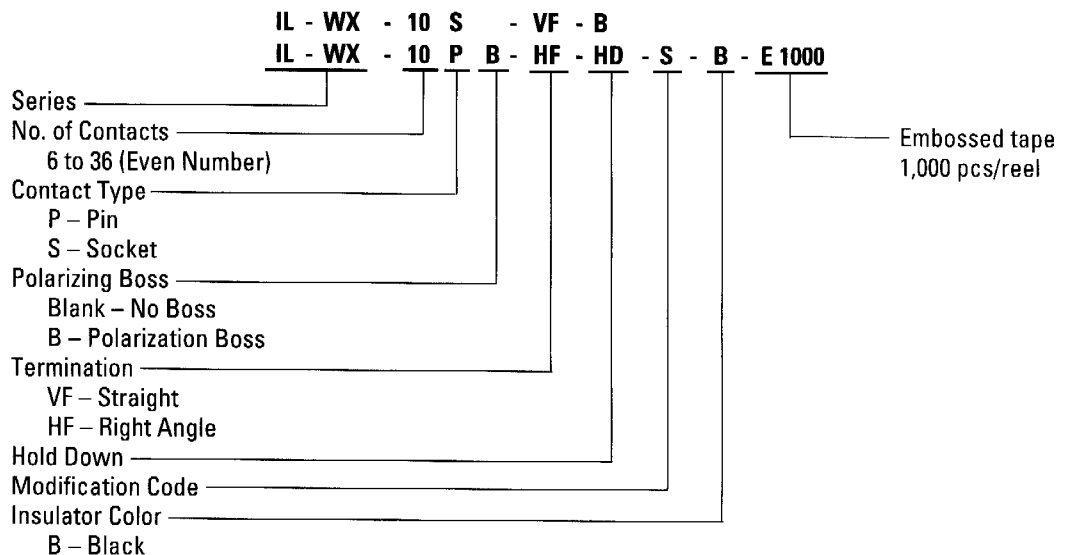
## GENERAL SPECIFICATIONS

|                                 |                                 |
|---------------------------------|---------------------------------|
| Number of Contacts              | 6 to 36 (even numbers only)     |
| Contact Spacing                 | 0.8mm (.031"), double row       |
| Current Rating                  | 0.5 Amps.                       |
| Dielectric Withstanding Voltage | 500 VAC r.m.s. (for one minute) |
| Insulation Resistance           | 100 megohms min.                |
| Contact Resistance              | 25 milliohms max.               |
| Operating Temperature Range     | -40°C to +85°C                  |

## MATERIALS AND FINISHES

| Description    | Materials/Finishes                |
|----------------|-----------------------------------|
| Insulator      | Glass-filled PPS (UL94V-0, Black) |
| Pin Contact    | Copper alloy/Tin Plating          |
| Socket Contact | Phosphor Bronze/Tin Plating       |
| Hold-down      | Phosphor Bronze/Tin Plating       |

## ORDERING INFORMATION



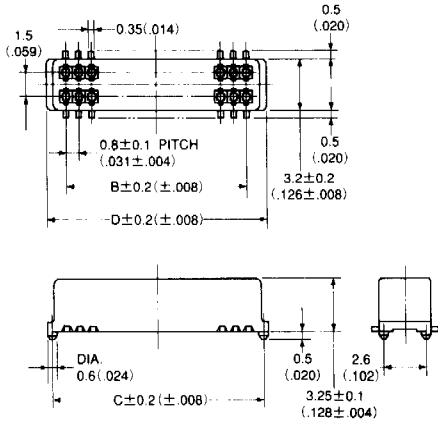
Dimensions and specifications subject to change without notice.



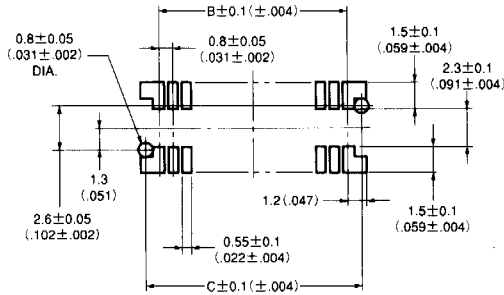
# IL-WX SERIES CONNECTORS

0.8mm (.031") Contact Spacing, PCB-to-PCB SMT Connectors

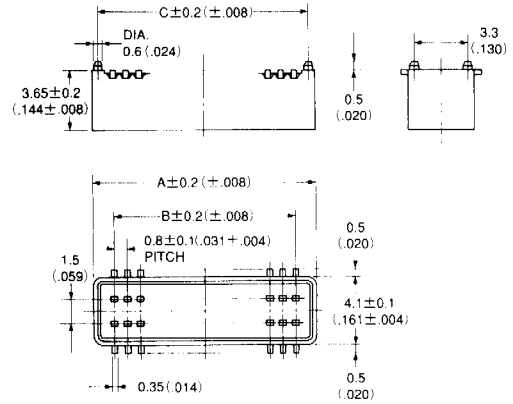
## SOCKET



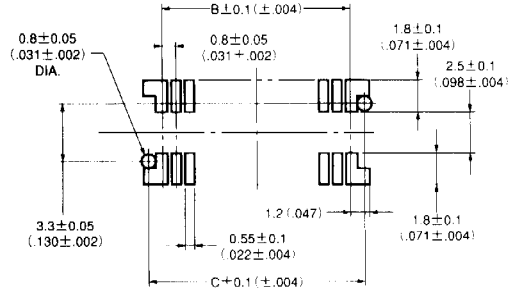
PCB Layout (Ref.)



## STRAIGHT PIN HEADER



PCB Layout (Ref.)



| No. of Contacts | Part Number        |                     | A           | B           | C           | D           |
|-----------------|--------------------|---------------------|-------------|-------------|-------------|-------------|
|                 | Socket             | Straight Pin Header |             |             |             |             |
| 6               | IL-WX- 6S*-VF-B    | IL-WX- 6PB-VF-B     | 4.2 (.165)  | 1.6 (.063)  | 3.4 (.134)  | 4.0 (.157)  |
| 8               | IL-WX- 8S*-VF-B    | IL-WX- 8PB-VF-B     | 5.0 (.197)  | 2.4 (.094)  | 4.2 (.165)  | 4.8 (.189)  |
| 10              | IL-WX- 10S*-VF-B   | † IL-WX- 10PB-VF-B  | 5.8 (.228)  | 3.2 (.126)  | 5.0 (.197)  | 5.6 (.220)  |
| 12              | IL-WX- 12S*-VF-B   | IL-WX- 12PB-VF-B    | 6.6 (.260)  | 4.0 (.157)  | 5.8 (.228)  | 6.4 (.252)  |
| 14              | IL-WX- 14S*-VF-B   | IL-WX- 14PB-VF-B    | 7.4 (.291)  | 4.8 (.189)  | 6.6 (.260)  | 7.2 (.283)  |
| 16              | IL-WX- 16S*-VF-B   | IL-WX- 16PB-VF-B    | 8.2 (.323)  | 5.6 (.220)  | 7.4 (.291)  | 8.0 (.315)  |
| 18              | IL-WX- 18S*-VF-B   | IL-WX- 18PB-VF-B    | 9.0 (.354)  | 6.4 (.252)  | 8.2 (.323)  | 8.8 (.346)  |
| 20              | IL-WX- 20S*-VF-B   | † IL-WX- 20PB-VF-B  | 9.8 (.386)  | 7.2 (.283)  | 9.0 (.354)  | 9.6 (.378)  |
| 22              | IL-WX- 22S*-VF-B   | IL-WX- 22PB-VF-B    | 10.6 (.417) | 8.0 (.315)  | 9.8 (.386)  | 10.4 (.409) |
| 24              | IL-WX- 24S*-VF-B   | IL-WX- 24PB-VF-B    | 11.4 (.449) | 8.8 (.346)  | 10.6 (.417) | 11.2 (.441) |
| 26              | † IL-WX- 26S*-VF-B | † IL-WX- 26PB-VF-B  | 12.2 (.480) | 9.6 (.378)  | 11.4 (.449) | 12.0 (.472) |
| 28              | † IL-WX- 28S*-VF-B | † IL-WX- 28PB-VF-B  | 13.0 (.512) | 10.4 (.409) | 12.2 (.480) | 12.8 (.504) |
| 30              | IL-WX- 30S*-VF-B   | IL-WX- 30PB-VF-B    | 13.8 (.543) | 11.2 (.441) | 13.0 (.512) | 13.6 (.535) |
| 32              | † IL-WX- 32S*-VF-B | IL-WX- 32PB-VF-B    | 14.6 (.575) | 12.0 (.472) | 13.8 (.543) | 14.4 (.567) |
| 34              | IL-WX- 34S*-VF-B   | IL-WX- 34PB-VF-B    | 15.4 (.606) | 12.8 (.504) | 14.6 (.575) | 15.2 (.598) |
| 36              | IL-WX- 36S*-VF-B   | IL-WX- 36PB-VF-B    | 16.2 (.638) | 13.6 (.535) | 15.4 (.606) | 16.0 (.630) |

Note 1: \* Add the polarization boss code. B—With boss, Blank—No boss

Note 2: Supplied in embossed-tape (Connector 1,000pcs./one reel). Add "-E1000" at the end of Part Number for an order entry.

Example - IL-WX-10PB-VF-B-E1000 †: Please consult JAE for emboss-tape availability.

Dimensions in mm (inches).

|                |              |            |             |           |             |            |               |
|----------------|--------------|------------|-------------|-----------|-------------|------------|---------------|
| Hong Kong      | Japan        | Korea      | Philippines | Singapore | Taiwan      | Europe     | United States |
| Tel: 2723-7782 | 03-3780-2715 | 2-551-8959 | 46-433-0276 | 748-1332  | 02-555-9711 | 1276-21717 | 949-753-2600  |
| Fax: 2723-9028 | 03-3780-2883 | 2-551-8958 | 46-433-0287 | 748-2920  | 02-556-5424 | 1276-66165 | 949-753-2699  |



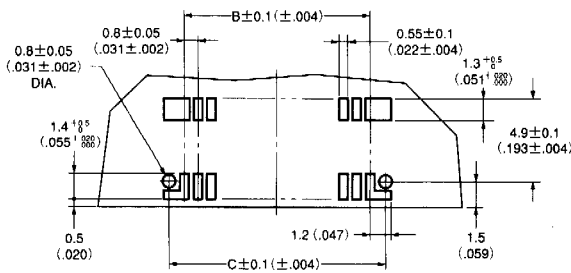
# IL-WX SERIES CONNECTORS

0.8mm (.031") Contact Spacing, PCB-to-PCB SMT Connectors

## RIGHT ANGLE PIN HEADER



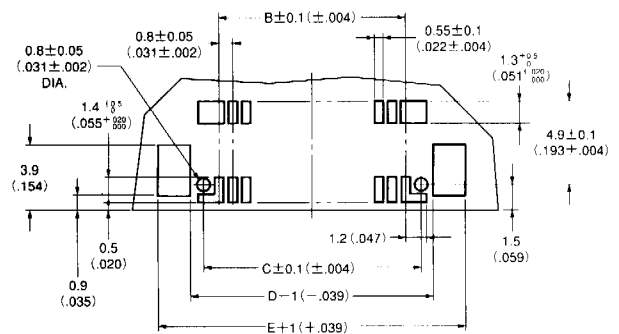
PCB Layout (Ref.)



## With Hold-Downs Type



PCB Layout (Ref.)



| No. of Contacts | Part Number        |                        | A           | B           | C           | D           | E           |
|-----------------|--------------------|------------------------|-------------|-------------|-------------|-------------|-------------|
|                 | Without Hold-Down  | With Hold-Down         |             |             |             |             |             |
| 6               | IL-WX- 6P*-HF-B    | IL-WX- 6P*-HF-HD-S-B   | 4.2 (.165)  | 1.6 (.063)  | 3.4 (.134)  | 5.7 (.224)  | 7.8 (.307)  |
| 8               | IL-WX- 8P*-HF-B    | IL-WX- 8P*-HF-HD-S-B   | 5.0 (.197)  | 2.4 (.094)  | 4.2 (.165)  | 6.5 (.256)  | 8.6 (.339)  |
| 10              | IL-WX- 10P*-HF-B   | IL-WX-10P*-HF-HD-S-B   | 5.8 (.228)  | 3.2 (.126)  | 5.0 (.197)  | 7.3 (.287)  | 9.4 (.370)  |
| 12              | † IL-WX- 12P*-HF-B | IL-WX-12P*-HF-HD-S-B   | 6.6 (.260)  | 4.0 (.157)  | 5.8 (.228)  | 8.1 (.319)  | 10.2 (.402) |
| 14              | IL-WX- 14P*-HF-B   | IL-WX-14P*-HF-HD-S-B   | 7.4 (.291)  | 4.8 (.189)  | 6.6 (.260)  | 8.9 (.350)  | 11.0 (.433) |
| 16              | IL-WX- 16P*-HF-B   | † IL-WX-16P*-HF-HD-S-B | 8.2 (.323)  | 5.6 (.220)  | 7.4 (.291)  | 9.7 (.382)  | 11.8 (.465) |
| 18              | IL-WX- 18P*-HF-B   | † IL-WX-18P*-HF-HD-S-B | 9.0 (.354)  | 6.4 (.252)  | 8.2 (.323)  | 10.5 (.413) | 12.6 (.496) |
| 20              | IL-WX- 20P*-HF-B   | IL-WX-20P*-HF-HD-S-B   | 9.8 (.386)  | 7.2 (.283)  | 9.0 (.354)  | 11.3 (.445) | 13.4 (.528) |
| 22              | IL-WX- 22P*-HF-B   | IL-WX-22P*-HF-HD-S-B   | 10.6 (.417) | 8.0 (.315)  | 9.8 (.386)  | 12.1 (.476) | 14.2 (.559) |
| 24              | IL-WX- 24P*-HF-B   | IL-WX-24P*-HF-HD-S-B   | 11.4 (.449) | 8.8 (.346)  | 10.6 (.417) | 12.9 (.508) | 15.0 (.591) |
| 26              | † IL-WX- 26P*-HF-B | † IL-WX-26P*-HF-HD-S-B | 12.2 (.480) | 9.6 (.378)  | 11.4 (.449) | 13.7 (.539) | 15.8 (.622) |
| 28              | † IL-WX- 28P*-HF-B | † IL-WX-28P*-HF-HD-S-B | 13.0 (.512) | 10.4 (.409) | 12.2 (.480) | 14.5 (.571) | 16.6 (.654) |
| 30              | † IL-WX- 30P*-HF-B | IL-WX-30P*-HF-HD-S-B   | 13.8 (.543) | 11.2 (.441) | 13.0 (.512) | 15.3 (.602) | 17.4 (.685) |
| 32              | † IL-WX- 32P*-HF-B | † IL-WX-32P*-HF-HD-S-B | 14.6 (.575) | 12.0 (.472) | 13.8 (.543) | 16.1 (.634) | 18.2 (.717) |
| 34              | IL-WX- 34P*-HF-B   | IL-WX-34P*-HF-HD-S-B   | 15.4 (.606) | 12.8 (.504) | 14.6 (.575) | 16.9 (.665) | 19.0 (.748) |
| 36              | IL-WX- 36P*-HF-B   | † IL-WX-36P*-HF-HD-S-B | 16.2 (.638) | 13.6 (.535) | 15.4 (.606) | 17.7 (.697) | 19.8 (.780) |

Note 1: \* Add the polarizing boss code. B—With boss, Blank—No boss

Note 2: Supplied in embossed-tape (Connector 1,000pcs./one reel). Add "-E1000" at the end of Part Number for an order entry.

Example - IL-WX-10PB-HF-B-E1000 †: Please consult JAE for emboss-tape availability.

Dimensions in mm (inches).



Hong Kong  
Tel: 2723-7782  
Fax: 2723-9028

Japan  
03-3780-2715  
03-3780-2883

Korea  
2-551-8959  
2-551-8958

Philippines  
46-433-0276  
46-433-0287

Singapore  
748-1332  
748-2920

Taiwan  
02-555-9711  
02-556-5424

Europe  
1276-21717  
1276-66165

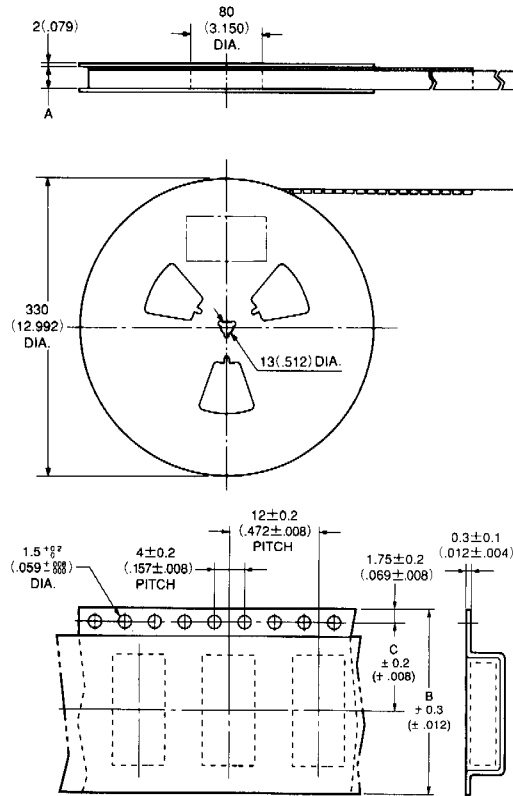
United States  
949-753-2600  
949-753-2699

# IL-WX SERIES CONNECTORS

0.8mm (.031") Contact Spacing, PCB-to-PCB SMT Connectors

## EMBOSSED TAPE (REF.)

Please consult JAE for embossed tape specification.



| Part Number<br>(1,000 pcs./reel) | No. of<br>Contacts | A             | B             | C              |
|----------------------------------|--------------------|---------------|---------------|----------------|
| IL-WX-*S*-VF-B-E1000             | 6 to 20            | 18<br>(.709)  | 16<br>(.630)  | 7.5<br>(.295)  |
| IL-WX-*P*-VF-B-E1000             |                    |               |               |                |
| IL-WX-*P*-HF-B-E1000             | 22 to 36           | 26<br>(1.042) | 24<br>(.945)  | 11.5<br>(.453) |
|                                  | 6 to 12            | 18<br>(.709)  | 16<br>(.630)  | 7.5<br>(.295)  |
|                                  | 14 to 32           | 26<br>(1.042) | 24<br>(.945)  | 11.5<br>(.453) |
| IL-WX-*P*-HF-HD-S-B-E1000        | 34, 36<br>(Note)   | 34<br>(1.339) | 32<br>(1.260) | 14.2<br>(.559) |

Note: Pilot holes are provided on both sides. Please consult JAE.

Dimensions in mm (inches).

Hong Kong  
Tel: 2723-7782  
Fax: 2723-9028

Japan  
03-3780-2715  
03-3780-2883

Korea  
2-551-8959  
2-551-8958

Philippines  
46-433-0276  
46-433-0287

Singapore  
748-1332  
748-2920

Taiwan  
02-555-9711  
02-556-5424

Europe  
1276-21717  
1276-66165

United States  
949-753-2600  
949-753-2699





Компания «ЭлектроПласт» предлагает заключение долгосрочных отношений при поставках импортных электронных компонентов на взаимовыгодных условиях!

Наши преимущества:

- Оперативные поставки широкого спектра электронных компонентов отечественного и импортного производства напрямую от производителей и с крупнейших мировых складов;
- Поставка более 17-ти миллионов наименований электронных компонентов;
- Поставка сложных, дефицитных, либо снятых с производства позиций;
- Оперативные сроки поставки под заказ (от 5 рабочих дней);
- Экспресс доставка в любую точку России;
- Техническая поддержка проекта, помощь в подборе аналогов, поставка прототипов;
- Система менеджмента качества сертифицирована по Международному стандарту ISO 9001;
- Лицензия ФСБ на осуществление работ с использованием сведений, составляющих государственную тайну;
- Поставка специализированных компонентов (Xilinx, Altera, Analog Devices, Intersil, Interpoint, Microsemi, Aeroflex, Peregrine, Syfer, Eurofarad, Texas Instrument, Miteq, Cobham, E2V, MA-COM, Hittite, Mini-Circuits, General Dynamics и др.);

Помимо этого, одним из направлений компании «ЭлектроПласт» является направление «Источники питания». Мы предлагаем Вам помощь Конструкторского отдела:

- Подбор оптимального решения, техническое обоснование при выборе компонента;
- Подбор аналогов;
- Консультации по применению компонента;
- Поставка образцов и прототипов;
- Техническая поддержка проекта;
- Защита от снятия компонента с производства.



#### Как с нами связаться

**Телефон:** 8 (812) 309 58 32 (многоканальный)

**Факс:** 8 (812) 320-02-42

**Электронная почта:** [org@eplast1.ru](mailto:org@eplast1.ru)

**Адрес:** 198099, г. Санкт-Петербург, ул. Калинина, дом 2, корпус 4, литера А.