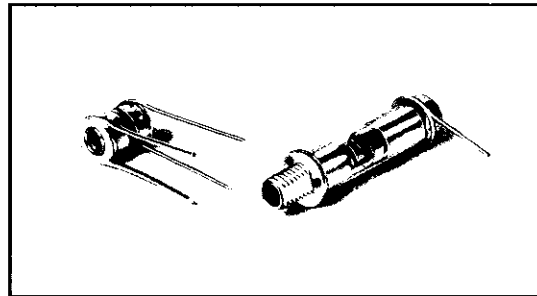


Sprague-Goodman

ENGINEERING BULLETIN
SG-205B
Supercedes SG-205A

PISTONCAP® PRECISION TRIMMER CAPACITORS



Sprague-Goodman Electronics, Inc.

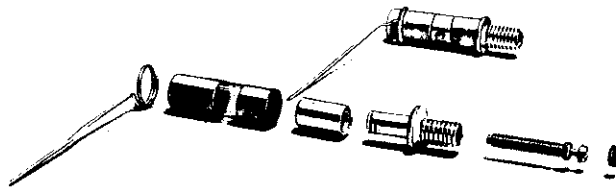
1700 SHAMES DRIVE, WESTBURY, NY 11590

TEL: 516-334-8700 • FAX: 516-334-8771

PRECISION ADJUST MECHANISMS

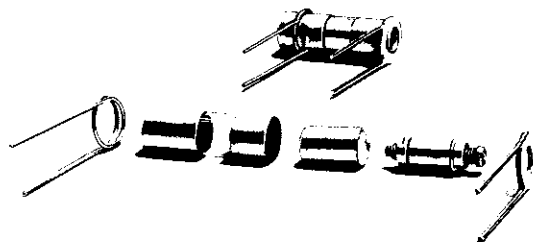
All Sprague-Goodman Pistoncap Trimmer Capacitors described in U. S. Patent No. 3,840,786 utilize a simplified and highly reliable adjust mechanism. There are two slots 180° apart, more than half way through the bushing threads. Following slotting, the bushing is compressed, causing the slotted end to behave as a spring. The threaded segments of the bushing are biased axially, pressing the bushing threads firmly into flank-to-flank engagement with the screw threads. This eliminates all backlash and provides the required smooth and uniform adjust torque. Note that no extra threaded washers, springs, etc. are required. Fewer parts mean greater reliability.

JFD PISTONCAP models, now manufactured by Sprague-Goodman, include the differential and split-stator types shown on page 11 of this bulletin. High Voltage and High RF Voltage quartz dielectric models are on page 15.

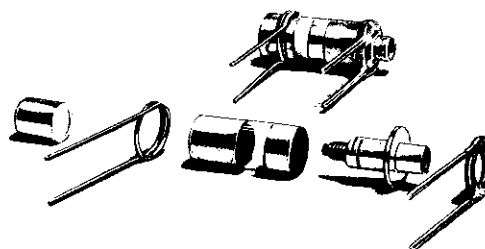


FORM FACTOR R, PANEL MOUNTING
SEALED CONSTRUCTION

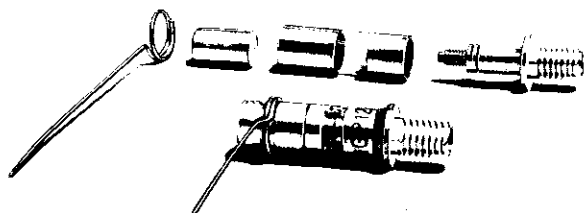
COLLARED BUSHING STYLES (Form Factors N and V). Certain applications require that the head of the adjusting screw remain wholly within the bushing over the entire range of adjustment. To meet this need, collared bushing types, both sealed and unsealed, have been added to the broad line of printed circuit mounting styles. All panel mounting styles, other than the 'W' series, are also designed for blind hole tuning.



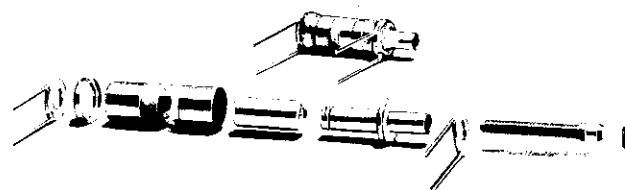
FORM FACTOR C, OPEN END



FORM FACTOR N, COLLARED BUSHING
OPEN END



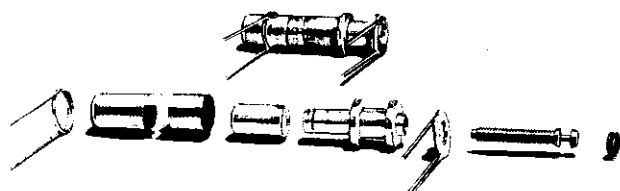
FORM FACTOR P, OPEN END



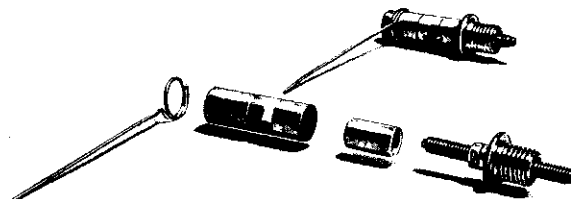
FORM FACTOR V, COLLARED BUSHING
SEALED CONSTRUCTION

SEALED TYPES. Sealed versions are available in both panel mounting and printed circuit mounting. The electrode end is sealed either by closing the end of the glass tube or by soldering on a turret cap. The adjust end is sealed by means of a multi-lobed seal. This seal provides twice as many lobes as an "O" ring and good sealing is provided with one-quarter of the gasket compression required for an "O" ring.

W STYLES. In some panel-mounting applications, a protruding adjust screw is required. In W series capacitors, the adjust screw protrudes from the mounting bushing for all positions of adjustment.



FORM FACTOR L, PRINTED CIRCUIT SEALED



FORM FACTOR W

THREE DIELECTRICS. Three dielectrics are available. The standard glass has a dielectric constant of about 6.7 and a dissipation factor of about 0.0012. High-range glass achieves the unusual combination of higher dielectric constant but lower dissipation factor of about 8.5 and about 0.008, respectively. Quartz dielectric has the much lower dielectric constant of about 3.7 but has extremely low loss, for a dissipation factor of about 0.0001.

Generally, the standard glass, which is least expensive, will suit most applications. For some applications where higher capacitance and/or greater Q is required for a given physical structure, high-range glass should be specified. For applications involving moderate r-f currents, fused quartz is used.

High-range glass trimmers will generally cost about 25% more than standard glass and quartz trimmers are about three times the price of standard glass trimmers. Expanded range types generally cost about 2.5 times the non-expanded range equivalents.

EXPANDED RANGE models are available in both panel mounting and printed circuit mounting styles,

sealed and unsealed. The electrode band is embedded within the wall of the glass tube, providing a thinner dielectric gap and, at the same time, keeping the overall wall thick enough for mechanical strength. This generally yields about three times the capacitance range for a given size compared with the standard Pistoncap Capacitors. This is accomplished by a laminating technique. An electrode band is metallized on the O.D. of a thin (0.005") glass tube and a slightly larger and heavier walled tube is then telescoped over it. The two tubes are then fused, providing the embedded structure. Additional metallization is then added at both ends to provide electrical and mechanical termination.



FORM FACTOR R, EXPANDED RANGE

MILITARY APPROVALS

Pistoncap Precision Trimmer Capacitors are approved to Military Specification MIL-C-14409D, Styles PC35, PC37, PC38, PC39, PC40, PC41, PC42, PC43, PC48, PC50, PC51, and PC 52 in all characteristics and values and are listed on the Qualified Products List (QPL) for this specification. In Canada, these capacitors have been approved by the Department of National Defense in accordance with the terms of the U.S.-Canada agreement for qualification

of products of non-resident manufacturers. In the United Kingdom, these capacitors have been approved by the Ministry of Defense (DCVD) in accordance with the provisions of STANAG 4093, while in West Germany they have been approved by the Bundesamt für Wehrtechnik und Beschaffung (BWB) for G-QPL in accordance with STANAG 4093.

PART NUMBERING SYSTEM



PRINTED CIRCUIT MOUNTING

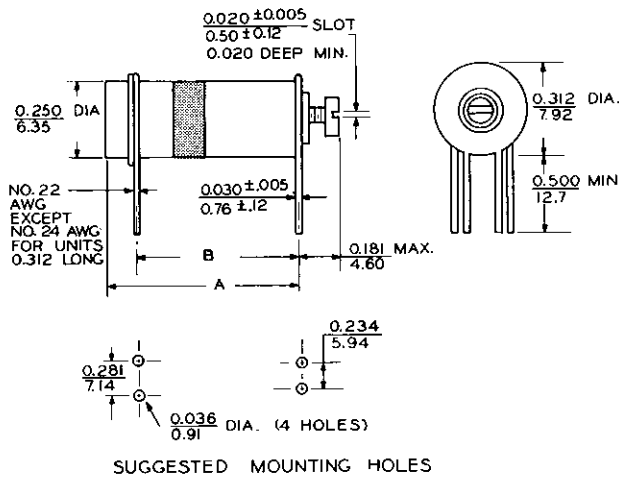


Figure 1A

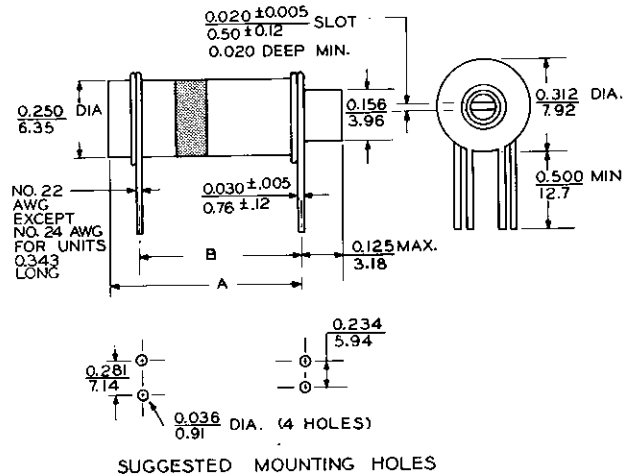


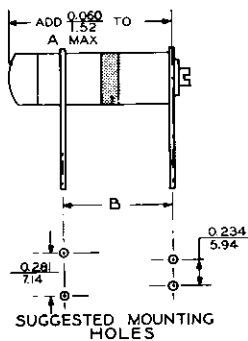
Figure 1B

| Capacitance Range in pF Min. Max. | D-C Voltage Rating (Volts) | Temp. Char. (See Table) | Minimum Quality Factor Q | OPEN END STYLE (Fig. 1A) | | | | COLLARED BUSHING STYLE (Fig. 1B) | | | |
|--------------------------------------|----------------------------|-------------------------|--------------------------|--------------------------|-----------------|---------------|-------------------------|----------------------------------|---------------|-------------------------|--|
| | | | | Model No. | Mil Designation | A Max. In. mm | B ± 0.031 (0.79) In. mm | Model No. | A Max. In. mm | B ± 0.031 (0.79) In. mm | |
| STANDARD GLASS DIELECTRIC | | | | | | | | | | | |
| 0.8 4.5 | 750 | J | 500 | GGC4R500 | *PC41J4R5 | 0.312 7.92 | 0.250 6.35 | GGN4R500 | 0.343 8.71 | 0.250 6.35 | |
| 0.8 8.5 | 750 | J | 500 | GGC8R500 | *PC41J8R5 | 0.562 14.27 | 0.438 11.13 | GGN8R500 | 0.593 15.06 | 0.438 11.13 | |
| 0.8 12.0 | 750 | H | 500 | GGC12000 | *PC41H120 | 0.766 19.46 | 0.625 15.88 | GGN12000 | 0.797 20.24 | 0.625 15.88 | |
| 0.8 18.0 | 750 | H | 500 | GGC18000 | *PC41H180 | 1.000 25.40 | 0.875 22.23 | GGN18000 | 1.031 26.19 | 0.875 22.23 | |
| 0.8 30.0 | 750 | H | 350 | GGC30000 | *PC41H300 | 1.609 40.87 | 1.375 34.93 | GGN30000 | 1.640 41.66 | 1.375 34.93 | |
| HI-RANGE GLASS DIELECTRIC | | | | | | | | | | | |
| 0.8 5.5 | 750 | J | 1000 | GHC5R500 | PC51J5R5 | 0.312 7.92 | 0.250 6.35 | GHN5R500 | 0.343 8.71 | 0.250 6.35 | |
| 0.8 11.0 | 750 | J | 900 | GHC11000 | PC51J110 | 0.562 14.27 | 0.438 11.13 | GHN11000 | 0.593 15.06 | 0.438 11.13 | |
| 0.8 16.0 | 750 | H | 800 | GHC16000 | PC51H160 | 0.766 19.46 | 0.625 15.88 | GHN16000 | 0.797 20.24 | 0.625 15.88 | |
| 0.8 23.0 | 750 | H | 700 | GHC23000 | PC51H230 | 1.000 25.40 | 0.875 22.23 | GHN23000 | 1.031 26.19 | 0.875 22.23 | |
| 0.8 38.0 | 750 | H | 500 | GHC38000 | PC51H380 | 1.609 40.87 | 1.375 34.93 | GHN38000 | 1.640 41.66 | 1.375 34.93 | |
| QUARTZ DIELECTRIC | | | | | | | | | | | |
| 0.6 1.8 | 750 | Q | 1500 | GQC1R800 | PC41Q1R8 | 0.312 7.92 | 0.250 6.35 | | | | |
| 0.6 5.5 | 750 | Q | 1500 | GQC5R500 | PC41Q5R5 | 0.562 14.27 | 0.438 11.13 | | | | |
| 0.6 9.5 | 750 | Q | 1500 | GQC9R500 | PC41Q9R5 | 1.000 25.40 | 0.875 22.23 | | | | |
| 0.8 16.0 | 750 | Q | 1500 | GQC16000 | PC41Q160 | 1.609 40.87 | 1.375 34.93 | | | | |

*These capacitors were listed in MIL-C-14409B but do not appear in MIL-C-14409D.

MODIFICATIONS

To specify the modifications shown below, replace the last two digits of the catalog number with the modification no. See page 3.



No. 06
CYLINDER END CLOSED



No. 16
BASE LUG, SINGLE LEAD



No. 17
BASE LUG, DOUBLE LEAD

EXPANDED RANGE PRINTED CIRCUIT MOUNTING



Figure 1C

Figure 1D

| Capacitance Range in pF Min. Max. | D-C Voltage Rating (Volts) | Temp. Char. (See Table) | Minimum Quality Factor Q | OPEN END STYLE (Fig. 1C) | | | | COLLARED BUSHING STYLE (Fig. 1D) | | | | | | |
|--------------------------------------|----------------------------|-------------------------|--------------------------|--------------------------|---------------|-------------------------|-----------|----------------------------------|-------------------------|----------|-------|-------|-------|-------|
| | | | | Model No. | A Max. In. mm | B ± 0.031 (0.79) In. mm | Model No. | A Max. In. mm | B ± 0.031 (0.79) In. mm | | | | | |
| STANDARD GLASS DIELECTRIC | | | | | | | | | | | | | | |
| 1.2 | 10.0 | 500 | Y | 500 | GSG008 | 0.277 | 7.04 | 0.250 | 6.35 | — | — | — | — | |
| 1.0 | 14.0 | 750 | G | 500 | GEC14000 | 0.391 | 9.93 | 0.328 | 8.33 | GEN14000 | 0.422 | 10.72 | 0.328 | 8.33 |
| 1.0 | 28.0 | 750 | G | 350 | GEC28000 | 0.625 | 15.88 | 0.500 | 12.70 | GEN28000 | 0.656 | 16.66 | 0.500 | 12.70 |
| 1.0 | 42.0 | 750 | G | 250 | GEC42000 | 0.843 | 21.41 | 0.734 | 18.64 | GEN42000 | 0.875 | 22.23 | 0.734 | 18.64 |
| 1.0 | 60.0 | 750 | G | 250 | GEC60000 | 1.093 | 27.76 | 0.906 | 23.01 | GEN60000 | 1.125 | 28.58 | 0.906 | 23.01 |
| 1.0 | 90.0 | 750 | G | 250 | GEC90000 | 1.688 | 42.88 | 1.516 | 38.51 | GEN90000 | 1.719 | 43.66 | 1.516 | 38.51 |
| HI-RANGE GLASS DIELECTRIC | | | | | | | | | | | | | | |
| 1.2 | 16.0 | 500 | Y | 750 | GSG009 | 0.323 | 8.20 | 0.250 | 6.35 | — | — | — | — | |
| 1.0 | 16.0 | 750 | G | 750 | GFC16000 | 0.391 | 9.93 | 0.328 | 8.33 | GFN16000 | 0.422 | 10.72 | 0.328 | 8.33 |
| 1.0 | 36.0 | 750 | G | 550 | GFC36000 | 0.625 | 15.88 | 0.500 | 12.70 | GFN36000 | 0.656 | 16.66 | 0.500 | 12.70 |
| 1.0 | 52.0 | 750 | G | 350 | GFC52000 | 0.843 | 21.41 | 0.734 | 18.64 | GFN52000 | 0.875 | 22.23 | 0.734 | 18.64 |
| 1.0 | 75.0 | 750 | G | 250 | GFC75000 | 1.093 | 27.76 | 0.906 | 23.01 | GFN75000 | 1.125 | 28.58 | 0.906 | 23.01 |
| 1.0 | 120.0 | 750 | G | 250 | GFC12100 | 1.688 | 42.88 | 1.516 | 38.51 | GFN12100 | 1.719 | 43.66 | 1.516 | 38.51 |

NOTE: Capacitance increases up to 0.5 pF on vertical modifications due to position of leads alongside capacitor body.



SEALED PRINTED CIRCUIT MOUNTING



Figure 2A

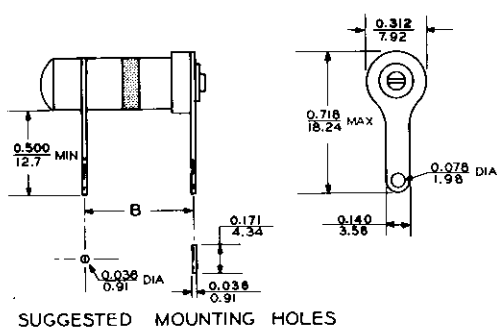


Figure 2B

| Capacitance Range in pF Min. Max. | D-C Voltage Rating (Volts) | Temp. Char. (See Table) | Minimum Quality Factor Q | STANDARD SEALED STYLE (Fig. 2A) | | | | COLLARED BUSHING SEALED STYLE (Fig. 2B) | | | | |
|--------------------------------------|----------------------------|-------------------------|--------------------------|---------------------------------|-----------------|---------------|-------------------------|---|---------------|-------------------------|-------------|-------------|
| | | | | Model No. | Mil Designation | A Max. In. mm | B ± 0.031 (0.79) In. mm | Model No. | A Max. In. mm | B ± 0.031 (0.79) In. mm | | |
| STANDARD GLASS DIELECTRIC | | | | | | | | | | | | |
| 0.8 4.5 | 750 | J | 500 | GGL4R500 | *PC42J4R5 | 0.656 16.66 | 0.500 12.70 | GGV4R500 | 0.422 10.72 | 0.250 6.35 | 0.656 16.66 | 0.500 12.70 |
| 0.8 8.5 | 1250 | J | 500 | GGL8R500 | *PC42J8R5 | 0.906 23.01 | 0.703 17.86 | GGV8R500 | 0.641 16.28 | 0.438 11.13 | 0.906 23.01 | 0.703 17.86 |
| 0.8 12.0 | 1250 | H | 500 | GGL12000 | *PC42H120 | 1.109 28.17 | 0.844 21.44 | GGV12000 | 0.859 21.82 | 0.625 15.88 | 1.109 28.17 | 0.844 21.44 |
| 0.8 18.0 | 1250 | H | 500 | GGL18000 | *PC42H180 | 1.359 34.52 | 1.016 25.81 | GGV18000 | 1.109 28.17 | 0.875 22.23 | 1.359 34.52 | 1.016 25.81 |
| 0.8 30.0 | 1250 | H | 350 | GGL30000 | *PC42H300 | 1.953 49.61 | 1.469 37.31 | GGV30000 | 1.703 43.26 | 1.375 34.93 | 1.953 49.61 | 1.469 37.31 |
| HI-RANGE GLASS DIELECTRIC | | | | | | | | | | | | |
| 0.8 5.5 | 750 | J | 1000 | GHL5R500 | PC52J5R5 | 0.656 16.66 | 0.500 12.70 | GHV5R500 | 0.422 10.72 | 0.250 6.35 | 0.656 16.66 | 0.500 12.70 |
| 0.8 11.0 | 1250 | J | 900 | GHL11000 | PC52J110 | 0.906 23.01 | 0.703 17.86 | GHV11000 | 0.641 16.28 | 0.438 11.13 | 0.906 23.01 | 0.703 17.86 |
| 0.8 16.0 | 1250 | H | 800 | GHL16000 | PC52H160 | 1.109 28.17 | 0.844 21.44 | GHV16000 | 0.859 21.82 | 0.625 15.88 | 1.109 28.17 | 0.844 21.44 |
| 0.8 23.0 | 1250 | H | 700 | GHL23000 | PC52H230 | 1.359 34.52 | 1.016 25.81 | GHV23000 | 1.109 28.17 | 0.875 22.23 | 1.359 34.52 | 1.016 25.81 |
| 0.8 38.0 | 1250 | H | 500 | GHL38000 | PC52H380 | 1.953 49.61 | 1.469 37.31 | GHV38000 | 1.703 43.26 | 1.375 34.93 | 1.953 49.61 | 1.469 37.31 |
| QUARTZ DIELECTRIC | | | | | | | | | | | | |
| 0.6 1.8 | 750 | Q | 1500 | GQL1R800 | PC42Q1R8 | 0.656 16.66 | 0.500 12.70 | | | | 0.656 16.66 | 0.500 12.70 |
| 0.6 5.5 | 1250 | Q | 1500 | GQL5R500 | PC42Q5R5 | 0.922 23.42 | 0.703 17.86 | | | | 0.922 23.42 | 0.703 17.86 |
| 0.6 9.5 | 1250 | Q | 1500 | GQL9R500 | PC42Q9R5 | 1.359 34.52 | 1.016 25.81 | | | | 1.359 34.52 | 1.016 25.81 |
| 0.8 16.0 | 1250 | Q | 1500 | GQL16000 | PC42Q160 | 1.953 49.61 | 1.469 37.31 | | | | 1.953 49.61 | 1.469 37.31 |

*These capacitors were listed in Military Specification MIL-C-14409B but do not appear in MIL-C-14409D.

MODIFICATIONS



No. 16
BASE LUG, SINGLE LEAD



No. 17
BASE LUG, DOUBLE LEAD

EXPANDED RANGE SEALED PRINTED CIRCUIT MOUNTING



Figure 2C

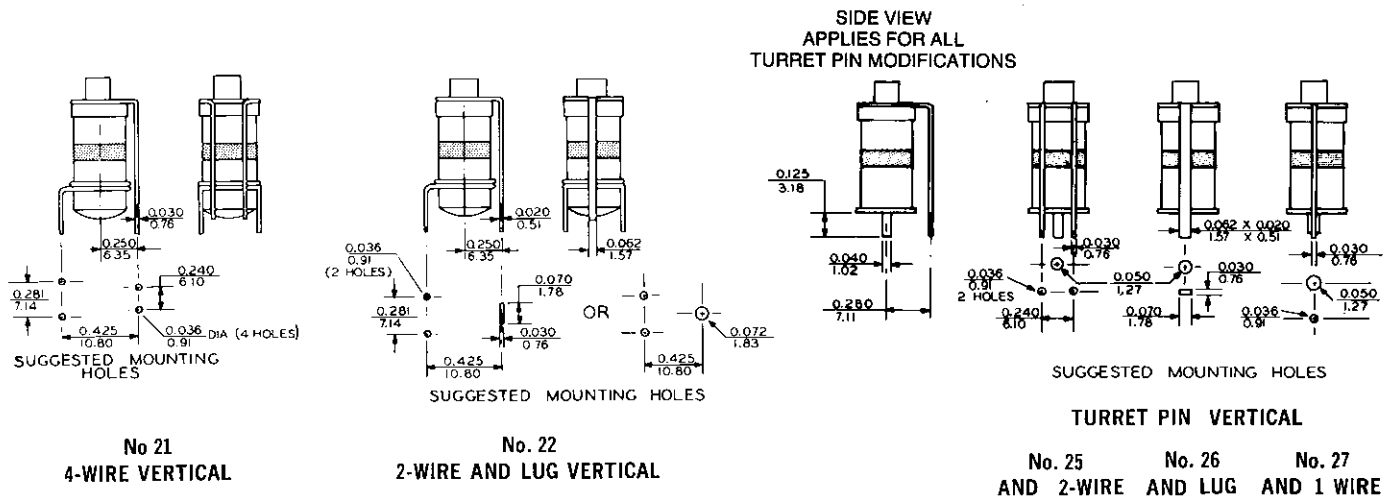


Figure 2D

| Capacitance Range in pF Min. Max. | D-C Voltage Rating (Volts) | Temp. Char. (See Table) | Minimum Quality Factor Q | SEALED END STYLE (Fig. 2C) | | | | COLLARED BUSHING STYLE (Fig. 2D) | | | |
|--------------------------------------|----------------------------|-------------------------|--------------------------|----------------------------|-----------------|---------------|-------------------------|----------------------------------|---------------|-------------------------|--|
| | | | | Model No. | Mil Designation | A Max. In. mm | B ± 0.031 (0.79) In. mm | Model No. | A Max. In. mm | B ± 0.031 (0.79) In. mm | |
| STANDARD GLASS | | | | | | | | | | | |
| 1.0 14.0 | 1000 | G | 500 | GEL14000 | *PC43G140 | 0.780 19.81 | 0.700 17.78 | GEV14000 | 0.484 12.29 | 0.422 10.72 | |
| 1.0 28.0 | 1000 | G | 350 | GEL28000 | *PC43G280 | 1.020 25.91 | 0.940 23.88 | GEV28000 | 0.734 18.64 | 0.672 17.07 | |
| 1.0 42.0 | 1000 | G | 250 | GEL42000 | *PC43G420 | 1.235 31.37 | 1.155 29.34 | GEV42000 | 0.938 23.83 | 0.875 22.23 | |
| 1.0 60.0 | 1000 | G | 250 | GEL60000 | *PC43G600 | 1.480 37.59 | 1.400 35.56 | GEV60000 | 1.188 30.18 | 1.125 28.58 | |
| 1.0 90.0 | 1000 | G | 250 | GEL90000 | *PC43G900 | 2.080 52.83 | 2.000 50.80 | GEV90000 | 1.781 45.24 | 1.734 44.04 | |
| HI-RANGE GLASS | | | | | | | | | | | |
| 1.0 16.0 | 1000 | G | 750 | GFL16000 | PC43G160 | 0.780 19.81 | 0.700 17.78 | GFV16000 | 0.484 12.29 | 0.422 10.72 | |
| 1.0 36.0 | 1000 | G | 550 | GFL36000 | PC43G360 | 1.020 25.91 | 0.940 23.88 | GFV36000 | 0.734 18.64 | 0.672 17.07 | |
| 1.0 52.0 | 1000 | G | 350 | GFL52000 | PC43G520 | 1.235 31.37 | 1.155 29.34 | GFV52000 | 0.938 23.83 | 0.875 22.23 | |
| 1.0 75.0 | 1000 | G | 250 | GFL75000 | PC43G750 | 1.480 37.59 | 1.400 35.56 | GFV75000 | 1.188 30.18 | 1.125 28.58 | |
| 1.0 120.0 | 1000 | G | 250 | GFL12100 | PC43G121 | 2.080 52.83 | 2.000 50.80 | GFV12100 | 1.781 45.24 | 1.734 44.04 | |

*These capacitors were listed in Military Specification MIL-C-14409B but do not appear in MIL-C-14409D.

NOTE: Capacitance increases up to 0.5 pF on vertical modifications due to position of leads alongside capacitor body.



PANEL MOUNTING



Figure 3A

SEALED PANEL MOUNTING



Figure 3B

| Capacitance Range in pF Min. Max. | D-C Voltage Rating (Volts) | Min. Quality Factor Q | Temp. Char. (See Table) | Model No. Figure 3A | Mil Designation | A | |
|--------------------------------------|----------------------------|-----------------------|-------------------------|---------------------|-----------------|--|--|
| | | | | | | +0.047, -0.031 (+1.19, -0.79) In. mm | |
| STANDARD GLASS | | | | | | | |
| 0.8 4.5 | 750 | 500 | J | GGP4R500 | *PC40J4R5 | 0.297 7.54 | |
| 0.8 8.5 | 750 | 500 | J | GGP8R500 | *PC40J8R5 | 0.547 13.89 | |
| 0.8 12.0 | 750 | 500 | H | GGP12000 | *PC40H120 | 0.750 19.05 | |
| 0.8 18.0 | 750 | 500 | H | GGP18000 | *PC40H180 | 0.984 24.99 | |
| 0.8 30.0 | 750 | 350 | H | GGP30000 | *PC40H300 | 1.594 40.49 | |
| HI-RANGE GLASS | | | | | | | |
| 0.8 5.5 | 750 | 1000 | J | GHP5R500 | PC50J5R5 | 0.297 7.54 | |
| 0.8 11.0 | 750 | 900 | J | GHP11000 | PC50J110 | 0.547 13.89 | |
| 0.8 16.0 | 750 | 800 | H | GHP16000 | PC50H160 | 0.750 19.05 | |
| 0.8 23.0 | 750 | 700 | H | GHP23000 | PC50H230 | 0.984 24.99 | |
| 0.8 38.0 | 750 | 500 | H | GHP38000 | PC50H380 | 1.594 40.49 | |
| QUARTZ | | | | | | | |
| 0.6 1.8 | 750 | 1500 | Q | GQP1R800 | PC40Q1R8 | 0.297 7.54 | |
| 0.6 5.5 | 750 | 1500 | Q | GQP5R500 | PC40Q5R5 | 0.547 13.89 | |
| 0.6 9.5 | 750 | 1500 | Q | GQP9R500 | PC40Q9R5 | 0.984 24.99 | |
| 0.8 16.0 | 750 | 1500 | Q | GQP16000 | PC40Q160 | 1.594 40.49 | |

| Capacitance Range in pF Min. Max. | D-C Voltage Rating (Volts) | Min. Quality Factor Q | Temp. Char. (See Table) | Model No. Figure 3B | Mil Designation | Length A ± 0.031 (0.79) In. mm | |
|--------------------------------------|----------------------------|-----------------------|-------------------------|---------------------|-----------------|--------------------------------------|--|
| | | | | | | | |
| STANDARD GLASS | | | | | | | |
| 0.8 4.5 | 750 | 500 | J | GGR4R500 | *PC38J4R5 | 0.359 9.12 | |
| 0.8 8.5 | 1250 | 500 | J | GGR8R500 | *PC38J8R5 | 0.594 15.09 | |
| 0.8 12.0 | 1250 | 500 | H | GGR12000 | *PC38H120 | 0.812 20.62 | |
| 0.8 18.0 | 1250 | 500 | H | GGR18000 | *PC38H180 | 1.062 26.97 | |
| 0.8 30.0 | 1250 | 350 | H | GGR30000 | *PC38H300 | 1.656 42.06 | |
| HI-RANGE GLASS | | | | | | | |
| 0.8 5.5 | 750 | 1000 | J | GHR5R500 | PC48J5R5 | 0.359 9.12 | |
| 0.8 11.0 | 1250 | 900 | J | GHR11000 | PC48J110 | 0.594 15.09 | |
| 0.8 16.0 | 1250 | 800 | H | GHR16000 | PC48H160 | 0.812 20.62 | |
| 0.8 23.0 | 1250 | 700 | H | GHR23000 | PC48H230 | 1.062 26.97 | |
| 0.8 38.0 | 1250 | 500 | H | GHR38000 | PC48H380 | 1.656 42.06 | |
| QUARTZ | | | | | | | |
| 0.6 1.8 | 750 | 1500 | Q | GQR1R800 | PC38Q1R8 | 0.359 9.12 | |
| 0.6 5.5 | 1250 | 1500 | Q | GQR5R500 | PC38Q5R5 | 0.625 15.88 | |
| 0.6 9.5 | 1250 | 1500 | Q | GQR9R500 | PC38Q9R5 | 1.062 26.97 | |
| 0.8 16.0 | 1250 | 1500 | Q | GQR16000 | PC38Q160 | 1.656 42.06 | |

*These capacitors were listed in Military Specification MIL-C-14409B but do not appear in MIL-C-14409D.

MODIFICATIONS



EXPANDED RANGE PANEL MOUNTING



Figure 3C

EXPANDED RANGE SEALED PANEL MOUNTING



Figure 3D

| Capacitance Range in pF | D-C Voltage Rating (Volts) | Minimum Quality Factor Q | Temp. Char. (See Table) | Model No. Figure 3C | A | |
|----------------------------------|----------------------------|--------------------------|-------------------------|---------------------|----------------|--------|
| | | | | | ± 0.031 (0.79) | In. mm |
| STANDARD GLASS DIELECTRIC | | | | | | |
| 1.2 | 10.0 | 500 | Y | GSG006 | 0.266 | 6.76 |
| 1.0 | 14.0 | 750 | G | GEP14000 | 0.375 | 9.53 |
| 1.0 | 28.0 | 750 | G | GEP28000 | 0.609 | 15.47 |
| 1.0 | 42.0 | 750 | G | GEP42000 | 0.828 | 21.03 |
| 1.0 | 60.0 | 750 | G | GEP60000 | 1.078 | 27.38 |
| 1.0 | 90.0 | 750 | G | GEP90000 | 1.672 | 42.47 |
| HI-RANGE GLASS DIELECTRIC | | | | | | |
| 1.2 | 16.0 | 500 | Y | GSG007 | 0.312 | 7.92 |
| 1.0 | 16.0 | 750 | G | GFP16000 | 0.375 | 9.53 |
| 1.0 | 36.0 | 750 | G | GFP36000 | 0.609 | 15.47 |
| 1.0 | 52.0 | 750 | G | GFP52000 | 0.828 | 21.03 |
| 1.0 | 75.0 | 750 | G | GFP75000 | 1.078 | 27.38 |
| 1.0 | 120.0 | 750 | G | GFP12100 | 1.672 | 42.47 |

| Capacitance Range in pF | D-C Voltage Rating (Volts) | Min. Quality Factor Q | Temp. Char. (See Table) | Model No. Figure 3D | Mil Designation | Length A | |
|-------------------------|----------------------------|-----------------------|-------------------------|---------------------|-----------------|----------------|-------------|
| | | | | | | ± 0.031 (0.79) | In. mm |
| STANDARD GLASS | | | | | | | |
| 1.0 | 14 | 1000 | 500 | G | GER14000 | *PC39G140 | 0.469 11.91 |
| 1.0 | 28 | 1000 | 350 | G | GER28000 | *PC39G280 | 0.703 17.86 |
| 1.0 | 42 | 1000 | 250 | G | GER42000 | *PC39G420 | 0.922 23.42 |
| 1.0 | 60 | 1000 | 250 | G | GER60000 | *PC39G600 | 1.172 29.77 |
| 1.0 | 90 | 1000 | 250 | G | GER90000 | *PC39G900 | 1.766 44.86 |
| HI-RANGE GLASS | | | | | | | |
| 1.0 | 16 | 1000 | 750 | G | GFR16000 | PC39G160 | 0.469 11.91 |
| 1.0 | 36 | 1000 | 550 | G | GFR36000 | PC39G360 | 0.703 17.86 |
| 1.0 | 52 | 1000 | 350 | G | GFR52000 | PC39G520 | 0.922 23.42 |
| 1.0 | 75 | 1000 | 250 | G | GFR75000 | PC39G750 | 1.172 29.77 |
| 1.0 | 120 | 1000 | 250 | G | GFR12100 | PC39G121 | 1.766 44.86 |

*These capacitors were listed in Military Specification MIL-C-14409B but do not appear in MIL-C-14409D.



No. 13
WELDABLE LEAD



No. 14
TURRET CAP



No. 15
DOUBLE LEADS



No. 30
INSULATED NYLON BUSHING

**EXTENDED-SCREW,
1/4" DIA. MOUNTING BUSHING**

SPECIFICATIONS

Operating Temperature Range:
 -55°C to +125°C (Glass)
 -55°C to +150°C (Quartz)
 Voltage Rating: 750 Volts D-C

Wire Size:
 No. 22 AWG
 Except GGW3R000
 No. 24 AWG



TYPES GGW, GHW, GSG904 THRU 906

TYPES GQW, GSG900 THRU 903, AND GSG907 THRU 910

| Cap. Range in pF | | Min. Q at 20 MHz | Temp. Coeff. in ppm/°C | Model No. | Length | | Screw Extension | |
|---|------|------------------|------------------------|-----------|----------|-----------|-----------------|-------|
| Min. | Max. | | | | A ± .031 | mm ± 0.79 | B Max. | mm |
| STANDARD GLASS | | | | | | | | |
| 0.5 | 3.0 | 500 | ± 50 | GGW3R000 | 0.484 | 12.29 | 0.625 | 15.88 |
| 0.8 | 8.5 | 500 | ± 75 | GGW8R500 | 0.578 | 14.68 | 0.625 | 15.88 |
| 0.7 | 9.0 | 500 | ± 75 | GGW9R000 | 0.656 | 16.66 | 0.656 | 16.66 |
| 0.8 | 12.0 | 500 | ± 100 | GGW12000 | 0.765 | 19.43 | 0.750 | 19.05 |
| 0.8 | 18.0 | 500 | ± 100 | GGW18000 | 1.000 | 25.40 | 0.843 | 21.41 |
| 0.8 | 30.0 | 500 | ± 100 | GGW30000 | 1.594 | 40.49 | 1.141 | 28.98 |
| HI-RANGE GLASS | | | | | | | | |
| 0.5 | 4.5 | 1000 | ± 100 | GHW4R500 | 0.484 | 12.29 | 0.625 | 15.88 |
| 0.8 | 11.0 | 900 | ± 100 | GHW11000 | 0.578 | 14.68 | 0.625 | 15.88 |
| 0.8 | 13.0 | 900 | ± 100 | GHW13000 | 0.609 | 15.47 | 0.625 | 15.88 |
| 0.8 | 17.0 | 800 | ± 100 | GHW17000 | 0.765 | 19.43 | 0.750 | 19.05 |
| 1.0 | 24.0 | 700 | ± 100 | GHW24000 | 1.000 | 25.40 | 0.812 | 20.62 |
| 1.0 | 40.0 | 500 | ± 100 | GHW40000 | 1.594 | 40.49 | 1.125 | 28.58 |
| STANDARD GLASS — SPECIAL TEMP. COEFF.* | | | | | | | | |
| 0.7 | 9.0 | 500 | +400 ± 100 | GSG904 | 0.656 | 16.66 | 0.797 | 20.24 |
| 0.8 | 18.0 | 500 | +400 ± 100 | GSG905 | 1.000 | 25.40 | 0.938 | 23.83 |
| 0.8 | 30.0 | 500 | +400 ± 100 | GSG906 | 1.594 | 40.49 | 1.250 | 31.75 |
| QUARTZ (C = 0.250 DIA. TUBE) | | | | | | | | |
| 0.6 | 5.5 | 1500 | +50, -0 | GQW5R500 | 0.563 | 14.30 | 0.765 | 19.43 |
| 0.6 | 9.5 | 1500 | +50, -0 | GQW9R500 | 1.000 | 25.40 | 0.891 | 22.63 |
| 0.8 | 16.0 | 1500 | +50, -0 | GQW16000 | 1.594 | 40.49 | 1.250 | 31.75 |
| QUARTZ (C = 0.250 DIA. TUBE)* | | | | | | | | |
| 0.7 | 4.5 | 1500 | +50, -0 | GSG907 | 0.438 | 11.13 | 0.546 | 13.87 |
| 0.6 | 6.0 | 1500 | +50, -0 | GSG908 | 0.625 | 15.88 | 0.906 | 23.01 |
| 0.8 | 10.0 | 1500 | +50, -0 | GSG909 | 1.000 | 25.40 | 0.891 | 22.63 |
| 9.0 | 21.0 | 1500 | +50, -0 | GSG910 | 1.594 | 40.49 | 1.000 | 25.40 |
| STANDARD GLASS (C = 0.250 DIA. TUBE)* | | | | | | | | |
| 0.7 | 9.0 | 500 | +0, -150 | GSG900 | 0.656 | 16.66 | 0.765 | 19.43 |
| 0.6 | 14.0 | 500 | +0, -150 | GSG901 | 1.000 | 25.40 | 1.000 | 25.40 |
| 0.8 | 18.0 | 500 | +0, -150 | GSG902 | 1.000 | 25.40 | 0.953 | 24.21 |
| 0.8 | 30.0 | 500 | +0, -150 | GSG903 | 1.594 | 40.49 | 1.250 | 31.75 |

*The "GSG" model prefix signifies a special design. Part numbers for these devices are assigned sequentially and are not in accordance with the standard part numbering system.

MINIATURE SPLIT STATOR CAPACITORS

Piston adjustment varies capacitance simultaneously from each plate to bushing and from plate to plate for use in push-pull circuits and similar networks.



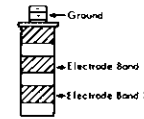
C₁ = Capacitance of Electrode Band 1 to Ground.
 C₂ = Capacitance of Electrode Band 2 to Ground.
 C₃ = Capacitance of Electrode Band 1 to Electrode Band 2.

Panel Mounting Model. For other configurations, contact factory.

| Model No. | Cap. Range (pF) | | | | K ± 0.031/0.79 | |
|------------|------------------|------|----------------|-----|----------------|-------|
| | Plate to Bushing | | Plate to Plate | | in. | mm |
| JFD-SP86GY | 0.8 | 4.2 | 0.8 | 2.0 | .547 | 13.89 |
| JFD-SP87GY | 0.8 | 9.0 | 1.5 | 4.5 | 1.000 | 25.40 |
| JFD-SP88GY | 1.0 | 14.0 | 2.0 | 7.0 | 1.609 | 40.87 |

MINIATURE DIFFERENTIAL CAPACITORS

Piston adjustment increases capacitance of one gang while capacitance of other gang decreases.



C₁ = Capacitance of Electrode Band 1 to Ground.
 C₂ = Capacitance of Electrode Band 2 to Ground.
 C₃ = Capacitance of Electrode Band 1 to Electrode Band 2.

Panel Mounting Model. For other configurations, contact factory.

| Model No. | Sect. | Cap. Range (pF) | | Typical (pF) Crossover | B ± .024/0.62 | | K ± .031/0.79 | | Wire Dia. | |
|------------|---------|-----------------|------|------------------------|---------------|-------|---------------|-------|-----------|-----|
| | | Min. | Max. | | in. | mm | in. | mm | in. | mm |
| JFD-DC411Y | Sect. 1 | 0.7 | 3.0 | 2.3 | .094 | 2.39 | .312 | 7.92 | .016 | .41 |
| | Sect. 2 | 2.0 | 3.0 | | | | | | | |
| JFD-DC413Y | Sect. 1 | 1.0 | 8.0 | 5.0 | .219 | 5.56 | .547 | 13.89 | .020 | .51 |
| | Sect. 2 | 3.0 | 8.0 | | | | | | | |
| JFD-DC414Y | Sect. 1 | 1.0 | 12.0 | 6.8 | .312 | 7.92 | .750 | 19.05 | .025 | .64 |
| | Sect. 2 | 3.5 | 12.0 | | | | | | | |
| JFD-DC416Y | Sect. 1 | 1.5 | 16.0 | 9.2 | .406 | 10.31 | .937 | 23.80 | .025 | .64 |
| | Sect. 2 | 4.0 | 11.0 | | | | | | | |
| JFD-DC419Y | Sect. 1 | 2.0 | 26.0 | 15.2 | .656 | 16.66 | 1.437 | 36.50 | .025 | .64 |
| | Sect. 2 | 6.0 | 28.0 | | | | | | | |

Sect. #1: Base to end electrode
 Sect. #2: Base to center electrode

NOTES:

- TCC = 0 ± 100 ppm/°C; -55°C to +125°C
- Q @ 20 MHz: 500 min.
- Adjust torque: 1-10 oz.-in.
- Working Voltage Rating: 500 VDC
- Drift = 0.2% or 0.04 pF
- IR = 10⁹ MΩ

Surface Mount Glass PISTONCAP®

Vertical and Horizontal Mount Types

Available in Standard and Extended Range Models

VERTICAL MOUNT TYPES

EXTERNAL ELECTRODE

| Capacitance Range in pF | | D-C Voltage Rating (Volts) | Temp. Char. (See Table) | Minimum Quality Factor Q | A max | | Unsealed Model No. (See Note 2) | Sealed Model No. |
|-------------------------|--------------|----------------------------|-------------------------|--------------------------|-------|------|---------------------------------|----------------------|
| min | max | | | | in | mm | | |
| 1.3 | 4.5 5.5 | 750 | J | 500 1000 | 0.383 | 9.73 | GGN4R531 GHN5R531 | GGV4R531 GHV5R531 |
| 1.3 | 8.5 11.0 | 750 | J | 500 900 | 0.633 | 16.1 | GGN8R531 GHN11031 | GGV8R531 GHV11031 |
| 1.3 | 12.0 16.0 | 750 | H | 500 800 | 0.837 | 21.3 | GGN12031 GHN16031 | GGV12031 GHV16031 |
| 1.3 | 18.0 23.0 | 750 | H | 500 700 | 1.071 | 27.2 | GGN18031 GHN23031 | GGV18031 GHV23031 |

EMBEDDED ELECTRODE

| Capacitance Range in pF | | D-C Voltage Rating (Volts) | Temp. Char. (See Table) | Minimum Quality Factor Q | A max | | Unsealed Model No. (See Note 2) | Sealed Model No. |
|-------------------------|--------------|----------------------------|-------------------------|--------------------------|-------|------|---------------------------------|----------------------|
| min | max | | | | in | mm | | |
| 1.5 | 14.5 16.5 | 1000 | G | 500 750 | 0.462 | 11.7 | GEN14031 GFN16031 | GEV14031 GFV16031 |
| 1.5 | 28.5 36.5 | 1000 | G | 350 550 | 0.696 | 17.7 | GEN28031 GFN36031 | GEV28031 GFV36031 |



VERTICAL MOUNT

Notes:

1) Unsealed models: 0.120
3.05

Sealed models: 0.245
6.22

2) For an optional sealing cap to cover adjustment access on unsealed models, contact factory.

HORIZONTAL MOUNT TYPES

EXTERNAL ELECTRODE

| Capacitance Range in pF | | D-C Voltage Rating (Volts) | Temp. Char. (See Table) | Minimum Quality Factor Q | A max | | Unsealed Model No. (See Note 2) | Sealed Model No. |
|-------------------------|--------------|----------------------------|-------------------------|--------------------------|-------|------|---------------------------------|----------------------|
| min | max | | | | in | mm | | |
| 0.8 | 8.5 11.0 | 750 | J | 500 900 | 0.673 | 17.1 | GGN8R533 GHN11033 | GGV8R533 GHV11033 |
| 0.8 | 12.0 16.0 | 750 | H | 500 800 | 0.877 | 22.3 | GGN12033 GHN16033 | GGV12033 GHV16033 |
| 0.8 | 18.0 23.0 | 750 | H | 500 700 | 1.111 | 28.2 | GGN18033 GHN23033 | GGV18033 GHV23033 |
| 0.8 | 30.0 38.0 | 750 | H | 350 500 | 1.720 | 43.7 | GGN30033 GHN38033 | GGV30033 GHV38033 |

EMBEDDED ELECTRODE

| Capacitance Range in pF | | D-C Voltage Rating (Volts) | Temp. Char. (See Table) | Minimum Quality Factor Q | A max | | Unsealed Model No. (See Note 2) | Sealed Model No. |
|-------------------------|---------------|----------------------------|-------------------------|--------------------------|-------|------|---------------------------------|----------------------|
| min | max | | | | in | mm | | |
| 1.0 | 28.0 36.0 | 1000 | G | 350 550 | 0.736 | 18.7 | GEN28033 GFN36033 | GEV28033 GFV36033 |
| 1.0 | 42.0 52.0 | 1000 | G | 250 350 | 0.955 | 24.3 | GEN42033 GFN52033 | GEV42033 GFV52033 |
| 1.0 | 60.0 75.0 | 1000 | G | 250 250 | 1.205 | 30.6 | GEN60033 GFN75033 | GEV60033 GFV75033 |
| 1.0 | 90.0 120.0 | 1000 | G | 250 250 | 1.799 | 45.7 | GEN90033 GFN12133 | GEV90033 GFV12133 |



HORIZONTAL MOUNT

Notes:

1) Unsealed models: 0.120
3.05

Sealed models: 0.245
6.22

2) For an optional sealing cap to cover adjustment access on unsealed models, contact factory.

DIRECT TRAVERSE GLASS TRIMMERS

FEATURES

- Shortest sealed PISTONCAP®
- Designed to meet MIL-C-14409.
- Annular band and embedded band models.
- High Q.
- High self-resonant frequency.
- Surface mount or through-hole mount.
- O-ring seal protects (to 276 kPa, 40 psi) against dust, flux, moisture, solder and solvents.
- Direct traverse (non-rotating) piston.

SPECIFICATIONS

Operating Temperature Range: -55°C to 125°C
 Voltage Rating: 250 VDC
 Dielectric Withstanding Voltage: 500 VDC
 Insulation Resistance: 10⁶ Megohms min
 Torque: 36 to 360 g-cm (0.50 to 5.0 oz-in)
 Tuning Resolution:
 0.7 pF per turn for Annular Band
 2.7 pF per turn for Embedded Band



| | Capacitance Range (pF) | | TCC (ppm/°C) | Q min (1 MHz) | A max (in/mm) | Surface Mount Model No. | Through-hole Model No. |
|-----------------------------|------------------------|-----|--------------|---------------|---------------|-------------------------|------------------------|
| | min | max | | | | | |
| Annular Band Models | 1.0 | 5.5 | 0 ± 50 | 1000 | 0.42/11 | GDT5R531 | GDT5R526 |
| | 1.0 | 8.5 | 0 ± 50 | 650 | 0.57/14 | GDT8R531 | GDT8R526 |
| Embedded Band Models | 1.5 | 10 | 0 ± 150 | 800 | 0.37/9.4 | GDT10031 | GDT10026 |
| | 1.5 | 20 | 0 ± 150 | 800 | 0.44/11 | GDT20031 | GDT20026 |
| | 1.5 | 30 | 0 ± 150 | 800 | 0.52/13 | GDT30031 | GDT30026 |
| | 1.5 | 40 | 0 ± 150 | 800 | 0.63/16 | GDT40031 | GDT40026 |



Note: For horizontal mounting configurations, contact factory.
 All dimensions are in / mm.
 Unless otherwise specified, the tolerance on all dimensions is ±0.005/0.1, except slot tolerance is ±0.002/0.05.

HIGH VOLTAGE TRIMMER (Quartz Dielectric)



| Model No. | Capacitance Range (pF) | WVDC | Dielectric Strength VDC |
|-----------|------------------------|-------|-------------------------|
| JFD-VC99 | 0.8-10.0 | 5,000 | 10,000 |

- Notes:**
1. Operating Temp.: -55° C to +150° C
 2. Temp. coefficient: +25 ± 25 PPM/° C
 3. Q factor @ 20 MHz: 1500 min.
 4. Insulation Resistance: 10⁶ megohms

HIGH RF VOLTAGE TRIMMER (Quartz Dielectric)



Fig. 1

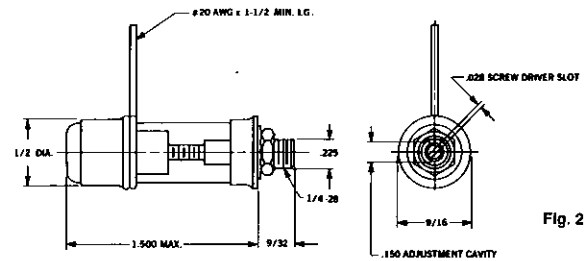


Fig. 2

| Model No. | Capacitance Range (pF) | Operating RF voltage (measured for 1 min.) at 50% R.H. and 2 MHz | Fig. |
|--------------|------------------------|--|------|
| JFD-VCJ1616M | 0.5-5.0 | 3,100 v peak at +25° C 2,500 v peak at +200° C (superimposed on 2,500 VDC) | 1 |
| JFD-VCJ1616E | 0.9-5.0 | 4,000 v peak at +25° C 3,500 v peak at +200° C (superimposed on 2,500 VDC) | 2 |

- Notes:**
1. Operating Temp.: -55° C to +200° C
 2. Temp. coefficient: (-55 thru +150° C): ± 100 PPM/° C
 3. Dielectric strength: 10,000 VDC
 4. Q @ 1 MHz: 2000 min.
 5. Insulation Resistance (after 1 min. @ 500 VDC and 50/R.H.): 10⁶ megohms min.
 6. Suitable frequency range: 1 to 30 MHz.

STANDARD MODIFICATIONS

| Mod. Suffix | Description of Modification | Availability on Models | Shown on Pages | Mod. Suffix | Description of Modification | Availability on Models | Shown on Pages |
|-------------|-----------------------------|------------------------|----------------|-------------|------------------------------------|------------------------|----------------|
| 01 | Omit Electrode Lead | Panel Mtg. | 8, 9 | 22 | Two Wire & Lug Vertical | PC Mtg. | 4, 5, 6, 7 |
| 06 | Cylinder End Closed | Open End Panel & PC | 4, 5, 8 | 25 | Turret Pin Cap & Two Wire Vertical | PC Mtg. | 4, 5, 6, 7 |
| 11 | Extra Base Lug | Panel Mtg. | 8, 9 | 26 | Turret Pin Cap & Lug Vertical | PC Mtg. | 4, 5, 6, 7, 14 |
| 12 | Ribbon Lead | Panel Mtg. | 8, 9 | 27 | Turret Pin Cap & One Wire Vertical | PC Mtg. | 4, 5, 6, 7 |
| 13 | Weldable Lead | Panel Mtg. | 8, 9 | 30 | Insulated Nylon Bushing | Panel Mtg. | 8, 9 |
| 14 | Turret Cap | Open End Panel Mtg. | 8, 9 | 31 | Vertical Surface Mount | PC Mtg. | 12, 14 |
| 15 | Double Leads | Panel Mtg. | 8, 9 | 33 | Horizontal Surface Mount | PC Mtg. | 13 |
| 16 | Base Lug, Single Lead | PC Mtg. | 4, 5, 6, 7 | | | | |
| 17 | Base Lug, Double Leads | PC Mtg. | 4, 5, 6, 7 | | | | |
| 21 | Four Wire Vertical | PC Mtg. | 4, 5, 6, 7 | | | | |

CUSTOM PISTONCAP® CAPACITOR DESIGNS

There are many possible design variations utilizing Pistoncap technology. The standard modifications given on pages 4 through 9 show the more popular design variations. In addition, dual electrode band models (differential) and split electrode band models (split stator) are shown below. Both styles are available in any of the standard or modified mechanical designs listed in the bulletin.

Pistoncaps are rated quite conservatively for both minimum and maximum capacitance. Therefore, units with a larger guaranteed range can be supplied on special order.

Shown at right is a variety of special leads, lugs, and combinations of leads and lugs available on Sprague-Goodman Pistoncap capacitors. These, in addition to other possibilities, afford the design engineer a wide selection of mounting and attachment for his packaging requirements.



NOTES ON MEASUREMENTS

1. Capacitance measured at 1 MHz \pm 100 kHz in a test fixture incorporating a guard provision.
2. Dielectric Strength: Twice Rated Voltage.
3. Dielectric strength measured at maximum rated capacitance.
4. Insulation Resistance: 10^6 Megohms at +25°C.
5. Insulation resistance at peak operating temperature: see table.
6. Insulation resistance measured at maximum rated capacitance with 500 \pm 50 volts applied for 1 minute.
7. Quality factor (Q) measured at 20 MHz \pm 200 kHz at maximum rated capacitance.
8. Temperature coefficient of capacitance measured at 1 MHz \pm 100 kHz at approximately 75% of maximum rated capacitance.
9. All measurements per MIL-C-14409D.
10. Driving torque: 1 to 10 ounce-inches.
11. Tolerance on dimensions: \pm 0.016 (\pm 0.41 mm) unless otherwise specified.

TEMPERATURE TABLE

| Temp. Char. | Operating Temperature Range | Temp. Coefficient (ppm/°C) | Max. Drift | IR at Peak Temp. (MΩ) |
|-------------|-----------------------------|----------------------------|-----------------------|-----------------------|
| G | - 55°C to + 125°C | \pm 150 | \pm 0.5% | 10^5 |
| H | - 55°C to + 125°C | \pm 100 | \pm 0.2% or 0.04pF | 10^5 |
| J | - 55°C to + 125°C | \pm 50 | \pm 0.15% or 0.02pF | 10^5 |
| Q | - 55°C to + 150°C | + 50, -0 | \pm 0.10% or 0.01pF | 10^6 |
| Y | - 55°C to + 125°C | + 75, \pm 75 | \pm 0.5% | 10^5 |



Sprague-Goodman Electronics, Inc.

1700 SHAMES DRIVE, WESTBURY, NY 11590

TEL: 516-334-8700 • FAX: 516-334-8771



Компания «ЭлектроПласт» предлагает заключение долгосрочных отношений при поставках импортных электронных компонентов на взаимовыгодных условиях!

Наши преимущества:

- Оперативные поставки широкого спектра электронных компонентов отечественного и импортного производства напрямую от производителей и с крупнейших мировых складов;
- Поставка более 17-ти миллионов наименований электронных компонентов;
- Поставка сложных, дефицитных, либо снятых с производства позиций;
- Оперативные сроки поставки под заказ (от 5 рабочих дней);
- Экспресс доставка в любую точку России;
- Техническая поддержка проекта, помощь в подборе аналогов, поставка прототипов;
- Система менеджмента качества сертифицирована по Международному стандарту ISO 9001;
- Лицензия ФСБ на осуществление работ с использованием сведений, составляющих государственную тайну;
- Поставка специализированных компонентов (Xilinx, Altera, Analog Devices, Intersil, Interpoint, Microsemi, Aeroflex, Peregrine, Syfer, Eurofarad, Texas Instrument, Miteq, Cobham, E2V, MA-COM, Hittite, Mini-Circuits, General Dynamics и др.);

Помимо этого, одним из направлений компании «ЭлектроПласт» является направление «Источники питания». Мы предлагаем Вам помощь Конструкторского отдела:

- Подбор оптимального решения, техническое обоснование при выборе компонента;
- Подбор аналогов;
- Консультации по применению компонента;
- Поставка образцов и прототипов;
- Техническая поддержка проекта;
- Защита от снятия компонента с производства.



Как с нами связаться

Телефон: 8 (812) 309 58 32 (многоканальный)

Факс: 8 (812) 320-02-42

Электронная почта: org@eplast1.ru

Адрес: 198099, г. Санкт-Петербург, ул. Калинина, дом 2, корпус 4, литера А.