

EPCOS Product Profile 2012

Power Capacitors

for Industrial Applications and Renewable Energy



Welcome to the World of Electronic Components, Modules and Systems



EPCOS is a leading manufacturer of electronic components, modules and systems. Our broad portfolio includes capacitors, inductors and ferrites, EMC filters, sensors and sensor systems, nonlinear resistors, and arresters, as well as SAW and BAW components and RF modules. As an innovative technology-driven company, EPCOS focuses technologically demanding growth markets in the areas of information and communications technology, automotive, industrial, and consumer electronics. We offer our customers both standard components as well as application-specific solutions.

EPCOS has design, manufacturing and marketing facilities in Europe, Asia and the Americas. We are continuously strengthening our global research and development network by expanding R&D activities at our production locations, primarily in Eastern Europe, China and India. With our global presence we are able to provide our customers with local development and manufacturing know-how and support in the early phases of their projects.

EPCOS is continually improving its processes and thus the quality of its products and services. The Group is ISO/TS 16949 certified and remains committed to constantly reviewing and systematically improving its quality management system.

Power Capacitors for Industrial Applications and Renewable Energy



Contents

| | |
|---|---|
| Important notes | 4 |
| Power capacitors for UPS systems and filter applications | 5 |
| Power capacitors for solar inverter in photovoltaic systems | 6 |
| Power capacitors for wind power generation | 7 |
| Technical data | 8 |

Important Notes

The following applies to all products named in this publication:

1. Some parts of this publication contain **statements about the suitability of our products for certain areas of application**. These statements are based on our knowledge of typical requirements that are often placed on our products in the areas of application concerned. We nevertheless expressly point out **that such statements cannot be regarded as binding statements about the suitability of our products for a particular customer application**. As a rule, EPCOS is either unfamiliar with individual customer applications or less familiar with them than the customers themselves. For these reasons, it is always ultimately incumbent on the customer to check and decide whether an EPCOS product with the properties described in the product specification is suitable for use in a particular customer application.
2. We also point out that **in individual cases, a malfunction of electronic components or failure before the end of their usual service life cannot be completely ruled out in the current state of the art, even if they are operated as specified**. In customer applications requiring a very high level of operational safety and especially in customer applications in which the malfunction or failure of an electronic component could endanger human life or health (e.g. in accident prevention or life-saving systems), it must therefore be ensured by means of suitable design of the customer application or other action taken by the customer (e.g. installation of protective circuitry or redundancy) that no injury or damage is sustained by third parties in the event of malfunction or failure of an electronic component.
3. **The warnings, cautions and product-specific notes must be observed.**
4. In order to satisfy certain technical requirements, **some of the products described in this publication may contain substances subject to restrictions in certain jurisdictions (e.g. because they are classed as hazardous)**. Useful information on this will be found in our Material Data Sheets on the Internet (www.epcos.com/material). Should you have any more detailed questions, please contact our sales offices.
5. We constantly strive to improve our products. Consequently, **the products described in this publication may change from time to time**. The same is true of the corresponding product specifications. Please check therefore to what extent product descriptions and specifications contained in this publication are still applicable before or when you place an order.

We **also reserve the right to discontinue production and delivery of products**. Consequently, we cannot guarantee that all products named in this publication will always be available.

The aforementioned does not apply in the case of individual agreements deviating from the foregoing for customer-specific products.
6. Unless otherwise agreed in individual contracts, **all orders are subject to the current version of the “General Terms of Delivery for Products and Services in the Electrical Industry” published by the German Electrical and Electronics Industry Association (ZVEI)**.
7. The trade names EPCOS, BAOKE, Alu-X, CeraDiode, CSMP, CSSP, CTVS, DeltaCap, DigiSiMic, DSSP, FormFit, MiniBlue, MiniCell, MKD, MKK, MLSC, MotorCap, PCC, PhaseCap, PhaseCube, PhaseMod, PhiCap, SIFERRIT, SIFI, SIKOREL, SilverCap, SIMDAD, SiMic, SIMID, SineFormer, SIOV, SIP5D, SIP5K, ThermoFuse, WindCap are **trademarks registered or pending** in Europe and in other countries. Further information will be found on the Internet at www.epcos.com/trademarks.

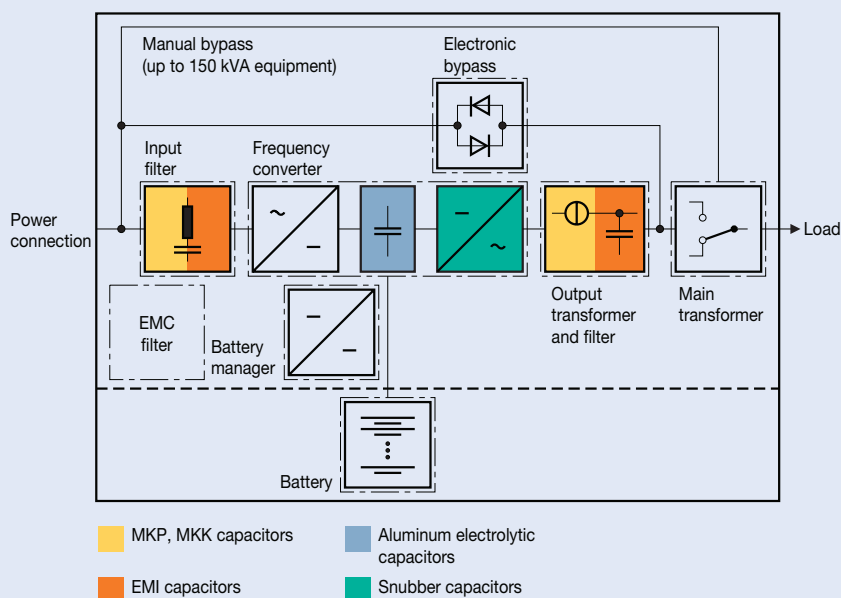
Power Capacitors for UPS Systems and Filter Applications

Benefits


- Resin filling, non-PCB, soft polyurethane
- Safety device: overpressure disconnecter, self-healing properties
- Mounting and grounding by stud on bottom of aluminum can
- Naturally air-cooled or forced air cooling
- Indoor mounting
- Reference standards IEC1071
- UL approval file E106388



Block diagram of capacitors needed in state-of-the-art UPS systems



Characteristics

| Series | | Technical data | Features | Type |
|--------|---|---|--|--|
| MKP AC |  | C_R : 3 ... 600 μ F V_{RMS} : 250 ... 600 V AC T_{op} : -40 ... +70 °C Five different terminal types IEC1071, UL E106388 approved | High peak current capability Customized configurations Overpressure disconnecter Self-healing Aluminum can | B32360 B32361 B32362 B32363 B32364 |

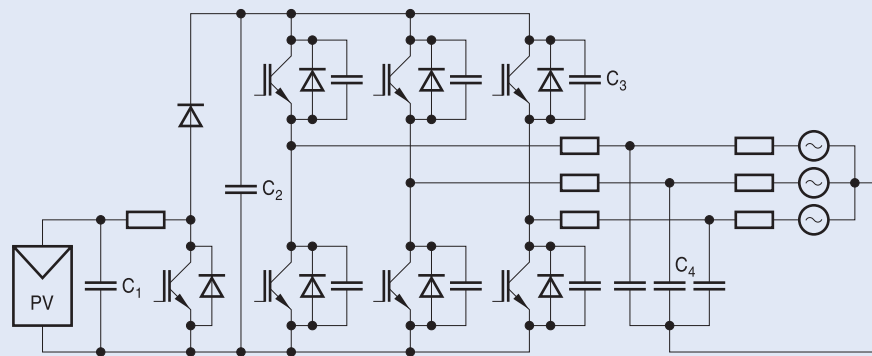
Power Capacitors for Solar Inverter in Photovoltaic Systems

Benefits




- Overvoltage and overcurrent protection
- Long-term stability and reliability
- Approved materials and components acc. to UL
- Self-healing properties
- Lower equivalent serial resistance (ESR) and inductance (ESL)
- Stability of electrical parameters over time and temperature



Schematic circuit



Characteristics

| Series | Technical data | Features | Type |
|---------------------------------|--|--|--------|
| DC link capacitors | | | |
| MKP DC |  C_R : 30 ... 1500 μ F V_R : 880 ... 1320 V DC T_{op} : -55 ... +70 °C Six different terminal types IEC1071 approved | High peak current capability Customized configurations Self-healing Aluminum can | B25620 |
| | | | B25621 |
| | | | B25622 |
| | | | B25623 |
| | | | B25624 |
| | | | B25625 |
| MKP DC LSI |  C_R : 50 ... 280 μ F V_R : 600 ... 1200 V DC T_{op} : -55 ... +70 °C Different terminal types IEC1071 approved | High peak current capability Customized configurations Self-healing Low self inductance Plastic can | B25630 |
| | | | B25631 |
| | | | B25632 |
| | | | B25633 |
| | | | B25634 |
| | | | B25635 |
| Output filter capacitors | | | |
| MKP AC |  C_R : 3 ... 600 μ F V_{RMS} : 250 ... 600 V AC T_{op} : -40 ... +70 °C Five different terminal types IEC1071, UL E106388 approved | High peak current capability Customized configurations Overpressure disconnecter Self-healing Aluminum can | B32360 |
| | | | B32361 |
| | | | B32362 |
| | | | B32363 |
| | | | B32364 |

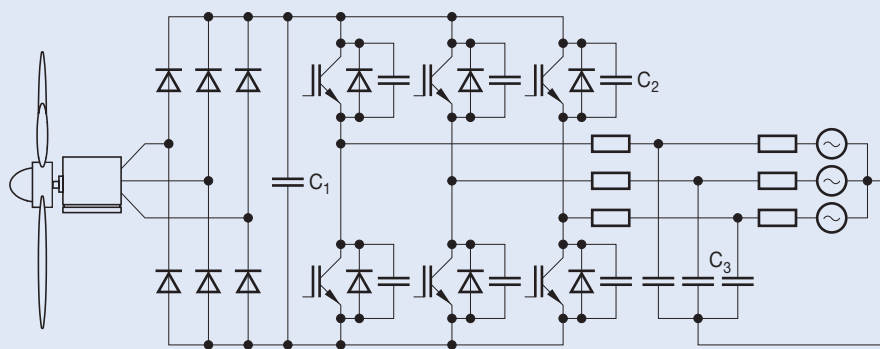
Power Capacitors for Wind Power Generation

Benefits




- Overvoltage and overcurrent protection
- Long-term stability and reliability
- Approved materials and components acc. to UL
- Self-healing properties
- Lower equivalent serial resistance (ESR) and inductance (ESL)
- Stability of electrical parameters over time and temperature



Schematic circuit



Characteristics

| Series | Technical data | Features | Type |
|---------------------------------|--|--|--|
| DC link capacitors | | | |
| MKP DC |  <p> C_R: 30 ... 1500 μF V_R: 880 ... 1320 V DC T_{op}: -55 ... +70 °C Six different terminal types IEC1071 approved </p> | High peak current capability Customized configurations Self-healing Aluminum can | B25620 B25621 B25622 B25623 B25624 B25625 |
| MKP DC LSI |  <p> C_R: 50 ... 280 μF V_R: 600 ... 1200 V DC T_{op}: -55 ... +70 °C Different terminal types IEC1071 approved </p> | High peak current capability Customized configurations Self-healing Low self inductance Plastic can | B25630 B25631 B25632 B25633 B25634 B25635 |
| Output filter capacitors | | | |
| MKP AC |  <p> C_R: 3 ... 600 μF V_{RMS}: 250 ... 600 V AC T_{op}: -40 ... +70 °C Five different terminal types IEC1071, UL E106388 approved </p> | High peak current capability Customized configurations Overpressure disconnecter Self-healing Aluminum can | B32360 B32361 B32362 B32363 B32364 |
| MKP AC HP |  <p> C_R: 10 ... 150 μF V_{RMS}: 550 ... 1000 V AC T_{op}: -40 ... +70 °C Different terminal types IEC1071 approved </p> | High peak current capability Customized configurations Overpressure disconnecter Self-healing Oil impregnation Aluminum can | B25360 B25361 B25362 B25363 B25364 |

Technical Data for MKP DC Capacitors



| Characteristics | | | | | | | | |
|----------------------------------|------------------------|-----------------------|----------------------------|-------------------|---------------------|-------------------------|-----------------|-----------------|
| V_R V DC | C_R μF | I_{max} A | \hat{I}_{pk} A | \hat{I}_s kA | R_s m Ω | L_{self} nH | D x H mm | Ordering code * |
| MKP DC series: B25620 ... B25625 | | | | | | | | |
| 880 | 160 | 40 | 640 | 2.6 | 2.2 | ≤ 80 | 75 x 70 | B2562+B0167K881 |
| | 220 | 50 | 880 | 3.5 | 1.9 | ≤ 60 | 85 x 70 | B2562+B0227K881 |
| | 260 | 45 | 1040 | 4.2 | 2.8 | ≤ 80 | 75 x 95 | B2562+B0267K881 |
| | 350 | 50 | 1400 | 5.6 | 2.4 | ≤ 60 | 85 x 95 | B2562+B0357K881 |
| | 400 | 45 | 1600 | 6.4 | 3.8 | ≤ 80 | 75 x 132 | B2562+B0407K881 |
| | 440 | 65 | 1760 | 7.0 | 1.5 | ≤ 60 | 116 x 70 | B2562+B0447K882 |
| | 480 | 55 | 1920 | 7.7 | 2.8 | ≤ 60 | 85 x 120 | B2562+B0487K881 |
| | 550 | 50 | 2200 | 8.8 | 3.0 | ≤ 60 | 85 x 132 | B2562+B0557K881 |
| | 700 | 70 | 2800 | 11.2 | 1.7 | ≤ 60 | 116 x 95 | B2562+B0707K882 |
| | 750 | 55 | 3000 | 12.0 | 3.7 | ≤ 60 | 85 x 173 | B2562+B0757K881 |
| | 970 | 75 | 3880 | 15.5 | 1.9 | ≤ 60 | 116 x 120 | B2562+B0977K882 |
| | 1100 | 75 | 4400 | 17.6 | 2.0 | ≤ 60 | 116 x 132 | B2562+B0118K882 |
| | 1500 | 80 | 6000 | 24.0 | 2.4 | ≤ 60 | 116 x 173 | B2562+B0158K882 |
| 1100 | 100 | 35 | 400 | 1.6 | 2.5 | ≤ 80 | 75 x 70 | B2562+B1107K101 |
| | 140 | 45 | 560 | 2.2 | 2.1 | ≤ 60 | 85 x 70 | B2562+B1147K101 |
| | 170 | 40 | 680 | 2.7 | 3.2 | ≤ 80 | 75 x 95 | B2562+B1177K101 |
| | 230 | 40 | 920 | 3.7 | 4.1 | ≤ 80 | 75 x 120 | B2562+B1237K101 |
| | 260 | 40 | 1040 | 4.2 | 4.4 | ≤ 80 | 75 x 132 | B2562+B1267K101 |
| | 280 | 60 | 1120 | 4.5 | 1.6 | ≤ 60 | 116 x 70 | B2562+B1287K102 |
| | 310 | 50 | 1240 | 5.0 | 3.2 | ≤ 60 | 85 x 120 | B2562+B1317K101 |
| | 350 | 40 | 1400 | 5.6 | 5.6 | ≤ 80 | 75 x 173 | B2562+B1357K101 |
| | 400 | 55 | 1600 | 6.4 | 2.4 | ≤ 60 | 85 x 132 | B2562+B1407K101 |
| | 420 | 55 | 1680 | 6.7 | 2.2 | ≤ 60 | 85 x 135 | B2562+B1427A101 |
| | 450 | 65 | 1800 | 7.2 | 1.9 | ≤ 60 | 116 x 95 | B2562+B1457K102 |
| | 480 | 50 | 1920 | 7.7 | 4.3 | ≤ 60 | 85 x 173 | B2562+B1487K101 |
| | 610 | 70 | 2440 | 9.8 | 2.2 | ≤ 60 | 116 x 120 | B2562+B1617K102 |
| | 700 | 70 | 2800 | 11.2 | 2.3 | ≤ 60 | 116 x 132 | B2562+B1707K102 |
| | 940 | 70 | 3760 | 15.0 | 1.6 | ≤ 60 | 116 x 173 | B2562+B1947K102 |
| 1100 | 80 | 4400 | 17.6 | 1.5 | ≤ 100 | 116 x 223 | B2562+B1118K103 | |
| 1320 | 70 | 35 | 280 | 1.1 | 2.8 | ≤ 80 | 75 x 70 | B2562+B1706K321 |
| | 110 | 35 | 440 | 1.8 | 3.8 | ≤ 80 | 75 x 95 | B2562+B1117K321 |
| | 160 | 40 | 640 | 2.6 | 4.6 | ≤ 80 | 75 x 120 | B2562+B1167K321 |
| | 180 | 40 | 720 | 2.9 | 5.1 | ≤ 80 | 75 x 132 | B2562+B1187K321 |
| | 220 | 45 | 880 | 3.5 | 3.6 | ≤ 60 | 85 x 120 | B2562+B1227K321 |
| | 260 | 45 | 1040 | 4.2 | 3.9 | ≤ 60 | 85 x 132 | B2562+B1267K321 |
| | 310 | 65 | 1240 | 5.0 | 2.0 | ≤ 60 | 116 x 95 | B2562+B1317K322 |
| | 340 | 50 | 1360 | 5.4 | 4.9 | ≤ 60 | 85 x 173 | B2562+B1347K321 |
| | 420 | 65 | 1680 | 6.7 | 2.4 | ≤ 60 | 116 x 120 | B2562+B1427K322 |
| | 480 | 70 | 1920 | 7.7 | 2.6 | ≤ 60 | 116 x 132 | B2562+B1487K322 |
| | 660 | 70 | 2640 | 10.5 | 3.1 | ≤ 60 | 116 x 173 | B2562+B1667K322 |

* Replace the + by the code letter of terminal type:

0 = Female M6 1 = Male M6
 2 = Female M8 3 = Male M8
 4 = Female M10 5 = Male M10

Technical Data for MKP DC LSI Capacitors



Characteristics

| V_R V DC | C_R μF | I_{max} A | \hat{I}_{pk} A | \hat{I}_S kA | R_S $\text{m}\Omega$ | L_{self} nH | R_{th} $^{\circ}\text{C/W}$ | D x H mm | Ordering code * |
|--------------------------------------|------------------------|-----------------------|----------------------------|-------------------|---------------------------|-------------------------|---|-------------|-----------------|
| MKP DC LSI series: B25630 ... B25635 | | | | | | | | | |
| 600 | 200 | 55 | 4.0 | 12.0 | 1.2 | 20 | 4.2 | 85 x 50 | B2563+A0207K600 |
| | 280 | 65 | 3.7 | 11.1 | 1.2 | 30 | 5.5 | 85 x 65 | B2563+A0287K600 |
| 700 | 150 | 55 | 3.4 | 10.2 | 1.2 | 20 | 4.2 | 85 x 50 | B2563+A0157K700 |
| | 220 | 65 | 3.3 | 9.9 | 1.2 | 30 | 5.5 | 85 x 65 | B2563+A0227K700 |
| 800 | 120 | 55 | 3.0 | 9.0 | 1.2 | 20 | 4.2 | 85 x 50 | B2563+A0127K800 |
| | 180 | 65 | 3.0 | 9.0 | 1.2 | 30 | 5.5 | 85 x 65 | B2563+A0187K800 |
| 900 | 100 | 55 | 2.8 | 8.4 | 1.3 | 20 | 4.2 | 85 x 50 | B2563+A0107K900 |
| | 140 | 60 | 2.7 | 8.1 | 1.4 | 30 | 5.5 | 85 x 65 | B2563+A0147K900 |
| 1000 | 75 | 50 | 2.4 | 7.2 | 1.4 | 20 | 4.2 | 85 x 50 | B2563+A1756K000 |
| | 110 | 60 | 2.3 | 6.9 | 1.4 | 30 | 5.5 | 85 x 65 | B2563+A1117K000 |
| 1100 | 70 | 50 | 2.1 | 6.3 | 1.5 | 20 | 4.2 | 85 x 50 | B2563+A1706K100 |
| | 100 | 60 | 2.1 | 6.6 | 1.5 | 30 | 5.5 | 85 x 65 | B2563+A1107K100 |
| 1200 | 50 | 50 | 2.0 | 6.0 | 1.6 | 20 | 4.2 | 85 x 50 | B2563+A1506K200 |
| | 80 | 60 | 2.0 | 6.0 | 1.8 | 30 | 5.5 | 85 x 65 | B2563+A1806K200 |

* Replace the + by the code letter of terminal type:
1 = Male M8 2 = Female M5

Technical Data for MKP AC Capacitors



| Characteristics | | | | | | | | |
|--|------------------|----------------|---------------------|-------------------|---------------------|------------------|-----------------|-----------------|
| V_{AC}/V_{RMS} | C_R μF | I_{max} A | \hat{I}_{pk} A | \hat{I}_s kA | R_s m Ω | L_{self} nH | D × H mm | Ordering code |
| MKP AC B32360 series with Fast-on terminals | | | | | | | | |
| 350/250 | 10 | 10 | 300 | 0.9 | 6.9 | 170 | 40.0 × 68 | B32360A2106J050 |
| | 15 | 12 | 450 | 1.3 | 5.6 | 170 | 40.0 × 68 | B32360A2156J050 |
| | 20 | 10 | 500 | 1.5 | 5.4 | 170 | 40.0 × 68 | B32360A2206J050 |
| | 25 | 12 | 600 | 1.9 | 6.8 | 170 | 40.0 × 80 | B32360B2256J050 |
| | 30 | 15 | 750 | 2.2 | 4.6 | 170 | 53.0 × 70 | B32360A2306J050 |
| | 40 | 16 | 1000 | 3.0 | 4.2 | 170 | 53.0 × 70 | B32360A2406J050 |
| | 50 | 16 | 900 | 2.8 | 5.1 | 190 | 53.0 × 82 | B32360A2506J050 |
| | 60 | 16 | 1100 | 3.3 | 4.8 | 190 | 53.0 × 82 | B32360A2606J050 |
| | 70 | 16 | 1300 | 3.8 | 4.6 | 190 | 63.5 × 82 | B32360A2706J050 |
| | 80 | 16 | 1500 | 4.4 | 4.4 | 190 | 63.5 × 82 | B32360A2806J050 |
| | 100 | 16 | 1200 | 3.6 | 6.0 | 210 | 63.5 × 107 | B32360A2107J050 |
| 150 | 16 | 1300 | 4.0 | 7.0 | 250 | 63.5 × 132 | B32360B2157J050 | |
| MKP AC B32361 series with M6 screw terminals | | | | | | | | |
| 350/250 | 50 | 25 | 1250 | 3.8 | 3.7 | 195 | 63.5 × 70 | B32361A2506J050 |
| | 60 | 25 | 1500 | 4.5 | 3.6 | 195 | 63.5 × 70 | B32361A2606J050 |
| | 70 | 25 | 1300 | 3.8 | 4.2 | 220 | 63.5 × 82 | B32361A2706J050 |
| | 80 | 25 | 1500 | 4.4 | 4.1 | 220 | 63.5 × 82 | B32361A2806J050 |
| | 100 | 25 | 1200 | 3.6 | 5.5 | 225 | 63.5 × 107 | B32361A2107J050 |
| | 150 | 25 | 1300 | 4.0 | 6.3 | 265 | 63.5 × 132 | B32361A2157J050 |
| | 200 | 25 | 1600 | 4.8 | 6.3 | 275 | 63.5 × 142 | B32361B2207J050 |
| MKP AC B32362 series with M10 screw terminals | | | | | | | | |
| 350/250 | 150 | 35 | 1800 | 5.4 | 2.5 | 185 | 75.0 × 117 | B32362A2157J050 |
| | 200 | 50 | 2400 | 7.2 | 2.1 | 185 | 85.0 × 117 | B32362B2207J050 |
| | 250 | 40 | 2000 | 6.0 | 3.0 | 210 | 75.0 × 152 | B32362A2257J050 |
| | 300 | 50 | 3600 | 10.8 | 1.7 | 200 | 75.0 × 197 | B32362A2307J050 |
| | 400 | 50 | 4800 | 14.4 | 1.5 | 200 | 85.0 × 197 | B32362A2407J050 |
| | 500 | 50 | 4400 | 13.3 | 1.9 | 230 | 85.0 × 247 | B32362B2507J050 |
| | 600 | 50 | 5300 | 16.0 | 1.8 | 230 | 85.0 × 247 | B32362B2607J050 |
| MKP AC B32364 series with M8 screw terminals | | | | | | | | |
| 350/250 | 60 | 25 | 1520 | 4.6 | 2.3 | 170 | 63.5 × 70 | B32364A2606J050 |
| | 80 | 25 | 1480 | 4.4 | 2.7 | 180 | 63.5 × 82 | B32364A2806J050 |
| | 100 | 25 | 1200 | 3.6 | 3.8 | 200 | 63.5 × 107 | B32364A2107J050 |
| | 150 | 35 | 1800 | 5.4 | 3.1 | 210 | 75.0 × 117 | B32364A2157J050 |
| | 200 | 35 | 1777 | 5.3 | 3.7 | 230 | 75.0 × 142 | B32364B2207J050 |
| | 250 | 35 | 2000 | 6.0 | 3.8 | 240 | 75.0 × 152 | B32364A2257J050 |
| | 300 | 35 | 3600 | 10.8 | 2.5 | 240 | 75.0 × 197 | B32364A2307J050 |

Technical Data for MKP AC Capacitors



Characteristics

| V_{AC}/V_{RMS} | C_R μF | I_{max} A | \hat{I}_{pk} A | \hat{I}_s kA | R_s m Ω | L_{self} nH | D x H mm | Ordering code |
|--|------------------|----------------|---------------------|-------------------|---------------------|------------------|-----------------|-----------------|
| MKP AC B32360 series with Fast-on terminals | | | | | | | | |
| 460/330 | 10 | 12 | 300 | 0.9 | 6.9 | 170 | 53.0 x 70 | B32360A3106J030 |
| | 15 | 12 | 450 | 1.3 | 5.6 | 170 | 53.0 x 70 | B32360A3156J030 |
| | 20 | 13 | 600 | 1.8 | 5.0 | 170 | 53.0 x 70 | B32360A3206J030 |
| | 25 | 15 | 750 | 2.3 | 4.6 | 170 | 53.0 x 70 | B32360A3256J030 |
| | 30 | 15 | 650 | 2.0 | 5.7 | 190 | 53.0 x 82 | B32360A3306J030 |
| | 40 | 15 | 850 | 2.7 | 5.1 | 190 | 53.0 x 82 | B32360B3406J030 |
| | 50 | 15 | 700 | 2.2 | 7.3 | 210 | 53.0 x 107 | B32360A3506J030 |
| | 60 | 16 | 850 | 2.6 | 6.8 | 210 | 53.0 x 107 | B32360B3606J030 |
| | 70 | 16 | 1000 | 3.0 | 6.4 | 210 | 63.5 x 107 | B32360A3706J030 |
| | 80 | 16 | 1150 | 3.5 | 6.1 | 210 | 63.5 x 107 | B32360A3806J030 |
| 100 | 16 | 1050 | 3.2 | 7.6 | 250 | 63.5 x 132 | B32360B3107J030 | |
| MKP AC B32361 series with M6 screw terminals | | | | | | | | |
| 460/330 | 50 | 18 | 920 | 2.7 | 4.4 | 220 | 63.5 x 82 | B32361B3506J030 |
| | 60 | 18 | 720 | 2.1 | 6.2 | 225 | 63.5 x 107 | B32361A3606J030 |
| | 70 | 20 | 840 | 2.5 | 5.8 | 225 | 63.5 x 107 | B32361A3706J030 |
| | 80 | 25 | 960 | 2.8 | 5.5 | 225 | 63.5 x 107 | B32361A3806J030 |
| | 100 | 25 | 880 | 2.6 | 6.9 | 265 | 63.5 x 132 | B32361B3107J030 |
| MKP AC B32362 series with M10 screw terminals | | | | | | | | |
| 460/330 | 100 | 30 | 1450 | 4.3 | 2.8 | 185 | 75.0 x 117 | B32362A3107J030 |
| | 150 | 30 | 1450 | 4.3 | 3.7 | 210 | 75.0 x 152 | B32362A3157J030 |
| | 200 | 40 | 1900 | 5.8 | 3.1 | 210 | 85.0 x 152 | B32362B3207J030 |
| | 250 | 50 | 3600 | 10.8 | 1.7 | 200 | 85.0 x 197 | B32362A3257J030 |
| | 300 | 50 | 4300 | 12.9 | 1.6 | 200 | 85.0 x 197 | B32362A3307J030 |
| | 400 | 50 | 3850 | 11.6 | 2.1 | 240 | 85.0 x 267 | B32362A3407J030 |
| MKP AC B32364 series with M8 screw terminals | | | | | | | | |
| 460/330 | 50 | 25 | 1110 | 3.3 | 3.0 | 180 | 63.5 x 82 | B32364A3506J030 |
| | 80 | 25 | 1150 | 3.5 | 3.9 | 200 | 63.5 x 107 | B32364A3806J030 |
| | 100 | 30 | 1440 | 4.3 | 3.4 | 210 | 75.0 x 117 | B32364B3107J030 |
| | 150 | 30 | 1450 | 4.3 | 4.5 | 240 | 75.0 x 152 | B32364A3157J030 |
| | 200 | 35 | 2880 | 8.6 | 2.6 | 240 | 75.0 x 197 | B32364A3207J030 |

Technical Data for MKP AC Capacitors



| Characteristics | | | | | | | | |
|--|------------------|----------------|---------------------|-------------------|---------------------|------------------|-----------------|-----------------|
| V_{AC}/V_{RMS} | C_R μF | I_{max} A | \hat{I}_{pk} A | \hat{I}_s kA | R_s m Ω | L_{self} nH | D x H mm | Ordering code |
| MKP AC B32360 series with Fast-on terminals | | | | | | | | |
| 680/480 | 3 | 6 | 120 | 0.4 | 12.9 | 170 | 40.0 x 68 | B32360A4305J080 |
| | 5 | 8 | 200 | 0.6 | 8.9 | 170 | 40.0 x 68 | B32360A4505J080 |
| | 10 | 10 | 400 | 1.2 | 6.0 | 170 | 53.0 x 70 | B32360A4106J080 |
| | 15 | 15 | 600 | 1.8 | 5.0 | 170 | 53.0 x 70 | B32360A4156J080 |
| | 20 | 15 | 600 | 1.7 | 6.0 | 190 | 53.0 x 82 | B32360A4206J080 |
| | 25 | 15 | 500 | 1.4 | 9.0 | 210 | 53.0 x 107 | B32360A4256J080 |
| | 30 | 15 | 600 | 1.7 | 8.2 | 210 | 53.0 x 107 | B32360A4306J080 |
| | 40 | 16 | 750 | 2.3 | 7.1 | 210 | 63.5 x 107 | B32360A4406J080 |
| | 50 | 16 | 950 | 2.9 | 6.5 | 210 | 63.5 x 107 | B32360A4506J080 |
| | 60 | 16 | 850 | 2.6 | 8.4 | 250 | 63.5 x 132 | B32360A4606J080 |
| 70 | 16 | 900 | 2.7 | 8.8 | 265 | 63.5 x 142 | B32360A4706J080 | |
| MKP AC B32361 series with M6 screw terminals | | | | | | | | |
| 680/480 | 20 | 20 | 800 | 2.4 | 4.3 | 195 | 63.5 x 70 | B32361A4206J080 |
| | 25 | 25 | 750 | 2.2 | 5.2 | 220 | 63.5 x 82 | B32361A4256J080 |
| | 30 | 25 | 800 | 2.6 | 4.8 | 220 | 63.5 x 82 | B32361A4306J080 |
| | 40 | 20 | 750 | 2.3 | 6.6 | 225 | 63.5 x 107 | B32361A4406J080 |
| | 50 | 25 | 950 | 2.9 | 6.0 | 225 | 63.5 x 107 | B32361A4506J080 |
| | 60 | 25 | 850 | 2.6 | 7.7 | 265 | 63.5 x 132 | B32361A4606J080 |
| | 70 | 25 | 900 | 2.7 | 8.0 | 275 | 63.5 x 142 | B32361A4706J080 |
| MKP AC B32362 series with M10 screw terminals | | | | | | | | |
| 680/480 | 60 | 30 | 1150 | 3.4 | 3.2 | 185 | 75.0 x 117 | B32362A4606J080 |
| | 70 | 50 | 2050 | 6.2 | 1.7 | 180 | 75.0 x 147 | B32362A4706J080 |
| | 80 | 50 | 1350 | 7.1 | 1.6 | 180 | 75.0 x 147 | B32362A4806J080 |
| | 100 | 50 | 1900 | 5.7 | 2.3 | 200 | 75.0 x 197 | B32362A4107J080 |
| | 150 | 50 | 2850 | 8.6 | 1.9 | 200 | 85.0 x 197 | B32362A4157J080 |
| | 200 | 50 | 2850 | 8.5 | 2.3 | 230 | 85.0 x 247 | B32362A4207J080 |
| | 250 | 50 | 3200 | 9.6 | 2.3 | 240 | 85.0 x 267 | B32362A4257J080 |
| MKP AC B32364 series with M8 screw terminals | | | | | | | | |
| 680/480 | 30 | 20 | 890 | 2.7 | 3.4 | 180 | 63.5 x 82 | B32364A4306J080 |
| | 50 | 20 | 960 | 2.9 | 4.3 | 200 | 63.5 x 107 | B32364A4506J080 |
| | 60 | 25 | 1150 | 3.5 | 3.9 | 210 | 75.0 x 117 | B32364A4606J080 |
| | 80 | 35 | 2368 | 7.1 | 2.2 | 210 | 75.0 x 147 | B32364A4806J080 |
| | 100 | 35 | 1921 | 5.8 | 3.1 | 240 | 75.0 x 197 | B32364B4107J080 |

Technical Data for MKP AC HP Capacitors



Characteristics

| V_{RMS} | C_R μF | I_{max} A | \hat{I}_{pk} A | \hat{I}_s kA | D x H mm | Ordering code * |
|--|------------------|----------------|---------------------|-------------------|-------------|-----------------|
| MKP AC HP series: B25360 ... B25364 | | | | | | |
| 550 | 33 | 45 | 1.9 | 5.6 | 75 x 115 | B25360A5336J050 |
| | 47 | 50 | 1.9 | 5.7 | 75 x 140 | B25360A5476J050 |
| | 68 | 50 | 3.8 | 11.6 | 75 x 195 | B25360A5686J050 |
| | 95 | 60 | 3.8 | 11.5 | 75 x 245 | B25360A5956J050 |
| | 130 | 60 | 5.2 | 15.7 | 85 x 245 | B25360A5137J050 |
| | 150 | 60 | 5.2 | 15.8 | 85 x 270 | B25360A5157J050 |
| 640 | 22 | 40 | 1.5 | 4.5 | 75 x 115 | B25360A6226J040 |
| | 33 | 45 | 1.6 | 4.8 | 75 x 140 | B25360A6336J040 |
| | 50 | 50 | 3.2 | 9.6 | 75 x 195 | B25360A6506J040 |
| | 68 | 60 | 3.3 | 9.8 | 75 x 245 | B25360A6686J040 |
| | 90 | 60 | 4.3 | 13.1 | 85 x 245 | B25360A6906J040 |
| | 100 | 60 | 4.2 | 12.6 | 85 x 270 | B25360A6107J040 |
| 780 | 15 | 35 | 1.2 | 3.6 | 75 x 115 | B25360A7156J080 |
| | 22 | 40 | 1.2 | 3.7 | 75 x 140 | B25360A7226J080 |
| | 33 | 50 | 2.6 | 7.9 | 75 x 195 | B25360A7336J080 |
| | 47 | 55 | 2.6 | 7.9 | 75 x 245 | B25360A7476J080 |
| | 75 | 60 | 3.7 | 11.1 | 85 x 270 | B25360A7756J080 |
| 1000 | 10 | 30 | 1.2 | 3.6 | 75 x 115 | B25360A1106J100 |
| | 20 | 40 | 1.5 | 5.0 | 75 x 140 | B25360A1206J100 |
| | 33 | 50 | 2.9 | 8.7 | 75 x 245 | B25360A1336J100 |
| | 47 | 60 | 4.1 | 12.4 | 85 x 245 | B25360A1476J100 |
| | 55 | 60 | 4.3 | 12.8 | 85 x 270 | B25360A1556J100 |

* Terminal type: Male M10



Компания «ЭлектроПласт» предлагает заключение долгосрочных отношений при поставках импортных электронных компонентов на взаимовыгодных условиях!

Наши преимущества:

- Оперативные поставки широкого спектра электронных компонентов отечественного и импортного производства напрямую от производителей и с крупнейших мировых складов;
- Поставка более 17-ти миллионов наименований электронных компонентов;
- Поставка сложных, дефицитных, либо снятых с производства позиций;
- Оперативные сроки поставки под заказ (от 5 рабочих дней);
- Экспресс доставка в любую точку России;
- Техническая поддержка проекта, помощь в подборе аналогов, поставка прототипов;
- Система менеджмента качества сертифицирована по Международному стандарту ISO 9001;
- Лицензия ФСБ на осуществление работ с использованием сведений, составляющих государственную тайну;
- Поставка специализированных компонентов (Xilinx, Altera, Analog Devices, Intersil, Interpoint, Microsemi, Aeroflex, Peregrine, Syfer, Eurofarad, Texas Instrument, Miteq, Cobham, E2V, MA-COM, Hittite, Mini-Circuits, General Dynamics и др.);

Помимо этого, одним из направлений компании «ЭлектроПласт» является направление «Источники питания». Мы предлагаем Вам помощь Конструкторского отдела:

- Подбор оптимального решения, техническое обоснование при выборе компонента;
- Подбор аналогов;
- Консультации по применению компонента;
- Поставка образцов и прототипов;
- Техническая поддержка проекта;
- Защита от снятия компонента с производства.



Как с нами связаться

Телефон: 8 (812) 309 58 32 (многоканальный)

Факс: 8 (812) 320-02-42

Электронная почта: org@eplast1.ru

Адрес: 198099, г. Санкт-Петербург, ул. Калинина, дом 2, корпус 4, литера А.