

The 9850 Gen II Series offers a highly reliable rotary potentiometer sensor module that can be easily integrated into a wide variety of space-conscious applications requiring installation simplicity, long service life and repeatable accuracy. The 9850 Gen II Series introduces a new, lower profile (15.2mm; maximum connector receptacle height 25.9mm), designed to perform in demanding environments.

Manufactured for optimal cost-economies, the 9850 Gen II Series offers simple yet durable design strengths that can lead to significant systems costs savings. Plug-in simplicity and sealed connector contact is assured via an integral right-angle connector receptacle designed to accept industry-standard Packard Electric METRI-Pack™ connectors. This design also eliminates weak/stress points and leaks in exposure to water.

Twelve standard models offer a choice of 180° or 120° mechanical rotation with round or slotted mounting holes for optimal installation alignment.

## Electrical Specifications

Active Electrical Rotation: 85° or 130° Single Output (See Fig. 1)  
85° Dual Output

Total Resistance: 5,000 ohms ±20%

Linearity: Std. ±2.0% over active electrical rotation (See Fig. 1)  
(Independent) Spec. ±0.5% over active electrical rotation

Power Rating At 70°C: 0.15 Watts

## Mechanical Specifications

Mechanical Rotation (Nominal): 120°-180° single; 120° dual  
(See Table A)

Shaft Rotation/Direction: (See Table A)

Mechanical Life: 1,000,000 full cycles  
5,000,000 dither cycles

Stop Strength: 0.68 Nm max.

Torque: 0.11 Nm max.

Mounting Torque: 1.35 Nm max.

## Environmental Specifications

Temperature Limits: -40°C to +125°C

Vibration: 15 Gs, 50 to 1,000 Hz

Humidity: 95% @ 40°C

Shock: 50 Gs max.

## Options Available:

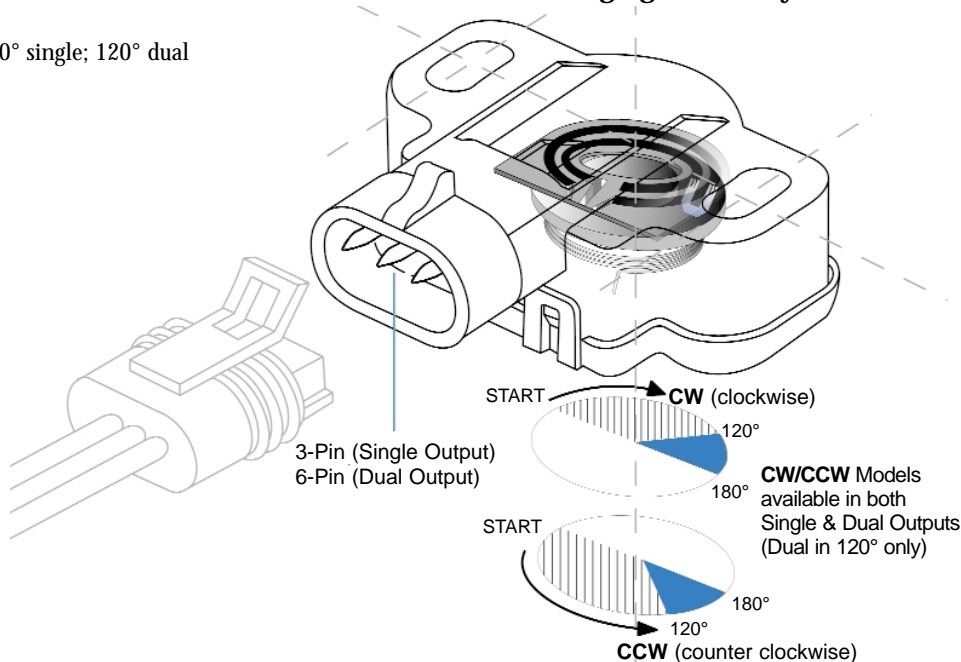
Integrated switch functions, user-specific electrical/mechanical rotation, mounting hole inserts, resistance and linearities.



## Generation II Benefits:

- Dual-output offers the added functionality of two sensors in a single sensor
- Sealed integral interface accepts industry-standard Packard Electric METRI-Pack™ connectors
- Low-profile design answers space-conscious applications
- Additional mechanical rotation angles available

## Integrates Duncan's Proprietary Thick Film Element & Precious Metal Contact Technology with Maximum Packaging Flexibility



# 9850 Gen II Series Low-Profile Precision Rotary Sensor Modules



## Models 9851-9858 – Single Output (3-Pin)



## Models 9861-9864 – Dual Output (6-Pin)



**Table A**

| Model | Mechanical Rotation | Active Electrical Rotation | Rotation* Direction | Mounting <sup>1</sup> Hole |
|-------|---------------------|----------------------------|---------------------|----------------------------|
| 9851  | 120°                | 85°                        | CW                  | S                          |
| 9852  | 120°                | 85°                        | CCW                 | S                          |
| 9853  | 120°                | 85°                        | CW                  | R                          |
| 9854  | 120°                | 85°                        | CCW                 | R                          |
| 9855  | 180°                | 130°                       | CW                  | S                          |
| 9856  | 180°                | 130°                       | CCW                 | S                          |
| 9857  | 180°                | 130°                       | CW                  | R                          |
| 9858  | 180°                | 130°                       | CCW                 | R                          |

| Model | Mechanical Rotation | Active Electrical Rotation | Rotation* Direction | Mounting <sup>1</sup> Hole |
|-------|---------------------|----------------------------|---------------------|----------------------------|
| 9861  | 120°                | 85°                        | CW                  | S                          |
| 9862  | 120°                | 85°                        | CCW                 | S                          |
| 9863  | 120°                | 85°                        | CW                  | R                          |
| 9864  | 120°                | 85°                        | CCW                 | R                          |

Single Output (3-pin)



Dual Output (6-pin)



\*Spring-Return: CW Sensors return contact to CCW end  
CCW Sensors return contact to CW end

<sup>1</sup>Mounting Hole style: S = Slotted, R = Round



Note: For rotation outside active electrical rotation, linearity may exceed specified tolerances.

**Fig. 1**

### Mating Connector/Interface Information:

Sensor mates with Packard Electric METRI-Pack™ Series 150 Connectors

### Ordering Information

**98XX**  
Model No.  
(See Table A)

**R5K**  
Standard  
Resistance

**L2.0**  
Standard  
Linearity (%)

**Example:** 9855 R5K L2.0 specifies a model 9855 (180° mechanical rotation, CW rotation direction) single output, 3-Pin Sensor Module with slotted mounting holes, standard resistance 5K ohms ±20%, Linearity ±2%.

Specifications subject to change without notice. Printed in U.S.A. BE0018-9850GII-1001  
Trademarks are the property of their respective companies.



Tel: 805-968-0782 / 800-350-2727 | Fax: 805-968-3154 / 800-960-2726  
7230 Hollister Ave., Goleta, CA 93117-2807 | [www.beisensors.com](http://www.beisensors.com)

These commodities, technology or software if exported from the United States must be in accordance with the Bureau of Industry, and Security, Export Administration regulations. Diversion contrary to U.S law is prohibited.



Компания «ЭлектроПласт» предлагает заключение долгосрочных отношений при поставках импортных электронных компонентов на взаимовыгодных условиях!

Наши преимущества:

- Оперативные поставки широкого спектра электронных компонентов отечественного и импортного производства напрямую от производителей и с крупнейших мировых складов;
- Поставка более 17-ти миллионов наименований электронных компонентов;
- Поставка сложных, дефицитных, либо снятых с производства позиций;
- Оперативные сроки поставки под заказ (от 5 рабочих дней);
- Экспресс доставка в любую точку России;
- Техническая поддержка проекта, помощь в подборе аналогов, поставка прототипов;
- Система менеджмента качества сертифицирована по Международному стандарту ISO 9001;
- Лицензия ФСБ на осуществление работ с использованием сведений, составляющих государственную тайну;
- Поставка специализированных компонентов (Xilinx, Altera, Analog Devices, Intersil, Interpoint, Microsemi, Aeroflex, Peregrine, Syfer, Eurofarad, Texas Instrument, Miteq, Cobham, E2V, MA-COM, Hittite, Mini-Circuits, General Dynamics и др.);

Помимо этого, одним из направлений компании «ЭлектроПласт» является направление «Источники питания». Мы предлагаем Вам помощь Конструкторского отдела:

- Подбор оптимального решения, техническое обоснование при выборе компонента;
- Подбор аналогов;
- Консультации по применению компонента;
- Поставка образцов и прототипов;
- Техническая поддержка проекта;
- Защита от снятия компонента с производства.



#### Как с нами связаться

**Телефон:** 8 (812) 309 58 32 (многоканальный)

**Факс:** 8 (812) 320-02-42

**Электронная почта:** [org@eplast1.ru](mailto:org@eplast1.ru)

**Адрес:** 198099, г. Санкт-Петербург, ул. Калинина, дом 2, корпус 4, литера А.