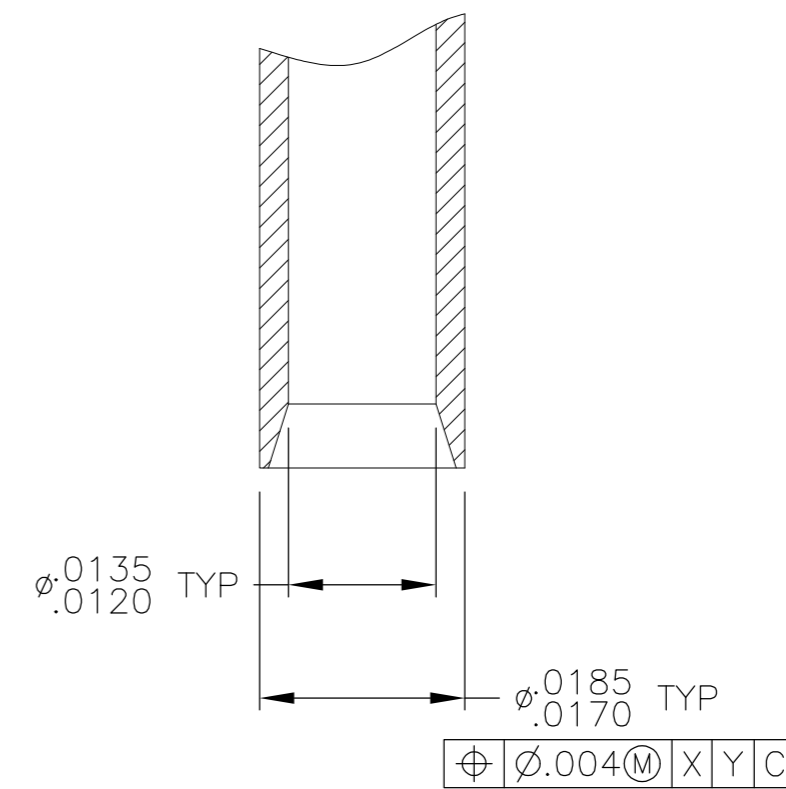
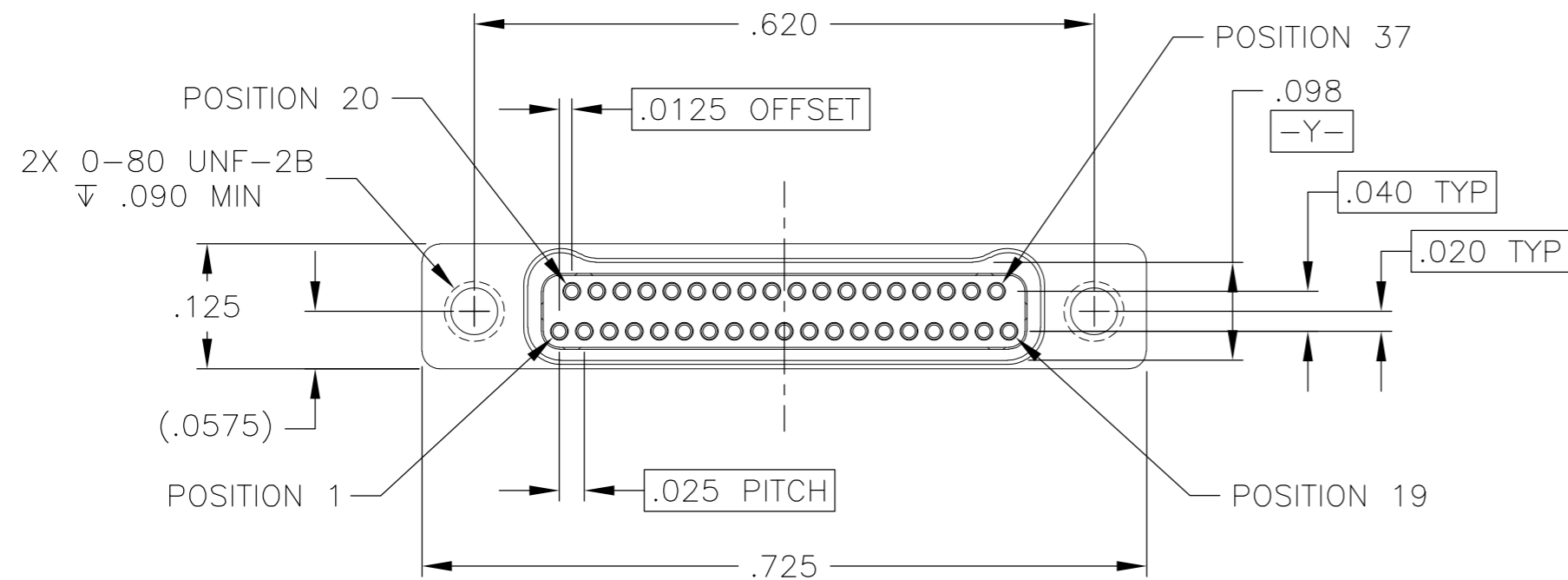
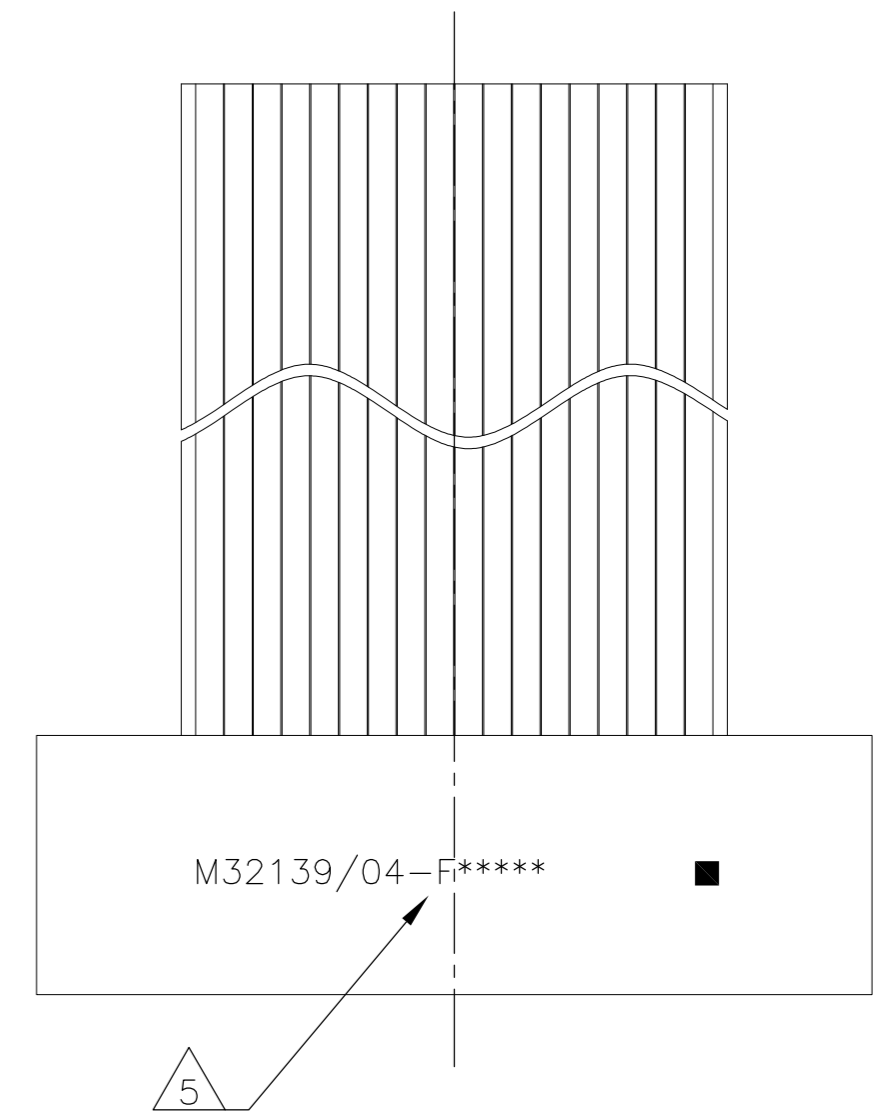
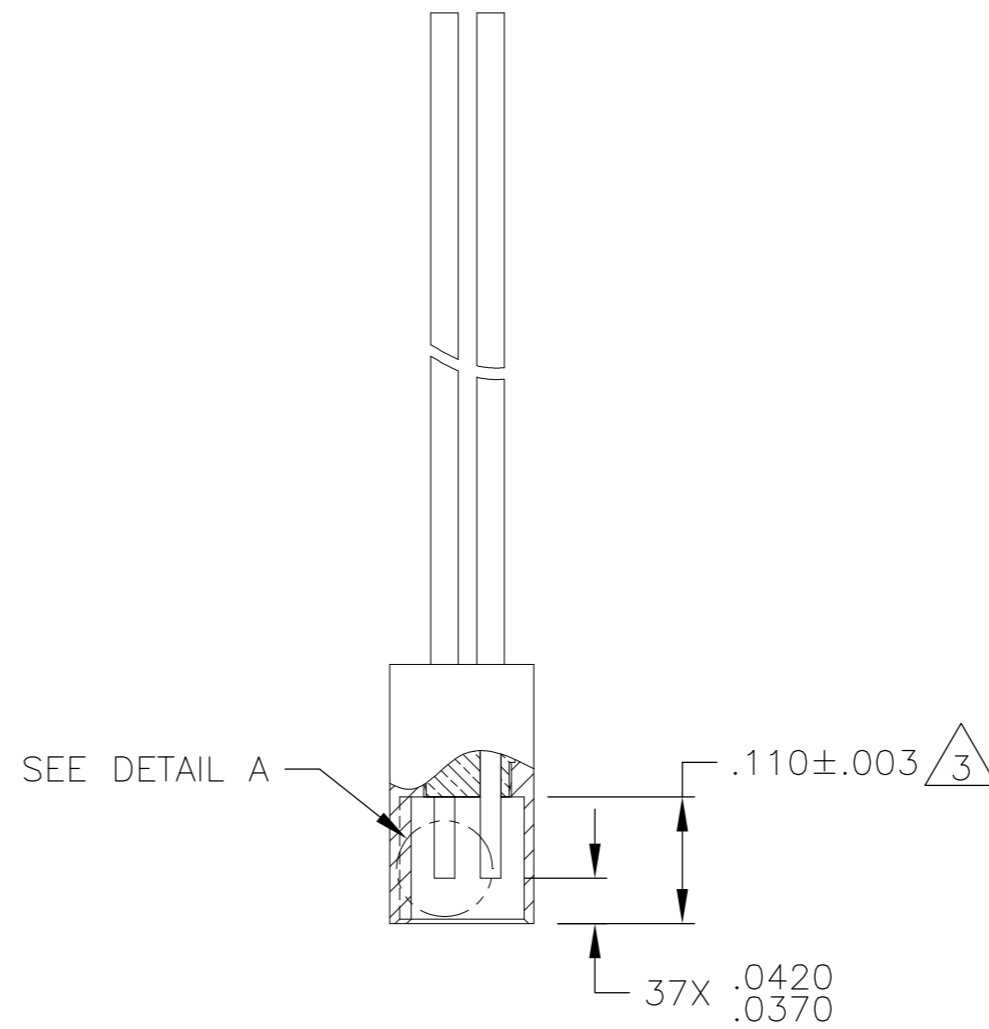
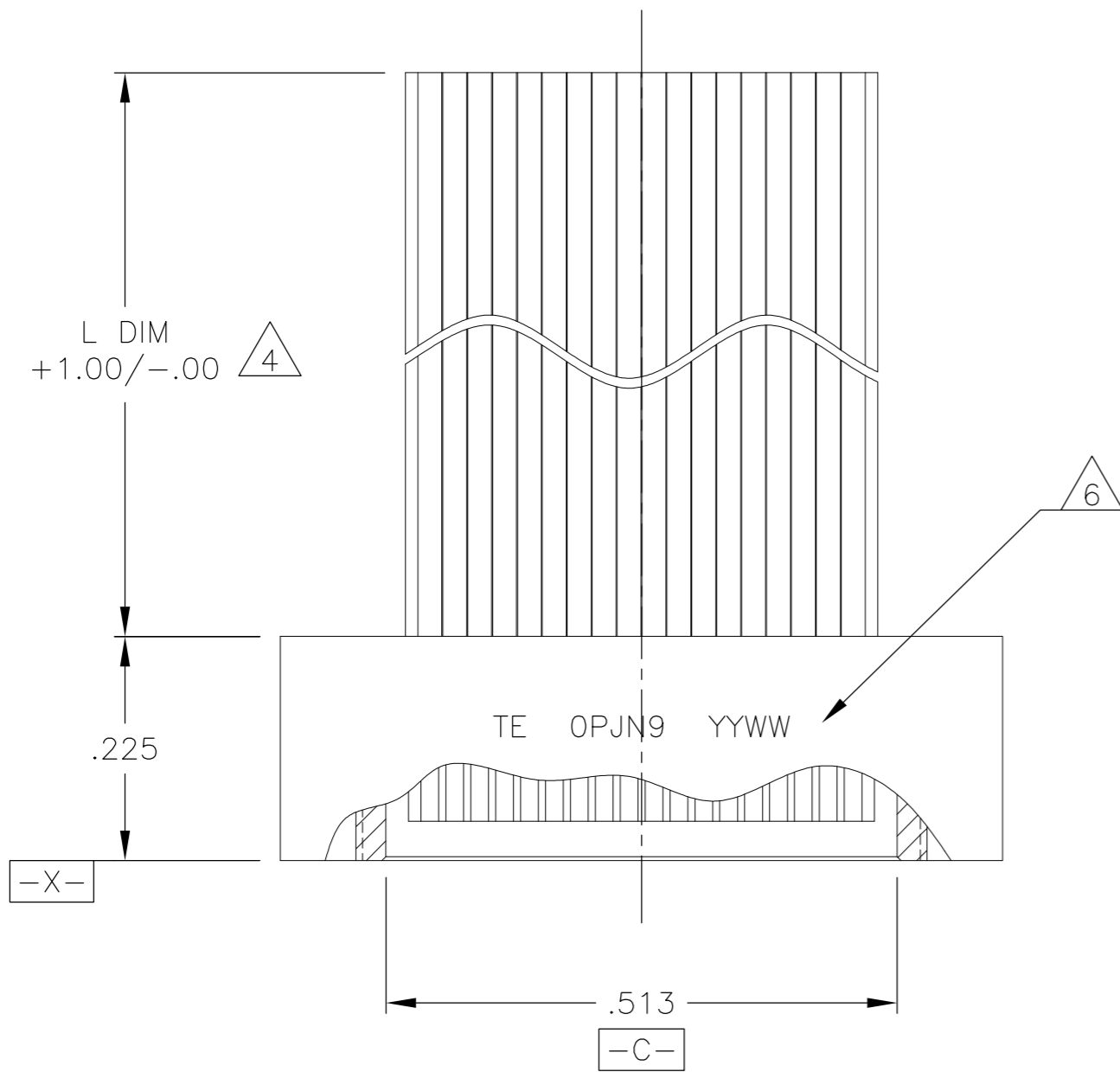


THIS DRAWING IS UNPUBLISHED. RELEASED FOR PUBLICATION
 © COPYRIGHT - By - ALL RIGHTS RESERVED.

| LOC | | DIST | | REVISIONS | | | |
|-----|-----|-----------------------|--|-----------|-----|------|--|
| P | LTR | DESCRIPTION | | DATE | DWN | APVD | |
| B | | REV PER ECO 15-007382 | | 5-18-15 | CT | RL | |



- 1 ALL DIMENSIONS, MATERIALS, AND FINISHES ARE IN ACCORDANCE WITH MIL-DTL-32139 AND MIL-DTL-32139/4
- 2 SEE SHEET 2 FOR MIL-DTL-32139 PIN (PART IDENTIFYING NUMBER) AND CORRESPONDING TE PART NUMBERS

- 3 INSULATOR SHALL BE FLUSH WITH THE SHELL TO WITHIN ±.004
- 4 WIRE TYPE DEFINED BY MIL-DTL-32139/4
- 5 CONNECTOR SHALL BE MARKED IN ACCORDANCE WITH METHOD I OF MIL-STD-1285. MARKING SHALL CONTAIN THE MILITARY PIN AND POSITION 1 INDICATED BY AN IDENTIFIABLE MARK, LOCATED APPROXIMATELY AS SHOWN ON THE POSITION 1 SIDE OF THE CONNECTOR FLANGE. TEXT HEIGHT SHALL BE .035 INCH MINIMUM.
- 6 CONNECTOR SHALL BE MARKED IN ACCORDANCE WITH METHOD I OF MIL-STD-1285. MARKING SHALL CONTAIN TE, CAGE CODE AND DATE CODE. EXAMPLE: TE OPJN9 YYWW (WHERE YYWW IS THE DATE CODE). TEXT HEIGHT SHALL BE .035 INCH MINIMUM.

| | | | | |
|--|---------------------|------------------------------|---|-----------------------|
| THIS DRAWING IS A CONTROLLED DOCUMENT. | | DWN C SCHOLL 16 AUG 10 | TE Connectivity | |
| DIMENSIONS: INCHES | | CHK M STORRY 16 AUG 10 | | |
| TOLERANCES UNLESS OTHERWISE SPECIFIED: | | APVD - | NAME RECEPTACLE ASSEMBLY, TWO ROW, FLYING LEADS, PER MIL-DTL-32139/4, SIZE 37 | |
| 0 PLC ± - | | PRODUCT SPEC - | SIZE A2 | |
| 1 PLC ± - | | APPLICATION SPEC - | CAGE CODE OPJN9 | DRAWING NO 1925226 |
| 2 PLC ± - | | WEIGHT - | RESTRICTED TO - | |
| 3 PLC ± .005 | | CUSTOMER DRAWING | SCALE 6:1 | SHEET 1 of 2 |
| 4 PLC ± - | | | REV B | |
| ANGLES ± 2° | | | | |
| MATERIAL SEE NOTES | FINISH SEE NOTES | | | |

THIS DRAWING IS UNPUBLISHED. RELEASED FOR PUBLICATION
 © COPYRIGHT - By - ALL RIGHTS RESERVED.

| LOC | | DIST | | REVISIONS | | | |
|-----|-----|-------------|------|-----------|------|--|--|
| P | LTR | DESCRIPTION | DATE | DWN | APVD | | |
| - | - | SEE SHEET 1 | - | - | - | | |

| PART NUMBER CROSS REFERENCE | | | |
|-----------------------------|-------|------------------|-------------------|
| TE P/N | L DIM | MIL SPEC PIN | NANONICS P/N |
| 1925226-1 | 6 | M32139/04-F01TNS | TMN2N037SC2DX006T |
| 1925226-2 | 6 | M32139/04-F01TSS | TMN2S037SC2DX006T |
| 1925226-3 | 18 | M32139/04-F02TNS | TMN2N037SC2DX018T |
| 1925226-4 | 18 | M32139/04-F02TSS | TMN2S037SC2DX018T |
| 1925226-5 | 36 | M32139/04-F03TNS | TMN2N037SC2DX036T |
| 1925226-6 | 36 | M32139/04-F03TSS | TMN2S037SC2DX036T |
| 1925226-7 | 6 | M32139/04-F04TNS | TMN2N037SC2DM006T |
| 1925226-8 | 6 | M32139/04-F04TSS | TMN2S037SC2DM006T |
| 1925226-9 | 18 | M32139/04-F05TNS | TMN2N037SC2DM018T |
| 1-1925226-0 | 18 | M32139/04-F05TSS | TMN2S037SC2DM018T |
| 1-1925226-1 | 36 | M32139/04-F06TNS | TMN2N037SC2DM036T |
| 1-1925226-2 | 36 | M32139/04-F06TSS | TMN2S037SC2DM036T |
| 1-1925226-3 | 6 | M32139/04-F07TNS | TMN2N037SC2DT006T |
| 1-1925226-4 | 6 | M32139/04-F07TSS | TMN2S037SC2DT006T |
| 1-1925226-5 | 18 | M32139/04-F08TNS | TMN2N037SC2DT018T |
| 1-1925226-6 | 18 | M32139/04-F08TSS | TMN2S037SC2DT018T |
| 1-1925226-7 | 36 | M32139/04-F09TNS | TMN2N037SC2DT036T |
| 1-1925226-8 | 36 | M32139/04-F09TSS | TMN2S037SC2DT036T |
| 1-1925226-9 | 6 | M32139/04-F10TNS | TMN2N037SC2TM006T |
| 2-1925226-0 | 6 | M32139/04-F10TSS | TMN2S037SC2TM006T |
| 2-1925226-1 | 18 | M32139/04-F11TNS | TMN2N037SC2TM018T |
| 2-1925226-2 | 18 | M32139/04-F11TSS | TMN2S037SC2TM018T |
| 2-1925226-3 | 36 | M32139/04-F12TNS | TMN2N037SC2TM036T |
| 2-1925226-4 | 36 | M32139/04-F12TSS | TMN2S037SC2TM036T |

| | | | |
|-------------|----|------------------|-------------------|
| 2-1925226-5 | 6 | M32139/04-F13TNS | TMN2N037SC2CX006T |
| 2-1925226-6 | 6 | M32139/04-F13TSS | TMN2S037SC2CX006T |
| 2-1925226-7 | 18 | M32139/04-F14TNS | TMN2N037SC2CX018T |
| 2-1925226-8 | 18 | M32139/04-F14TSS | TMN2S037SC2CX018T |
| 2-1925226-9 | 36 | M32139/04-F15TNS | TMN2N037SC2CX036T |
| 3-1925226-0 | 36 | M32139/04-F15TSS | TMN2S037SC2CX036T |
| 3-1925226-1 | 6 | M32139/04-F16TNS | TMN2N037SC2CM006T |
| 3-1925226-2 | 6 | M32139/04-F16TSS | TMN2S037SC2CM006T |
| 3-1925226-3 | 18 | M32139/04-F17TNS | TMN2N037SC2CM018T |
| 3-1925226-4 | 18 | M32139/04-F17TSS | TMN2S037SC2CM018T |
| 3-1925226-5 | 36 | M32139/04-F18TNS | TMN2N037SC2CM036T |
| 3-1925226-6 | 36 | M32139/04-F18TSS | TMN2S037SC2CM036T |

TMN X X XXX XX X XX XXX X

CLASS
M32139

ROW
2 2 ROW

FINISH
N ELECTROLESS NICKEL
S STAINLESS STEEL

POSITION
037 37 POSITION

HARDWARE/THREADS
T 0-80 THREADS (RECEPTACLES)

CONDUCTOR LENGTH
006 SIX INCHES
018 EIGHTEEN INCHES
036 THIRTY SIX INCHES

CONDUCTOR TYPE
DX WHITE PTFE PER NEMA HP3-ETXBBB9
DM COLOR CODED PTFE PER MIL-STD-681, SYSTEM 1
DT WHITE ETFE PER M22759/33-30-9
TM COLOR CODED ETFE PER MIL-STD-681, SYSTEM 1
CX WHITE COMPOSITE/PTFE PER DSCC 04047-30A-9
CM COLOR CODED COMPOSITE/PTFE PER MIL-STD-681, SYSTEM 1

CONDUCTOR SIZE/STRANDS
2 30AWG 7 STRAND

CONFIGURATION
SC RECEPTACLE

- THE FINAL 'S' IN THE MIL-SPEC PIN SIGNIFIES THAT THE CONNECTOR IS "SPACE CLASS". OMITTING THIS CHARACTER WILL YIELD THE SAME CORRESPONDING TE AND NANONICS PART NUMBERS.
- THE COLOR CODE SHALL ONLY INCLUDE THE 10 SOLID COLORS IN REPEATING SEQUENCE.
- PRELIMINARY PARTS - NOT RELEASED FOR PRODUCTION

| | | | | |
|--|--|------------------------------|---|-----------------------|
| THIS DRAWING IS A CONTROLLED DOCUMENT. | | DWN C SCHOLL 16 AUG 10 | TE Connectivity | |
| DIMENSIONS: INCHES | | CHK M STORRY 16 AUG 10 | | |
| TOLERANCES UNLESS OTHERWISE SPECIFIED: 0 PLC ± - 1 PLC ± - 2 PLC ± - 3 PLC ± - 4 PLC ± - ANGLES ± 2° | | APVD - | NAME RECEPTACLE ASSEMBLY, TWO ROW, FLYING LEADS, PER MIL-DTL-32139/4, SIZE 37 | |
| MATERIAL - | | FINISH - | PRODUCT SPEC - | APPLICATION SPEC - |
| | | WEIGHT - | SIZE A2 | CAGE CODE 0PJN9 |
| | | CUSTOMER DRAWING | DRAWING NO 1925226 | RESTRICTED TO - |
| | | SCALE 6:1 | SHEET 2 of 2 | REV B |



Компания «ЭлектроПласт» предлагает заключение долгосрочных отношений при поставках импортных электронных компонентов на взаимовыгодных условиях!

Наши преимущества:

- Оперативные поставки широкого спектра электронных компонентов отечественного и импортного производства напрямую от производителей и с крупнейших мировых складов;
- Поставка более 17-ти миллионов наименований электронных компонентов;
- Поставка сложных, дефицитных, либо снятых с производства позиций;
- Оперативные сроки поставки под заказ (от 5 рабочих дней);
- Экспресс доставка в любую точку России;
- Техническая поддержка проекта, помощь в подборе аналогов, поставка прототипов;
- Система менеджмента качества сертифицирована по Международному стандарту ISO 9001;
- Лицензия ФСБ на осуществление работ с использованием сведений, составляющих государственную тайну;
- Поставка специализированных компонентов (Xilinx, Altera, Analog Devices, Intersil, Interpoint, Microsemi, Aeroflex, Peregrine, Syfer, Eurofarad, Texas Instrument, Miteq, Cobham, E2V, MA-COM, Hittite, Mini-Circuits, General Dynamics и др.);

Помимо этого, одним из направлений компании «ЭлектроПласт» является направление «Источники питания». Мы предлагаем Вам помощь Конструкторского отдела:

- Подбор оптимального решения, техническое обоснование при выборе компонента;
- Подбор аналогов;
- Консультации по применению компонента;
- Поставка образцов и прототипов;
- Техническая поддержка проекта;
- Защита от снятия компонента с производства.



Как с нами связаться

Телефон: 8 (812) 309 58 32 (многоканальный)

Факс: 8 (812) 320-02-42

Электронная почта: org@eplast1.ru

Адрес: 198099, г. Санкт-Петербург, ул. Калинина, дом 2, корпус 4, литера А.