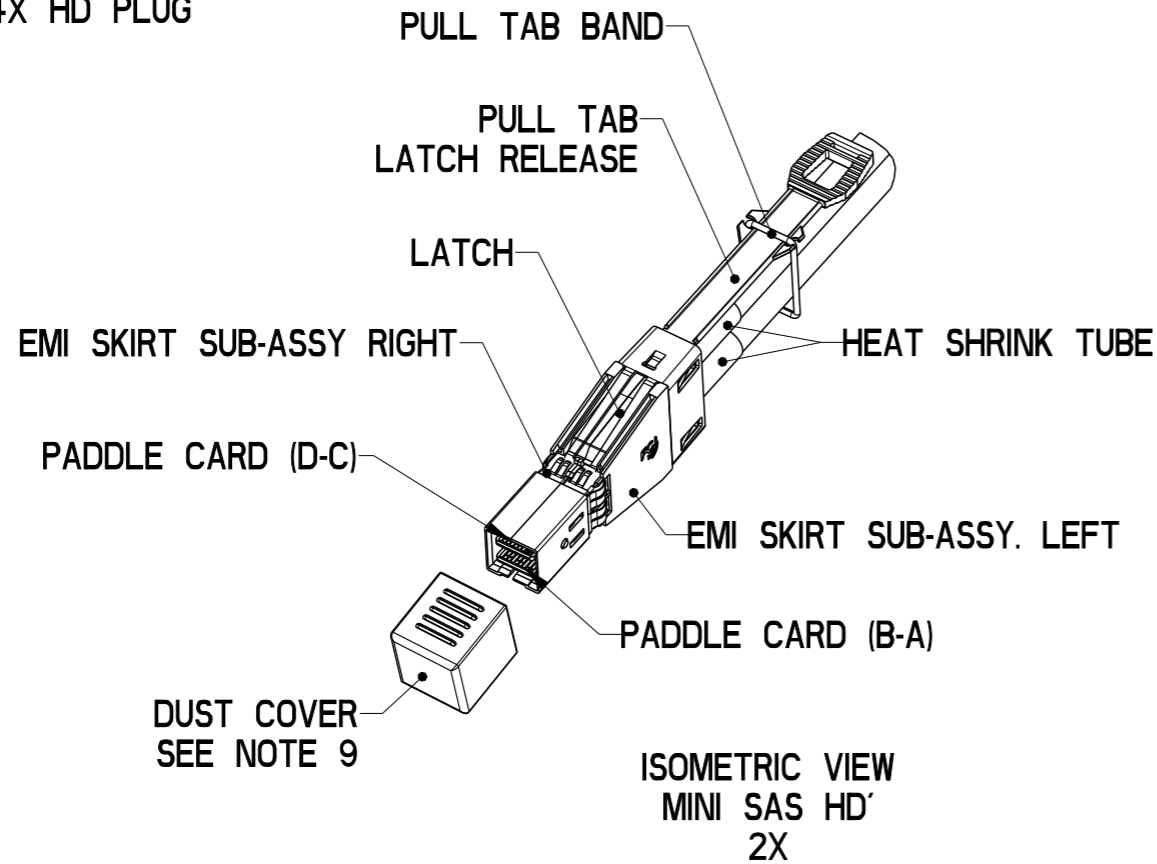
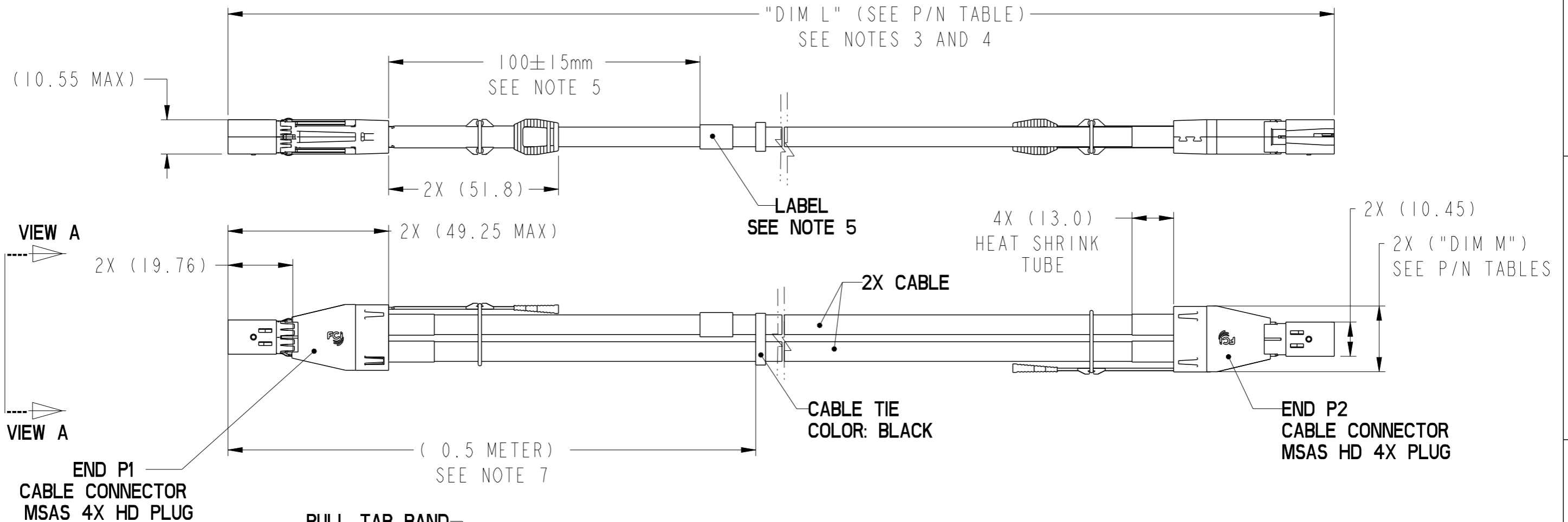
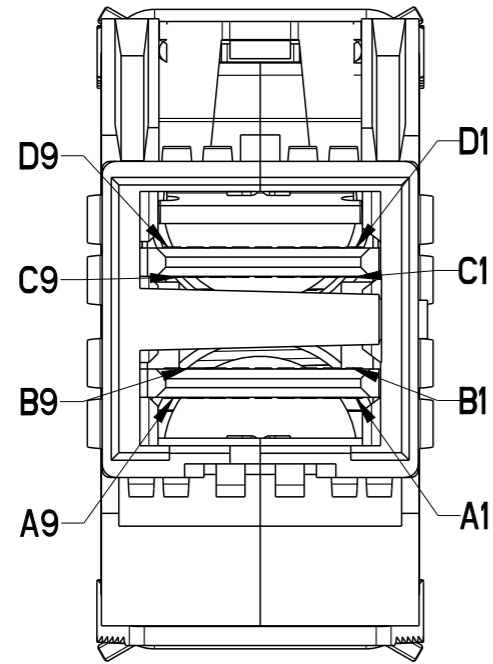


| PRODUCT NUMBER | DESCRIPTION | NOTES |
|------------------|--------------------------------|------------|
| 10120707-XXXXLF | NON-HF,SEE NOTE 12&16 | SEE SHT. 3 |
| 10120707-XXXXHLF | HALOGEN FREE(H),SEE NOTE 11&16 | SEE SHT. 3 |

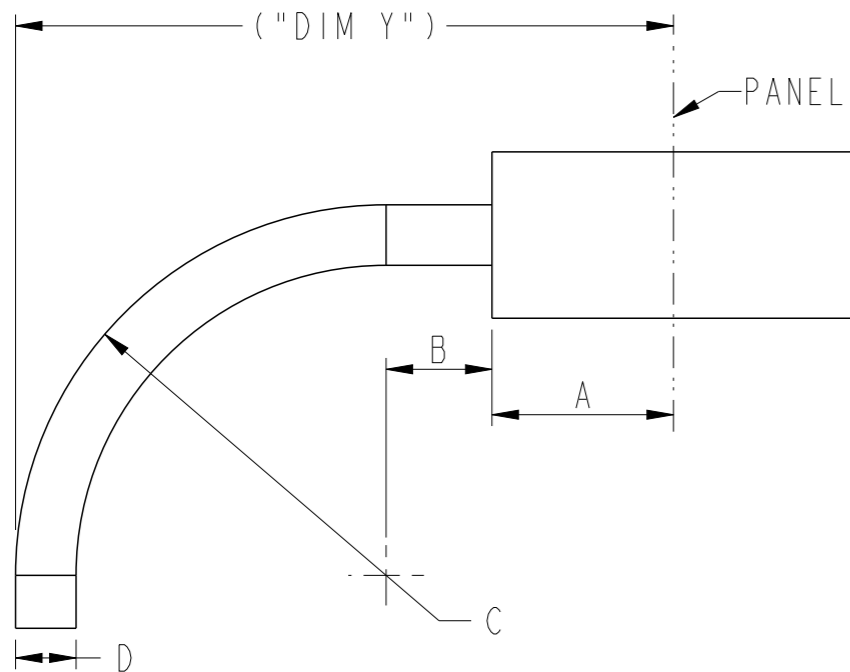


| | | | | | | | | |
|-------------|-------------|------------|---|----|-----------|-----------------|------------------------|-------|
| dr | David Lord | 2012/04/25 | projection | mm | size | A3 | scale | 1:2 |
| eng | Tommy Lin | 2013/11/20 | | | ecn no | | - | |
| chr | - | - | | | rel level | | Released | |
| appr | Roger Cheng | 2013/11/20 | product family | | C&A | | - | |
| | | | TITLE FINAL ASSEMBLY (PASSIVE) 14G MSAS HD 4X ASSEMBLY | | | dwg no 10120707 | | rev A |
| www.fci.com | | | cat. no. | | - | | Product - Customer Drw | |
| | | | sheet 1 of 4 | | | | | |

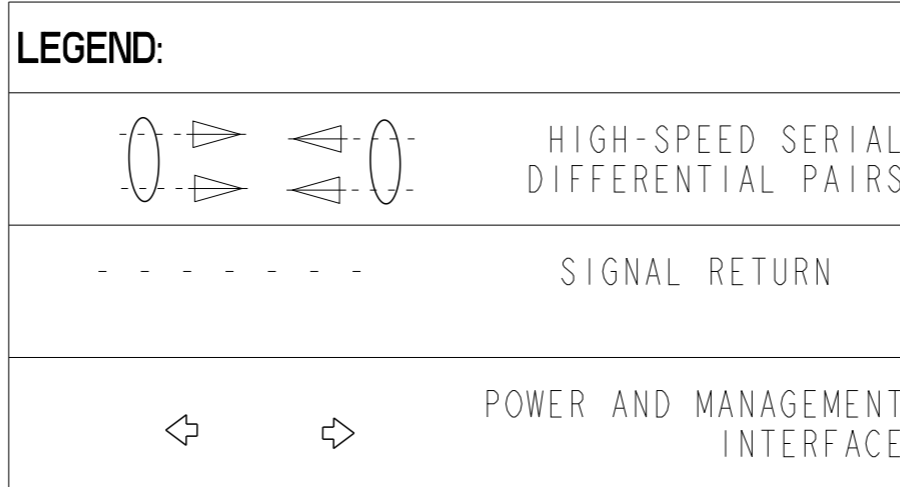
| PRODUCT NUMBER | DESCRIPTION | NOTES |
|------------------|--------------------------------|------------|
| 10120707-XXXXLF | NON-HF,SEE NOTE 12&16 | SEE SHT. 3 |
| 10120707-XXXXHLF | HALOGEN FREE(H),SEE NOTE 11&16 | SEE SHT. 3 |



P1
VIEW A
SCALE 4:1



BEND RADIUS
TOP VIEW OF CONNECTOR



| MINIMUM CABLE BEND TABLE | | | | | |
|--------------------------|------|------|------|-------------|------------------|
| CABLE | A | B | C | D (nominal) | ("DIM Y") NON-HF |
| 26 AWG | 29.5 | 13.0 | 40.4 | ∅6.73 | 82.9 |
| 30 AWG | | | 31.3 | ∅5.21 | 73.8 |

| MINIMUM CABLE BEND TABLE | | | | | |
|--------------------------|------|------|------|-------------|--------------|
| CABLE | A | B | C | D (nominal) | ("DIM Y") HF |
| 26 AWG | 29.5 | 13.0 | 40.4 | ∅6.73 | 82.9 |
| 30 AWG | | | 31.3 | ∅5.21 | 73.8 |

| WIRING LIST (SEE NOTE 6) | | | | | |
|--------------------------|----------|-------|----------|----------|--|
| END P1 | | | END P2 | | |
| POSITION | SYMBOL | | POSITION | SYMBOL | |
| D9 | GROUND | ----- | B9 | GROUND | |
| D8 | Tx2- | ⊖---▷ | B8 | Rx2- | |
| D7 | Tx2+ | ⊕---▷ | B7 | Rx2+ | |
| D6 | GROUND | ----- | B6 | GROUND | |
| D5 | Tx0- | ⊖---▷ | B5 | Rx0- | |
| D4 | Tx0+ | ⊕---▷ | B4 | Rx0+ | |
| D3 | GROUND | ----- | B3 | GROUND | |
| D2 | Vman | ◀ ▶ | B2 | ModPrsL | |
| D1 | Vact | ◀ ▶ | B1 | Vact | |
| C1 | SCL | ◀ ▶ | A1 | Reserved | |
| C2 | SDA | ◀ ▶ | A2 | IntI | |
| C3 | GROUND | ----- | A3 | GROUND | |
| C4 | Tx1+ | ⊕---▷ | A4 | Rx1+ | |
| C5 | Tx1- | ⊖---▷ | A5 | Rx1- | |
| C6 | GROUND | ----- | A6 | GROUND | |
| C7 | Tx3+ | ⊕---▷ | A7 | Rx3+ | |
| C8 | Tx3- | ⊖---▷ | A8 | Rx3- | |
| C9 | GROUND | ----- | A9 | GROUND | |
| B9 | GROUND | ----- | D9 | GROUND | |
| B8 | Rx2- | ◀---⊖ | D8 | Tx2- | |
| B7 | Rx2+ | ◀---⊕ | D7 | Tx2+ | |
| B6 | GROUND | ----- | D6 | GROUND | |
| B5 | Rx0- | ◀---⊖ | D5 | Tx0- | |
| B4 | Rx0+ | ◀---⊕ | D4 | Tx0+ | |
| B3 | GROUND | ----- | D3 | GROUND | |
| B2 | ModPrsL | ◀ ▶ | D2 | Vman | |
| B1 | Vact | ◀ ▶ | D1 | Vact | |
| A1 | Reserved | ◀ ▶ | C1 | SCL | |
| A2 | IntI | ◀ ▶ | C2 | SDA | |
| A3 | GROUND | ----- | C3 | GROUND | |
| A4 | Rx1+ | ◀---⊕ | C4 | Tx1+ | |
| A5 | Rx1- | ◀---⊖ | C5 | Tx1- | |
| A6 | GROUND | ----- | C6 | GROUND | |
| A7 | Rx3+ | ◀---⊕ | C7 | Tx3+ | |
| A8 | Rx3- | ◀---⊖ | C8 | Tx3- | |
| A9 | GROUND | ----- | C9 | GROUND | |

SHIELD-----▷ SHIELD

| | | | | | | | | | | |
|-------------|-------------|------------|--------------------------|-----|-----------|------------------------|-----------|----------|--------------|---|
| dr | David Lord | 2012/04/25 | projection | mm | size | A3 | scale | 1:2 | | |
| eng | Tommy Lin | 2013/11/20 | | | ecn no | - | rel level | Released | | |
| chr | - | - | | | | | | | | |
| appr | Roger Cheng | 2013/11/20 | product family | C&A | rel level | Released | | | | |
| | | | FINAL ASSEMBLY (PASSIVE) | | | dwg no | | 10120707 | rev | A |
| www.fci.com | | | cat. no. | | | Product - Customer Drw | | | sheet 2 of 4 | |

NON-HALOGEN FREE
CABLE ASSEMBLY PART NUMBERS
SEE NOTE 12&16

| FCI PART NUMBER | LENGTH "DIM L" (Meters) | "DIM M" (mm) | AWG |
|-----------------|----------------------------|-----------------|-----|
| 10120707-2005LF | 0.5 | 17.3 | 30 |
| 10120707-2010LF | 1.0 | 17.3 | 30 |
| 10120707-2015LF | 1.5 | 17.3 | 30 |
| 10120707-2020LF | 2.0 | 17.3 | 30 |
| 10120707-4010LF | 1.0 | 20.1 | 26 |
| 10120707-4020LF | 2.0 | 20.1 | 26 |
| 10120707-4025LF | 2.5 | 20.1 | 26 |
| 10120707-4030LF | 3.0 | 20.1 | 26 |
| 10120707-4035LF | 3.5 | 20.1 | 26 |
| 10120707-4040LF | 4.0 | 20.1 | 26 |

HALOGEN FREE
CABLE ASSEMBLY PART NUMBERS
SEE NOTE 11&16

| FCI PART NUMBER | LENGTH "DIM L" (Meters) | "DIM M" (mm) | AWG |
|------------------|----------------------------|-----------------|-----|
| 10120707-2005HLF | 0.5 | 17.3 | 30 |
| 10120707-2010HLF | 1.0 | 17.3 | 30 |
| 10120707-2015HLF | 1.5 | 17.3 | 30 |
| 10120707-2020HLF | 2.0 | 17.3 | 30 |
| 10120707-4010HLF | 1.0 | 20.1 | 26 |
| 10120707-4020HLF | 2.0 | 20.1 | 26 |
| 10120707-4025HLF | 2.5 | 20.1 | 26 |
| 10120707-4030HLF | 3.0 | 20.1 | 26 |
| 10120707-4035HLF | 3.5 | 20.1 | 26 |
| 10120707-4040HLF | 4.0 | 20.1 | 26 |



Copyright FCI.

| | | | | | | | | |
|-------------|-------------|---|----------------|------------------------|--------------------|--------------|-------|-----|
| dr | David Lord | 2012/04/25 | projection | mm | size | A3 | scale | 1:2 |
| eng | Tommy Lin | 2013/11/20 | | | ecn no | - | | |
| chr | - | - | | | rel level | Released | | |
| appr | Roger Cheng | 2013/11/20 | product family | C&A | | | | |
| | | title FINAL ASSEMBLY (PASSIVE) 14G MSAS HD 4X ASSEMBLY | | | dwg no 10120707 | rev A | | |
| www.fci.com | | cat. no. | - | Product - Customer Drw | | sheet 3 of 4 | | |

| PRODUCT NUMBER | DESCRIPTION | NOTES |
|------------------|--------------------------------|------------|
| 10120707-XXXXLF | NON-HF,SEE NOTE 12&16 | SEE SHT. 3 |
| 10120707-XXXXHLF | HALOGEN FREE(H),SEE NOTE 11&16 | SEE SHT. 3 |

NOTES:

- 1 - MATERIAL:
 BACK SHELLS: ZINC ALLOY/ COPPER UNDERPLATE/ NICKEL OVERPLATE
 PULL TAB: THERMOPLASTIC POLYMER
 LATCH : STAINLESS STEEL
 FERRULE: BRASS
 EMI SKIRT: STAINLESS STEEL
 LOCTITE
 PADDLE CARD: PRINTED CIRCUIT SUBSTRATE
 HEAT SHRINK TUBE: POLYOLEFIN
- 2 - THIS PRODUCT MEETS THE RESTRICTION OF HAZARDOUS SUBSTANCES IN ELECTRICAL AND ELECTRONIC EQUIPMENT (ROHS) DIRECTIVE (2011/65/EU)

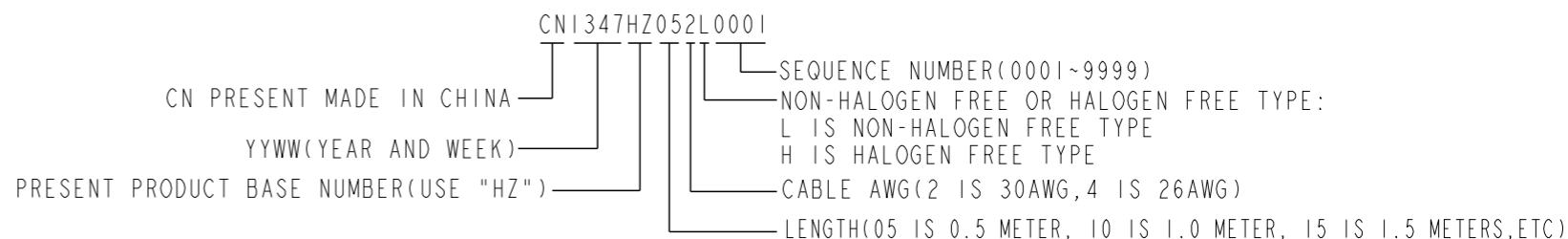
LABEL EXAMPLE

FCI CHINA
 10120707-2005LF
 REV.A
 CN1347HZ052L0001

3. THIS DIMENSION IS A FINISHED PRODUCT LENGTH.
4. UNLESS OTHERWISE SPECIFIED ASSEMBLED LENGTH TOLERANCE IS TO BE:
 "DIM L" < 1 METER = ±25mm
 "DIM L" 1 METER TO 4 METERS = ± 2% OF "DIM L"
 "DIM L" > 4 METERS = +0.00/-4% OF "DIM L"

FCI SERIAL NUMBER IS USED ONLY FOR TRACKING PRODUCT AND THE FORMAT DETAIL IS AS BELOW:

5. LABEL DETAILS:
- | | |
|-------------------------------|-------------------|
| MANUFACTURER CODE OR NAME | COUNTRY OF ORIGIN |
| CUSTOMER P/N OR FCI P/N | |
| FCI CUSTOMER DRAWING REVISION | |
| FCI SERIAL NUMBER | |



FONT SHALL BE CLEARLY VISIBLE AND BLACK IN COLOR.

6. ALL CABLE ASSEMBLIES 100% TESTED FOR CONTINUITY AS DEFINED IN WIRING LIST.
7. PLACE A CABLE TIE EVERY 0.5 METER ON ALL ASSEMBLIES, UNLESS OTHERWISE SPECIFIED. IN CASE OF 0.5 METER CABLE ASSEMBLY, CABLE TIE IS TO BE APPLIED AT THE MIDWAY POINT.
- 8 - OTHER TESTING PERFORMED AS REQUIRED BY PRODUCT SPECIFICATION: GS-12-651.
9. PACKAGING OF LEAD FREE PRODUCTS MEETS LABELING AND PACKAGING PER SPECIFICATION GS-14-920. PACKAGE CABLE ASSEMBLIES PER GS-14-1272. DUST COVERS ARE TO BE ASSEMBLED PRIOR TO PACKAGING. FCI PACKAGE TRACKING BAG LABEL IS ONLY FOR REFERENCE.
10. A "△" SYMBOL WILL BE NEXT TO ANY DIMENSION, VIEW, OR NOTE WHICH HAS BEEN MODIFIED WITH THE CURRENT DRAWING REVISION. THE CURRENT REVISION WILL BE SHOWN IN THE SYMBOL.
11. "H" PRODUCT NUMBERS DESIGNATE THE USE OF HALOGEN FREE RAW CABLE.
12. HALOGEN FREE RAW CABLE CAN BE USED AS A SUBSTITUTE ON NON-HF PRODUCT NUMBERS.
13. MEETS ELECTRICAL PERFORMANCE REQUIREMENTS OF SAS 3.0
14. MATES TO SERIES: 10112626 or 10112627 or 10112628
15. EEPROM MAP INFORMATION FOLLOW FCI STANDARDS.
16. RAW CABLE IS OPTIONAL, WHICH HAD BEEN QUALIFIED BY FCI AND MEET FCI PRODUCT SPEC. GS-12-651.

| | | | | | | | | |
|-------------|-------------|------------|----------------|------------------------|--------------|--------------------------|--------|----------|
| dr | David Lord | 2012/04/25 | projection | mm | size | A3 | scale | 1:2 |
| eng | Tommy Lin | 2013/11/20 | | | ecn no | - | | |
| chr | - | - | product family | C&A | rel level | Released | | |
| appr | Roger Cheng | 2013/11/20 | | | FCI | FINAL ASSEMBLY (PASSIVE) | dwg no | 10120707 |
| www.fci.com | | cat. no. | - | Product - Customer Drw | sheet 4 of 4 | | | |



Компания «ЭлектроПласт» предлагает заключение долгосрочных отношений при поставках импортных электронных компонентов на взаимовыгодных условиях!

Наши преимущества:

- Оперативные поставки широкого спектра электронных компонентов отечественного и импортного производства напрямую от производителей и с крупнейших мировых складов;
- Поставка более 17-ти миллионов наименований электронных компонентов;
- Поставка сложных, дефицитных, либо снятых с производства позиций;
- Оперативные сроки поставки под заказ (от 5 рабочих дней);
- Экспресс доставка в любую точку России;
- Техническая поддержка проекта, помощь в подборе аналогов, поставка прототипов;
- Система менеджмента качества сертифицирована по Международному стандарту ISO 9001;
- Лицензия ФСБ на осуществление работ с использованием сведений, составляющих государственную тайну;
- Поставка специализированных компонентов (Xilinx, Altera, Analog Devices, Intersil, Interpoint, Microsemi, Aeroflex, Peregrine, Syfer, Eurofarad, Texas Instrument, Miteq, Cobham, E2V, MA-COM, Hittite, Mini-Circuits, General Dynamics и др.);

Помимо этого, одним из направлений компании «ЭлектроПласт» является направление «Источники питания». Мы предлагаем Вам помощь Конструкторского отдела:

- Подбор оптимального решения, техническое обоснование при выборе компонента;
- Подбор аналогов;
- Консультации по применению компонента;
- Поставка образцов и прототипов;
- Техническая поддержка проекта;
- Защита от снятия компонента с производства.



Как с нами связаться

Телефон: 8 (812) 309 58 32 (многоканальный)

Факс: 8 (812) 320-02-42

Электронная почта: org@eplast1.ru

Адрес: 198099, г. Санкт-Петербург, ул. Калинина, дом 2, корпус 4, литера А.