

Ground modular terminal block - DTMED 6-PE - 3034497

Please be informed that the data shown in this PDF Document is generated from our Online Catalog. Please find the complete data in the user's documentation. Our General Terms of Use for Downloads are valid (<http://download.phoenixcontact.com>)



Ground modular terminal block, Connection method: Leg spring connection, Cross section: 0.5 mm² - 10 mm², AWG: 20 - 8, Width: 8.2 mm, Height: 49.6 mm, Color: green-yellow, Mounting type: NS 35/7,5, NS 35/15



Key commercial data

Packing unit	1 1
Minimum order quantity	10 1
Weight per Piece (excluding packing)	27.92 GRM
Custom tariff number	85369010
Country of origin	Poland

Technical data

General

Number of levels	1
Number of connections	2
Color	green-yellow
Insulating material	PA
Inflammability class according to UL 94	V0
Rated surge voltage	8 kV
Pollution degree	3
Surge voltage category	III
Insulating material group	I
Connection in acc. with standard	IEC 60947-7-2
Open side panel	ja
Shock protection test specification	DIN EN 50274 (VDE 0660-514):2002-11
Back of the hand protection	guaranteed
Finger protection	guaranteed
Test specification, oscillation, broadband noise	DIN EN 50155 (VDE 0115-200):2008-03

Ground modular terminal block - DTMED 6-PE - 3034497

Technical data

General

Test spectrum	Service life test category 2, bogie mounted
Test frequency	$f_1 = 5 \text{ Hz}$ to $f_2 = 250 \text{ Hz}$
ASD level	$11.83 \text{ (m/s}^2\text{)}^2\text{/Hz}$
Acceleration	4.25 g
Test duration per axis	5 h
Test directions	X-, Y- and Z-axis
Oscillation, broadband noise test result	Test passed
Test specification, shock test	DIN EN 50155 (VDE 0115-200):2008-03
Shock form	Half-sine
Acceleration	30 g
Shock duration	18 ms
Number of shocks per direction	3
Test directions	X-, Y- and Z-axis (pos. and neg.)
Shock test result	Test passed
Temperature index, insulating material (DIN EN 60216-1 (VDE 0304-21))	130 °C
Static insulating material application in cold	-60 °C

Dimensions

Width	8.2 mm
Length	100.8 mm
Height NS 35/7,5	49.6 mm
Height NS 35/15	57.1 mm

Connection data

Conductor cross section solid min.	0.5 mm ²
Conductor cross section solid max.	10 mm ²
Conductor cross section stranded min.	0.5 mm ²
Conductor cross section stranded max.	6 mm ²
Conductor cross section AWG/kcmil min.	20
Conductor cross section AWG/kcmil max	8
Conductor cross section stranded, with ferrule without plastic sleeve min.	0.5 mm ²
Conductor cross section stranded, with ferrule without plastic sleeve max.	6 mm ²
Conductor cross section stranded, with ferrule with plastic sleeve min.	0.5 mm ²
Conductor cross section stranded, with ferrule with plastic sleeve max.	6 mm ²
2 conductors with same cross section, stranded, TWIN ferrules with plastic sleeve, min.	0.5 mm ²
2 conductors with same cross section, stranded, TWIN ferrules with plastic sleeve, max.	1.5 mm ²
Connection method	Leg spring connection

Ground modular terminal block - DTMED 6-PE - 3034497

Technical data

Connection data

Stripping length	12 mm
Internal cylindrical gage	A5

Classifications

eCl@ss

eCl@ss 4.0	27141118
eCl@ss 4.1	27141118
eCl@ss 5.0	27141118
eCl@ss 5.1	27141118
eCl@ss 6.0	27141141
eCl@ss 7.0	27141141
eCl@ss 8.0	27141141

ETIM

ETIM 2.0	EC000901
ETIM 3.0	EC000901
ETIM 4.0	EC000901
ETIM 5.0	EC000901

UNSPSC

UNSPSC 6.01	30211811
UNSPSC 7.0901	39121410
UNSPSC 11	39121410
UNSPSC 12.01	39121410
UNSPSC 13.2	39121410

Approvals

Approvals

Approvals

UL Recognized / cUL Recognized / GOST / GOST / cULus Recognized

Ex Approvals

Ground modular terminal block - DTMED 6-PE - 3034497

Approvals

Approvals submitted

Approval details

UL Recognized			
	B	C	D
mm ² /AWG/kcmil	24-8	24-8	24-8

cUL Recognized			
	B	C	D
mm ² /AWG/kcmil	24-8	24-8	24-8

GOST			
------	--	--	--

GOST			
------	--	--	--

cULus Recognized			
------------------	--	--	--

Accessories

Accessories

Bridge

Switching jumper - SB-ME 2-8 - 3034468



Switching jumper, Length: 24.7 mm, Width: 16.4 mm, Number of positions: 2, Color: gray/orange

Ground modular terminal block - DTMED 6-PE - 3034497

Accessories

Plug-in bridge - FBS 2-8 - 3030284



Plug-in bridge, Number of positions: 2, Color: red

Plug-in bridge - FBS 3-8 - 3030297



Plug-in bridge, Number of positions: 3, Color: red

Plug-in bridge - FBS 4-8 - 3030307



Plug-in bridge, Number of positions: 4, Color: red

Plug-in bridge - FBS 5-8 - 3030310



Plug-in bridge, Number of positions: 5, Color: red

Plug-in bridge - FBS 10-8 - 3030323



Plug-in bridge, Number of positions: 10, Color: red

Ground modular terminal block - DTMED 6-PE - 3034497

Accessories

Plug-in bridge - FBS 6-8 - 3032470



Plug-in bridge, Number of positions: 6, Color: red

Plug-in bridge - FBS 1/3-8 - 3032363



Plug-in bridge, Number of positions: 3, Pin assignment: 1,3, Color: red

Plug-in bridge - FBS 1/4-8 - 3032376



Plug-in bridge, Number of positions: 4, Pin assignment: 1,4, Color: red

Plug-in bridge - FBS 1/3/5-8 - 3032389



Plug-in bridge, Number of positions: 5, Pin assignment: 1,3,5, Color: red

Plug-in bridge - FBS 1/4/7/10-8 - 3032402



Plug-in bridge, Number of positions: 10, Pin assignment: 1,4,7,10, Color: red

Ground modular terminal block - DTMED 6-PE - 3034497

Accessories

Switching jumper - SB-ME 2-8 - 3034468



Switching jumper, Length: 24.7 mm, Width: 16.4 mm, Number of positions: 2, Color: gray/orange

Switching jumper - SB-ME 3-8 - 3032800



Switching jumper, Length: 24.7 mm, Width: 24.6 mm, Number of positions: 3, Color: gray/orange

Switching jumper - SB-ME 4-8 - 3034484



Switching jumper, Length: 24.7 mm, Width: 32.8 mm, Number of positions: 4, Color: gray/orange

Plug-in bridge - FBS 1/5-8 - 3032381

Plug-in bridge, Number of positions: 5, Pin assignment: 1,5

Plug-in bridge - FBSRH 2-8 - 3033802



Plug-in bridge, Number of positions: 2, Color: red

Ground modular terminal block - DTMED 6-PE - 3034497

Accessories

Plug-in bridge - FBSRH 3-8 - 3033803



Plug-in bridge, Number of positions: 3, Color: red

Plug-in bridge - FBSRH 4-8 - 3033804



Plug-in bridge, Number of positions: 4, Color: red

Plug-in bridge - FBSR 2-8 - 3033808



Plug-in bridge, Number of positions: 2, Color: red

Plug-in bridge - FBSR 3-8 - 3001597



Plug-in bridge, Number of positions: 3, Color: red

Plug-in bridge - FBSR 5-8 - 3033809



Plug-in bridge, Number of positions: 5, Color: red

Ground modular terminal block - DTMED 6-PE - 3034497

Accessories

Plug-in bridge - FBSR 10-8 - 3001599



Plug-in bridge, Number of positions: 10, Color: red

Plug-in bridge - FBSR 16-8 - 3033816



Plug-in bridge, Number of positions: 16, Color: red

Plug-in bridge - FBSR 1/6/11/16-8 - 3033820



Plug-in bridge, non-adjacent, Number of positions: 16, Pin assignment: 1, 6, 11, 16, Color: red

Plug-in bridge - FBSR 1/7/13/16-8 - 3033821



Plug-in bridge, non-adjacent, Number of positions: 16, Pin assignment: 1, 7, 13, 16, Color: red

Plug-in bridge - FBSR 1/6/11/14-8 - 3033822



Plug-in bridge, non-adjacent, Number of positions: 16, Pin assignment: 1, 6, 11, 14, Color: red

Cover profile

Ground modular terminal block - DTMED 6-PE - 3034497

Accessories

Cover profile - AP-ME METER - 3034361



Cover profile, for covering terminal strips, snapped onto APT-ME cover profile carrier or APH-ME end bracket. A cover profile carrier should be positioned at the ends and at intervals of around 40 cm. Length supplied: 1 m

Cover profile - APH-ME - 3034374



Cover profile carrier for mounting on NS 35/7.5 DIN rail for attaching the cover profile AP-ME

Cover profile - APT-ME - 3034358



Cover profile carrier for mounting on NS 35/7.5 DIN rail for attaching the cover profile AP-ME

Covering hood - AH-ME - 3240265



Cover, for the contact- and dust-protected encapsulation of the components

End cover

End cover - D-DTME 6 - 3034426



Cover, width: 2.2 mm, color: gray

Ground modular terminal block - DTMED 6-PE - 3034497

Accessories

Spacer plate - DP PS-6 - 3036738



Spacer plate, Color: red

Flange

End clamp - CARRIER 35-8 - 3034387



End clamp, Width: 8.2 mm, Color: gray, Mounting type: NS 35/7,5, NS 35/15

Mounting rail

DIN rail perforated - NS 35/ 7,5 PERF 2000MM - 0801733



DIN rail, material: steel galvanized and passivated with a thick layer, perforated, height 7.5 mm, width 35 mm, length: 2000 mm

DIN rail - NS 35/ 7,5 UNPERF 2000MM - 0801681



DIN rail, material: Steel, unperforated, height 7.5 mm, width 35 mm, length: 2 m

DIN rail - NS 35/ 7,5 WH PERF 2000MM - 1204119



DIN rail 35 mm (NS 35)

Ground modular terminal block - DTMED 6-PE - 3034497

Accessories

DIN rail - NS 35/ 7,5 WH UNPERF 2000MM - 1204122



DIN rail 35 mm (NS 35)

DIN rail, unperforated - NS 35/ 7,5 AL UNPERF 2000MM - 0801704



DIN rail, unperforated, Width: 35 mm, Height: 7.5 mm, Length: 2000 mm, Color: silver

DIN rail - NS 35/ 7,5 ZN PERF 2000MM - 1206421



DIN rail, material: Galvanized, perforated, height 7.5 mm, width 35 mm, length: 2 m

DIN rail - NS 35/ 7,5 ZN UNPERF 2000MM - 1206434



DIN rail, material: Galvanized, unperforated, height 7.5 mm, width 35 mm, length: 2 m

DIN rail - NS 35/ 7,5 CU UNPERF 2000MM - 0801762



DIN rail, material: Copper, unperforated, height 7.5 mm, width 35 mm, length: 2 m

Ground modular terminal block - DTMED 6-PE - 3034497

Accessories

End cap - NS 35/ 7,5 CAP - 1206560

DIN rail end piece, for DIN rail NS 35/7.5



Screwdriver tools

Screwdriver - SZS 0,6X3,5 - 1205053



Actuation tool, for ST terminal blocks, insulated, also suitable for use as a bladed screwdriver, size: 0.6 x 3.5 x 100 mm, 2-component grip, with non-slip grip

Test plug terminal block

Test adapter - PAI-4-FIX BU - 3032729



Test adapter, Color: blue

Test adapter - PAI-4-FIX OG - 3034455



Test adapter, Color: orange

Test adapter - PAI-4-FIX YE - 3032745



Test adapter, Color: yellow

Ground modular terminal block - DTMED 6-PE - 3034497

Accessories

Test adapter - PAI-4-FIX RD - 3032732



Test adapter, Color: red

Test adapter - PAI-4-FIX GN - 3032758



Test adapter, Color: green

Test adapter - PAI-4-FIX BK - 3032774



Test adapter, Color: black

Test adapter - PAI-4-FIX GY - 3032790



Test adapter, Color: gray

Test adapter - PAI-4-FIX VT - 3032761



Test adapter, Color: violet

Ground modular terminal block - DTMED 6-PE - 3034497

Accessories

Test adapter - PAI-4-FIX BN - 3032787



Test adapter, Color: brown

Test adapter - PS-6 - 3030996



Test adapter, Color: red

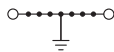
Test plugs - PS-6/2,3MM RD - 3038736



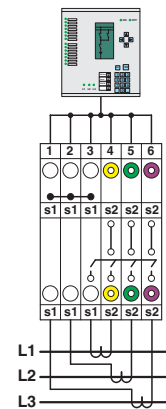
Test plugs, Color: red

Drawings

Circuit diagram



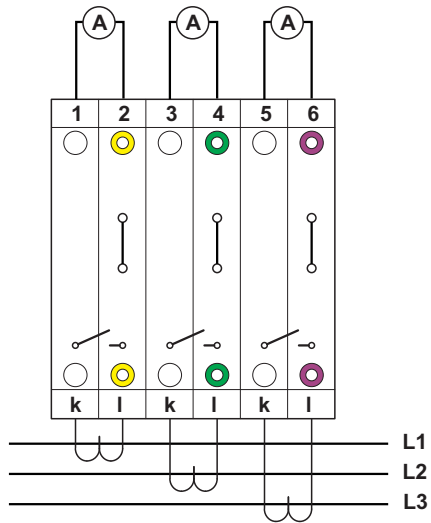
Schematic diagram



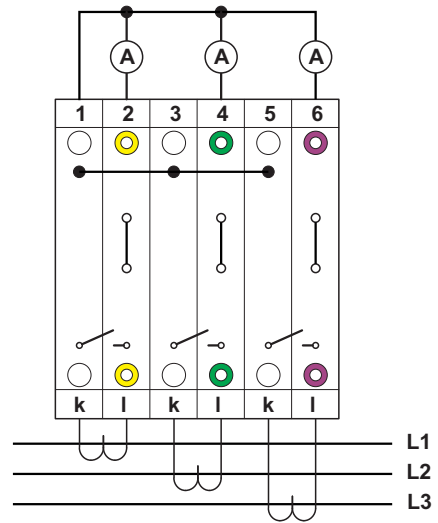
Interlinked three-phase current transformer set

Ground modular terminal block - DTMED 6-PE - 3034497

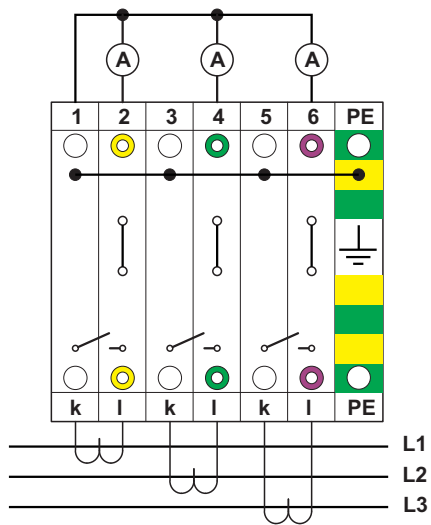
Connection diagram



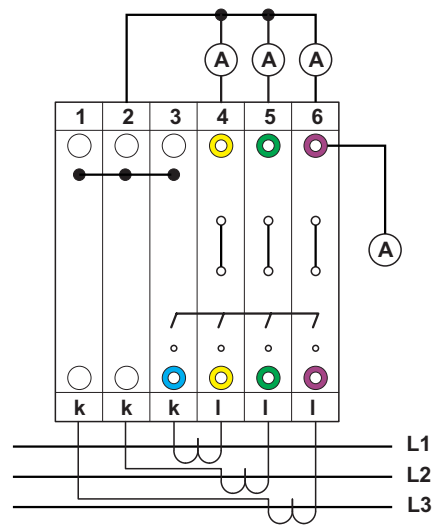
Connection diagram



Connection diagram



Connection diagram

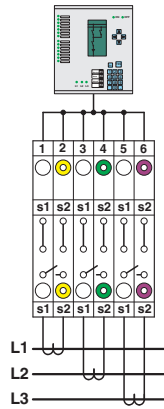


with PE terminals having the same contours

chained

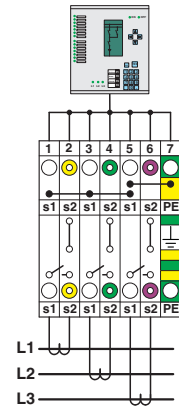
Ground modular terminal block - DTMED 6-PE - 3034497

Schematic diagram



Simple three-phase current transformer set

Schematic diagram



Interlinked three-phase current transformer set with grounded star point



Компания «ЭлектроПласт» предлагает заключение долгосрочных отношений при поставках импортных электронных компонентов на взаимовыгодных условиях!

Наши преимущества:

- Оперативные поставки широкого спектра электронных компонентов отечественного и импортного производства напрямую от производителей и с крупнейших мировых складов;
- Поставка более 17-ти миллионов наименований электронных компонентов;
- Поставка сложных, дефицитных, либо снятых с производства позиций;
- Оперативные сроки поставки под заказ (от 5 рабочих дней);
- Экспресс доставка в любую точку России;
- Техническая поддержка проекта, помощь в подборе аналогов, поставка прототипов;
- Система менеджмента качества сертифицирована по Международному стандарту ISO 9001;
- Лицензия ФСБ на осуществление работ с использованием сведений, составляющих государственную тайну;
- Поставка специализированных компонентов (Xilinx, Altera, Analog Devices, Intersil, Interpoint, Microsemi, Aeroflex, Peregrine, Syfer, Eurofarad, Texas Instrument, Miteq, Cobham, E2V, MA-COM, Hittite, Mini-Circuits, General Dynamics и др.);

Помимо этого, одним из направлений компании «ЭлектроПласт» является направление «Источники питания». Мы предлагаем Вам помощь Конструкторского отдела:

- Подбор оптимального решения, техническое обоснование при выборе компонента;
- Подбор аналогов;
- Консультации по применению компонента;
- Поставка образцов и прототипов;
- Техническая поддержка проекта;
- Защита от снятия компонента с производства.



Как с нами связаться

Телефон: 8 (812) 309 58 32 (многоканальный)

Факс: 8 (812) 320-02-42

Электронная почта: org@eplast1.ru

Адрес: 198099, г. Санкт-Петербург, ул. Калинина, дом 2, корпус 4, литера А.