

PULSEJACK™

Surface Mount 1x1



Description:

10/100Base-TX surface mount RJ45 single port (1x1) Tab-UP/DOWN with or without LEDs Integrated Magnetics Connector, designed to support applications such as: Set Top Box and Network Interface Cards (NIC).



Features and Benefits:

- ☑ RoHS peak reflow temperature rating 245°C
- ☑ JOC SMT product, reduced size and low cost alternative to JV series

Electrical Performance Summary:

- ☑ Meets IEEE 802.3 specification
- ☑ High performance for maximum EMI suppression
- ☑ Minimum 1500Vrms isolation per IEEE 802.3 requirement

Electrical Specifications @ 25°C — Operating Temperature 0°C to +70°C

RoHS Compliant Part No.	Turns Ratios		Tab Option Up/Down	LEDs' L/R	BST Circuit	EMI Finger	Insertion Loss (db MAX)		Return Loss (dB MIN) 100Ω (±15%)				Crosstalk (db MIN)			Common Mode Rejection (dB MIN)		Hipot (Vrms MIN)
	TX	RX					1-65 MHz	1-10 MHz	30 MHz	60-80 MHz	1-10 MHz	30-60 MHz	60-100 MHz	1-50 MHz	50-130 MHz	@ 60 Hz 1 MIN		
JOC-0003NL	1CT:1	1CT:1	Down	No	No	No	-1.0	-18	-14	-10	-35	-35	-30	-20	-20	1500		
JOC-0004NL	1CT:1	1CT:1	Down	No	No	Yes	-1.0	-18	-14	-10	-35	-35	-30	-20	-20	1500		
JOC-0005NL	1CT:1	1CT:1	Down	No	Yes	No	-1.0	-18	-14	-10	-35	-35	-30	-20	-20	1500		
JOC-0006NL	1CT:1	1CT:1	Down	No	Yes	Yes	-1.0	-18	-14	-10	-35	-35	-30	-20	-20	1500		
JV006I21NL	1CT:1	1CT:1	Down	No	No	Yes	-1.0	-20	-16	-12	-40	-35	-30	-30	-20	1500		
JV011I21NL	1CT:1	1CT:1	Down	No	Yes	Yes	-1.0	-20	-16	-12	-40	-35	-30	-30	-20	1500		
JV026I21NL	1CTS:1	1CT:1	Down	No	Yes	Yes	-1.0	-20	-16	-12	-40	-35	-30	-30	-20	1500		
J3006G21DNL	1CT:1	1CT:1	Up	G/Y	No	Yes	-1.0	-20	-16	-12	-40	-35	-30	-30	-20	1500		
J3011G21DNL	1CT:1	1CT:1	Up	G/Y	Yes	Yes	-1.0	-20	-16	-12	-40	-35	-30	-30	-20	1500		
J3018G21KNL	1CTS:1.414	1CT:1	Up	G/G	Yes	Yes	-1.0	-20	-16	-11.5	-40	-35	-30	-30	-20	1500		
J3026G01DNL	1CTS:1	1CT:1	Up	G/Y	Yes	No	-1.0	-20	-16	-12	-40	-35	-30	-30	-20	1500		
J3026G21DNL	1CTS:1	1CT:1	Up	G/Y	Yes	Yes	-1.0	-20	-16	-12	-40	-35	-30	-30	-20	1500		
JX30-0005NL ³	1CT:1	1CT:1	Up	G/Y	Yes	Yes	-1.0	-20	-16	-12	-40	-35	-30	-30	-20	1500		

NOTES:

- LEDs Left/Right: **G** = green; **Y** = yellow.
- Add suffix "T" for Tape & Reel option (e.g. JOC-0004T).
- Extended Temperature: -40° to 85° C

RJ45 Durability Testing Rating

Part Number	Mating Force (MAX)	Unmating Force (MAX)	Durability	Plug to Jack Retention (MIN)
JOC/JV/J3 Series	5 lbs./2.268 kgs.	5 lbs./2.268 kgs.	750 Insertions	20 lbs./9.072 kgs.

RJ45 Material Specification

Part Number	Shield		Contact			Housing		MSL ² Rating
	Material	Finish	Material	Plating Area ³	Solder Area ⁵	Material	Specification	
JOC/JV/J3 Series	Brass	20-40μ inches thick nickel over Brass	Phosphor Bronze	(X)μ inches gold over 30-80μ inches nickel	Tin matte finish	High Temp. Thermoplastic	UL 94 V-0	1 ⁴

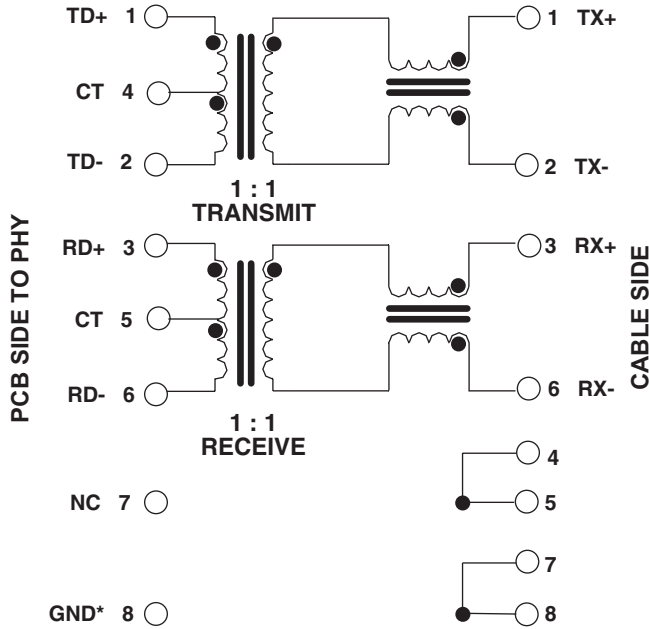
- Notes: 1. Connector dimensions comply with FCC part 68 dimension requirements. 2. MSL=Moisture Sensitivity Level rating: 1-5 (highest rating = 1, lowest rating = 5). 3. (X)=30μ inches gold for JV and J30 platforms and 15μ inches gold for JOC platform. 4. The MSL rating for JOC-000X is Level 4. All other connectors are Level 1. 5. NL parts are tin matte finish over nickel.

USA 858 674 8100 • Germany 49 7032 7806 0 • Singapore 65 6287 8998 • Shanghai 86 21 62787060 • China 86 755 33966678 • Taiwan 886 3 4643715

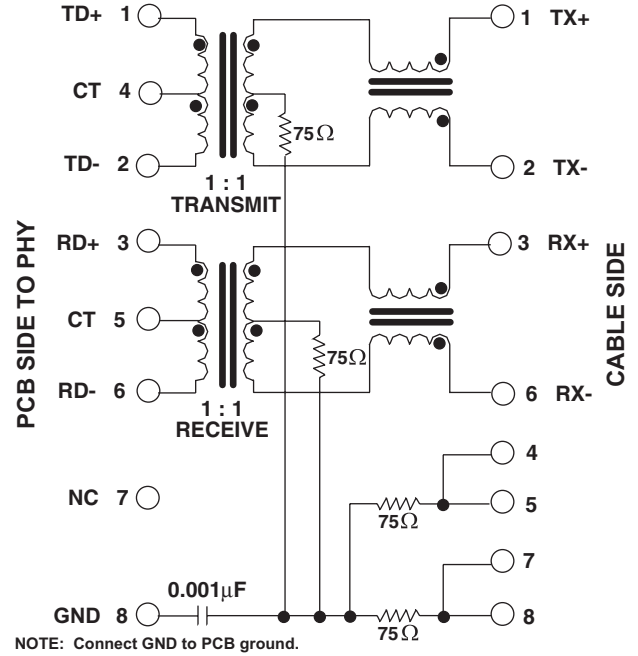
J0C Platform Schematics

J0C-0003NL/04NL

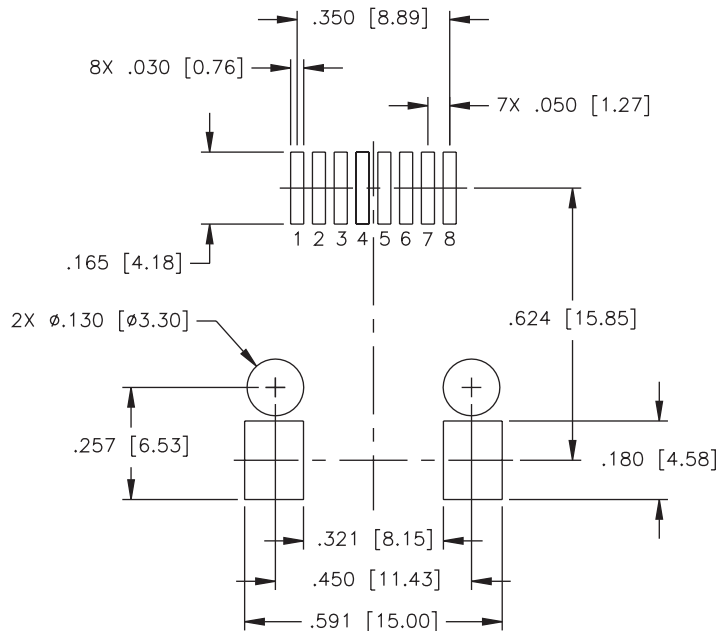
J0C-0005NL/06NL



*Connecting pin 8 to Ground makes J00-0042/46/64/66 footprint compatible to J00-0014/45/61/65.



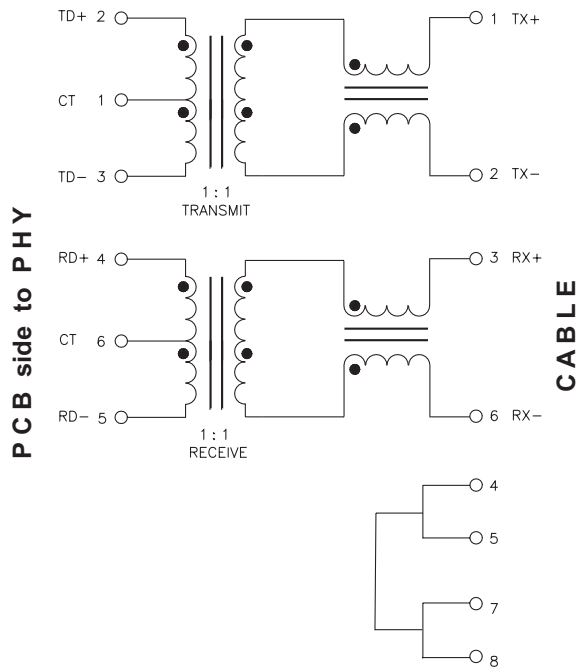
NOTE: Connect GND to PCB ground.



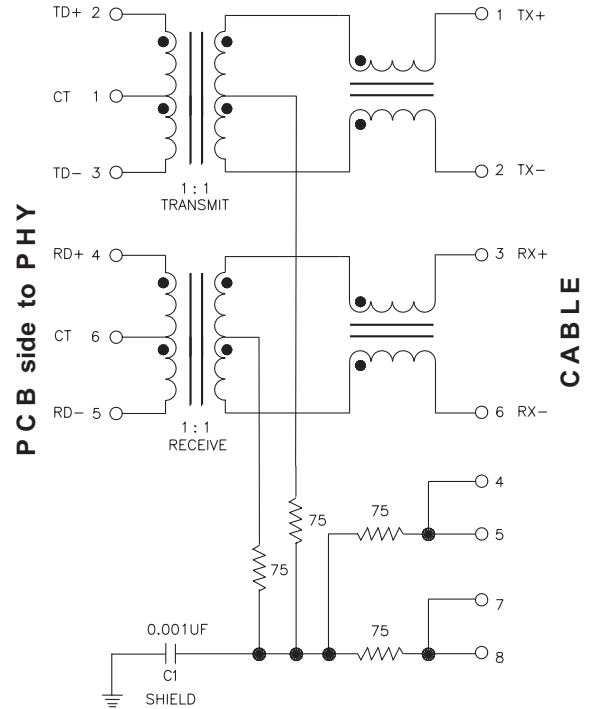
SUGGESTED FOOTPRINT (COMPONENT SIDE SHOWN)
 DIMENSIONAL TOLERANCE: (UNLESS OTHERWISE SPECIFIED)
 .XXX ±.003 [X.XX ±0.08]

JV Platform Schematics

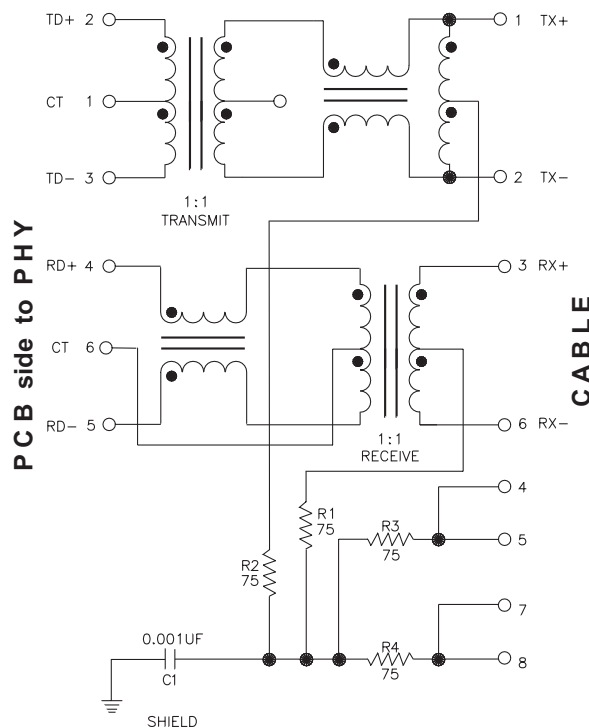
JV006



JV011

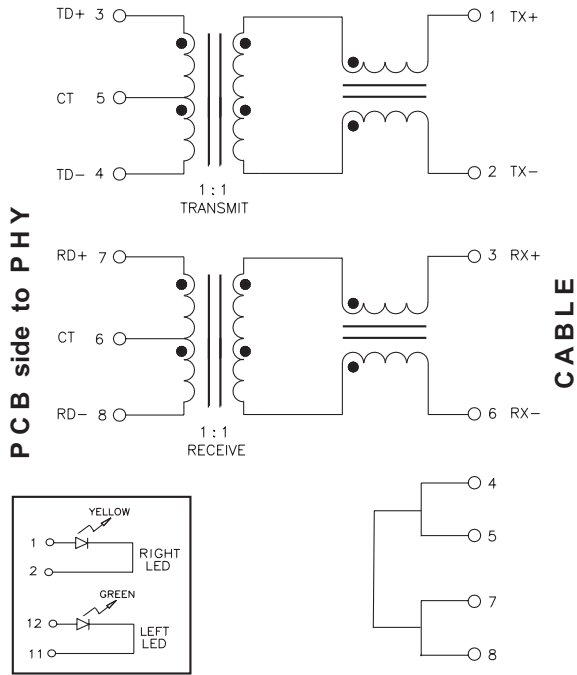


JV026

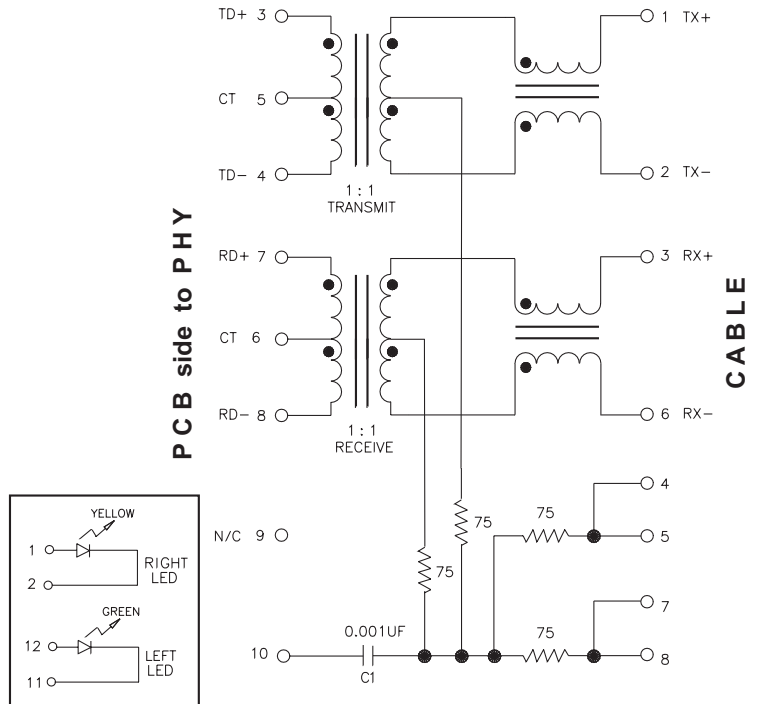


J3 Platform Schematics

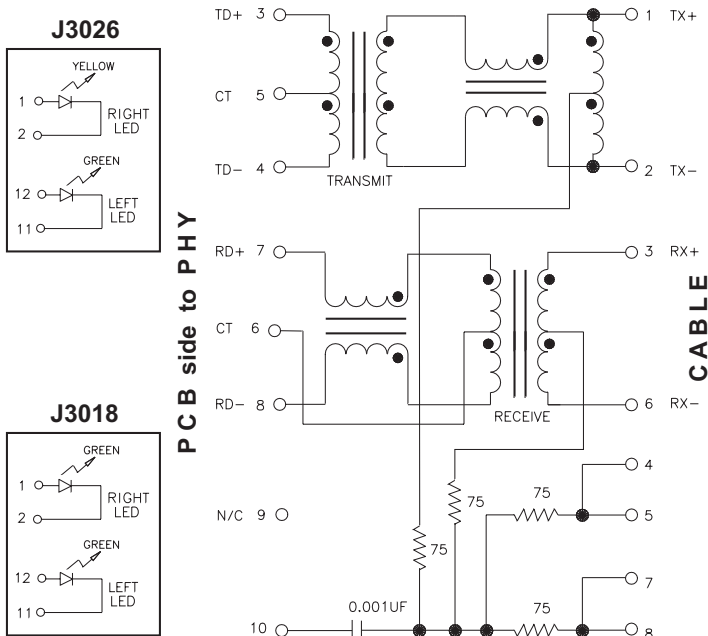
J3006



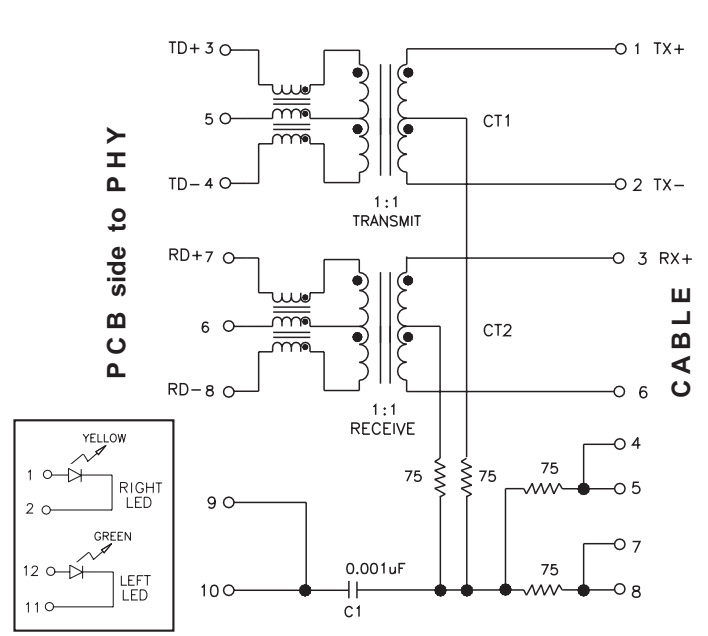
J3011



J3018/J3026



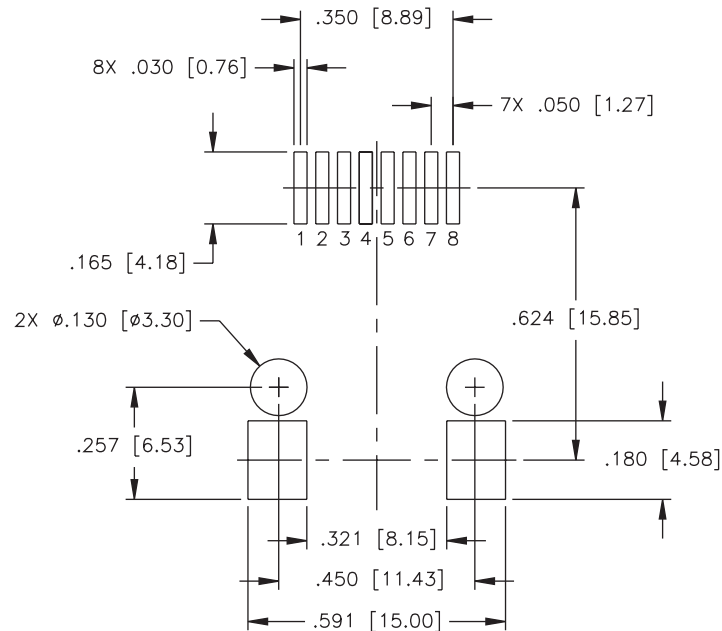
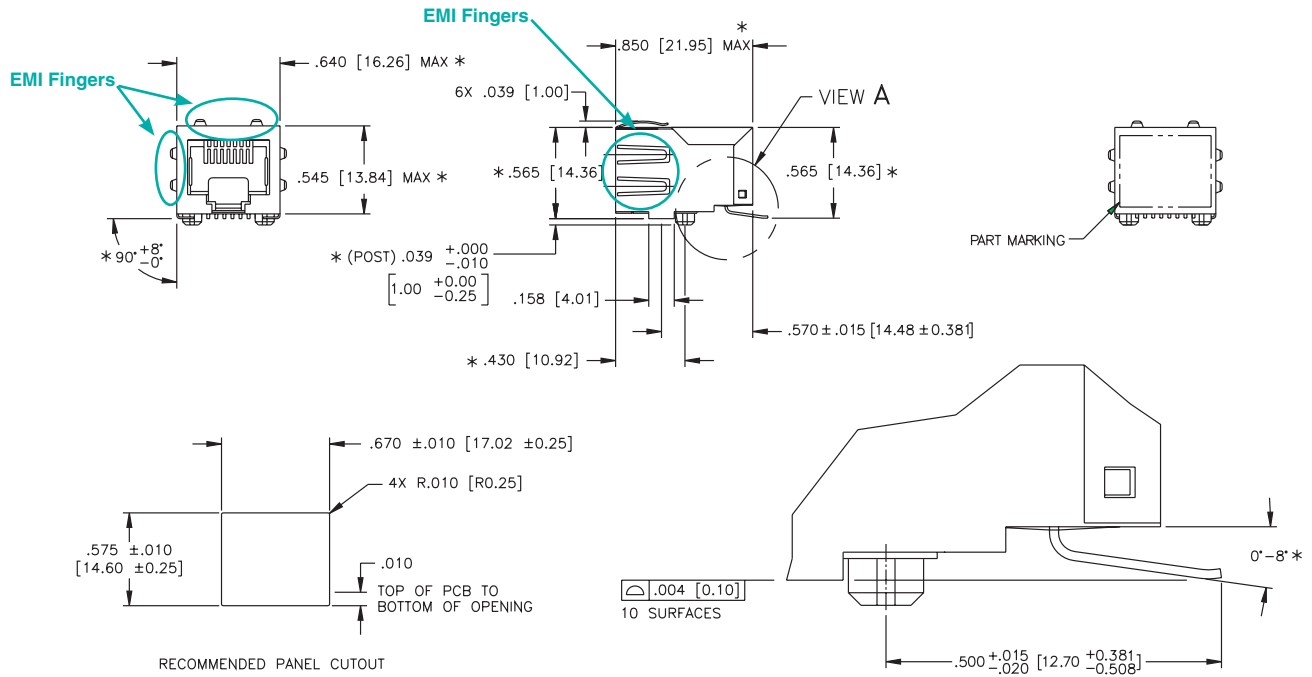
JX30-0005NL



J0C Platform Mechanicals

J0C-0004NL/06NL

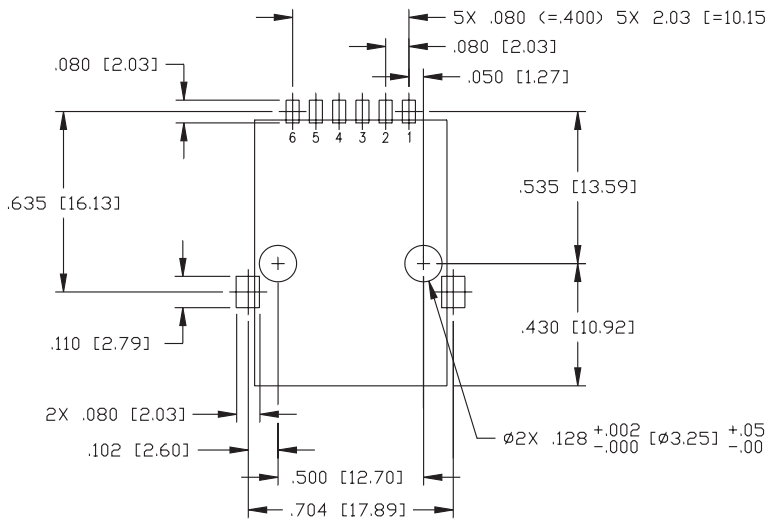
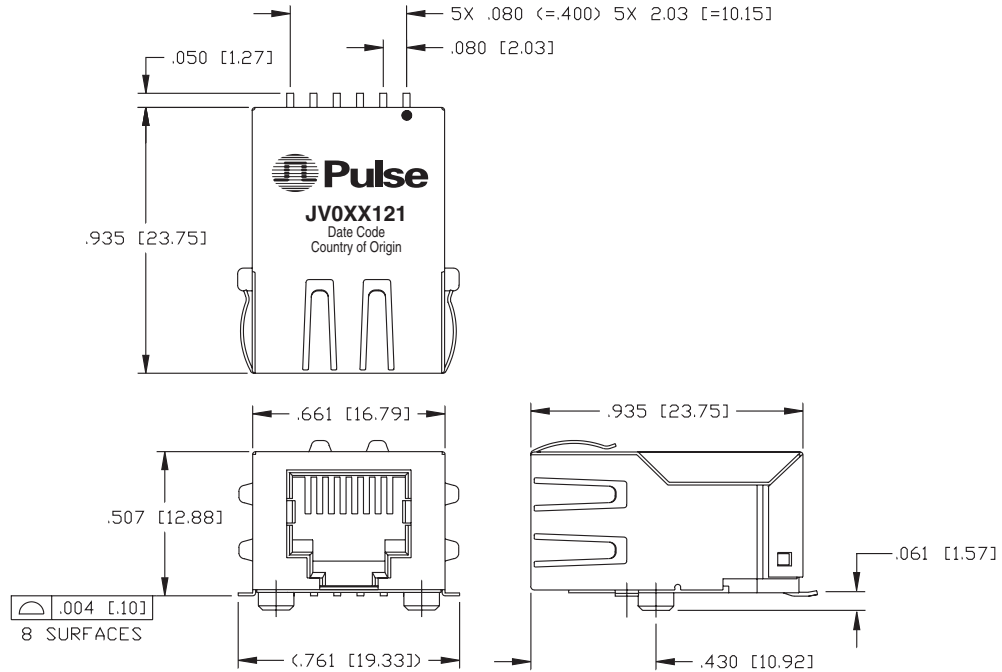
(J0C-0003NL/05NL - Same platform without



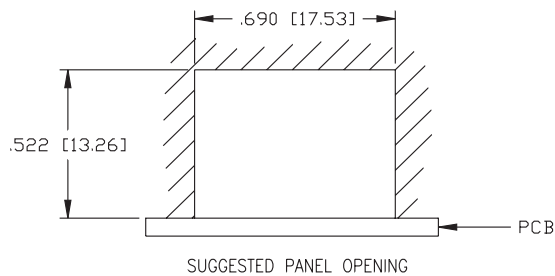
SUGGESTED FOOTPRINT (COMPONENT SIDE SHOWN)
 DIMENSIONAL TOLERANCE: (UNLESS OTHERWISE SPECIFIED)
 .XXX ±.003 [X.XX ±0.08]

JV Platform Mechanicals

JV Series



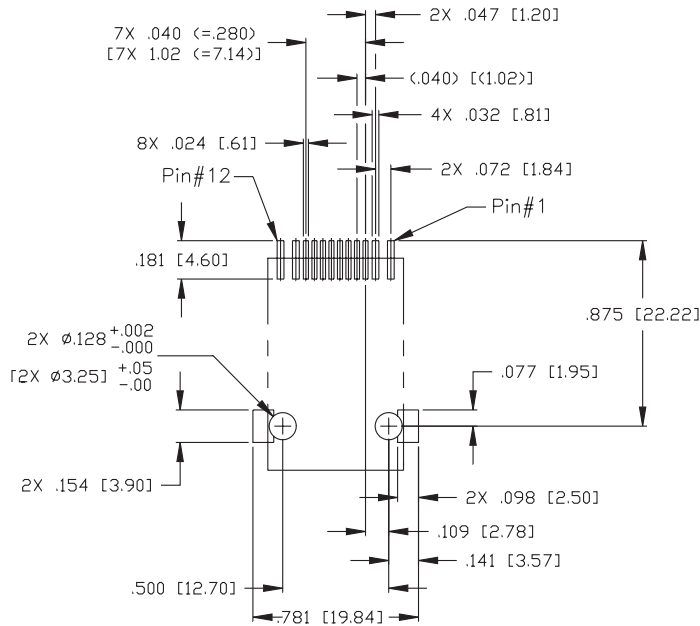
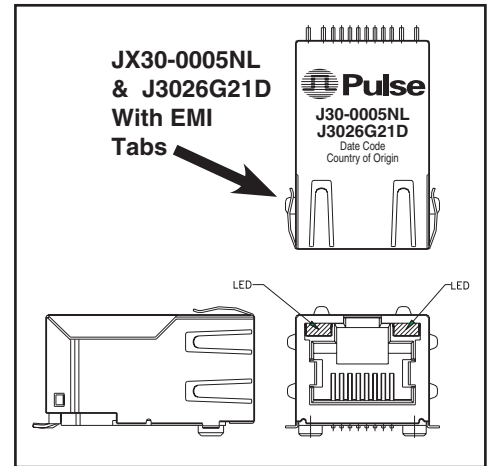
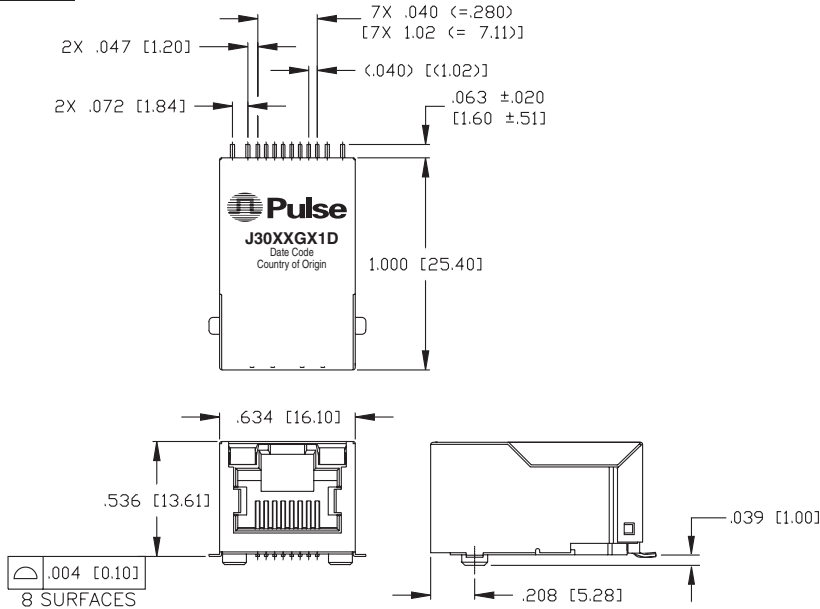
SUGGESTED PC BOARD LAYOUT VIEWED FROM COMPONENT SIDE
PCB LAYOUT DIMENSIONS TO BE $\pm .003$ UNLESS OTHERWISE SPECIFIED



Dimensions: $\frac{\text{Inches}}{\text{mm}}$
Unless otherwise specified,
all tolerances are $\pm \frac{.010}{0,25}$

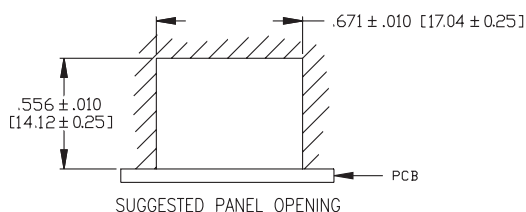
J3 Platform Mechanical

J3 Series



Dimensions: $\frac{\text{Inches}}{\text{mm}}$
 Unless otherwise specified,
 all tolerances are $\pm \frac{.010}{0,25}$

SUGGESTED PC BOARD LAYOUT VIEWED FROM COMPONENT SIDE
 PCB LAYOUT DIMENSIONS TO BE ± 0.003 [± 0.08] UNLESS OTHERWISE SPECIFIED



J0C Application Note

This line of 10/100Base-TX SMT RJ45 1X1 Connector Magnetics Modules has been specifically designed for the implementation of a 10Base-T and 100Base-TX transmission over data-grade unshielded twisted pair cable (UTP-3, 5e and 6).

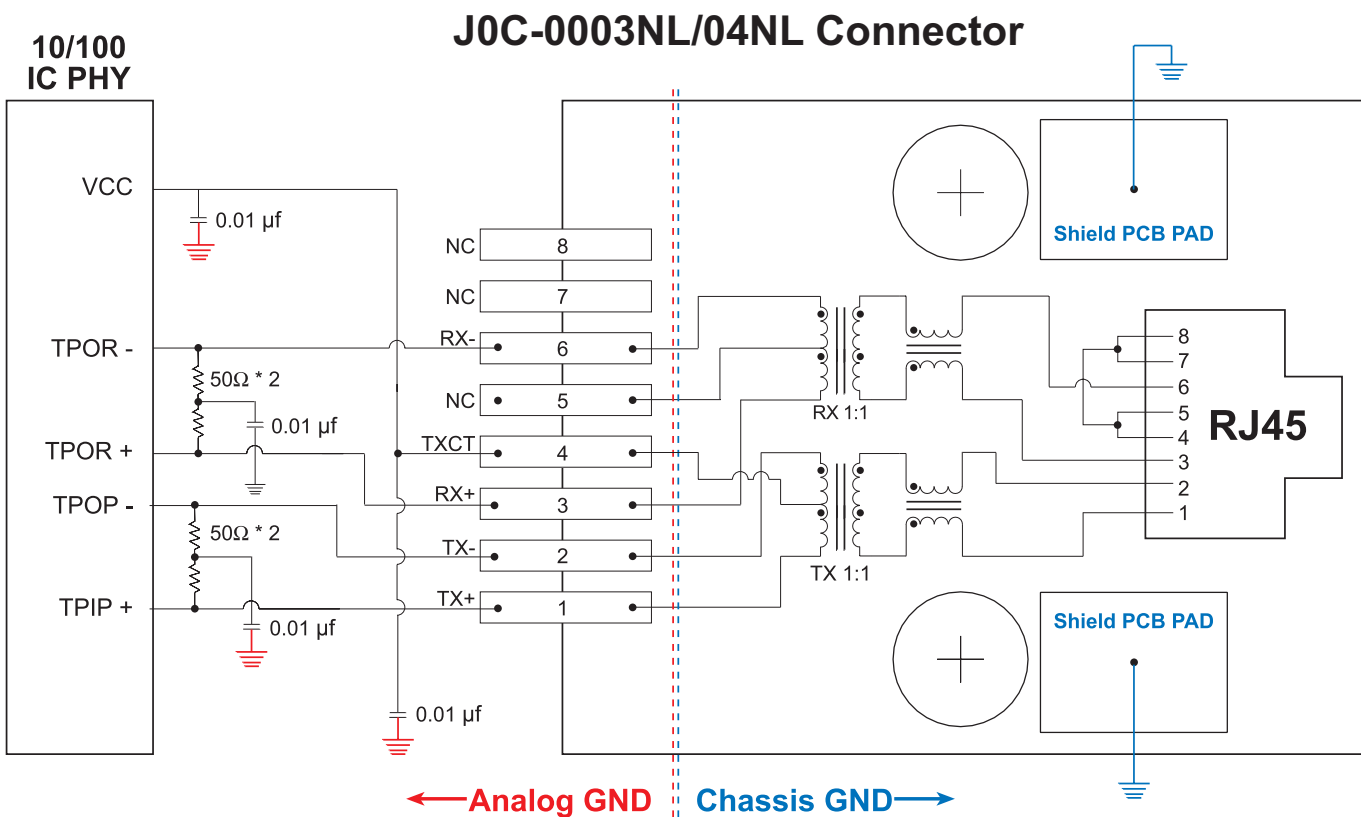
The connectors provide excellent EMI filtering and are suitable for adapter card and multiport applications. Pulse has worked closely with the leading IC manufacturers in providing these 10/100 solutions, thereby assuring compatibility with each transceiver.

The J0C series meets the stringent open circuit inductance requirements imposed by IEEE. When an 8mA DC current is applied across the transformer windings, the transformer will provide at least 350µH. The transformers used in each module also provide 1500Vrms minimum isolation, wide bandwidth with

minimal attenuation and fast rise times to minimize system level jitter.

The 1X1 SMT RJ45 connectors manufactured by Pulse are designed to meet all published specifications after exposure to surface mount soldering temperatures. The SMT are robust enough to withstand convection and infrared reflow solder temperatures. Additionally, compliant leads provide excellent solder-joint reliability with a coplanarity of 0.10mm (0.004")

NOTE: Modules are packaged in trays, unless Tape & Reel is specified (ex: J0C-0003NL for Trays and J0C-0003NLT for Tape & Reel).



PCB Layout Recommendations:

1. For maximum EMI suppression (electromagnetic interference) place the decoupling capacitors adjacent to Vcc and 50Ω connections.
2. Connections to ground should be as short as possible.
3. Connections between the 10/100 IC and the SMT connector should be direct (ideally no change in direction) and of minimum length.

JV Application Note

This line of 10/100Base-TX SMT RJ45 1X1 Connector Magnetics Modules has been specifically designed for the implementation of a 10Base-T and 100Base-TX transmission over data-grade unshielded twisted pair cable (UTP-3, 5e and 6).

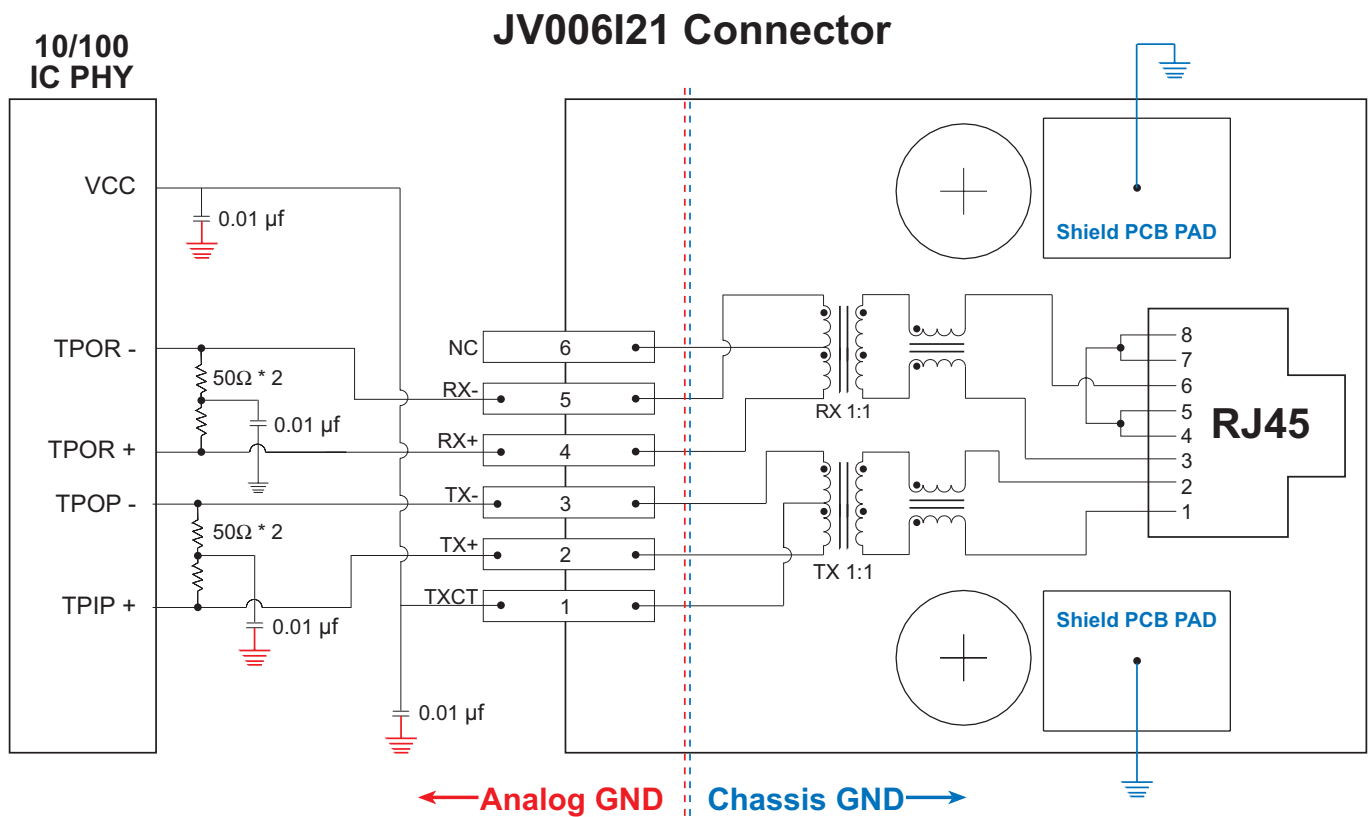
The connectors provide excellent EMI filtering and are suitable for adapter card and multiport applications. Pulse has worked closely with the leading IC manufacturers in providing these 10/100 solutions, thereby assuring compatibility with each transceiver.

The JV series meets the stringent open circuit inductance requirements imposed by IEEE. When an 8mA DC current is applied across the transformer windings, the transformer will provide at least 350µH. The transformers used in each module also provide 1500Vrms minimum isolation, wide bandwidth with

minimal attenuation and fast rise times to minimize system level jitter.

The 1X1 SMT RJ45 connectors manufactured by Pulse are designed to meet all published specifications after exposure to surface mount soldering temperatures. The SMT are robust enough to withstand convection and infrared reflow solder temperatures. Additionally, compliant leads provide excellent solder-joint reliability with a coplanarity of 0.10mm (0.004")

NOTE: Modules are packaged in trays, unless Tape & Reel is specified. Please add the suffix "T" for Tape & Reel orders (ex: JV006I21T). Add the suffix "NL" for RoHS compliant parts (ex: JV006I21NL for Trays and JV006I21NLT for Tape & Reel).



NOTE: Connector design not to scale

PCB Layout Recommendations:

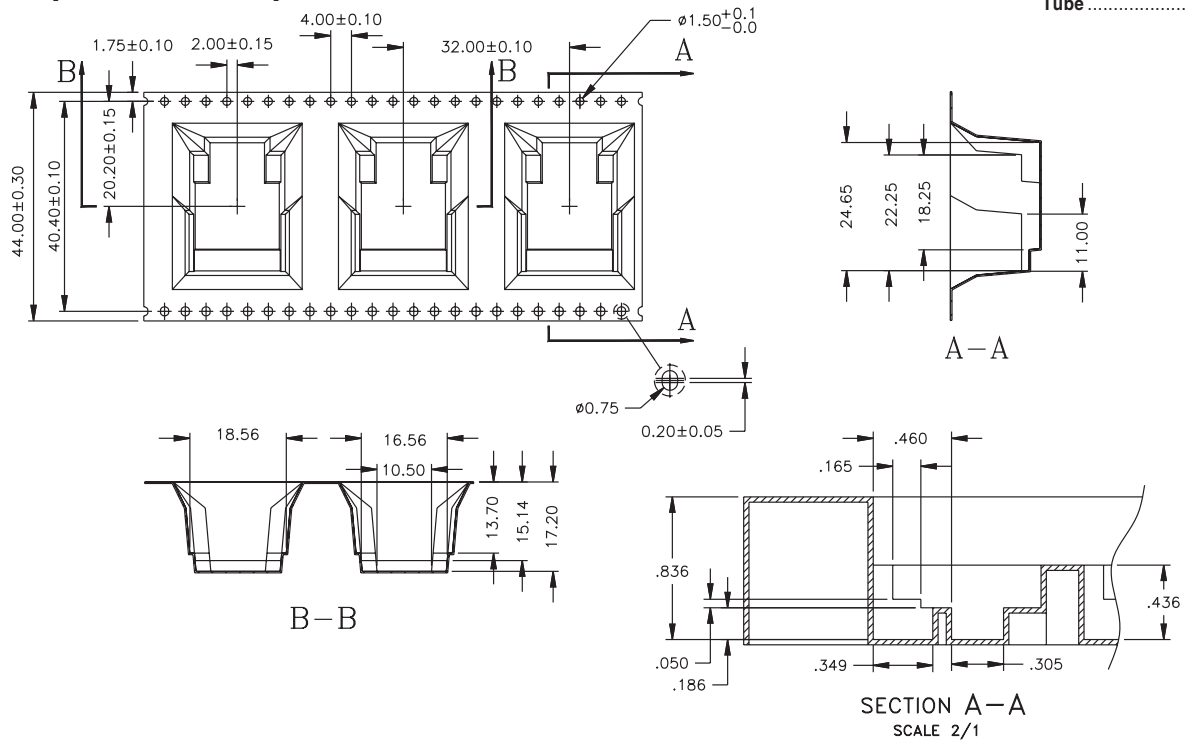
1. For maximum EMI suppression (electromagnetic interference) place the decoupling capacitors adjacent to Vcc and 50Ω connections.
2. Connections to ground should be as short as possible.
3. Connections between the 10/100 IC and the SMT connector should be direct (ideally no change in direction) and of minimum length.

J0C Packaging Specifications

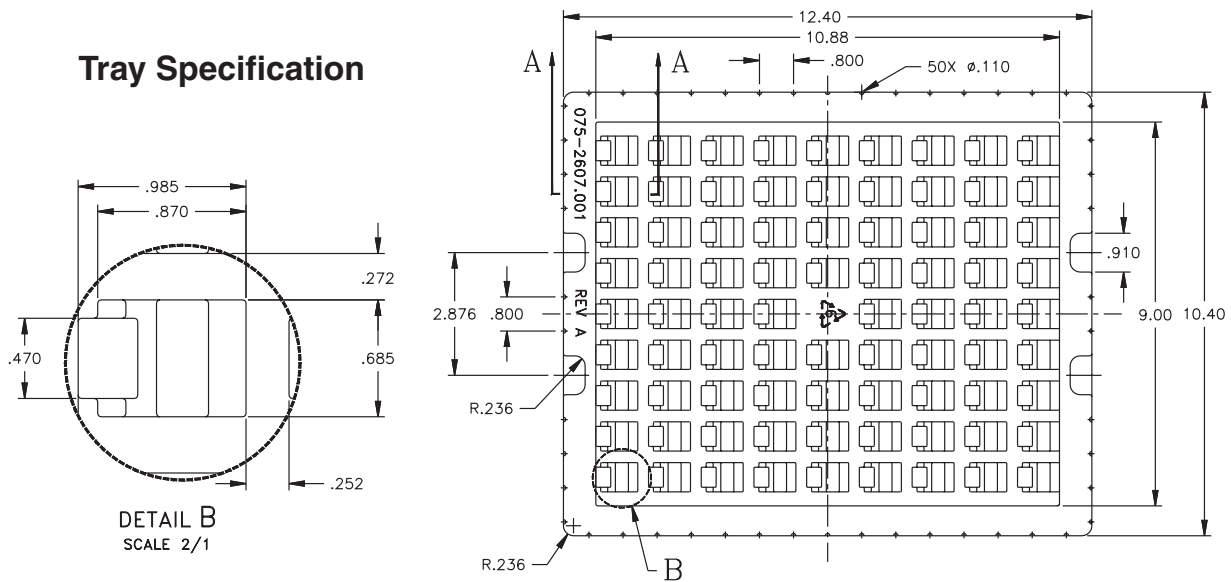
J0C Series

Weight.....7.07 grams
 Tape & Reel..... 90/reel
 Tray 80/tray
 Tape 44x32mm
 Tube 25/tube

Tape and Reel Specification



Tray Specification

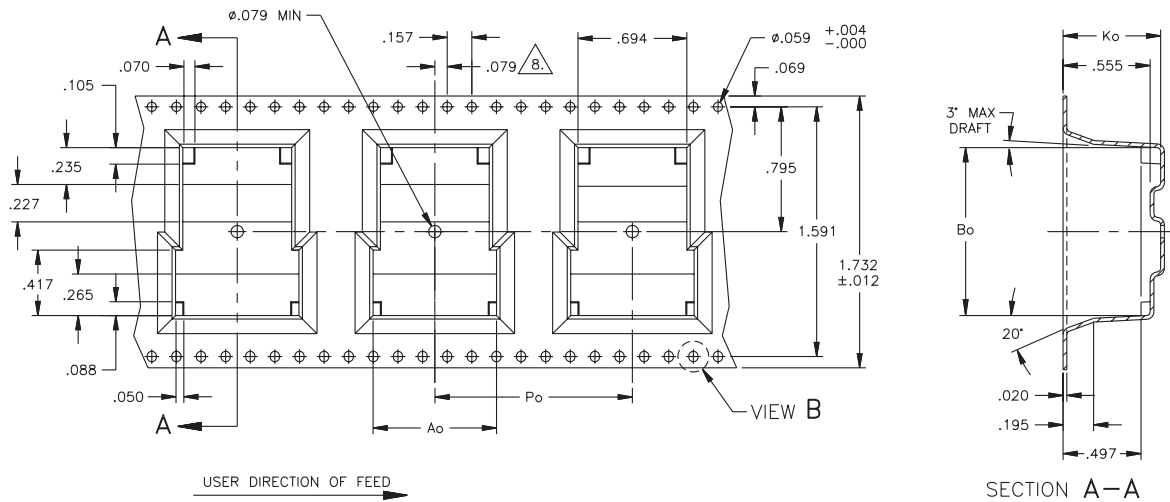


JV Packaging Specifications

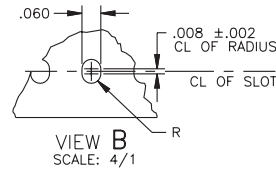
JV Series

Weight.....6.6 grams
 Tape & Reel..... 150/reel
 Tray..... 45/tray
 Tape..... 44x32mm

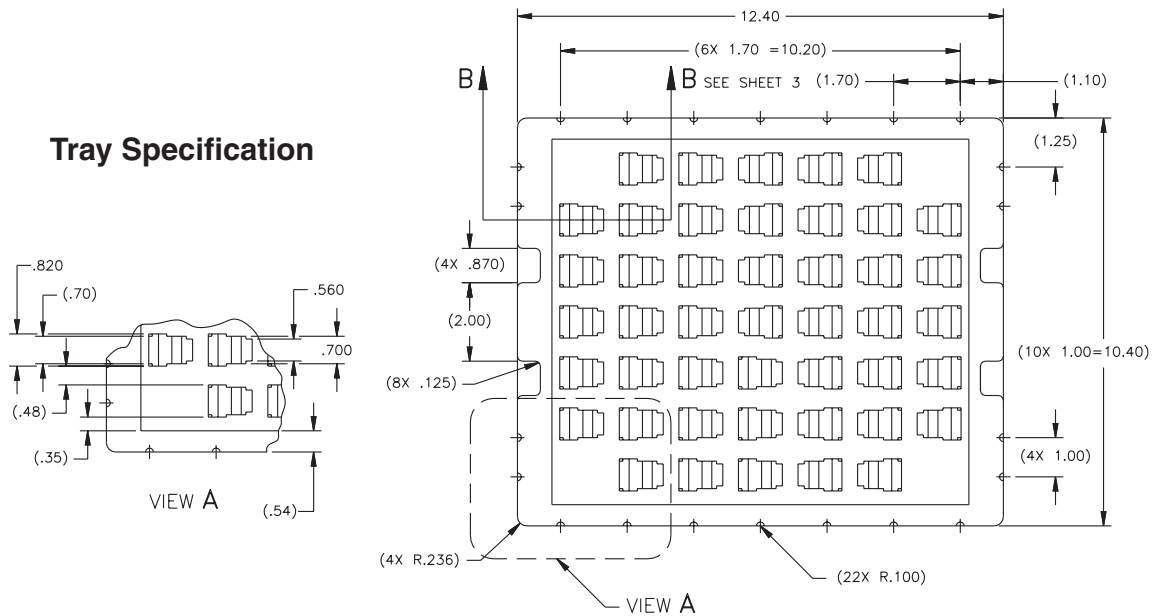
Tape and Reel Specification



DIM CHART	
Ao	.787
Bo	1.050
Ko	.618
Po	1.260



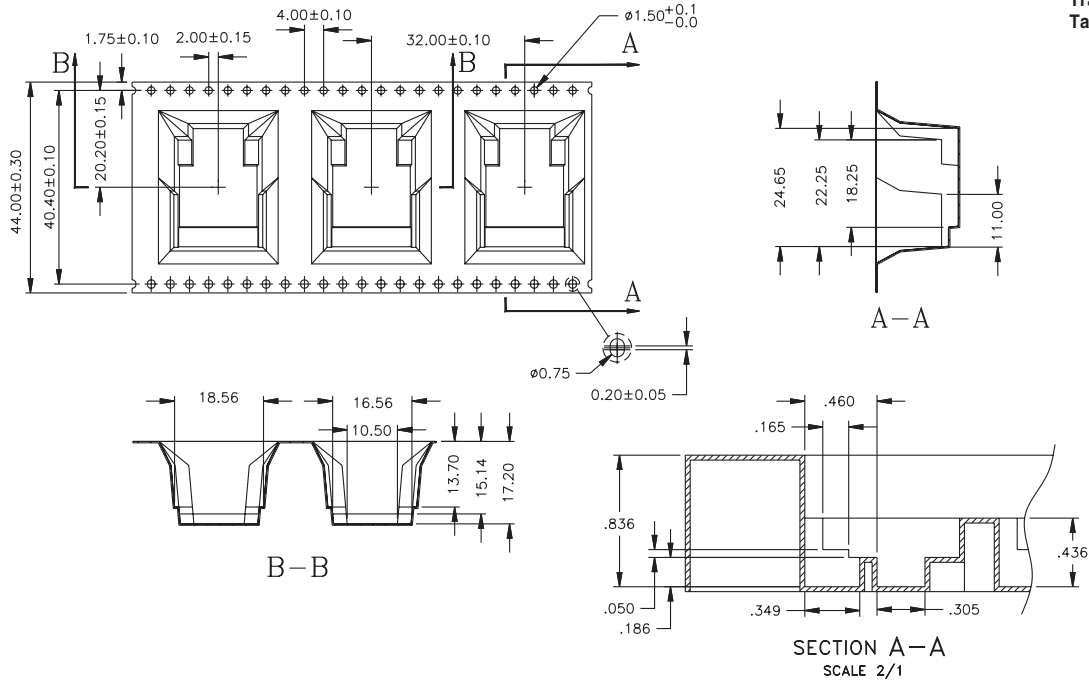
Tray Specification



J3 Packaging Specifications

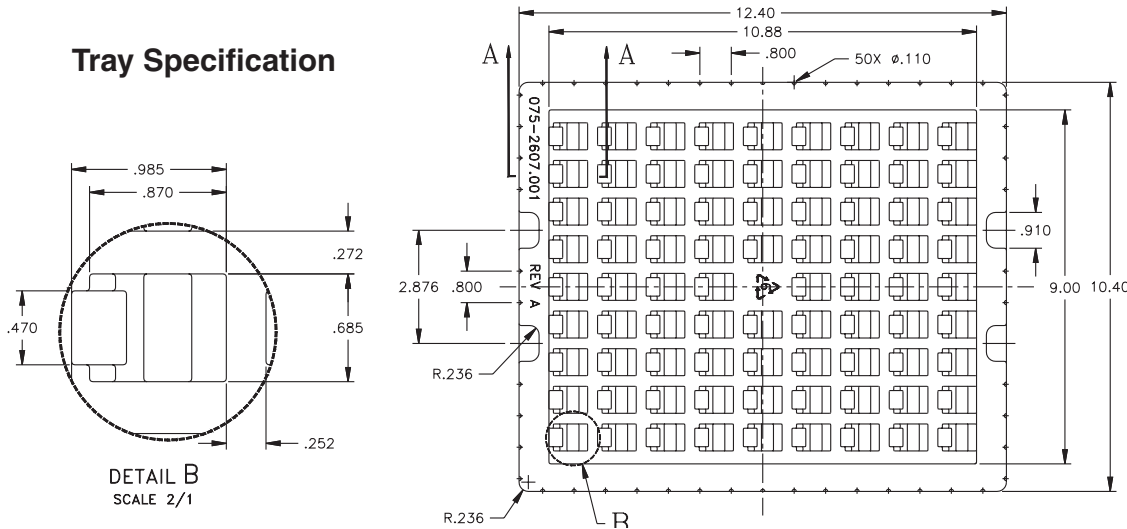
J3 Series

Tape and Reel Specification



Weight.....8.1 grams
 Tape & Reel..... 75/reel
 Tray 45/tray
 Tape56x32mm

Tray Specification



For More Information:

Pulse Worldwide Headquarters

Two Pearl Buck Court
 Bristol, PA 19007
 U.S.A.

www.pulseeng.com

Tel: 215 781 6400

Fax: 215 781 6403

Pulse Europe

Einsteinstrasse 1
 D-71083 Herrenberg
 Germany

Tel: 49 7032 7806 0

Fax: 49 7032 7806 135

Pulse China Headquarters

B402, Shenzhen Academy of
 Aerospace Technology Bldg.
 10th Kejinan Rd.
 High-Tech Zone
 Nanshan District
 Shenzhen, PR China 518057

Tel: 86 755 33966678

Fax: 86 755 33966700

Pulse North China

Room 2704/2705
 Super Ocean Finance Ctr.
 2067 Yan An Rd. West
 Shanghai 200336
 China

Tel: 86 21 62787060

Fax: 86 2162786973

Pulse South Asia

135 Joo Seng Rd.
 #03-02
 PM Industrial Bldg.
 Singapore 368363

Tel: 65 6287 8998

Fax: 65 6280 0080

Pulse North Asia

No. 26, Kao Ching Rd.
 Yang Mei Chen
 Taoyuan Hsien
 Taiwan
 R. O. C.

Tel: 886 3 4643715

Fax: 886 3 4641911

Performance warranty of products offered on this data sheet is limited to the parameters specified. Data is subject to change without notice. Other brand and product names mentioned herein may be trademarks or registered trademarks of their respective owners. © Copyright, 2009. Pulse Engineering, Inc. All rights reserved.



Компания «ЭлектроПласт» предлагает заключение долгосрочных отношений при поставках импортных электронных компонентов на взаимовыгодных условиях!

Наши преимущества:

- Оперативные поставки широкого спектра электронных компонентов отечественного и импортного производства напрямую от производителей и с крупнейших мировых складов;
- Поставка более 17-ти миллионов наименований электронных компонентов;
- Поставка сложных, дефицитных, либо снятых с производства позиций;
- Оперативные сроки поставки под заказ (от 5 рабочих дней);
- Экспресс доставка в любую точку России;
- Техническая поддержка проекта, помощь в подборе аналогов, поставка прототипов;
- Система менеджмента качества сертифицирована по Международному стандарту ISO 9001;
- Лицензия ФСБ на осуществление работ с использованием сведений, составляющих государственную тайну;
- Поставка специализированных компонентов (Xilinx, Altera, Analog Devices, Intersil, Interpoint, Microsemi, Aeroflex, Peregrine, Syfer, Eurofarad, Texas Instrument, Miteq, Cobham, E2V, MA-COM, Hittite, Mini-Circuits, General Dynamics и др.);

Помимо этого, одним из направлений компании «ЭлектроПласт» является направление «Источники питания». Мы предлагаем Вам помощь Конструкторского отдела:

- Подбор оптимального решения, техническое обоснование при выборе компонента;
- Подбор аналогов;
- Консультации по применению компонента;
- Поставка образцов и прототипов;
- Техническая поддержка проекта;
- Защита от снятия компонента с производства.



Как с нами связаться

Телефон: 8 (812) 309 58 32 (многоканальный)

Факс: 8 (812) 320-02-42

Электронная почта: org@eplast1.ru

Адрес: 198099, г. Санкт-Петербург, ул. Калинина, дом 2, корпус 4, литера А.