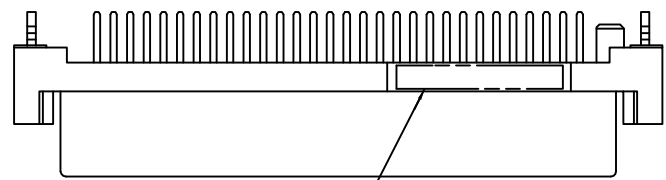


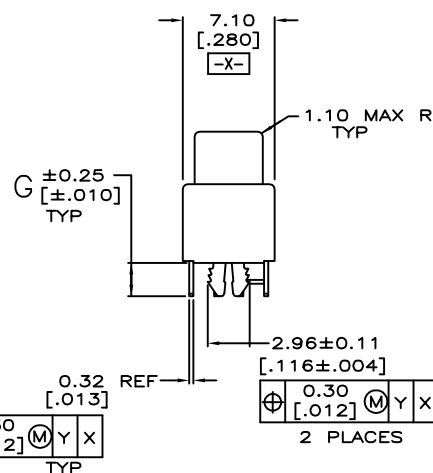
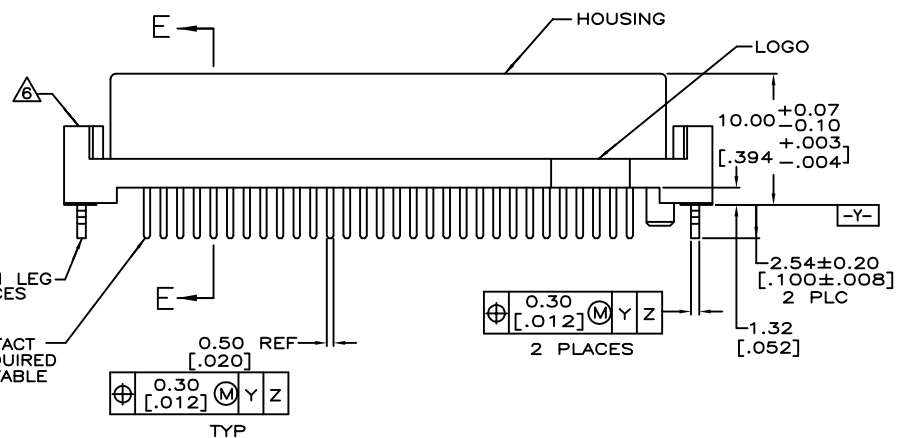
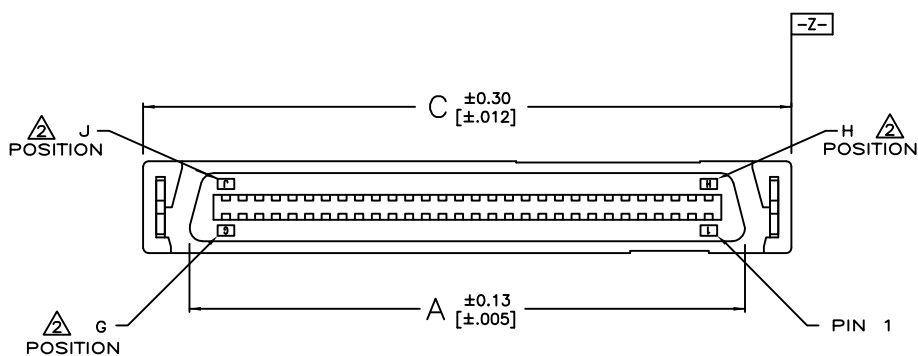
THIS DRAWING IS UNPUBLISHED. RELEASED FOR PUBLICATION AUG ,2006.

© COPYRIGHT BY TYCO ELECTRONICS CORPORATION. ALL RIGHTS RESERVED.

LOC	DIST	REVISIONS					
DW		P	LTR	DESCRIPTION	DATE	DWN	APVD
		E1		REVISED. ECR-12-013026	25MAR13	K.M	E.T



- MATERIALS:**
 HOUSING- PPA RESIN, BLACK, MOLDING COMPOUND.
 CONTACTS- PHOSPHOR BRONZE PLATED WITH MINIMUM THICK (SEE TABLE) GOLD IN CONTACT AREA AND 3.8μm [.000150] MINIMUM THICK MATTE TIN ON SOLDER TINES OVER 1.27μm [.000050] MINIMUM THICK NICKEL UNDERPLATE.
 RETENTION LEG- BRASS PLATED WITH 3.8μm [.000150] MINIMUM TIN-Cu OVER 1.3μm [.000051] MINIMUM NICKEL UNDERPLATE.
- G, J, AND H INDICATE NUMBER OF POSITION MARKED ON ASSEMBLY. ALSO SEE TABLE.
 ALL DIMENSIONS SHOWN ARE MAXIMUM UNLESS OTHERWISE SPECIFIED.
 4. 60 POSITION AS SHOWN.
 RETENTION LEGS NOT PRESENT.
 TOP OF RETENTION LEG MAY NOT PROTRUDE ABOVE THIS SURFACE.
 HOUSING BOW UP TO 0.30 [.012] ALLOWED.
 CONNECTOR WILL ACCOMMODATE MATING PRINTED CIRCUIT BOARD OF 1.6±0.07 [.063±.003] THICKNESS.
 ALWAYS RoHS/ELV COMPLIANT.
 WAVE SOLDER CAPABLE TO 265 C PER TE SPEC 109-202, CONDITION B.
 REMOVE CONTACT POSITION FROM #11~#17 AND #36~#42.
 RECOMMEND CARD EDGE DIM. (PAGE2)
 GOLD FLASH OVER 0.762μm [30μ"] MIN. PALLADIUM-NICKEL PLATED.
 OBSOLETE



LOC	DIST	P	LTR	DESCRIPTION	DATE	DWN	APVD
E1				GOLD FLASH	5-1734101-6		
E1		2.36	3.30	127.43	138.35	135.71	131.27
E1		[.093]	[.130]	[5.017]	[5.447]	[5.343]	[5.168]
E1				0.381um[15u"]	3-1734101-6		
E1					1-1734101-6		
E1		0.8-1.6	2.54	127.43	138.35	135.71	131.27
E1		[.031-.063]	[.100]	[5.017]	[5.447]	[5.343]	[5.168]
E1				0.381um[15u"]	3-1734101-5		
E1					1-1734101-5		
E1		0.8-1.6	2.54	102.03	112.95	110.31	105.87
E1		[.031-.063]	[.100]	[4.017]	[4.447]	[4.343]	[4.168]
E1				GOLD FLASH	5-1734101-4		
E1				0.381um[15u"]	3-1734101-4		
E1					1-1734101-4		
E1		2.36	3.30	76.63	87.55	84.91	80.47
E1		[.093]	[.130]	[3.017]	[3.447]	[3.343]	[3.168]
E1				GOLD FLASH	5-1734101-3		
E1				0.381um[15u"]	3-1734101-3		
E1					1-1734101-3		
E1		0.8-1.6	2.54	76.63	87.55	84.91	80.47
E1		[.031-.063]	[.100]	[3.017]	[3.447]	[3.343]	[3.168]
E1				GOLD FLASH	5-1734101-2		
E1				0.381um[15u"]	3-1734101-2		
E1					1-1734101-2		
E1		2.36	3.30	63.93	74.85	72.21	67.77
E1		[.093]	[.130]	[2.517]	[2.947]	[2.843]	[2.668]
E1				GOLD FLASH	5-1734101-1		
E1				0.381um[15u"]	3-1734101-1		
E1					1-1734101-1		
E1		0.8-1.6	2.54	63.93	74.85	72.21	67.77
E1		[.031-.063]	[.100]	[2.517]	[2.947]	[2.843]	[2.668]
E1				GOLD FLASH	5-1734101-0		
E1				0.381um[15u"]	3-1734101-0		
E1					1-1734101-0		
E1		0.8-1.6	2.54	51.23	62.15	59.51	55.07
E1		[.031-.063]	[.100]	[2.017]	[2.447]	[2.343]	[2.168]
E1				GOLD FLASH	5-1734101-8		
E1				0.381um[15u"]	3-1734101-8		
E1					1-1734101-8		
E1		2.36	3.30	51.23	62.15	59.51	55.07
E1		[.093]	[.130]	[2.017]	[2.447]	[2.343]	[2.168]
E1				GOLD FLASH	4-1734101-9		
E1				0.381um[15u"]	6-1734101-9		
E1					1734101-9		
E1		0.8-1.6	2.54	51.23	62.15	59.51	55.07
E1		[.031-.063]	[.100]	[2.017]	[2.447]	[2.343]	[2.168]
E1				GOLD FLASH	4-1734101-8		
E1				0.381um[15u"]	6-1734101-8		
E1					1734101-8		
E1		0.8-1.6	2.54	43.61	54.53	51.89	47.45
E1		[.031-.063]	[.100]	[1.717]	[2.147]	[2.043]	[1.868]
E1				GOLD FLASH	4-1734101-7		
E1				0.381um[15u"]	6-1734101-7		
E1					1734101-7		
E1		2.36	3.40	38.53	49.45	46.81	42.37
E1		[.093]	[.134]	[1.517]	[1.947]	[1.843]	[1.668]
E1				GOLD FLASH	4-1734101-6		
E1				0.381um[15u"]	6-1734101-6		
E1					1734101-6		
E1		2.36	3.30	32.18	43.10	40.46	36.02
E1		[.093]	[.100]	[1.267]	[1.697]	[1.593]	[1.418]
E1				GOLD FLASH	5-1734101-7		
E1				0.381um[15u"]	3-1734101-7		
E1					1-1734101-7		
E1		0.8-1.6	2.54	32.18	43.10	40.46	36.02
E1		[.031-.063]	[.100]	[1.267]	[1.697]	[1.593]	[1.418]
E1				GOLD FLASH	4-1734101-5		
E1				0.381um[15u"]	6-1734101-5		
E1					1734101-5		
E1		0.8-1.6	2.54	25.83	36.75	34.11	29.67
E1		[.031-.063]	[.100]	[1.017]	[1.447]	[1.343]	[1.168]
E1				GOLD FLASH	4-1734101-4		
E1				0.381um[15u"]	6-1734101-4		
E1					1734101-4		
E1		0.8-1.6	2.54	-	30.40	27.96	23.32
E1		[.031-.063]	[.100]	-	[1.197]	[1.101]	[.918]
E1				GOLD FLASH	4-1734101-3		
E1				0.381um[15u"]	6-1734101-3		
E1					1734101-3		

THIS DRAWING IS A CONTROLLED DOCUMENT.

DIMENSIONS: MM

TOLERANCES UNLESS OTHERWISE SPECIFIED:

0 PLC	± -
1 PLC	± -
2 PLC	± -
3 PLC	± -
4 PLC	± -
ANGLES	± -

MATERIAL: SEE NOTE

FINISH: SEE NOTE

TE Connectivity

RECEPTACLE ASSEMBLY, VERTICAL, BOARD-TO-BOARD, CHAMP.050, SERIES I,

108-57876

QUALIFICATION TEST REPORT

SIZE: A3

CAGE CODE: 00779

DRAWING NO: C=1734101

RESTRICTED TO

CUSTOMER DRAWING

SCALE: -

SHEET: 1 OF 4

REV: E1

4

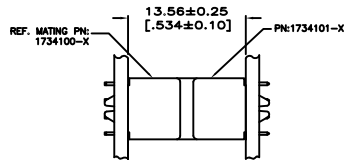
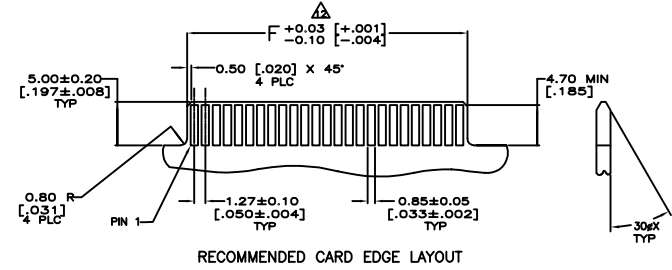
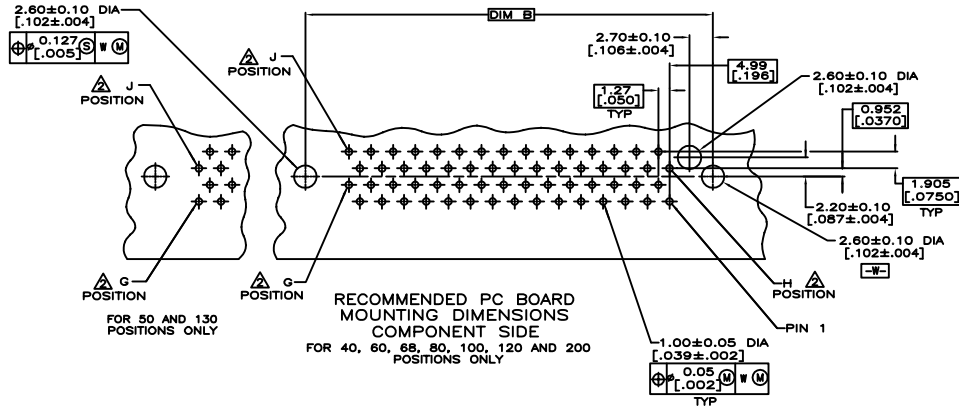
3

2

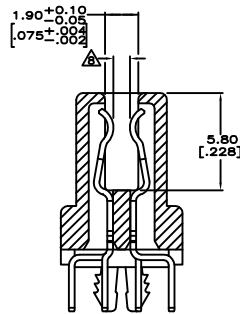
1

THIS DRAWING IS UNPUBLISHED. RELEASED FOR PUBLICATION AUG .2006.
 © COPYRIGHT - BY TYCO ELECTRONICS CORPORATION. ALL RIGHTS RESERVED.

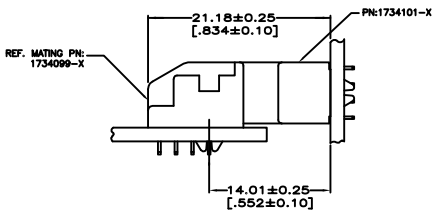
LOC	DIST	REVISIONS					
DW		P	LTR	DESCRIPTION	DATE	DWN	APVD
				SEE SHEET 1.			



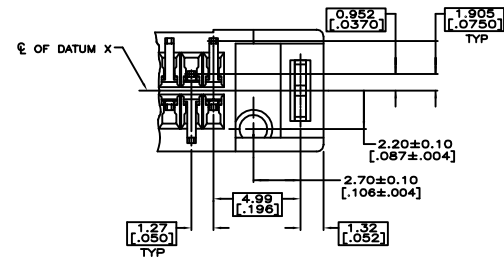
VERTICAL RECEPTACLE ASSEMBLY MATED TO VERTICAL PLUG ASSEMBLY



SECTION E-E SCALE 8:1



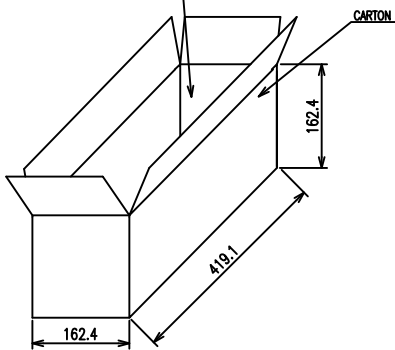
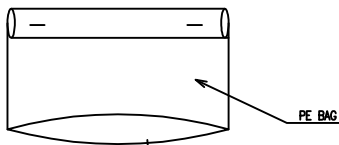
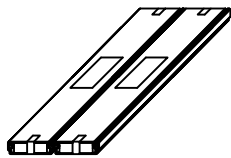
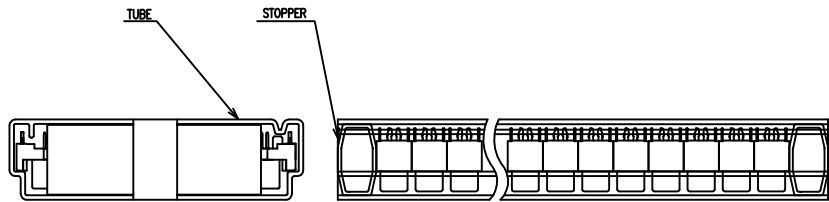
VERTICAL RECEPTACLE ASSEMBLY MATED TO VERTICAL PLUG ASSEMBLY



DETAIL D SCALE 8:1

THIS DRAWING IS A CONTROLLED DOCUMENT.		DWN				
DIMENSIONS: MM		CHK				
TOLERANCES UNLESS OTHERWISE SPECIFIED:		APVD	NAME			
0 PLC ± - 1 PLC ± - 2 PLC ± - 3 PLC ± - 4 PLC ± - ANGLES ± -		PRODUCT SPEC	RECEPTACLE ASSEMBLY, VERTICAL, BOARD-TO-BOARD, CHAMP.050, SERIES I,			
MATERIAL		QUALIFICATION TEST REPORT	SIZE	CAGE CODE	DRAWING NO	RESTRICTED TO
FINISH		WEIGHT	A3	00779	C=1734101	
CUSTOMER DRAWING			SCALE	SHEET	2 of 4	REV E1

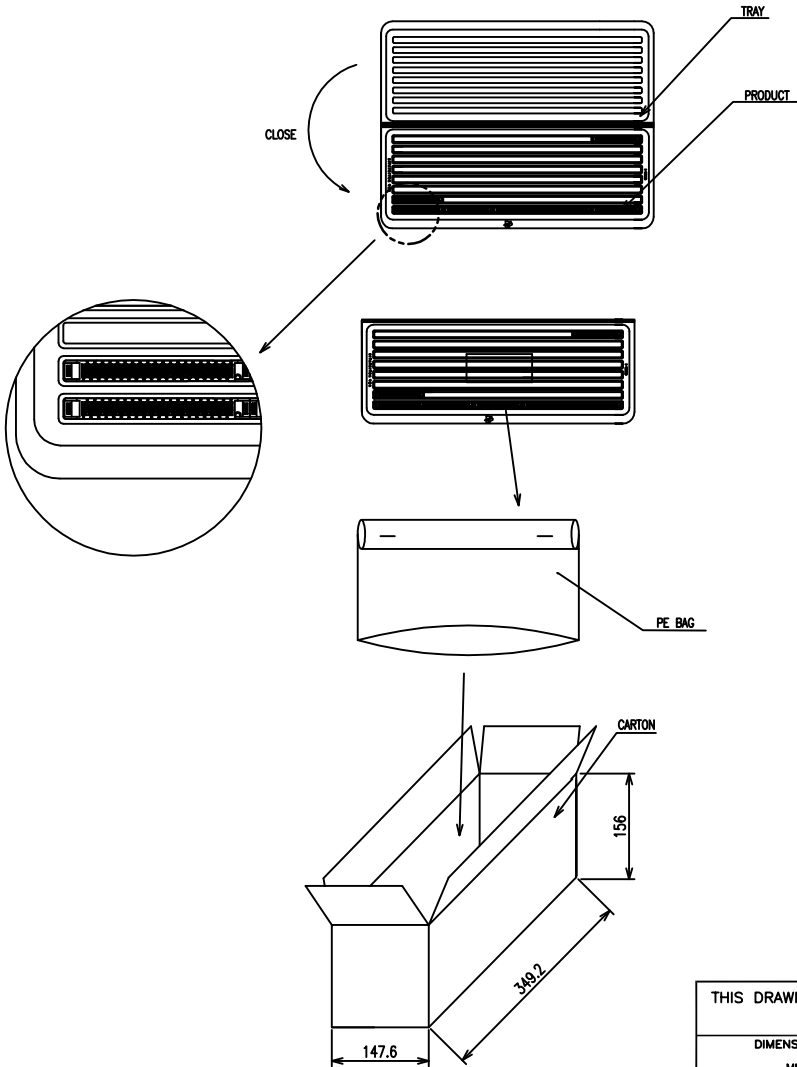
LOC	DIST	REVISIONS				
P	LTR	DESCRIPTION	DATE	DWN	APVD	
		SEE SHEET 1.				



QTY	DESCRIPTION	DATE	DWN	APVD	POS.		
120	OBSELETE				5-1734101-3 3-1734101-3 1-1734101-3 5-1734101-2 3-1734101-2 1-1734101-2		
100	OBSELETE				6-1734101-1 3-1734101-1 1-1734101-1 5-1734101-0 3-1734101-0 1-1734101-0		
80	OBSELETE				5-1734101-8 3-1734101-8 1-1734101-8 4-1734101-8 6-1734101-8 1734101-8		
68					4-1734101-7 6-1734101-7 1734101-7		
60					4-1734101-6 6-1734101-6 1734101-6		
50	OBSELETE				2-1734101-7 5-1734101-7 3-1734101-7 1-1734101-7 4-1734101-5 6-1734101-5 1734101-5		
40					4-1734101-4 6-1734101-4 1734101-4		
30					4-1734101-3 6-1734101-3 1734101-3		
	G.W./CARTON (KG)	N.W./CARTON (KG)	PCS/TUBE	TUBES/CARTON	QUANTITY/CARTON (PCS)	PART NUMBER	POS.

THIS DRAWING IS A CONTROLLED DOCUMENT.		DWN		TE Connectivity	
DIMENSIONS: MM		CHK			
TOLERANCES UNLESS OTHERWISE SPECIFIED:		APVD		NAME	
0 PLC ± - 1 PLC ± - 2 PLC ± - 3 PLC ± - 4 PLC ± - ANGLES ± -		PRODUCT SPEC		RECEPTACLE ASSEMBLY, VERTICAL, BOARD-TO-BOARD, CHAMP.050, SERIES I,	
MATERIAL		QUALIFICATION TEST REPORT		SIZE CAGE CODE DRAWING NO RESTRICTED TO	
FINISH		WEIGHT		A300779 C=1734101	
CUSTOMER DRAWING				SCALE	
				SHEET 3 OF 4 REV E1	

LOC	DIST	REVISIONS					
DW		P	LTR	DESCRIPTION	DATE	DWN	APVD
				SEE SHEET 1.			



E1	OBSOLETE	2.69	1.71	16	10	160	5-1734101-6	200
							3-1734101-6	
							1-1734101-6	
							3-1734101-5	
							1-1734101-5	
E1	OBSOLETE	2.37	1.39	16	10	160	5-1734101-4	160
							3-1734101-4	
							1-1734101-4	
							4-1734101-9	
		2.48	1.50	32	10	320	6-1734101-9	80
							1734101-9	
		G.W./CARTON (KG)	N.W./CARTON (KG)	PCS/TRAY	TRAYS/CARTON	QUANTITY/CARTON (PCS)	PART NUMBER	POS.

THIS DRAWING IS A CONTROLLED DOCUMENT.		DWN				
DIMENSIONS: MM		CHK				
TOLERANCES UNLESS OTHERWISE SPECIFIED:		APVD	NAME			
0 PLC ± -		PRODUCT SPEC	RECEPTACLE ASSEMBLY, VERTICAL, BOARD-TO-BOARD, CHAMP.050, SERIES I,			
1 PLC ± -		QUALIFICATION TEST REPORT	SIZE	CAGE CODE	DRAWING NO	RESTRICTED TO
2 PLC ± -			A3	00779	C=1734101	
3 PLC ± -		WEIGHT	CUSTOMER DRAWING			
4 PLC ± -			SCALE	SHEET	REV	
ANGLES ± -				4 OF 4	E1	
FINISH						



Компания «ЭлектроПласт» предлагает заключение долгосрочных отношений при поставках импортных электронных компонентов на взаимовыгодных условиях!

Наши преимущества:

- Оперативные поставки широкого спектра электронных компонентов отечественного и импортного производства напрямую от производителей и с крупнейших мировых складов;
- Поставка более 17-ти миллионов наименований электронных компонентов;
- Поставка сложных, дефицитных, либо снятых с производства позиций;
- Оперативные сроки поставки под заказ (от 5 рабочих дней);
- Экспресс доставка в любую точку России;
- Техническая поддержка проекта, помощь в подборе аналогов, поставка прототипов;
- Система менеджмента качества сертифицирована по Международному стандарту ISO 9001;
- Лицензия ФСБ на осуществление работ с использованием сведений, составляющих государственную тайну;
- Поставка специализированных компонентов (Xilinx, Altera, Analog Devices, Intersil, Interpoint, Microsemi, Aeroflex, Peregrine, Syfer, Eurofarad, Texas Instrument, Miteq, Cobham, E2V, MA-COM, Hittite, Mini-Circuits, General Dynamics и др.);

Помимо этого, одним из направлений компании «ЭлектроПласт» является направление «Источники питания». Мы предлагаем Вам помощь Конструкторского отдела:

- Подбор оптимального решения, техническое обоснование при выборе компонента;
- Подбор аналогов;
- Консультации по применению компонента;
- Поставка образцов и прототипов;
- Техническая поддержка проекта;
- Защита от снятия компонента с производства.



Как с нами связаться

Телефон: 8 (812) 309 58 32 (многоканальный)

Факс: 8 (812) 320-02-42

Электронная почта: org@eplast1.ru

Адрес: 198099, г. Санкт-Петербург, ул. Калинина, дом 2, корпус 4, литера А.