

PLEASE CHECK WWW.MOLEX.COM FOR LATEST PART INFORMATION

Part Number: [0529010874](#)
Status: **Active**
Description: 0.635mm (.025") Pitch SlimStack™ Receptacle, Surface Mount, Dual Row, Vertical Stacking, 11.00 to 16.00mm (.433 to .630") Stacking Heights, Embossed Tape with Cover Packaging, 80 Circuits, Lead-free

Documents:

[3D Model](#) [Product Specification PS-52760-015 \(PDF\)](#)
[Drawing \(PDF\)](#) [RoHS Certificate of Compliance \(PDF\)](#)

Agency Certification

UL E29179

General

Product Family PCB Receptacles
 Series [52901](#)
 Application Board-to-Board
 MolexKits Yes
 Product Name SlimStack™

Physical

Circuits (Loaded) 80
 Color - Resin White
 Durability (mating cycles max) 50
 Flammability 94V-0
 Glow-Wire Compliant No
 Lock to Mating Part None
 Mated Height (mm) 11.00 mm, 12.00 mm, 13.00 mm, 14.00 mm, 15.00 mm, 16.00 mm
 Material - Metal Phosphor Bronze
 Material - Plating Mating Gold
 Material - Plating Termination Tin
 Number of Rows 2
 Orientation Vertical
 PCB Locator Yes
 PCB Retention Yes
 Packaging Type Embossed Tape on Reel
 Pitch - Mating Interface (in) 0.025 In
 Pitch - Mating Interface (mm) 0.64 mm
 Polarized to PCB Yes
 Robotic Placement Pick and Place Cap
 Temperature Range - Operating -55°C to +85°C
 Termination Interface: Style Surface Mount

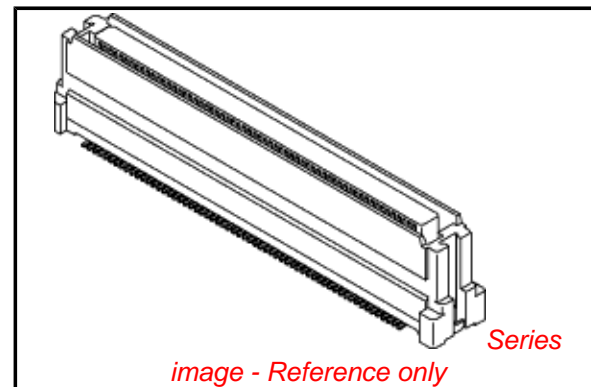
Electrical

Current - Maximum per Contact 0.5A
 Voltage - Maximum 100V

Material Info

Reference - Drawing Numbers

Packaging Specification SPK-52901-001
 Product Specification PS-52760-015, RPS-52760-017, RPS-52760-018, RPS-52760-020, RPS-52760-021, RPS-52760-028, RPS-52760-029, RPS-52901-010
 Sales Drawing SD-52901-008, SD-52901-009, SD-52901-015



EU RoHS

ELV and RoHS Compliant
REACH SVHC
 Not Reviewed
Halogen-Free Status
 Not Reviewed

China RoHS



Need more information on product environmental compliance?

Email productcompliance@molex.com
 For a multiple part number RoHS Certificate of Compliance, [click here](#)

Please visit the [Contact Us](#) section for any non-product compliance questions.

Search Parts in this Series

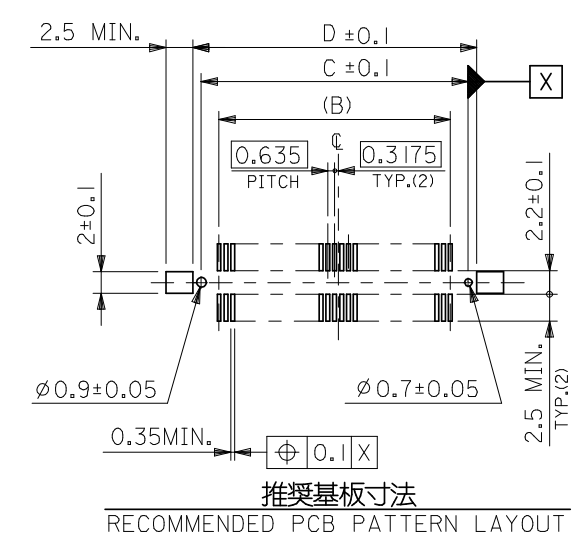
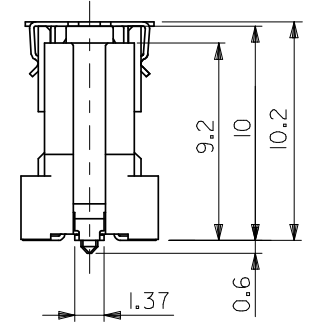
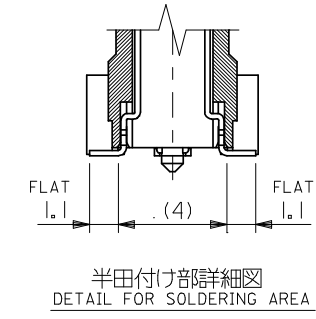
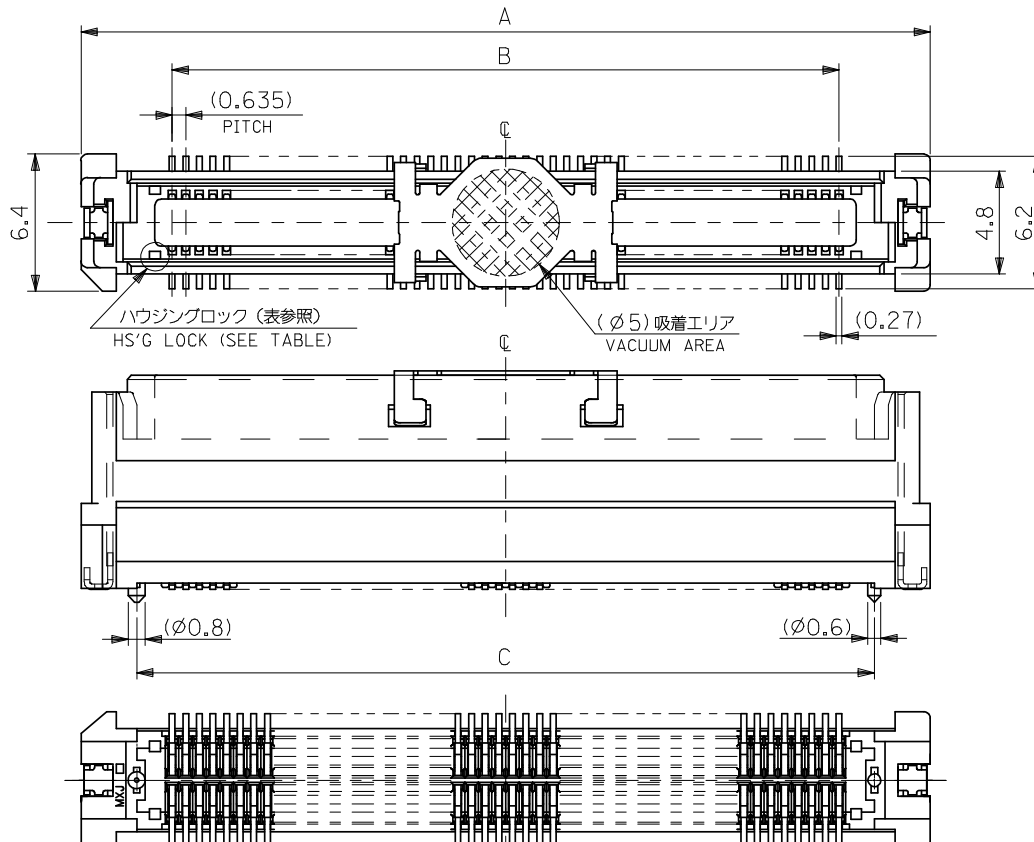
[52901Series](#)

Mates With

[53475](#) , [53643](#) , [55091](#) , [53481](#) , [53625](#) ,, [53551](#) , [53647](#) , [53552](#) , [53649](#) , [53553](#) , [53627](#)

This document was generated on 06/07/2010

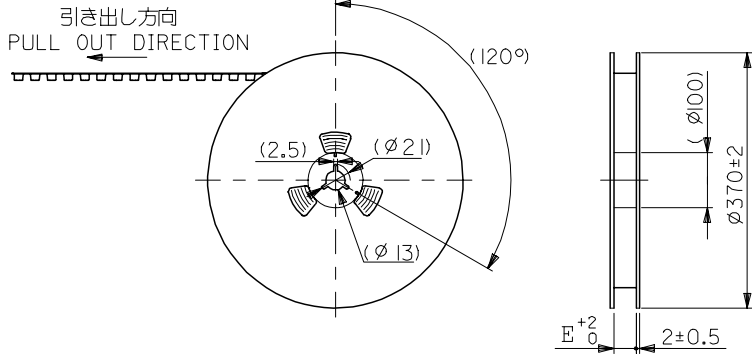
PLEASE CHECK WWW.MOLEX.COM FOR LATEST PART INFORMATION



- 注) NOTES
- 材質 MATERIAL
 ハウジング: ガラス入りLCP、白色、UL94V-0
 HOUSING: G.F.LCP, WHITE, UL94V-0
 ターミナル: 銅合金 (t=0.2)
 TERMINAL: COPPER ALLOY
 吸着カバー: ステンレス (t=0.2)
 VACUUM COVER: STAINLESS STEEL
 補強金具: 銅合金 (t=0.25)
 FITTING NAIL: COPPER ALLOY
 - メッキ仕様 PLATING
 ターミナル: 接点部: 金メッキ 0.25μmMIN.
 CONTACT AREA: GOLD 0.25μmMIN.
 半田付け部: 錫メッキ 1μmMIN.
 SOLDER TAIL AREA: TIN 1μmMIN.
 下地メッキ: ニッケルメッキ 2μmMIN.
 UNDER-PLATING: NICKEL 2μmMIN.
 - テールのバラツキ寸法 TAIL COPLANARITY
 テール平坦度は、0.1 MAX.とする。
 TAILS COPLANARITY TO BE 0.1MAX.
 - エンボス対応済みの種数については、SD-52901-009を参照下さい。
 FOR THE EMBOSSED PACKAGE PRODUCTS, SEE SD-52901-009.
 - 本製品は 52901-***2 の鉛フリー品である。
 THIS PRODUCT IS LEAD FREE OF 52901-***2.

無し NO	48.72	47.12	43.815	52.32	52901-1474	52901-1475	52901-1472	140	○
	42.37	40.77	37.465	45.97	-1274	-1275	-1272	120	○
	36.02	34.42	31.115	39.62	-1074	-1075	-1072	100	○
	32.85	31.25	27.94	36.45	-0974	-0975	-0972	90	○
有り YES	29.67	28.07	24.765	33.27	-0874	-0875	-0872	80	○
	26.5	24.9	21.59	30.1	-0774	-0775	-0772	70	○
	23.32	21.72	18.415	26.92	-0674	-0675	-0672	60	○
	16.97	15.37	12.065	20.57	-0474	-0475	-0472	40	○
ハウジングロック HS'G LOCK	13.8	12.2	8.89	17.4	-0374	-0375	-0372	30	○
	10.62	9.02	5.715	14.22	52901-0274	52901-0275	52901-0272	20	○
	D	C	B	A	エンボス梱包 EMBOSSED PACKAGING	スティック梱包 STICK PACKAGING	製品番号 MATERIAL NO.	種数 CKT. NO.	量対応 AVAILABLE
					ORDER No. オーダー番号				

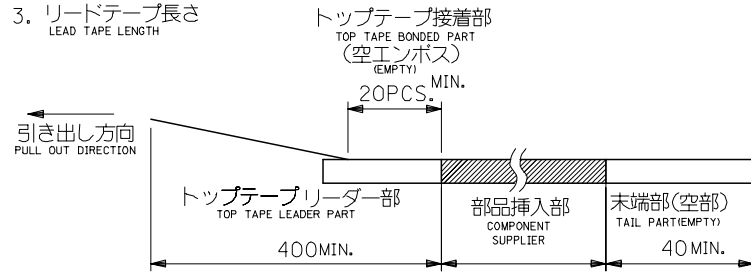
REVISED EC NO: J2008-4316 DRW: NINOMIYAMA CHKD: THARUYAMA APPR: NUKITA	GENERAL TOLERANCES (UNLESS SPECIFIED)		DIMENSION STYLE MM ONLY		SCALE ---	DESIGN UNITS METRIC	THIRD ANGLE PROJECTION	
	10 UNDER	±0.2	DRAWN BY DATE M. NINOMIYA '04/03/04		TITLE 0.635 PITCH B-TO-B CONN. REC. HS'G COVER ASS'Y -LEAD FREE-			
	10 OVER 30 UNDER	±0.25	CHECKED BY DATE K. TOJO '04/03/04		MOLEX INCORPORATED			
	30 OVER	±0.3	APPROVED BY DATE M. SASAO '04/03/04		DOCUMENT NO. SD-52901-008		SHEET NO. 1 OF 1	
	ANGULAR ±3		MATERIAL NO. SEE TABLE		THIS DRAWING CONTAINS INFORMATION THAT IS PROPRIETARY TO MOLEX INCORPORATED AND SHOULD NOT BE USED WITHOUT WRITTEN PERMISSION			
DRAFT WHERE APPLICABLE MUST REMAIN WITHIN DIMENSIONS								



注)
NOTES

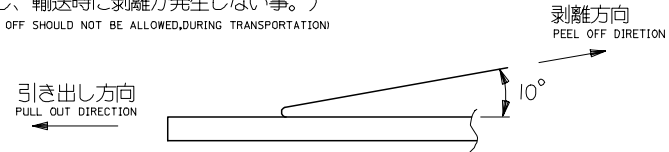
1. 製品番号 52901-***72 の詳細寸法については、SD-52901-008 を参照下さい。
IN THE PACKAGE, PART NO. 52901-***72 DETAILED DIMENSIONS, SEE SD-52901-008

2. 梱包数量 : 440 個/リール
NUMBER OF CONNECTORS : 440 PCS/REEL



4. トップテープの剥離強度 (剥離方向は下図参照)
PEELING OFF FORCE OF TOP TAPE (PEELING DIRECTION AS SHOWN IN FOLLOWING FIG.)
0. 1N~1.3N {10gf~130gf} : キャリアテープ幅24mm~72mm
CARRIER TAPE WIDTH 24mm~72mm

尚、本規格値は、出荷時に適用。
THIS REQUIREMENT SHOULD BE APPLIED AT SHIPMENT
(但し、輸送時に剥離が発生しない事。)
(PEEL OFF SHOULD NOT BE ALLOWED, DURING TRANSPORTATION)



5. 材料
MATERIAL
キャリアテープ : ポリプロピレン (PP)
CARRIER TAPE : POLYPROPYLENE (PP)
トップテープ : PET, PE, PEF
TOP TAPE : PET, PE, PEF
リール : 紙
REEL : CARDBOARD

6. 本製品は 52901-***4 の鉛フリー品である。
THIS PRODUCT IS LEAD FREE OF 52901-***4.

52901-***74
MODEL NO.

REVISED EC NO: J2006-0585 DRW: HVAJIMA 2005/08/25 CHK: DAN, UKITA 2005/08/25 APP: NUKITA 2005/08/31	DESCRIPTION REV	GENERAL TOLERANCES (UNLESS SPECIFIED)		DIMENSION STYLE MM ONLY		SCALE ---	DESIGN UNITS METRIC	THIRD ANGLE PROJECTION	
		10 UNDER	±---	DRAWN BY M. NINOMIYA	DATE '04/03/04	TITLE EMBOSSD TAPE PACKAGE FOR 52901-***72 -LEAD FREE-			
		10 OVER 30 UNDER	±---	CHECKED BY K. TOJO	DATE '04/03/04	MOLEX INCORPORATED			
		30 OVER	±---	APPROVED BY M. SASAO	DATE '04/03/04				
		ANGULAR	±--- °	MATERIAL NO. SEE CHART		DOCUMENT NO. SD-52901-009		SHEET NO. 1 OF 3	
DRAFT WHERE APPLICABLE MUST REMAIN WITHIN DIMENSIONS		SIZE A3		THIS DRAWING CONTAINS INFORMATION THAT IS PROPRIETARY TO MOLEX INCORPORATED AND SHOULD NOT BE USED WITHOUT WRITTEN PERMISSION					

10 9 8 7 6 5 4 3 2 1

F

E

D

C

B

A

F

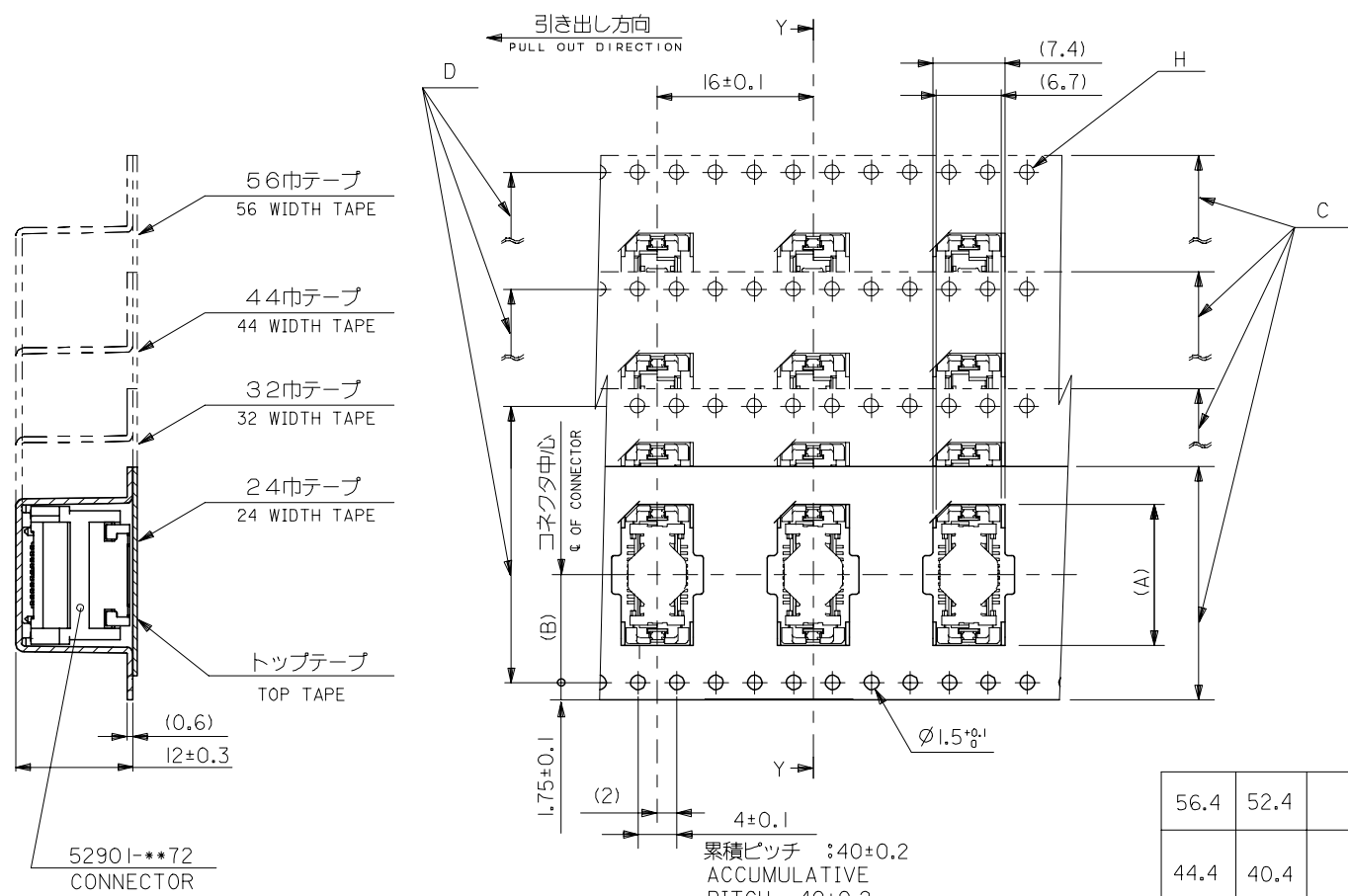
E

D

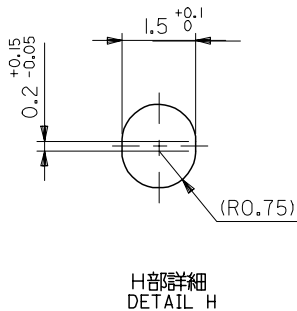
C

B

A



断面 Y-Y
SECTION Y-Y



H部詳細
DETAIL H

56.4	52.4	56 ^{+0.3}	26.2	39.9	52901-1074	100
				36.8	-0974	90
44.4	40.4	44 ^{+0.3}	20.2	33.6	-0874	80
				30.4	-0774	70
32.4	28.4	32 ^{+0.3}	14.2	27.2	-0674	60
				20.9	-0474	40
24.4	—	24 ^{+0.3}	11.5	17.7	-0374	30
				14.5	-0274	20
E	D	C	B	A	MATERIAL NO.	極数 CKT.NO.

REVISED EC NO: J2006-0585 DRW: HVAJIMA 2005/08/25 CHK: DN, UKITA 2005/08/25 APP: R, NUKITA 2005/08/31	GENERAL TOLERANCES (UNLESS SPECIFIED)		DIMENSION STYLE MM ONLY		SCALE ---	DESIGN UNITS METRIC	THIRD ANGLE PROJECTION
	10 UNDER	± ---	DRAWN BY M. NINOMIYA	DATE '04/03/04	TITLE EMBOSSD TAPE PACKAGE FOR 52901-**-72 -LEAD FREE-		
	10 OVER 30 UNDER	± ---	CHECKED BY K. TOJO	DATE '04/03/04	MOLEX INCORPORATED		
	30 OVER	± ---	APPROVED BY M. SASAO	DATE '04/03/04	DOCUMENT NO. SD-52901-009		
	ANGULAR	± --- °	MATERIAL NO. SEE CHART		SHEET NO. 2 OF 3		
DRAFT WHERE APPLICABLE MUST REMAIN WITHIN DIMENSIONS		SIZE A3		THIS DRAWING CONTAINS INFORMATION THAT IS PROPRIETARY TO MOLEX INCORPORATED AND SHOULD NOT BE USED WITHOUT WRITTEN PERMISSION			

9

8

7

6

5

4

3

2

10 9 8 7 6 5 4 3 2 1

F
E
D
C
B
A

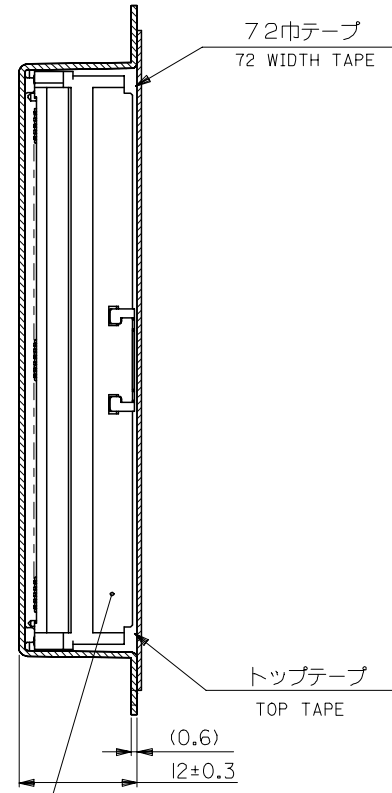
A

ib_frame_A3_J_ME_S
Rev. D 2004/04/02

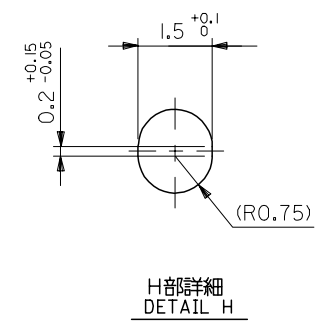
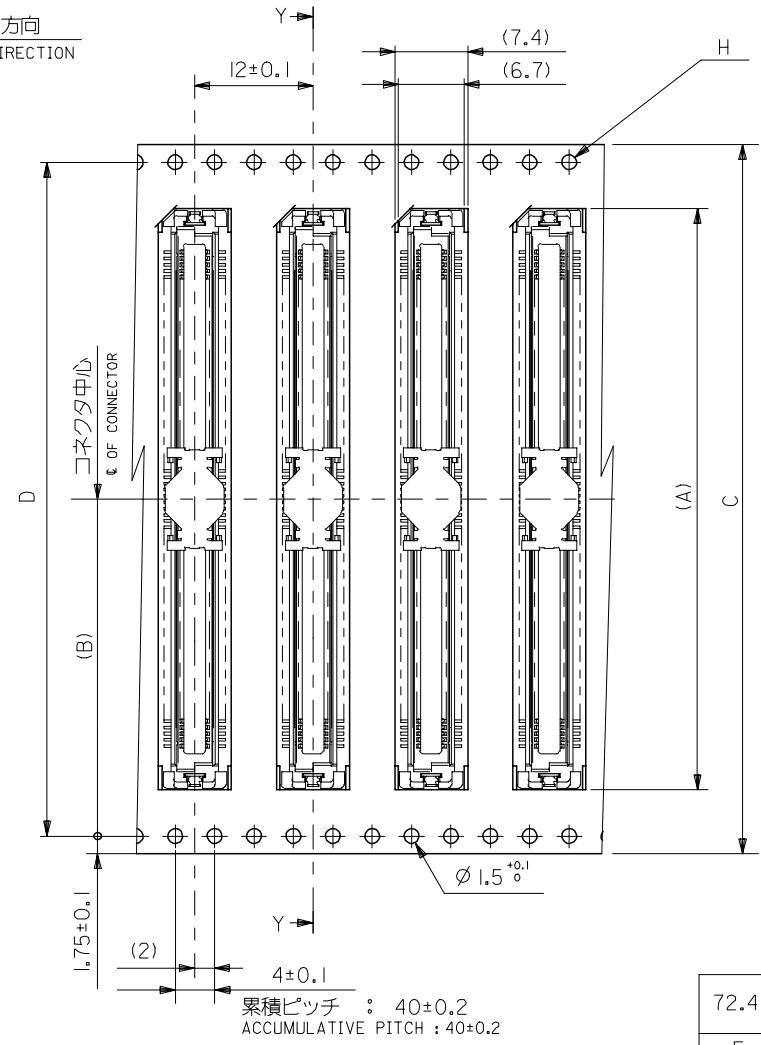
9 8 7 6 5 4 3 2

EN-02JA(021)

引き出し方向
PULL OUT DIRECTION



断面 Y-Y
SECTION Y-Y



H部詳細
DETAIL H

累積ピッチ : 40±0.2
ACCUMULATIVE PITCH : 40±0.2

72.4	68.4	72±0.3	34.2	52.6	52901-1474	140
E	D	C	B	A	52901-1274	120
E D		C		B A		極数
CARRIER TAPE WIDTH		MATERIAL NO.				極数

REVISED EC NO: J2006-0585 DRW: HVAJIMA 2005/08/25 CHK: DN, UKITA 2005/08/25 APPR: NUKITA 2005/08/31	GENERAL TOLERANCES (UNLESS SPECIFIED)		DIMENSION STYLE MM ONLY		SCALE ---	DESIGN UNITS METRIC	THIRD ANGLE PROJECTION
	10 UNDER	± ---	DRAWN BY M. NINOMIYA	DATE '04/03/04	TITLE EMBOSSD TAPE PACKAGE FOR 52901-**72 -LEAD FREE-		
	10 OVER 30 UNDER	± ---	CHECKED BY K. TOJO	DATE '04/03/04	MOLEX INCORPORATED		
	30 OVER	± ---	APPROVED BY M. SASAO	DATE '04/03/04	MATERIAL NO. SEE CHART		
ANGULAR ± --- °		DRAFT WHERE APPLICABLE MUST REMAIN WITHIN DIMENSIONS		DOCUMENT NO. SD-52901-009		SHEET NO. 3 OF 3	
SIZE A3				THIS DRAWING CONTAINS INFORMATION THAT IS PROPRIETARY TO MOLEX INCORPORATED AND SHOULD NOT BE USED WITHOUT WRITTEN PERMISSION			

F
E
D
C
B
A

A

10 9 8 7 6 5 4 3 2 1

F

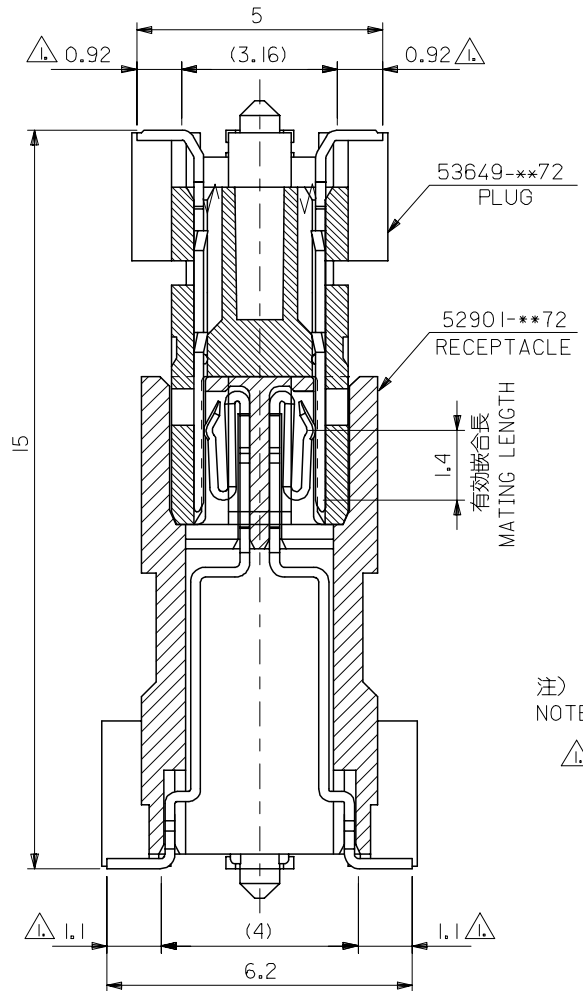
E

D

C

B

A



注)
NOTE)
△ 基板接地長さ
FLAT AREA

RELEASED EC NO: J2005-3798 DRW: KENSUZUKI 2005/06/20 CHK: D: NUKITA 2005/06/20 APPR: NUKITA 2005/06/23	GENERAL TOLERANCES (UNLESS SPECIFIED)		DIMENSION STYLE MM ONLY		SCALE 10:1	DESIGN UNITS METRIC	THIRD ANGLE PROJECTION	
	10 UNDER	±0.2	DRAWN BY KENSUZUKI	DATE 2005/06/20	TITLE 0.635 PITCH B TO B CONN. 52901/53649 SERIES MATING CROSS SECTION			
	10 OVER 30 UNDER	±0.25	CHECKED BY NUKITA	DATE 2005/06/20				
	30 OVER	±0.3	APPROVED BY NUKITA	DATE 2005/06/20	MOLEX INCORPORATED DOCUMENT NO. SD-52901-015 SHEET NO. 1 OF 1			
	ANGULAR	±3 °	MATERIAL NO. SEE DRAWING					
DRAFT WHERE APPLICABLE MUST REMAIN WITHIN DIMENSIONS		SIZE A3 THIS DRAWING CONTAINS INFORMATION THAT IS PROPRIETARY TO MOLEX INCORPORATED AND SHOULD NOT BE USED WITHOUT WRITTEN PERMISSION						



Компания «ЭлектроПласт» предлагает заключение долгосрочных отношений при поставках импортных электронных компонентов на взаимовыгодных условиях!

Наши преимущества:

- Оперативные поставки широкого спектра электронных компонентов отечественного и импортного производства напрямую от производителей и с крупнейших мировых складов;
- Поставка более 17-ти миллионов наименований электронных компонентов;
- Поставка сложных, дефицитных, либо снятых с производства позиций;
- Оперативные сроки поставки под заказ (от 5 рабочих дней);
- Экспресс доставка в любую точку России;
- Техническая поддержка проекта, помощь в подборе аналогов, поставка прототипов;
- Система менеджмента качества сертифицирована по Международному стандарту ISO 9001;
- Лицензия ФСБ на осуществление работ с использованием сведений, составляющих государственную тайну;
- Поставка специализированных компонентов (Xilinx, Altera, Analog Devices, Intersil, Interpoint, Microsemi, Aeroflex, Peregrine, Syfer, Eurofarad, Texas Instrument, Miteq, Cobham, E2V, MA-COM, Hittite, Mini-Circuits, General Dynamics и др.);

Помимо этого, одним из направлений компании «ЭлектроПласт» является направление «Источники питания». Мы предлагаем Вам помощь Конструкторского отдела:

- Подбор оптимального решения, техническое обоснование при выборе компонента;
- Подбор аналогов;
- Консультации по применению компонента;
- Поставка образцов и прототипов;
- Техническая поддержка проекта;
- Защита от снятия компонента с производства.



Как с нами связаться

Телефон: 8 (812) 309 58 32 (многоканальный)

Факс: 8 (812) 320-02-42

Электронная почта: org@eplast1.ru

Адрес: 198099, г. Санкт-Петербург, ул. Калинина, дом 2, корпус 4, литера А.