

# Precision, Micropower, Single Supply Instrumentation Amplifier (Fixed Gain = 10 or 100)

## FEATURES

- Gain Error: 0.04% Max
- Gain Nonlinearity: 0.0008% (8ppm) Max
- Gain Drift: 4ppm/°C Max
- Supply Current: 105µA Max
- Offset Voltage: 160µV Max
- Offset Voltage Drift: 0.4µV/°C Typ
- Offset Current: 600pA Max
- CMRR, G = 100: 100dB Min
- 0.1Hz to 10Hz Noise: 0.9µVp-p Typ  
2.3pAp-p Typ
- Gain Bandwidth Product: 250kHz Min
- Single or Dual Supply Operation
- Surface Mount Package Available

## APPLICATIONS

- Differential Signal Amplification in Presence of Common Mode Voltage
- Micropower Bridge Transducer Amplifier
  - Thermocouples
  - Strain Gauges
  - Thermistors
- Differential Voltage-to-Current Converter
- Transformer Coupled Amplifier
- 4mA to 20mA Bridge Transmitter

LT, LTC and LT are registered trademarks of Linear Technology Corporation.

## DESCRIPTION

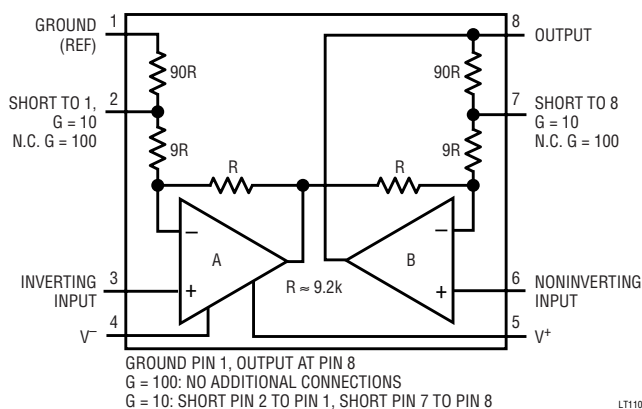
The LT<sup>®</sup>1101 establishes the following milestones: (1) It is the first micropower instrumentation amplifier, (2) It is the first single supply instrumentation amplifier, (3) It is the first instrumentation amplifier to feature fixed gains of 10 and/or 100 in low cost, space-saving 8-lead packages.

The LT1101 is completely self-contained: no external gain setting resistor is required. The LT1101 combines its micropower operation (75µA supply current) with a gain error of 0.008%, gain linearity of 3ppm, gain drift of 1ppm/°C. The output is guaranteed to drive a 2k load to ±10V with excellent gain accuracy.

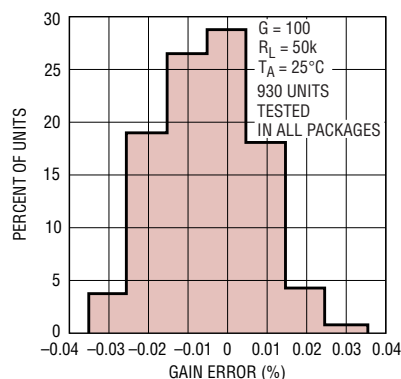
Other precision specifications are also outstanding: 50µV input offset voltage, 130pA input offset current, and low drift (0.4µV/°C and 0.7pA/°C). In addition, unlike other instrumentation amplifiers, there is no output offset voltage contribution to total error.

A full set of specifications are provided with ±15V dual supplies and for single 5V supply operation. The LT1101 can be operated from a single lithium cell or two Ni-Cad batteries. Battery voltage can drop as low as 1.8V, yet the LT1101 still maintains its gain accuracy. In single supply applications, both input and output voltages swing to within a few millivolts of ground. The output sinks current while swinging to ground—no external, power consuming pull down resistors are needed.

## TYPICAL APPLICATION



Gain Error Distribution



# LT1101

## ABSOLUTE MAXIMUM RATINGS (Note 1)

Supply Voltage .....  $\pm 22\text{V}$   
 Differential Input Voltage .....  $\pm 36\text{V}$   
 Input Voltage ..... Equal to Positive Supply Voltage  
 ..... 10V Below Negative Supply Voltage  
 Output Short Circuit Duration ..... Indefinite

Operating Temperature Range

LT1101AM/LT1101M (**OBSOLETE**) ...  $-55^{\circ}\text{C}$  to  $125^{\circ}\text{C}$

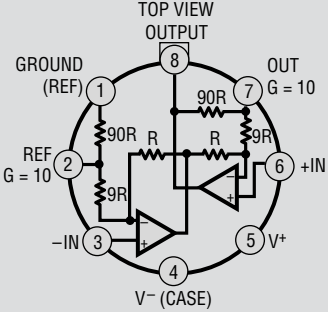
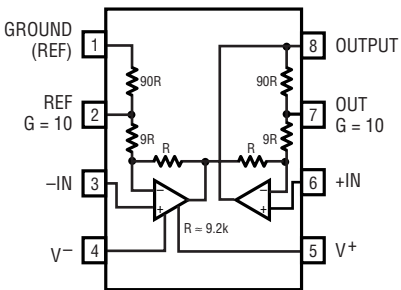
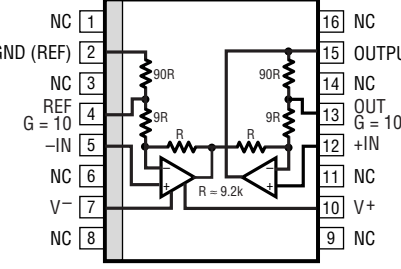
LT1101AI/LT1101I .....  $-40^{\circ}\text{C}$  to  $85^{\circ}\text{C}$

LT1101AC/LT1101C .....  $0^{\circ}\text{C}$  to  $70^{\circ}\text{C}$

Storage Temperature Range .....  $-65^{\circ}\text{C}$  to  $150^{\circ}\text{C}$

Lead Temperature (Soldering, 10 sec) .....  $300^{\circ}\text{C}$

## PACKAGE/ORDER INFORMATION

|  <p>H PACKAGE<br/>8-LEAD TO-5 METAL CAN<br/><math>T_{JMAX} = 150^{\circ}\text{C}</math>, <math>\theta_{JA} = 150^{\circ}\text{C/W}</math>, <math>\theta_{JC} = 45^{\circ}\text{C/W}</math></p> |  <p>N PACKAGE 8-LEAD PDIP<br/><math>T_{JMAX} = 150^{\circ}\text{C}</math>, <math>\theta_{JA} = 130^{\circ}\text{C/W}</math><br/>J PACKAGE 8-LEAD CERDIP<br/><math>T_{JMAX} = 150^{\circ}\text{C}</math>, <math>\theta_{JA} = 100^{\circ}\text{C/W}</math></p> |  <p>SW PACKAGE<br/>16-LEAD PLASTIC SO<br/><math>T_{JMAX} = 150^{\circ}\text{C}</math>, <math>\theta_{JA} = 100^{\circ}\text{C/W}</math></p> |                       |
|---|---|--|-----------------------|
| ORDER PART NUMBER   | ORDER PART NUMBER   |  | ORDER PART NUMBER     |
| LT1101AMH<br>LT1101MH<br>LT1101ACH<br>LT1101CH  | LT1101AMJ8<br>LT1101MJ8<br>LT1101ACJ8<br>LT1101CJ8  | LT1101AIN8<br>LT1101IN8<br>LT1101ACN8<br>LT1101CN8   | LT1101SW<br>LT1101ISW |
| <p align="center"><b>OBSOLETE PACKAGES</b><br/>Consider the N8 as an Alternate Source</p>   |   |  |                       |

Consult LTC Marketing for parts specified with wider operating temperature ranges.

## ELECTRICAL CHARACTERISTICS

$V_S = 5\text{V}$ ,  $0\text{V}$ ,  $V_{CM} = 0.1\text{V}$ ,  $V_{REF(PIN 1)} = 0.1\text{V}$ ,  $G = 10$  or  $100$ ,  $T_A = 25^{\circ}\text{C}$ , unless otherwise noted. (Note 4)

| SYMBOL   | PARAMETER            | CONDITIONS  | LT1101AM/AI/AC |       |       | LT1101M/I/C |       |       | UNITS         |
|----------|----------------------|---|----------------|-------|-------|-------------|-------|-------|---------------|
|          |                      |   | MIN            | TYP   | MAX   | MIN         | TYP   | MAX   |               |
| $G_E$    | Gain Error           | $G = 100$ , $V_0 = 0.1\text{V}$ to $3.5\text{V}$ , $R_L = 50\text{k}$ |                | 0.010 | 0.050 |             | 0.011 | 0.075 | %             |
|          |                      | $G = 10$ , $V_0 = 0.1\text{V}$ to $3.5\text{V}$ , $R_L = 50\text{k}$  |                | 0009  | 0.040 |             | 0.010 | 0.060 | %             |
| $G_{NL}$ | Gain Nonlinearity    | $G = 100$ , $R_L = 50\text{k}$  |                | 20    | 60    |             | 20    | 75    | ppm           |
|          |                      | $G = 10$ , $R_L = 50\text{k}$ (Note 2)                                |                | 3     | 7     |             | 3     | 8     | ppm           |
| $V_{OS}$ | Input Offset Voltage |   |                | 50    | 160   |             | 60    | 220   | $\mu\text{V}$ |
|          |                      | LT1101SW  |                |       |       |             | 250   | 600   | $\mu\text{V}$ |
| $I_{OS}$ | Input Offset Current |   |                | 0.13  | 0.60  |             | 0.15  | 0.90  | nA            |
| $I_B$    | Input Bias Current   |   |                | 6     | 8     |             | 6     | 10    | nA            |
| $I_S$    | Supply Current       |   |                | 75    | 105   |             | 78    | 120   | $\mu\text{A}$ |

1101fa

**ELECTRICAL CHARACTERISTICS**  $V_S = 5V, 0V, V_{CM} = 0.1V, V_{REF(PIN 1)} = 0.1V, G = 10 \text{ or } 100, T_A = 25^\circ C$ , unless otherwise noted. (Note 4)

| SYMBOL | PARAMETER                    | CONDITIONS  | LT1101AM/AI/AC |      |     | LT1101M/I/C |      |     | UNITS      |
|--------|------------------------------|---|----------------|------|-----|-------------|------|-----|------------|
|        |                              |   | MIN            | TYP  | MAX | MIN         | TYP  | MAX |            |
| CMRR   | Common Mode Rejection Ratio  | 1k Source Imbalance   | 95             | 106  |     | 92          | 105  |     | dB         |
|        |                              | $G = 100, V_{CM} = 0.07V \text{ to } 3.4V$<br>$G = 10, V_{CM} = 0.07V \text{ to } 3.1V$ | 84             | 100  |     | 82          | 99   |     | dB         |
|        | Minimum Supply Voltage       | (Note 5)  |                | 1.8  | 2.3 |             | 1.8  | 2.3 | V          |
| $V_O$  | Maximum Output Voltage Swing | Output High, 50k to GND   | 4.1            | 4.3  |     | 4.1         | 4.3  |     | V          |
|        |                              | Output High, 2k to GND  | 3.5            | 3.9  |     | 3.5         | 3.9  |     | V          |
|        |                              | Output Low, $V_{REF} = 0$ , No Load   |                | 3.3  | 6   |             | 3.3  | 6   | mV         |
|        |                              | Output Low, $V_{REF} = 0$ , 2k to GND   |                | 0.5  | 1   |             | 0.5  | 1   | mV         |
|        |                              | Output Low, $V_{REF} = 0, I_{SINK} = 100\mu A$  |                | 90   | 130 |             | 90   | 130 | mV         |
| BW     | Bandwidth                    | $G = 100$ (Note 2)  | 2.0            | 3.0  |     | 2.0         | 3.0  |     | kHz        |
|        |                              | $G = 10$ (Note 2)   | 22             | 33   |     | 22          | 33   |     | kHz        |
| SR     | Slew Rate                    | (Note 2)  | 0.04           | 0.07 |     | 0.04        | 0.07 |     | V/ $\mu s$ |

$V_S = \pm 15V, V_{CM} = 0V, T_A = 25^\circ C$ , Gain = 10 or 100, unless otherwise noted.

| SYMBOL   | PARAMETER                    | CONDITIONS  | LT1101AM/AI/AC                                   |        |              | LT1101M/I/C |        |              | UNITS                  |
|----------|------------------------------|---|--|--------|--------------|-------------|--------|--------------|------------------------|
|          |                              |   | MIN  | TYP    | MAX          | MIN         | TYP    | MAX          |                        |
| $G_E$    | Gain Error                   | $G = 100, V_O = \pm 10V, R_L = 50k$                   |  | 0.008  | 0.040        |             | 0.009  | 0.060        | %                      |
|          |                              | $G = 100, V_O = \pm 10V, R_L = 2k$                    |  | 0.011  | 0.055        |             | 0.012  | 0.070        | %                      |
|          |                              | $G = 100, V_O = \pm 10V, R_L = 50k \text{ or } 2k$    |  | 0.008  | 0.040        |             | 0.009  | 0.060        | %                      |
| $G_{NL}$ | Gain Nonlinearity            | $G = 100, R_L = 50k$                                  |  | 7      | 16           |             | 8      | 20           | ppm                    |
|          |                              | $G = 100, R_L = 2k$                                   |  | 24     | 45           |             | 25     | 60           | ppm                    |
|          |                              | $G = 10, R_L = 50k \text{ or } 2k$                    |  | 3      | 8            |             | 3      | 9            | ppm                    |
| $V_{OS}$ | Input Offset Voltage         | LT1101SW  |  | 50     | 160          |             | 60     | 220          | $\mu V$                |
|          |                              |   |  |        |              |             | 250    | 600          | $\mu V$                |
| $I_{OS}$ | Input Offset Current         |   |  | 0.13   | 0.60         |             | 0.15   | 0.90         | nA                     |
| $I_B$    | Input Bias Current           |   |  | 6      | 8            |             | 6      | 10           | nA                     |
|          |                              | Input Resistance<br>Common Mode<br>Differential Mode  | (Note 2)<br>(Note 2)                             | 4<br>7 | 7<br>12      |             | 3<br>5 | 7<br>12      | $G\Omega$<br>$G\Omega$ |
| $e_n$    | Input Noise Voltage          | 0.1Hz to 10Hz (Note 3)                                |  | 0.9    | 1.8          |             | 0.9    |              | $\mu V_{p-p}$          |
|          |                              | Input Noise Voltage Density                           | $f_0 = 10Hz$ (Note 3)<br>$f_0 = 1000Hz$ (Note 3) |        | 45<br>43     | 64<br>54    |        | 45<br>43     |                        |
| $i_n$    | Input Noise Current          | 0.1Hz to 10Hz (Note 3)                                |  | 2.3    | 4.0          |             | 2.3    |              | $pA_{p-p}$             |
|          |                              | Input Noise Current Density                           | $f_0 = 10Hz$ (Note 3)<br>$f_0 = 1000Hz$          |        | 0.06<br>0.02 | 0.10        |        | 0.06<br>0.02 |                        |
|          | Input Voltage Range          | $G = 100$<br><br>$G = 10$                             | 13.0   | 13.8   |              | 13.0        | 13.8   |              | V                      |
|          |                              |   | -14.4  | -14.7  |              | -14.4       | -14.7  |              | V                      |
|          |                              |   | 11.5   | 12.5   |              | 11.5        | 12.5   |              | V                      |
|          |                              |   | -13.0  | -13.3  |              | -13.0       | -13.3  |              | V                      |
| CMRR     | Common Mode Rejection Ratio  | 1k Source Imbalance                                   | 100  | 112    |              | 98          | 112    |              | dB                     |
|          |                              | $G = 100$ , Over CM Range<br>$G = 10$ , Over CM Range | 84   | 100    |              | 82          | 99     |              | dB                     |
| PSRR     | Power Supply Rejection Ratio | $V_S = +2.2V, -0.1V \text{ to } \pm 18V$              | 102  | 114    |              | 100         | 114    |              | dB                     |
| $I_S$    | Supply Current               |   |  | 92     | 130          |             | 94     | 150          | $\mu A$                |

1101fa

## ELECTRICAL CHARACTERISTICS $V_S = \pm 15V$ , $V_{CM} = 0V$ , $T_A = 25^\circ C$ , Gain = 10 or 100, unless otherwise noted.

| SYMBOL | PARAMETER                    | CONDITIONS                          | LT1101AM/AI  |              |     | LT1101M/I    |              |     | UNITS      |
|--------|------------------------------|-------------------------------------|--------------|--------------|-----|--------------|--------------|-----|------------|
|        |                              |                                     | MIN          | TYP          | MAX | MIN          | TYP          | MAX |            |
| $V_O$  | Maximum Output Voltage Swing | $R_L = 50k$<br>$R_L = 2k$           | 13.0<br>11.0 | 14.2<br>13.2 |     | 13.0<br>11.0 | 14.2<br>13.2 |     | V<br>V     |
| BW     | Bandwidth                    | G = 100 (Note 2)<br>G = 10 (Note 2) | 2.3<br>25    | 3.5<br>37    |     | 2.3<br>25    | 3.5<br>37    |     | kHz<br>kHz |
| SR     | Slew Rate                    |                                     | 0.06         | 0.10         |     | 0.06         | 0.10         |     | V/ $\mu s$ |

## ELECTRICAL CHARACTERISTICS $V_S = \pm 15V$ , $V_{CM} = 0V$ , Gain = 10 or 100, $-55^\circ C \leq T_A \leq 125^\circ C$ for AM/M grades, $-40^\circ C \leq T_A \leq 85^\circ C$ for AI/I grades, unless otherwise noted.

| SYMBOL                   | PARAMETER                    | CONDITIONS   | LT1101AM/AI  |                         |                         | LT1101M/I    |                         |                         | UNITS   |
|--------------------------|------------------------------|--|--------------|-------------------------|-------------------------|--------------|-------------------------|-------------------------|---|
|                          |                              |  | MIN          | TYP                     | MAX                     | MIN          | TYP                     | MAX                     |   |
| $G_E$                    | Gain Error                   | G = 100, $V_O = \pm 10V$ , $R_L = 50k$<br>G = 100, $V_O = \pm 10V$ , $R_L = 5k$<br>G = 10, $V_O = \pm 10V$ , $R_L = 50k$ or $5k$ |              | 0.024<br>0.030<br>0.015 | 0.070<br>0.100<br>0.070 |              | 0.026<br>0.035<br>0.018 | 0.100<br>0.130<br>0.100 | %<br>%<br>%   |
| $TCG_E$                  | Gain Error Drift (Note 2)    | G = 100, $R_L = 50k$<br>G = 100, $R_L = 5k$<br>G = 10, $R_L = 50k$ or $5k$   |              | 2<br>2<br>1             | 4<br>7<br>4             |              | 2<br>2<br>1             | 5<br>8<br>5             | ppm/ $^\circ C$<br>ppm/ $^\circ C$<br>ppm/ $^\circ C$ |
| $G_{NL}$                 | Gain Nonlinearity            | G = 100, $R_L = 50k$<br>G = 100, $R_L = 5k$<br>G = 10, $R_L = 50k$<br>G = 10, $R_L = 5k$   |              | 24<br>70<br>4<br>10     | 70<br>300<br>13<br>40   |              | 26<br>75<br>5<br>12     | 90<br>500<br>15<br>60   | ppm<br>ppm<br>ppm<br>ppm                              |
| $V_{OS}$                 | Input Offset Voltage         | LT1101ISW  |              | 90                      | 350                     |              | 110<br>110              | 500<br>950              | $\mu V$<br>$\mu V$                                    |
| $\Delta V_{OS}/\Delta T$ | Input Offset Voltage Drift   | (Note 2)<br>LT1101ISW  |              | 0.4                     | 2.0                     |              | 0.5<br>0.5              | 2.8<br>4.8              | $\mu V/^\circ C$<br>mV/ $^\circ C$                    |
| $I_{OS}$                 | Input Offset Current         |  |              | 0.16                    | 0.80                    |              | 0.19                    | 1.30                    | nA  |
| $\Delta I_{OS}/\Delta T$ | Input Offset Current Drift   | (Note 2)   |              | 0.5                     | 4.0                     |              | 0.8                     | 7.0                     | pA/ $^\circ C$  |
| $I_B$                    | Input Bias Current           |  |              | 7                       | 10                      |              | 7                       | 12                      | nA  |
| $\Delta I_B/\Delta T$    | Input Bias Current Drift     | (Note 2)   |              | 10                      | 25                      |              | 10                      | 30                      | pA/ $^\circ C$  |
| CMRR                     | Common Mode Rejection Ratio  | G = 100, $V_{CM} = -14.4V$ to $13V$<br>G = 100, $V_{CM} = -13V$ to $11.5V$   | 96<br>80     | 111<br>99               |                         | 94<br>78     | 111<br>98               |                         | dB<br>dB  |
| PSRR                     | Power Supply Rejection Ratio | $V_S = 3.0$ , $-0.1V$ to $\pm 18V$   | 98           | 110                     |                         | 94           | 110                     |                         | dB  |
| $I_S$                    | Supply Current               |  |              | 105                     | 165                     |              | 108                     | 190                     | $\mu A$   |
| $V_O$                    | Maximum Output Voltage Swing | $R_L = 50k$<br>$R_L = 5k$  | 12.5<br>11.0 | 14.0<br>13.5            |                         | 12.5<br>11.0 | 14.0<br>13.5            |                         | V<br>V  |

**ELECTRICAL CHARACTERISTICS**  $V_S = \pm 15V$ ,  $V_{CM} = 0V$ , Gain = 10 or 100,  $0^\circ C \leq T_A \leq 70^\circ C$ , unless otherwise noted.

| SYMBOL               | PARAMETER                    | CONDITIONS  | LT1101AC |       |       | LT1101C/S |       |       | UNITS  |
|----------------------|------------------------------|---|----------|-------|-------|-----------|-------|-------|--------|
|                      |                              |   | MIN      | TYP   | MAX   | MIN       | TYP   | MAX   |        |
| G <sub>E</sub>       | Gain Error                   | G = 100, V <sub>O</sub> = ±10V, R <sub>L</sub> = 50k      |          | 0.012 | 0.055 |           | 0.014 | 0.080 | %      |
|                      |                              | G = 100, V <sub>O</sub> = ±10V, R <sub>L</sub> = 2k       |          | 0.018 | 0.085 |           | 0.020 | 0.100 | %      |
|                      |                              | G = 10, V <sub>O</sub> = ±10V, R <sub>L</sub> = 50k or 2k |          | 0.009 | 0.055 |           | 0.010 | 0.080 | %      |
| TCG <sub>E</sub>     | Gain Error Drift<br>(Note 2) | G = 100, R <sub>L</sub> = 50k                             |          | 1     | 4     |           | 1     | 5     | ppm/°C |
|                      |                              | G = 100, R <sub>L</sub> = 2k                              |          | 2     | 7     |           | 2     | 9     | ppm/°C |
|                      |                              | G = 10, R <sub>L</sub> = 50k or 5k                        |          | 1     | 4     |           | 1     | 5     | ppm/°C |
| G <sub>NL</sub>      | Gain Nonlinearity            | G = 100, R <sub>L</sub> = 50k                             |          | 9     | 25    |           | 10    | 35    | ppm    |
|                      |                              | G = 100, R <sub>L</sub> = 2k                              |          | 33    | 75    |           | 36    | 100   | ppm    |
|                      |                              | G = 10, R <sub>L</sub> = 50k or 2k                        |          | 4     | 10    |           | 4     | 11    | ppm    |
| V <sub>OS</sub>      | Input Offset Voltage         |   |          | 70    | 250   |           | 85    | 350   | μV     |
|                      |                              | LT1101SW  |          |       |       |           | 300   | 800   | μV     |
| ΔV <sub>OS</sub> /ΔT | Input Offset Voltage Drift   | (Note 2)  |          | 0.4   | 2.0   |           | 0.5   | 2.8   | μV/°C  |
|                      |                              | LT1101SW  |          |       |       |           | 1.2   | 4.5   | μV/°C  |
| I <sub>OS</sub>      | Input Offset Current         |   |          | 0.14  | 0.70  |           | 0.17  | 1.10  | nA     |
| ΔI <sub>OS</sub> /ΔT | Input Offset Current Drift   | (Note 2)  |          | 0.5   | 4.0   |           | 0.8   | 7.0   | pA/°C  |
| I <sub>B</sub>       | Input Bias Current           |   |          | 6     | 9     |           | 6     | 11    | nA     |
| ΔI <sub>B</sub> /ΔT  | Input Bias Current Drift     | (Note 2)  |          | 10    | 25    |           | 10    | 30    | pA/°C  |
| CMRR                 | Common Mode Rejection Ratio  | G = 100, V <sub>CM</sub> = -14.4V to 13V                  | 98       | 112   |       | 96        | 112   |       | dB     |
|                      |                              | G = 100, V <sub>CM</sub> = -13V to 11.5V                  | 82       | 100   |       | 80        | 99    |       | dB     |
| PSRR                 | Power Supply Rejection Ratio | V <sub>S</sub> = 2.5, -0.1V to ±18V                       | 100      | 112   |       | 97        | 112   |       | dB     |
| I <sub>S</sub>       | Supply Current               |   |          | 98    | 148   |           | 100   | 170   | μA     |
| V <sub>O</sub>       | Maximum Output Voltage Swing | R <sub>L</sub> = 50k                                      | ±12.5    | ±14.1 |       | ±12.5     | ±14.1 |       | V      |
|                      |                              | R <sub>L</sub> = 2k                                       | ±10.5    | ±13.0 |       | ±10.5     | ±13.0 |       | V      |

## ELECTRICAL CHARACTERISTICS

$V_S = 5V, 0V, V_{CM} = 0.1V, V_{REF(PIN\ 1)} = 0.1V, \text{Gain} = 10 \text{ or } 100,$   
 $-40^\circ\text{C} \leq T_A \leq 85^\circ\text{C}$  for Al/I grades, unless otherwise noted (Note 4).

| SYMBOL               | PARAMETER                    | CONDITIONS   | LT1101AM/AI |       |       | LT1101M/I |       |       | UNITS  |    |
|----------------------|------------------------------|--|-------------|-------|-------|-----------|-------|-------|--------|----|
|                      |                              |  | MIN         | TYP   | MAX   | MIN       | TYP   | MAX   |        |    |
| G <sub>E</sub>       | Gain Error                   | G = 100, V <sub>0</sub> = 0.1V to 3.5V, R <sub>L</sub> = 50k     |             | 0.026 | 0.080 |           | 0.028 | 0.120 | %      |    |
|                      |                              | G = 10, V <sub>CM</sub> = 0.15, R <sub>L</sub> = 50k             |             | 0.011 | 0.070 |           | 0.014 | 0.100 | %      |    |
| TCG <sub>E</sub>     | Gain Error Drift             | R <sub>L</sub> = 50k (Note 2)                                    |             | 1     | 4     |           | 1     | 5     | ppm/°C |    |
| G <sub>NL</sub>      | Gain Nonlinearity            | G = 100, R <sub>L</sub> = 50k                                    |             | 45    | 110   |           | 48    | 140   | ppm    |    |
|                      |                              | G = 10, R <sub>L</sub> = 50k (Note 2)                            |             | 4     | 13    |           | 5     | 15    | ppm    |    |
| V <sub>OS</sub>      | Input Offset Voltage         | LT1101ISW  |             | 90    | 350   |           | 110   | 500   | μV     |    |
|                      |                              |  |             |       |       |           | 110   | 950   | μV     |    |
| ΔV <sub>OS</sub> /ΔT | Input Offset Voltage Drift   | (Note 2)<br>LT1101ISW  |             | 0.4   | 2.0   |           | 0.5   | 2.8   | μV/°C  |    |
|                      |                              |  |             |       |       |           | 0.5   | 4.8   | μV/°C  |    |
| I <sub>OS</sub>      | Input Offset Current         |  |             | 0.16  | 0.80  |           | 0.19  | 1.30  | nA     |    |
| ΔV <sub>OS</sub> /ΔT | Input Offset Current Drift   | (Note 2)   |             | 0.5   | 4.0   |           | 0.8   | 7.0   | pA/°C  |    |
| I <sub>B</sub>       | Input Bias Current           |  |             | 7     | 10    |           | 7     | 12    | nA     |    |
| ΔI <sub>B</sub> /ΔT  | Input Bias Current Drift     | (Note 2)   |             | 10    | 25    |           | 10    | 30    | pA/°C  |    |
| CMRR                 | Common Mode Rejection Ratio  | G = 100, V <sub>CM</sub> = 0.1V to 3.2V                          | 91          | 105   |       | 88        | 104   |       | dB     |    |
|                      |                              | G = 10, V <sub>CM</sub> = 0.1V to 2.9V, V <sub>REF</sub> = 0.15V | 80          | 98    |       | 77        | 97    |       | dB     |    |
| I <sub>S</sub>       | Supply Current               |  |             | 88    | 135   |           | 92    | 160   | μA     |    |
| V <sub>0</sub>       | Maximum Output Voltage Swing | Output High, 50k to GND  | 3.8         | 4.1   |       | 3.8       | 4.1   |       | V      |    |
|                      |                              | Output High, 2k to GND   | 3.0         | 3.7   |       | 3.0       | 3.7   |       | V      |    |
|                      |                              | Output Low, V <sub>REF</sub> = 0, No Load                        |             | 4.5   | 8     |           | 4.5   | 8     |        | mV |
|                      |                              | Output Low, V <sub>REF</sub> = 0, 2k to GND                      |             | 0.7   | 1.5   |           | 0.7   | 1.5   |        | mV |
|                      |                              | Output Low, V <sub>REF</sub> = 0, I <sub>SINK</sub> = 100μA      |             | 125   | 170   |           | 125   | 170   |        | mV |

**ELECTRICAL CHARACTERISTICS**  $V_S = 5V, 0V, V_{CM} = 0.1V, V_{REF(PIN 1)} = 0.1V, \text{Gain} = 10 \text{ or } 100,$   
 $0^\circ\text{C} \leq T_A \leq 70^\circ\text{C},$  unless otherwise noted (Note 4).

| SYMBOL                   | PARAMETER                    | CONDITIONS   | LT1101AC |       |       | LT1101C/S |       |       | UNITS            |
|--------------------------|------------------------------|--|----------|-------|-------|-----------|-------|-------|------------------|
|                          |                              |  | MIN      | TYP   | MAX   | MIN       | TYP   | MAX   |                  |
| $G_E$                    | Gain Error                   | $G = 100, V_O = 0.1V \text{ to } 3.5V, R_L = 50k$        |          | 0.017 | 0.065 |           | 0.018 | 0.095 | %                |
|                          |                              | $G = 10, V_{CM} = 0.15V, R_L = 50k$                      |          | 0.010 | 0.060 |           | 0.012 | 0.080 | %                |
| $TCG_E$                  | Gain Error Drift             | $R_L = 50k$ (Note 2)                                     |          | 1     | 4     |           | 1     | 5     | ppm/°C           |
| $G_{NL}$                 | Gain Nonlinearity            | $G = 100, R_L = 50k$                                     |          | 25    | 80    |           | 25    | 100   | ppm              |
|                          |                              | $G = 10, R_L = 50k$ (Note 2)                             |          | 4     | 10    |           | 4     | 11    | ppm              |
| $V_{OS}$                 | Input Offset Voltage         | LT1101SW   |          | 70    | 250   |           | 85    | 350   | $\mu V$          |
|                          |                              |  |          |       |       |           | 300   | 800   | $\mu V$          |
| $\Delta V_{OS}/\Delta T$ | Input Offset Voltage Drift   | (Note 2)   |          | 0.4   | 2.0   |           | 0.5   | 2.8   | $\mu V/^\circ C$ |
|                          |                              | LT1101SW   |          |       |       |           | 1.2   | 4.5   | $\mu V/^\circ C$ |
| $I_{OS}$                 | Input Offset Current         |  |          | 0.14  | 0.70  |           | 0.17  | 1.10  | nA               |
| $\Delta I_{OS}/\Delta T$ | Input Offset Current Drift   | (Note 2)   |          | 0.5   | 4.0   |           | 0.8   | 7     | pA/°C            |
| $I_B$                    | Input Bias Current           |  |          | 6     | 9     |           | 6     | 11    | nA               |
| $\Delta I_B/\Delta T$    | Input Bias Current Drift     | (Note 2)   |          | 10    | 25    |           | 10    | 30    | pA/°C            |
| CMRR                     | Common Mode Rejection Ratio  | $G = 100, V_{CM} = 0.07V \text{ to } 3.3V$               | 93       | 105   |       | 90        | 104   |       | dB               |
|                          |                              | $G = 10, V_{CM} = 0.07V \text{ to } 3V, V_{REF} = 0.15V$ | 82       | 99    |       | 80        | 98    |       | dB               |
| $I_S$                    | Supply Current               |  |          | 80    | 120   |           | 85    | 145   | $\mu A$          |
| $V_O$                    | Maximum Output Voltage Swing | Output High, 50k to GND                                  | 4.0      | 4.2   |       | 4.0       | 4.2   |       | V                |
|                          |                              | Output High, 2k to GND                                   | 3.3      | 3.8   |       | 3.3       | 3.8   |       | V                |
|                          |                              | Output Low, $V_{REF} = 0, \text{No Load}$                |          | 4     | 7     |           | 4     | 7     | mV               |
|                          |                              | Output Low, $V_{REF} = 0, 2k \text{ to GND}$             |          | 0.6   | 1.2   |           | 0.6   | 1.2   | mV               |
|                          |                              | Output Low, $V_{REF} = 0, I_{SINK} = 100\mu A$           |          | 100   | 150   |           | 100   | 150   | mV               |

**Note 1:** Absolute Maximum Ratings are those values beyond which the life of a device may be impaired.

**Note 2:** This parameter is not tested. It is guaranteed by design and by inference from other tests.

**Note 3:** This parameter is tested on a sample basis only.

**Note 4:** These test conditions are equivalent to  $V_S = 4.9V, -0.1V, V_{CM} = 0V, V_{REF(PIN1)} = 0V.$

**Note 5:** Minimum supply voltage is guaranteed by the power supply rejection test. The LT1101 actually works at 1.8V supply with minimal degradation in performance.

## TYPICAL PERFORMANCE CHARACTERISTICS

### Gain = 100 Nonlinearity Distribution



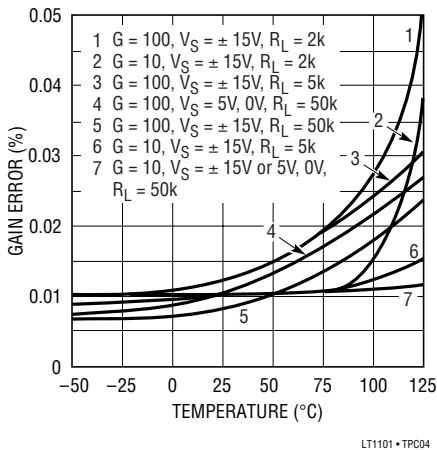
### Gain = 10 Nonlinearity Distribution



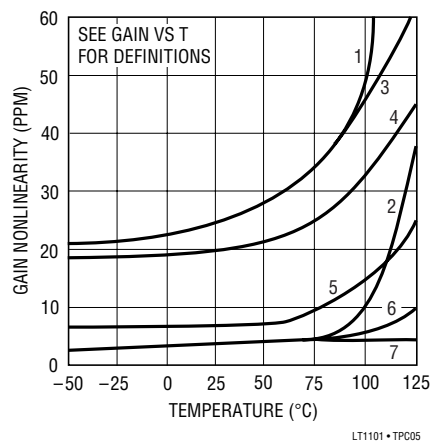
### Gain vs Frequency



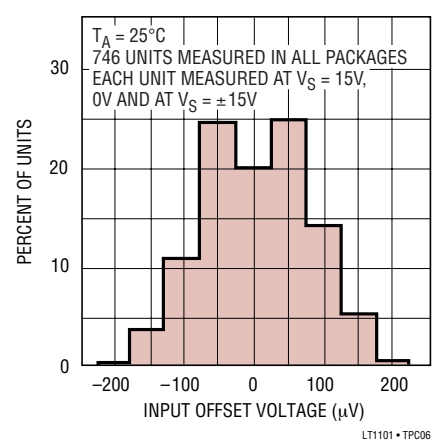
### Gain Error Over Temperature



### Gain Nonlinearity Temperature



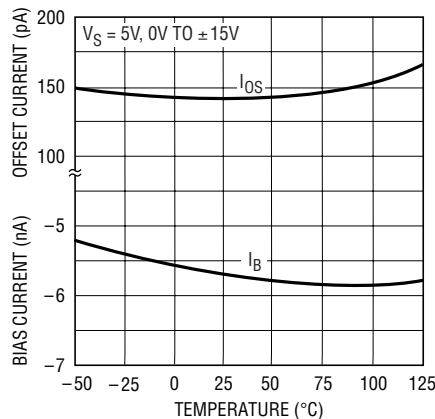
### Input Offset Voltage Distribution



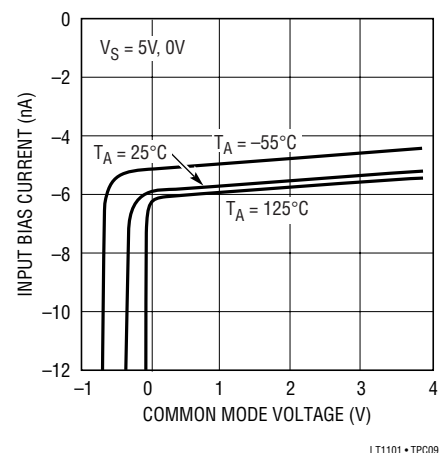
### Supply Current vs Temperature



### Input Bias and Offset Currents vs Temperature



### Input Bias Current vs Common Mode Voltage





# TYPICAL PERFORMANCE CHARACTERISTICS

**Common Mode Rejection Ratio vs Frequency**



LT1101 • TPC10

**Common Mode Range vs Supply Voltage**



LT1101 • TPC11

**Power Supply Rejection Ratio vs Frequency**



LT1101 • TPC12

**Output Saturation vs Temperature vs Sink Current**



LT1101 • TPC13

**Output Voltage Swing vs Load Current**



LT1101 • TPC14

**Short-Circuit Current vs Time**



LT1101 • TPC15

**Capacitive Load Handling**



LT1101 • TPC16

**Undistorted Output Swing vs Frequency**



LT1101 • TPC17

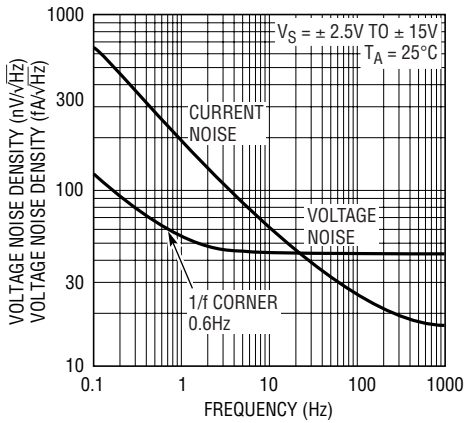
**Output Impedance vs Frequency**



LT1101 • TPC18

**TYPICAL PERFORMANCE CHARACTERISTICS**

**Noise Spectrum**



LT1101 • TPC19

**Warm-Up Drift**



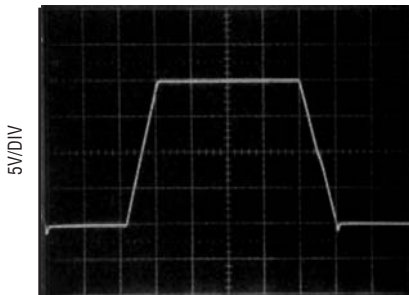
LT1101 • TPC20

**Large Signal Transient Response**  
 $G = 10, V_S = 5V, 0V$



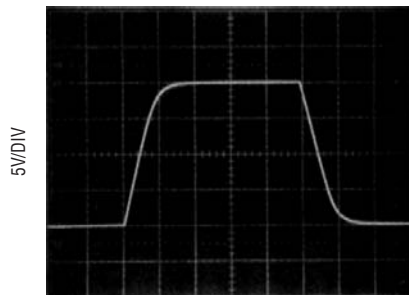
LT1101 • TPC20.1

**Large Signal Transient Response**  
 $G = 10, V_S = 15V$



LT1101 • TPC20.2

**Large Signal Transient Response**  
 $G = 100, V_S = \pm 15V$



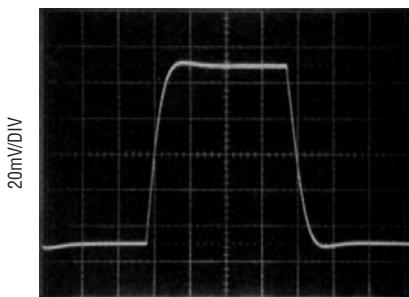
LT1101 • TPC20.3

**Large Signal Transient Response**  
 $G = 100, V_S = 5V, 0V$



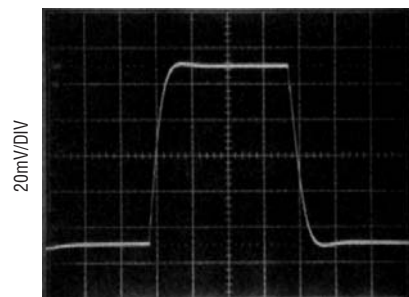
LT1101 • TPC20.4

**Small Signal Transient Response**  
 $G = 10, V_S = 5V, 0V$



LT1101 • TPC20.5

**Small Signal Transient Response**  
 $G = 10, V_S = \pm 15V$



LT1101 • TPC20.6

**Small Signal Transient Response**  
 $G = 100, V_S = 5V, 0V$



LT1101 • TPC20.7

## TYPICAL PERFORMANCE CHARACTERISTICS

**Single Supply: Minimum Common Mode Voltage vs Output Voltage**



LT1101 • TPC21

**Single Supply: Minimum Output Voltage vs Common Mode Voltage**



LT1101 • TPC22

**Minimum Supply Voltage vs Temperature**



LT1101 • TPC23

## APPLICATIONS INFORMATION

### Single Supply Applications

The LT1101 is the first instrumentation amplifier which is fully specified for single supply operation, (i.e. when the negative supply is 0V). Both the input common mode range and the output swing are within a few millivolts of ground.

Probably the most common application for instrumentation amplifiers is amplifying a differential signal from a transducer or sensor resistance bridge. All competitive instrumentation amplifiers have a minimum required common mode voltage which is 3V to 5V above the negative supply. This means that the voltage across the bridge has to be 6V to 10V or dual supplies have to be used (i.e., micropower) single battery usage is not attainable on competitive devices.

The minimum output voltage obtainable on the LT1101 is a function of the input common mode voltage. When the common mode voltage is high and the output is low, current will flow from the output of amplifier A into the output of amplifier B. See the Minimum Output Voltage vs Common Mode Voltage plot.

Similarly, the Single Supply Minimum Common Mode Voltage vs Output Voltage plot specifies the expected common mode range.

When the output is high and input common mode is low, the output of amplifier A has to sink current coming from the output of amplifier B. Since amplifier A is effectively in unity gain, its input is limited by its output.

### Common Mode Rejection vs Frequency

The common mode rejection ratio (CMRR) of the LT1101 starts to roll off at a relatively low frequency. However, as shown on the Common Mode Rejection Ratio vs Frequency plot, CMRR can be enhanced significantly by connecting an 82pF capacitor between pins 1 and 2. This improvement is only available in the gain 100 configuration, and it is in excess of 30dB at 60Hz.

### Offset Nulling

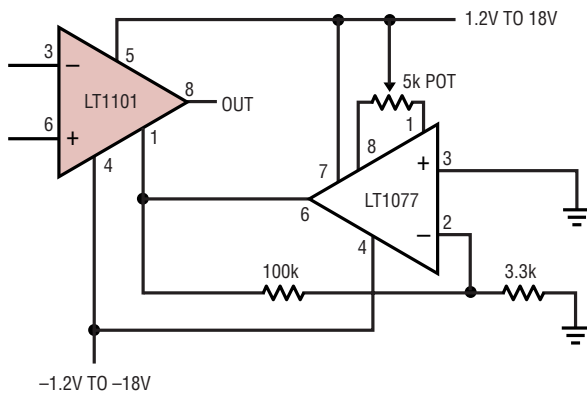
The LT1101 is not equipped with dedicated offset null terminals. In many bridge transducer or sensor applications, calibrating the bridge simultaneously eliminates the instrumentation amplifier's offset as a source of error. For example, in the Micropower Remote Temperature Sensor Application shown, one adjustment removes the offset errors due to the temperature sensor, voltage reference and the LT1101.

## APPLICATIONS INFORMATION

A simple resistive offset adjust procedure is shown below. If  $R = 5\Omega$  for  $G = 10$ , and  $R = 50\Omega$  for  $G = 100$ , then the effect of  $R$  on gain error is approximately 0.006%. Unfortunately, about  $450\mu\text{A}$  has to flow through  $R$  to bias the reference terminal (Pin 1) and to null out the worst-case offset voltage. The total current through the resistor network can exceed 1mA, and the micropower advantage of the LT1101 is lost.



Another offset adjust scheme uses the LT1077 micropower op amp to drive the reference Pin 1. Gain error and common mode rejection are unaffected, the total current increase is  $45\mu\text{A}$ . The offset of the LT1077 is trimmed and amplified to match and cancel the offset voltage of the LT1101. Output offset null range is  $\pm 25\text{mV}$ .



### Gains Between 10 and 100

Gains between 10 and 100 can be achieved by connecting two equal resistors ( $= R_x$ ) between Pins 1 and 2 and Pins 7 and 8.

$$\text{Gain} = 10 + \frac{R_x}{R + R_x/90}$$

The nominal value of  $R$  is  $9.2\text{k}\Omega$ . The usefulness of this method is limited by the fact that  $R$  is not controlled to better than  $\pm 10\%$  absolute accuracy in production. However, on any specific unit,  $90R$  can be measured between Pins 1 and 2.

### Input Protection

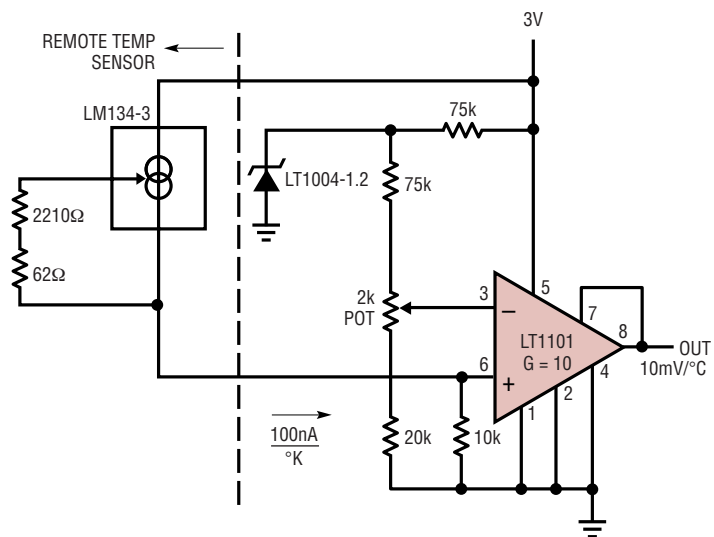
Instrumentation amplifiers are often used in harsh environments where overload conditions can occur. The LT1101 employs PNP input transistors, consequently the differential input voltage can be  $\pm 30\text{V}$  (with  $\pm 15\text{V}$  supplies,  $\pm 36\text{V}$  with  $\pm 18\text{V}$  supplies) without an increase in input bias current. Competitive instrumentation amplifiers have NPN inputs which are protected by back-to-back diodes. When the differential input voltage exceeds  $\pm 1.3\text{V}$  on these competitive devices, input current increases to the milliampere level; more than  $\pm 10\text{V}$  differential voltage can cause permanent damage.

When the LT1101's inputs are pulled above the positive supply, the inputs will clamp a diode voltage above the positive supply. No damage will occur if the input current is limited to 20mA.

$500\Omega$  resistors in series with the inputs protect the LT1101 when the inputs are pulled as much as 10V below the negative supply.

# APPLICATIONS INFORMATION

## Micropower, Battery Operated Remote Temperature Sensor



TRIM OUTPUT TO 250mV AT 25°C  
 TEMPERATURE RANGE = 2.5°C TO 150°C  
 ACCURACY = ±0.5°C

LT1101 • AI03

## 4mA to 20mA Loop Receiver



4mA TO 20mA IN – 0V TO 10V OUT  
 TRIM OUTPUT TO 5V AT 12mA IN

LT1101 • AI04

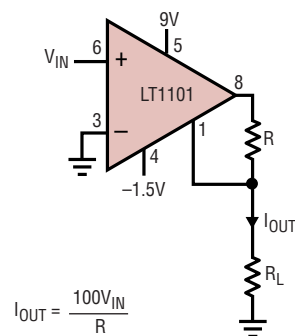
## Instrumentation Amplifier with ±150mA Output Current



GAIN = 10, DEGRADED BY 0.01% DUE TO LT1010  
 OUTPUT = ±10V INTO 75Ω (TO 1.5kHz)  
 DRIVES ANY CAPACITIVE LOAD  
 SINGLE SUPPLY APPLICATION (V+ = 5V, V- = 0V):  
 V<sub>OUT MIN</sub> = 120mV, V<sub>OUT MAX</sub> = 3.4V

LT1101 • AI05

## Voltage Controlled Current Source



$$I_{OUT} = \frac{100V_{IN}}{R}$$

I<sub>OUT</sub> = 0mA TO 5mA  
 VOLTAGE COMPLIANCE = 6.4V  
 (R ≤ 200Ω)

LT1101 • AI06

APPLICATIONS INFORMATION

Differential Voltage Amplification from a Resistance Bridge



Gain = 20, 110 or 200 Instrumentation Amplifier

Differential Output



Single Ended Output

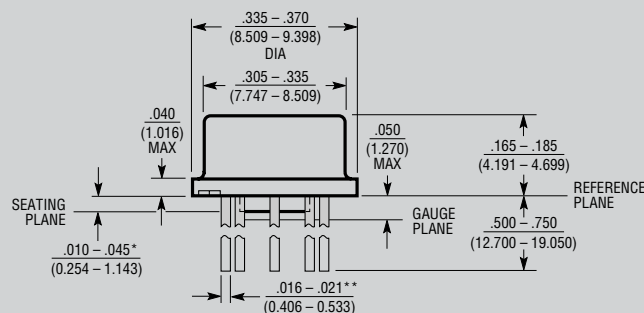


GAIN = 200, AS SHOWN  
 GAIN = 20, SHORT PIN 1 TO PIN 2, PIN 7 TO PIN 8  
 ON BOTH DEVICES  
 GAIN = 110, SHORT PIN 1 TO PIN 2, PIN 7 TO PIN 8  
 ON ONE DEVICE, NOT ON THE OTHER  
 INPUT REFERRED NOISE IS REDUCED BY  $\sqrt{2}$  (G = 200 OR 20)

LT1101 • A108

# PACKAGE DESCRIPTION

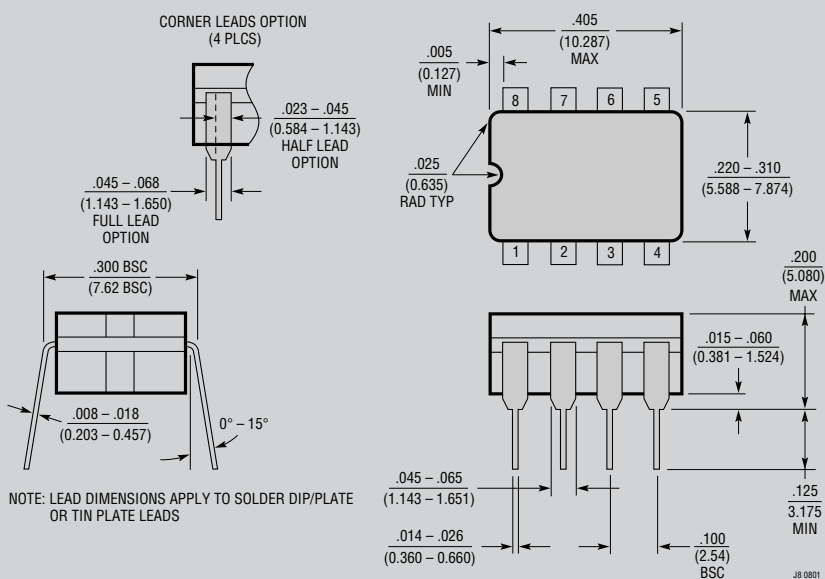
## H Package 8-Lead TO-5 Metal Can (.200 Inch PCD) (Reference LTC DWG # 05-08-1320)



\* LEAD DIAMETER IS UNCONTROLLED BETWEEN THE REFERENCE PLANE AND THE SEATING PLANE

\*\* FOR SOLDER DIP LEAD FINISH, LEAD DIAMETER IS  $.016 - .024$  (0.406 - 0.610) H8(TO-5) 0.200 PCD 0801

## J8 Package 8-Lead CERDIP (Narrow .300 Inch, Hermetic) (Reference LTC DWG # 05-08-1110)



NOTE: LEAD DIMENSIONS APPLY TO SOLDER DIP/PLATE OR TIN PLATE LEADS

# OBSOLETE PACKAGES

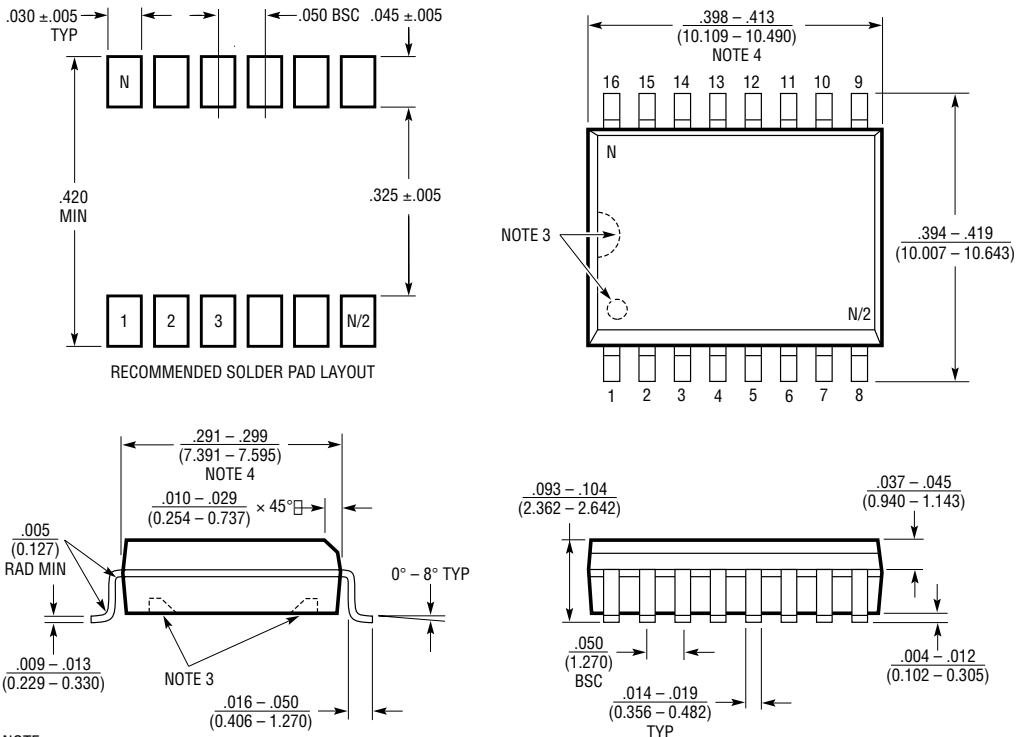
**PACKAGE DESCRIPTION**

**N8 Package**  
**8-Lead PDIP (Narrow .300 Inch)**  
 (Reference LTC DWG # 05-08-1510)



NOTE:  
 1. DIMENSIONS ARE  $\frac{\text{INCHES}}{\text{MILLIMETERS}}$   
 \*THESE DIMENSIONS DO NOT INCLUDE MOLD FLASH OR PROTRUSIONS.  
 MOLD FLASH OR PROTRUSIONS SHALL NOT EXCEED .010 INCH (0.254mm)

**SW Package**  
**16-Lead Plastic Small Outline (Wide .300 Inch)**  
 (Reference LTC DWG # 05-08-1620)



NOTE:  
 1. DIMENSIONS IN  $\frac{\text{INCHES}}{\text{MILLIMETERS}}$   
 2. DRAWING NOT TO SCALE  
 3. PIN 1 IDENT, NOTCH ON TOP AND CAVITIES ON THE BOTTOM OF PACKAGES ARE THE MANUFACTURING OPTIONS.  
 THE PART MAY BE SUPPLIED WITH OR WITHOUT ANY OF THE OPTIONS  
 4. THESE DIMENSIONS DO NOT INCLUDE MOLD FLASH OR PROTRUSIONS.  
 MOLD FLASH OR PROTRUSIONS SHALL NOT EXCEED .006" (0.15mm)

S16 (WIDE) 0502





Компания «ЭлектроПласт» предлагает заключение долгосрочных отношений при поставках импортных электронных компонентов на взаимовыгодных условиях!

Наши преимущества:

- Оперативные поставки широкого спектра электронных компонентов отечественного и импортного производства напрямую от производителей и с крупнейших мировых складов;
- Поставка более 17-ти миллионов наименований электронных компонентов;
- Поставка сложных, дефицитных, либо снятых с производства позиций;
- Оперативные сроки поставки под заказ (от 5 рабочих дней);
- Экспресс доставка в любую точку России;
- Техническая поддержка проекта, помощь в подборе аналогов, поставка прототипов;
- Система менеджмента качества сертифицирована по Международному стандарту ISO 9001;
- Лицензия ФСБ на осуществление работ с использованием сведений, составляющих государственную тайну;
- Поставка специализированных компонентов (Xilinx, Altera, Analog Devices, Intersil, Interpoint, Microsemi, Aeroflex, Peregrine, Syfer, Eurofarad, Texas Instrument, Miteq, Cobham, E2V, MA-COM, Hittite, Mini-Circuits, General Dynamics и др.);

Помимо этого, одним из направлений компании «ЭлектроПласт» является направление «Источники питания». Мы предлагаем Вам помощь Конструкторского отдела:

- Подбор оптимального решения, техническое обоснование при выборе компонента;
- Подбор аналогов;
- Консультации по применению компонента;
- Поставка образцов и прототипов;
- Техническая поддержка проекта;
- Защита от снятия компонента с производства.



#### Как с нами связаться

**Телефон:** 8 (812) 309 58 32 (многоканальный)

**Факс:** 8 (812) 320-02-42

**Электронная почта:** [org@eplast1.ru](mailto:org@eplast1.ru)

**Адрес:** 198099, г. Санкт-Петербург, ул. Калинина, дом 2, корпус 4, литера А.