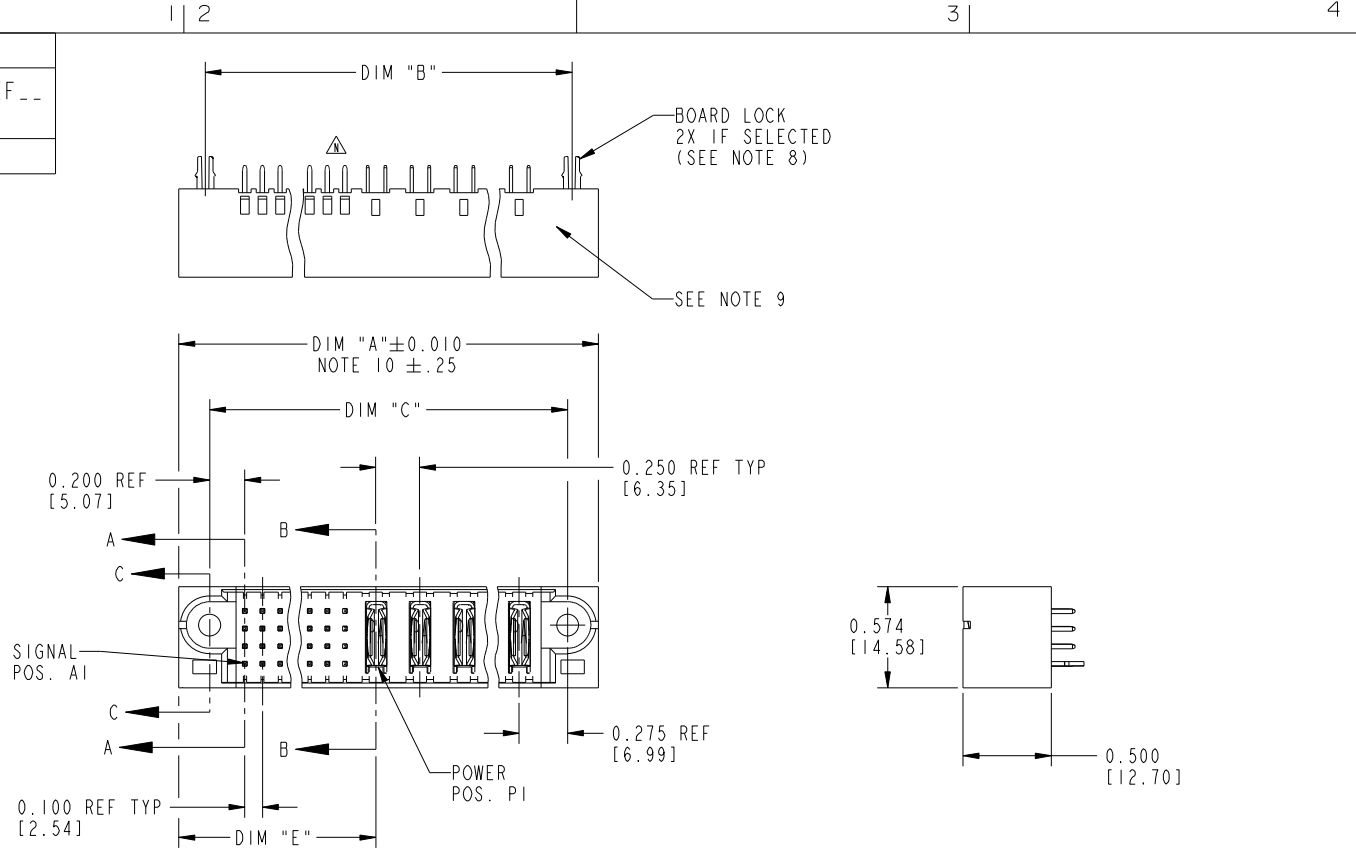


Tous droits strictement réservés. Reproduction ou communication à des tiers interdite sous quelque forme que ce soit sans autorisation écrite du propriétaire. Propriété de c.FCI. Droits de reproduction FCI.



All rights strictly reserved. Reproduction or issue to third parties in any form whatever is not permitted without written authority from the proprietor. Property of FCI. Copyright FCI.

PRODUCT NUMBER
51701-A00CCDDEF--
Note: ①
SEE NOTE 1



| | | | | | | | | | | | |
|-------------|----------------|----|----------|------------|-----------------------|---------------------------------------|-------------|----------|--|------------------------|--|
| mat'l code | | | | SEE NOTE 2 | | tolerances unless otherwise specified | | CUSTOMER | | www.fciconnect.com | |
| ltr | ecn no. | dr | date | linear | .XX±.01/0.X±0.3 | | COPY | | title VERTICAL HEADER w/ GUIDE PIN SIGNAL / POWER | | |
| J | DG05-0132 | SJ | 05/30/05 | | .XXX±.005/0.XX±0.13 | | projection | | | | |
| K | DG06-0505 | CS | 01/13/05 | angles | .XXXX±.0020/.XXX±.051 | | INCH/MM | | product family PWRBLADE code 213 size dwg no 51701 sheet 1 of 3 | | |
| L | DG08-0239 | JC | 09/11/08 | | 0°±2° | | scale | | | | |
| M | DG09-0231 | JW | 07/14/09 | dr | JRW | 10-15-01 | 1:1 | | cage code 22526 | | |
| N | DG10-0078 | AL | 02/23/10 | enr | J.ALLISON | 10-15-01 | | | | | |
| | | | | chr | J.ALLISON | 10-15-01 | | | | | |
| | | | | appd | J.ALLISON | 10-15-01 | | | | | |
| sheet index | revision sheet | N | N | N | | | | | | | |
| | | 1 | 2 | 3 | | | | | | | |

Pro/E

cage code 22526

Tous droits strictement réservés. Reproduction ou communication à des tiers interdite sous quelque forme que ce soit sans autorisation écrite du propriétaire. Propriété de c FCI. Droits de reproduction FCI.

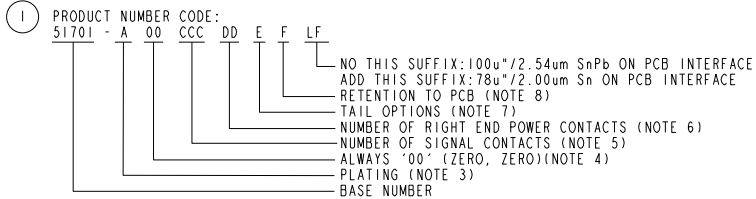


All rights strictly reserved. Reproduction or issue to third parties in any form whatever is not permitted without written authority from the proprietor. Property of FCI. Copyright FCI.

| |
|-------------------------------|
| PRODUCT NUMBER |
| 51701-A00CCDDEF_-- Note: ① |
| SEE NOTE 1 |

| DIM | LENGTH FORMULAS (SEE NOTE 10) |
|---------|---|
| DIM "A" | .100 [2.54] x (CCC/4) + .250 [6.35] x DD + .650 [16.51] (NOTE 10) |
| DIM "B" | .100 [2.54] x (CCC/4) + .250 [6.35] x DD + .350 [8.89] |
| DIM "C" | .100 [2.54] x (CCC/4) + .250 [6.35] x DD + .300 [7.62] |
| DIM "E" | .100 [2.54] x (CCC/4) + .450 [11.43] |
| DIM "F" | .100 [2.54] x (CCC/4) + .250 [6.35] x DD + .680 [17.27] |
| DIM "H" | .100 [2.54] x (CCC/4) + .250 [6.35] |

CONNECTOR NOTES



- ① PRODUCT NUMBER CODE:
51701 - A 00 CCC DD E F LF
- ② HOUSING MATERIAL: UL94 V-0 GLASS FILLED HIGH TEMP THERMO PLASTIC.
SIGNAL CONTACT MATERIAL: COPPER ALLOY
POWER CONTACT MATERIAL: COPPER ALLOY
- ③ PLATING OPTION:
1=SEE PRINT 10064183 FOR PLATING SPEC OF 51701-100CCDDEF; 51701-100CCDDEF LF
- ④ THIS PART NOT AVAILABLE WITH LEFT SIDE POWER CONTACTS.
- ⑤ SIGNAL CONTACT, 004 TO 148 AVAILABLE.
- ⑥ RIGHT END POWER CONTACTS, 01 - 20 AVAILABLE.
- ⑦ TAIL OPTIONS:
A = 0.135 +0.015/-0.010 [3.43 +.38/- .25] SOLDER TO BOARD
B = 0.165 +0.015/-0.010 [4.19 +.38/- .25] SOLDER TO BOARD
C = 0.165 +0.015/-0.010 [4.19 +.38/- .25] PRESS FIT
- ⑧ RETENTION TO PCB OPTIONS:
A = BOARD LOCK (REQUIRES 0.098 = .002/- .001 [2.49 +0.05/-0.03] THRU HOLE IN PCB). (NOT AVAILABLE WITH PRESS FIT)
C = NO RETENTION FEATURE (ALL PRESS FIT).

- ⑨ MANUFACTURE'S NAME, P/N, AND DATE CODE TO APPEAR ON THIS SURFACE.
 - 10. THE MAXIMUM OVERALL LENGTH (DIM A) OF A PART IS 8.00 [203.2]
 - 11. PRODUCT SPECIFICATION GS-12-149
 - 12. SEE PWRBLADE VERTICAL HEADER SPECIAL WORKSHEET (51696) FOR MATING LENGTH OPTIONS.
 - ⑬ DIMENSIONS AND TOLERANCES ARE IN ACCORDANCE WITH ASME Y14.5M, 1994 UNLESS OTHERWISE SPECIFIED.
- PCB NOTES:
- 14. ALL DIMENSIONS ARE BASIC UNLESS OTHERWISE SPECIFIED.
 - 15. ALL THROUGH HOLES ARE LOCATED WITH A TRUE POSITION OF 0.004 [0.10]
 - 16. ALL HOLE DIAMETERS ARE FINISHED HOLE SIZE.
 - 17. Ø0.098 [2.49] THROUGH HOLES ARE UNPLATED
 - 18. Ø0.0453 ±0.0010 [1.151 ±0.025] DRILLED HOLES PLATED WITH 0.0003 [0.008] MIN SnPb OVER 0.001 [0.03] TO 0.003 [0.08] Cu PLATING TO ACHIEVE A Ø0.040±0.003 [1.02±0.07] HOLE.
 - 19. FOR PRESS FIT APPLICATION USE FCI CAM TOOL 430169-XXX.
 - 20. A Δ SYMBOL WILL BE NEXT TO ANY DIMENSION, VIEW, OR NOTE WHICH HAS BEEN MODIFIED WITH THE CURRENT DRAWING REVISION.

| | | | | | | | | | | | |
|-------------|----------------|------------|------|---------------------------------------|----------------------|------------|---------|---|----------|--------------------|-------|
| mat'l code | | SEE NOTE 2 | | tolerances unless otherwise specified | | CUSTOMER | | FCI | | www.fciconnect.com | |
| ltr | ecn no. | dr | date | linear | .XX±.01/0.X±0.3 | projection | COPY | title | | | |
| N | | | | angles | .XXX±.005/0.XX±0.13 | | | VERTICAL HEADER w/ GUIDE PIN SIGNAL / POWER | | | |
| | | | | dr | .XXX±.0020/.XXX±.051 | | INCH/MM | product family | PWRBLADE | code | 213 |
| | | | | enrg | 0°±2° | scale | 1:1 | size | A | dwg no | 51701 |
| | | | | chr | JR | JRW | | | | sheet | 2 |
| | | | | appd | J.ALLISON | J.ALLISON | | | | | |
| sheet index | revision sheet | | | | | | | | | | |

cage code 22526

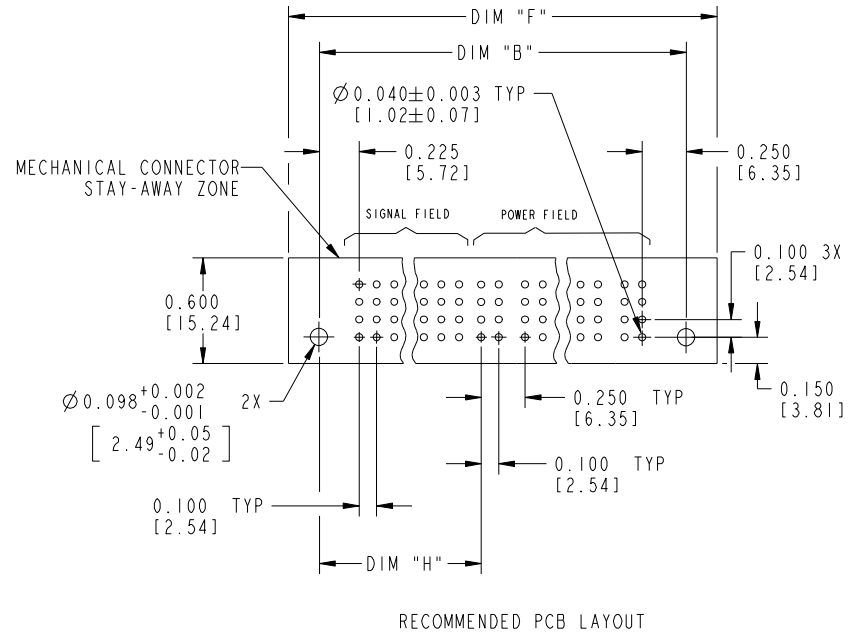
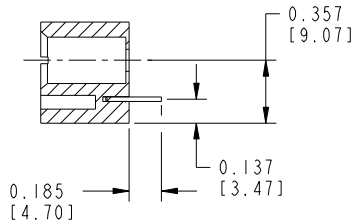
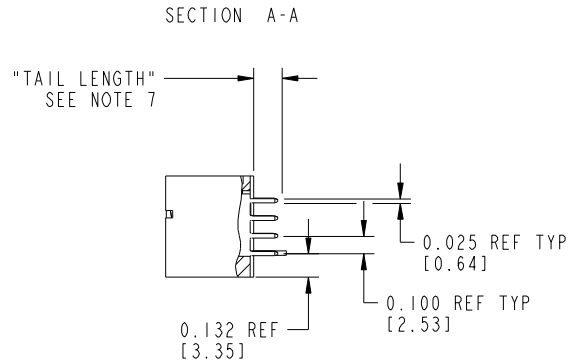
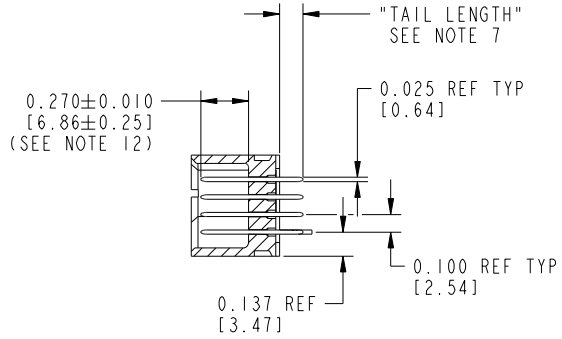
Pro/E

Tous droits strictement réservés. Reproduction ou communication à des tiers interdite sous quelque forme que ce soit sans autorisation écrite du propriétaire. Propriété de c.FCI. Droits de reproduction FCI.



All rights strictly reserved. Reproduction or issue to third parties in any form whatever is not permitted without written authority from the proprietor. Property of FCI. Copyright FCI.

| |
|--------------------|
| PRODUCT NUMBER |
| 51701-A00CCDDEF_.. |
| Note: ① |
| SEE NOTE 1 |



| | | | | | | | | | | | |
|-------------|----------------|----|------|------------|----------------------|---------------------------------------|-------------|----------|--|------------------------|-------|
| mat'l code | | | | SEE NOTE 2 | | tolerances unless otherwise specified | | CUSTOMER | | www.fciconnect.com | |
| ltr | ecn no. | dr | date | linear | .XX±.01/.X±0.3 | | COPY | | title VERTICAL HEADER w/ GUIDE PIN SIGNAL / POWER | | |
| N | | | | | .XXX±.005/0.XX±0.13 | | projection | | | | |
| | | | | | .XXX±.0020/.XXX±.051 | | | | | | |
| | | | | angles | 0°±2° | | INCH/MM | | product family | | code |
| | | | | dr | JRW | 10-15-01 | scale | | PWRBLADE | | 213 |
| | | | | enr | J.ALLISON | 10-15-01 | 1:1 | | size | | sheet |
| | | | | chr | J.ALLISON | 10-15-01 | A | | dwg no | | 3 |
| | | | | appd | J.ALLISON | 10-15-01 | 51701 | | 51701 | | |
| sheet index | revision sheet | | | | | | | | | | |

Pro/E

cage code 22526



Компания «ЭлектроПласт» предлагает заключение долгосрочных отношений при поставках импортных электронных компонентов на взаимовыгодных условиях!

Наши преимущества:

- Оперативные поставки широкого спектра электронных компонентов отечественного и импортного производства напрямую от производителей и с крупнейших мировых складов;
- Поставка более 17-ти миллионов наименований электронных компонентов;
- Поставка сложных, дефицитных, либо снятых с производства позиций;
- Оперативные сроки поставки под заказ (от 5 рабочих дней);
- Экспресс доставка в любую точку России;
- Техническая поддержка проекта, помощь в подборе аналогов, поставка прототипов;
- Система менеджмента качества сертифицирована по Международному стандарту ISO 9001;
- Лицензия ФСБ на осуществление работ с использованием сведений, составляющих государственную тайну;
- Поставка специализированных компонентов (Xilinx, Altera, Analog Devices, Intersil, Interpoint, Microsemi, Aeroflex, Peregrine, Syfer, Eurofarad, Texas Instrument, Miteq, Cobham, E2V, MA-COM, Hittite, Mini-Circuits, General Dynamics и др.);

Помимо этого, одним из направлений компании «ЭлектроПласт» является направление «Источники питания». Мы предлагаем Вам помощь Конструкторского отдела:

- Подбор оптимального решения, техническое обоснование при выборе компонента;
- Подбор аналогов;
- Консультации по применению компонента;
- Поставка образцов и прототипов;
- Техническая поддержка проекта;
- Защита от снятия компонента с производства.



Как с нами связаться

Телефон: 8 (812) 309 58 32 (многоканальный)

Факс: 8 (812) 320-02-42

Электронная почта: org@eplast1.ru

Адрес: 198099, г. Санкт-Петербург, ул. Калинина, дом 2, корпус 4, литера А.