

Customer Information Sheet

DRAWING No.: M80-500000M7-XX-XXX-00-000

IF IN DOUBT - ASK

©

NOT TO SCALE

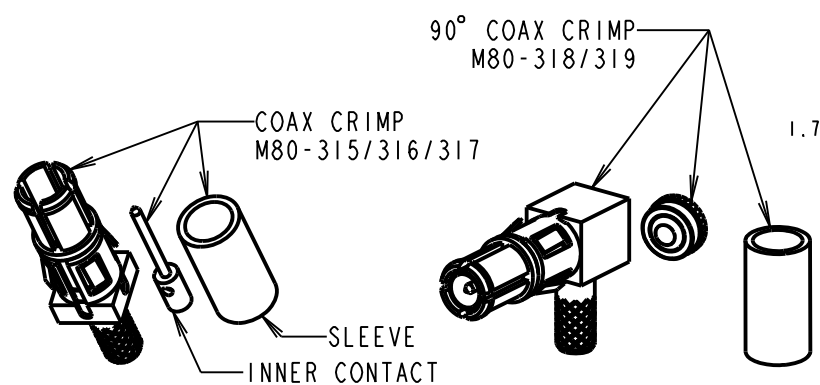
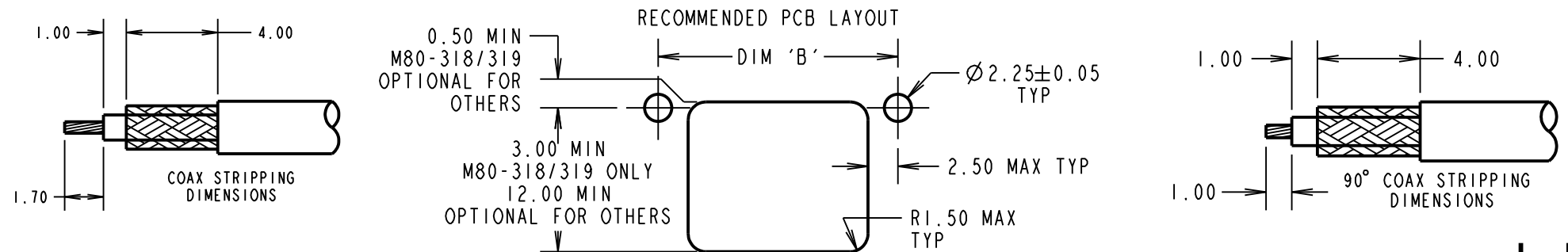
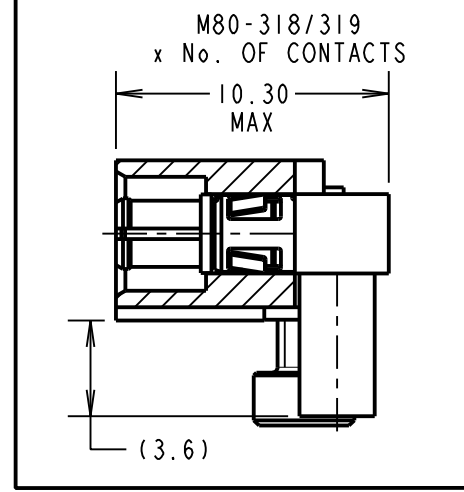
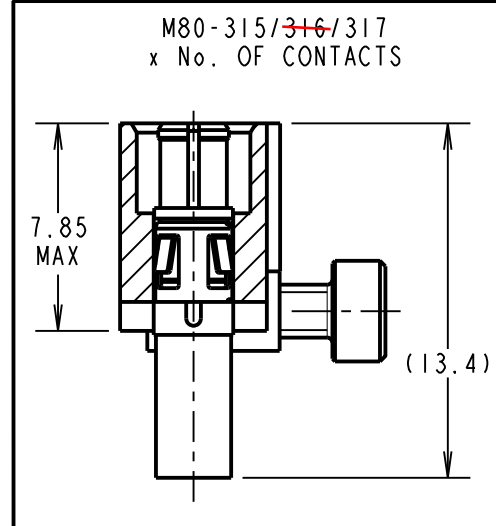
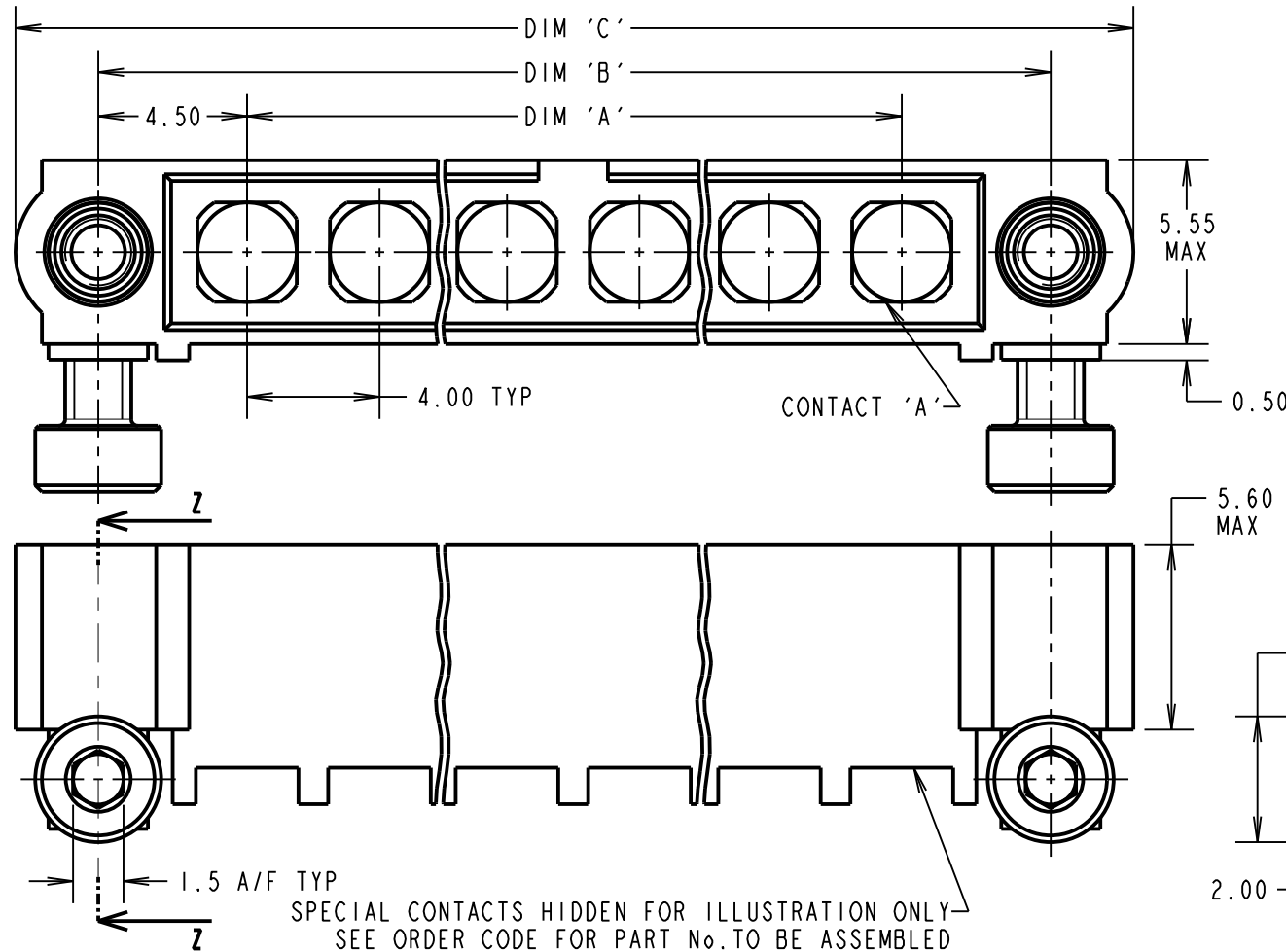
THIRD ANGLE PROJECTION

ALL DIMENSIONS IN mm

SPECIFICATIONS:

- MATERIAL:**
 MOULDING: GLASS FILLED PPS, UL94V-0, BLACK
 COAX CONTACT:
 BODY, SLEEVE, INNER CONTACT,
 END PLUG = COPPER ALLOY
 LATCHING COLLAR = BERYLLIUM COPPER
 INSULATOR = PTFE
 BOARD MOUNT JACKSCREW, SCREW = STAINLESS STEEL
- FINISH:**
 COAX CONTACT:
 BODY, SLEEVE, INNER CONTACT, END PLUG = GOLD
 LATCHING COLLAR = NICKEL
- ELECTRICAL:**
 COAX CONTACT:
 FREQUENCY RANGE = 6GHz
 IMPEDANCE = 50Ω
 V.S.W.R = 1.05 + (0.04 x FREQUENCY) GHz MAX
 CONTACT RESISTANCE = 6mΩ MAX
 INSULATION RESISTANCE = 10⁶MΩ @250V AC
 OPERATING VOLTAGE = 180V AC @ 500mA
 MAXIMUM VOLTAGE = 1000V AC
- MECHANICAL:**
 DURABILITY = 500 OPERATIONS
 COAX CONTACT:
 INSERTION FORCE = 8N MAX
 WITHDRAWAL FORCE = 0.5N MIN
- ENVIRONMENTAL:**
 TEMPERATURE RANGE = -55°C TO +125°C
- PACKING:**
 BAG
 FOR COMPLETE SPECIFICATION SEE COMPONENT SPECIFICATION C005XX (LATEST ISSUE)

COAX CRIMP CONTACTS ONLY



CRIMP/SOLDER NOTES:

- CONNECTORS ARE SUPPLIED WITH CONTACTS AND SCREWS LOOSE.
- COAX CONTACT IS SUPPLIED AS A KIT OF PARTS: BODY, MAIN INSULATOR, INNER CONTACT AND LATCHING COLLAR ARE PRE-ASSEMBLED AND SLEEVE AND INSULATED END PLUG ASSEMBLY ARE SEPARATE.
- FOR EXTRA COAX CONTACTS, USE PART NUMBERS M80-315/316/317/318/319.
- COAX CONTACT EXTRACTION TOOL = Z80-290.
- RECOMMENDED HAND CRIMP TOOL FOR INNER COAX CONTACT = Z80-292 WITH POSITIONER Z80-291. RECOMMENDED HAND CRIMP TOOL AND DIE SET FOR SLEEVE = Z80-293.
- INSTRUCTION SHEETS ARE AVAILABLE.

ORDER CODE: (COAX CRIMP CONTACTS)
M80-500000M7-XX-XXX-00-000

TOTAL No. OF CONTACTS _____
 02 TO 12

SPECIAL CONTACTS
 315 = COAX CONTACT 2.00mm CRIMP M80-315
~~316 = COAX CONTACT 2.40mm CRIMP M80-316~~
 317 = COAX CONTACT 2.70mm CRIMP M80-317
 318 = COAX CONTACT 2.00mm HORIZ' CRIMP M80-318
 319 = COAX CONTACT 2.70mm HORIZ' CRIMP M80-319

MGP	6	09.12.19	21540
NAME	ISS.	DATE	C/NOTE
APPROVED: MGP			
CHECKED: MR			
DRAWN: S.MCCULLAGH			
CUSTOMER REF.:			
ASSEMBLY DRG:			

DIMENSION	CALCULATION
DIM 'A'	4 x No. OF CONTACTS - 4.00
DIM 'B'	4 x No. OF CONTACTS + 5.00
DIM 'C'	4 x No. OF CONTACTS + 10.0

EXAMPLE 1: CONNECTOR WITH 08 COAX CONTACTS,
 M80-500000M7-08-315-00-000
 DIM 'A' = 28.00mm, DIM 'B' = 37.00mm, DIM 'C' = 42.00mm

HARWIN
 www.harwin.com
 technical@harwin.com

THIS DRAWING AND ANY INFORMATION OR DESCRIPTIVE MATTER SET OUT HEREON ARE CONFIDENTIAL AND COPYRIGHT PROPERTY OF THE HARWIN GROUP AND MUST NOT BE DISCLOSED, LOANED, COPIED OR USED FOR MANUFACTURING, TENDERING OR FOR ANY OTHER PURPOSE WITHOUT THEIR WRITTEN PERMISSION.

TOLERANCES
 X. = ±1mm
 X.X = ±0.50mm
 X.XX = ±0.20mm
 X.XXX = ±0.01mm
 ANGLES = ±5°
 UNLESS STATED

MATERIAL: SEE ABOVE
 FINISH: SEE ABOVE
 S/AREA: mm²

TITLE: DATAMATE MIX-TEK MALE ASSY WITH HEX SOCKET BOARDMOUNT J/SCREW
 DRAWING NUMBER: **M80-500000M7-XX-XXX-00-000**
 SHT 4 OF 6

Customer Information Sheet

DRAWING No.: M80-500000M7-XX-XXX-00-000

IF IN DOUBT - ASK

©

NOT TO SCALE

THIRD ANGLE PROJECTION

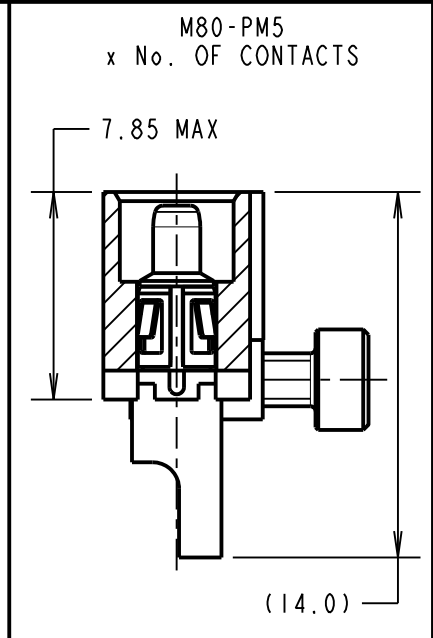
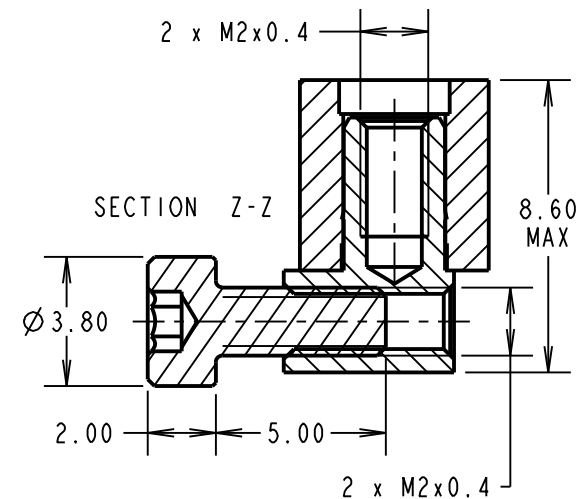
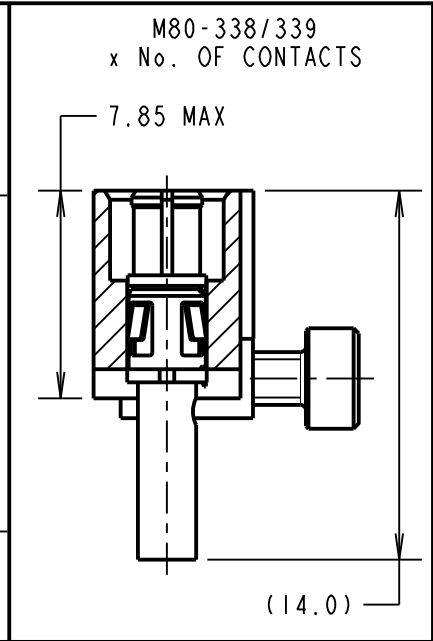
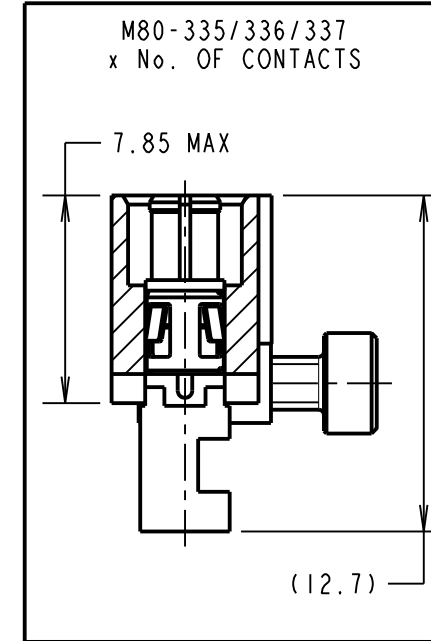
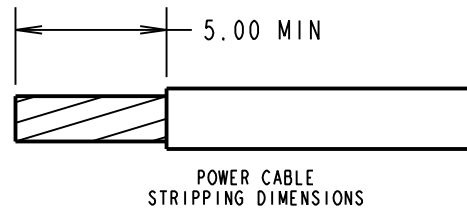
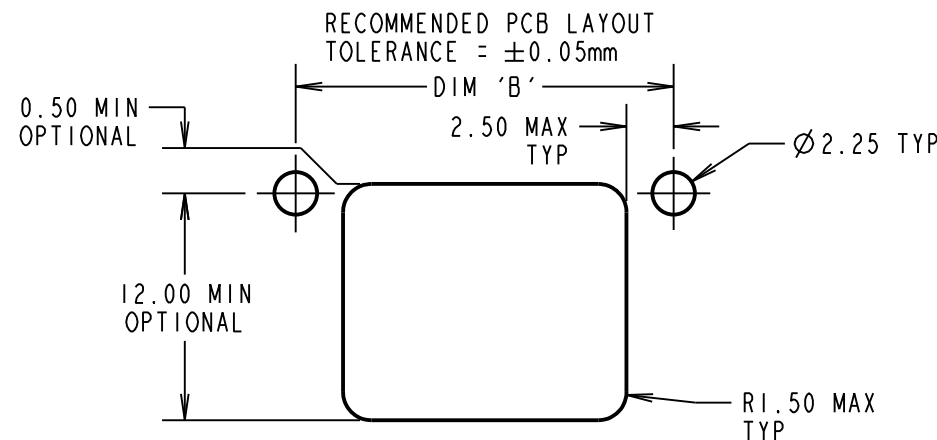
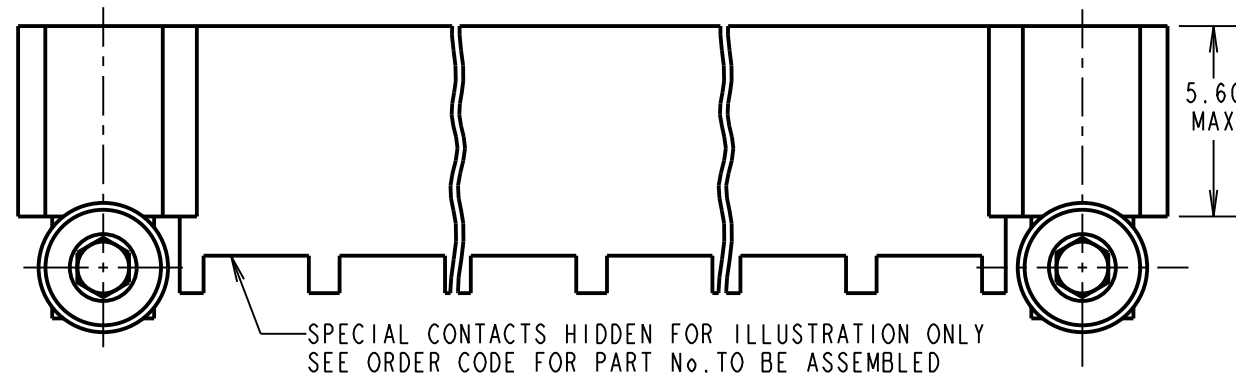
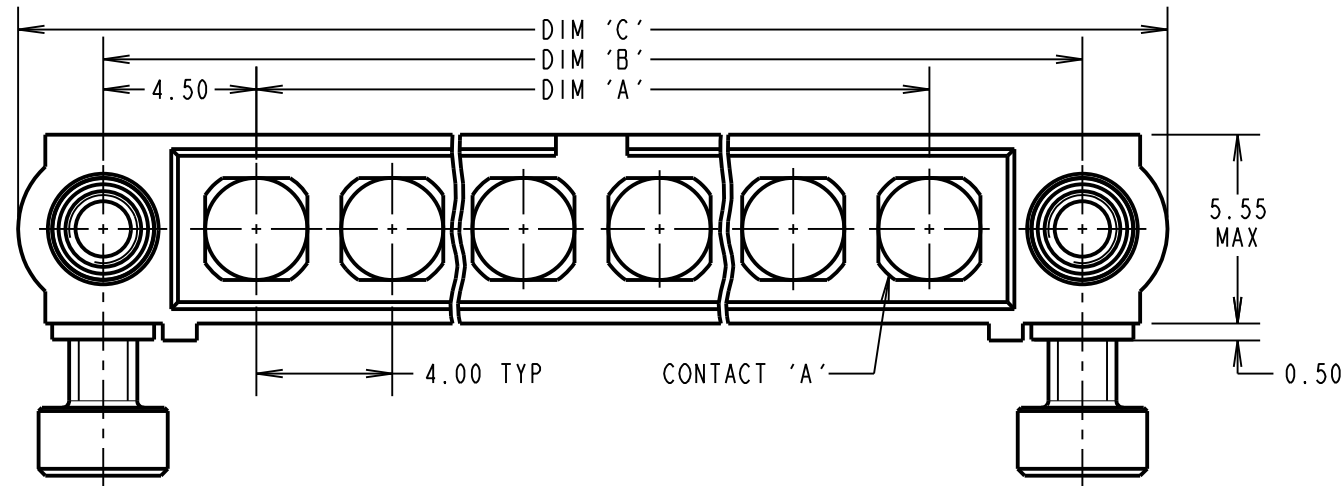
ALL DIMENSIONS IN mm

SPECIFICATIONS:

MATERIAL:
 MOULDING: GLASS FILLED PPS, UL94V-0, BLACK
POWER CONTACT:
 BODY, SLEEVE, INNER CONTACT, END PLUG = COPPER ALLOY
 LATCHING COLLAR = BERYLLIUM COPPER
 INSULATOR = PTFE
BOARD MOUNT JACKSCREW, SCREW = STAINLESS STEEL
FINISH:
POWER CONTACT:
 BODY, SLEEVE, INNER CONTACT, END PLUG = GOLD
 LATCHING COLLAR = NICKEL
ELECTRICAL:
 WORKING VOLTAGE = 800V AC/DC
 VOLTAGE PROOF = 1200V AC/DC
 INSULATION RESISTANCE = 100MΩ MIN
POWER CONTACT:
 CONTACT RESISTANCE = 6mΩ MAX
 CURRENT RATING = M80-335 = 20A MAX WITH 12AWG
 M80-336 = 15A MAX WITH 14AWG
 M80-337 = 10A MAX WITH 16AWG
 M80-338 = 8A MAX WITH 18AWG
 M80-339 = 5A MAX WITH 20AWG
 M80-PM5 = 40A MAX WITH 10AWG
 CONTACT AS SPECIFIED

MECHANICAL:
 DURABILITY = 500 OPERATIONS
POWER CONTACT:
 INSERTION FORCE:
 M80-335/336/337/338/339 = 8N MAX
 M80-PM5 = 15N MAX
 WITHDRAWAL FORCE = 0.5N MIN
ENVIRONMENTAL:
 TEMPERATURE RANGE:
 M80-335/336/337/338/339 = -55°C TO +125°C
 M80-PM5 = -55°C TO +150°C
PACKING:
 BAG
 FOR COMPLETE SPECIFICATION SEE COMPONENT SPECIFICATION C005XX (LATEST ISSUE)

POWER CRIMP & SOLDER CONTACTS ONLY



CRIMP/SOLDER NOTES:

- CONNECTORS ARE SUPPLIED WITH CONTACTS AND SCREWS LOOSE.
- FOR EXTRA POWER CONTACTS USE PART NUMBERS M80-335/336/337/338/339/PM5.
- POWER CONTACT EXTRACTION TOOL = Z80-290.
- RECOMMENDED HAND CRIMP TOOL FOR CONTACTS 338/339 = Z80-294 AND POSITIONER Z80-295.
- INSTRUCTION SHEETS ARE AVAILABLE.

ORDER CODE: (POWER CRIMP/SOLDER CONTACTS)
M80-500000M7-XX-XXX-00-000
 TOTAL No. OF CONTACTS _____
 02 TO 12
 SPECIAL CONTACTS
 335 = POWER CONTACT 12AWG SOLDER M80-335
 336 = POWER CONTACT 14AWG SOLDER M80-336
 337 = POWER CONTACT 16AWG SOLDER M80-337
 338 = POWER CONTACT 18AWG SOLDER/CRIMP M80-338
 339 = POWER CONTACT 20AWG SOLDER/CRIMP M80-339
 PM5 = POWER CONTACT 10AWG SOLDER M80-PM5

MGP	6	09.12.19	21540
NAME	ISS.	DATE	C/NOTE
APPROVED: MGP			
CHECKED: MR			
DRAWN: S.MCCULLAGH			
CUSTOMER REF.:			
ASSEMBLY DRG:			

DIMENSION	CALCULATION
DIM 'A'	4 x No. OF CONTACTS - 4.00
DIM 'B'	4 x No. OF CONTACTS + 5.00
DIM 'C'	4 x No. OF CONTACTS + 10.0

EXAMPLE 2: CONNECTOR WITH 10 POWER CONTACTS,
 M80-500000M7-10-335-00-000
 DIM 'A' = 36.00mm, DIM 'B' = 45.00mm, DIM 'C' = 50.0mm



THIS DRAWING AND ANY INFORMATION OR DESCRIPTIVE MATTER SET OUT HEREON ARE CONFIDENTIAL AND COPYRIGHT PROPERTY OF THE HARWIN GROUP AND MUST NOT BE DISCLOSED, LOANED, COPIED OR USED FOR MANUFACTURING, TENDERING OR FOR ANY OTHER PURPOSE WITHOUT THEIR WRITTEN PERMISSION.

TOLERANCES
 X. = ±1mm
 X.X = ±0.50mm
 X.XX = ±0.20mm
 X.XXX = ±0.01mm
ANGLES = ±5°
 UNLESS STATED

MATERIAL:
 SEE ABOVE
FINISH: SEE ABOVE
S/AREA: mm²

TITLE: DATAMATE MIX-TEK MALE ASSY WITH HEX SOCKET BOARDMOUNT J/SCREW
DRAWING NUMBER: M80-500000M7-XX-XXX-00-000
 SHT 5 OF 6

Customer Information Sheet

DRAWING No.: M80-500000M7-XX-XXX-00-000

IF IN DOUBT - ASK

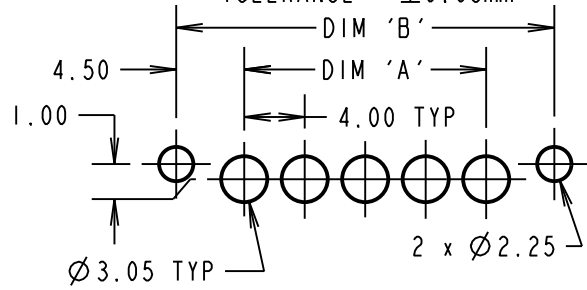
©

NOT TO SCALE

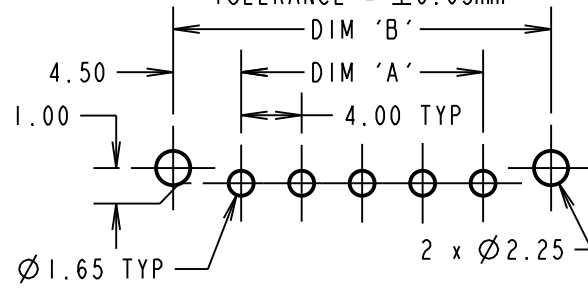
THIRD ANGLE PROJECTION

ALL DIMENSIONS IN mm

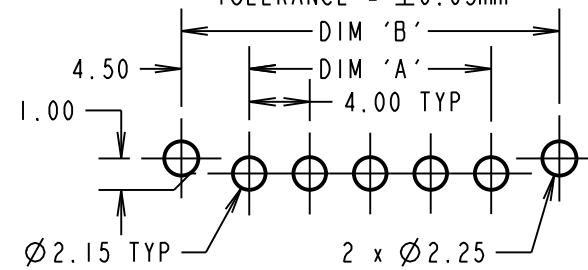
RECOMMENDED PCB LAYOUT FOR
SMT CONTACT: M80-33A
TOLERANCE = $\pm 0.05\text{mm}$



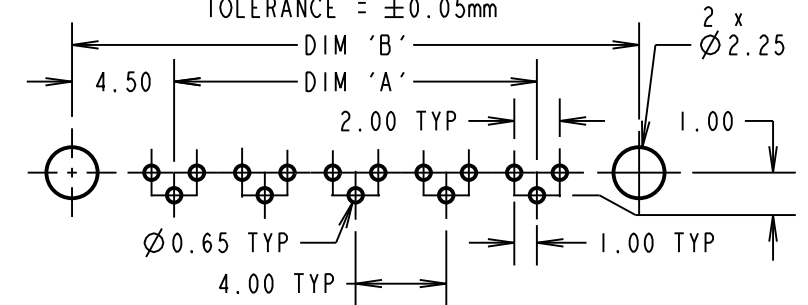
RECOMMENDED PCB LAYOUT FOR
POWER CONTACTS: M80-333/334
TOLERANCE = $\pm 0.05\text{mm}$



RECOMMENDED PCB LAYOUT FOR
POWER CONTACTS: M80-PM3/PM4
TOLERANCE = $\pm 0.05\text{mm}$



RECOMMENDED PCB LAYOUT FOR
COAX CONTACTS: M80-313/314
TOLERANCE = $\pm 0.05\text{mm}$



SPECIFICATIONS:

MATERIAL:
MOULDING: GLASS FILLED PPS, UL94V-0, BLACK
POWER CONTACT: COPPER ALLOY
COAX CONTACT:
BODY = COPPER ALLOY
INNER CONTACT = COPPER ALLOY
INSULATOR = PTFE
JACKSCREW, SCREW = STAINLESS STEEL

FINISH:
POWER CONTACT: GOLD
COAX CONTACT: BODY, INNER CONTACT = GOLD

ELECTRICAL:
POWER CONTACT:
WORKING VOLTAGE = 800V AC/DC
VOLTAGE PROOF = 1200V AC/DC
INSULATION RESISTANCE = 100MΩ MIN
CONTACT RESISTANCE = 6mΩ MAX
CURRENT RATING:
M80-333/334/33A = 20A MAX
M80-PM3/PM4 = 40A MAX

COAX CONTACT:
FREQUENCY RANGE = 6GHz
IMPEDANCE = 50Ω
V.S.W.R = 1.05 + (0.04 x FREQUENCY) GHz MAX
CONTACT RESISTANCE = 6mΩ MAX

INSULATION RESISTANCE = 10⁶MΩ @250V AC
OPERATING VOLTAGE = 180V AC @ 500mA
MAXIMUM VOLTAGE = 1000V AC

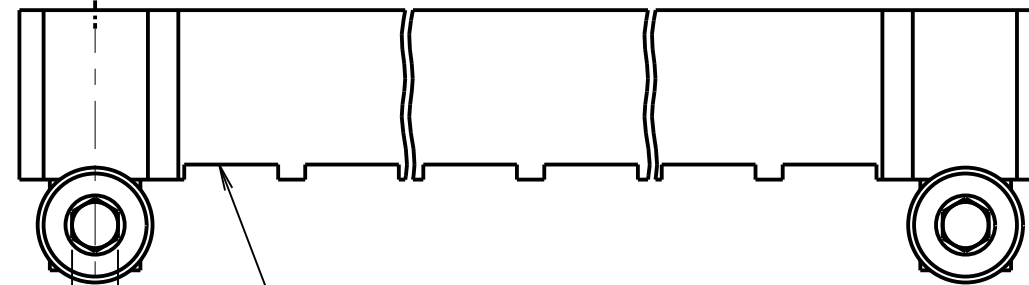
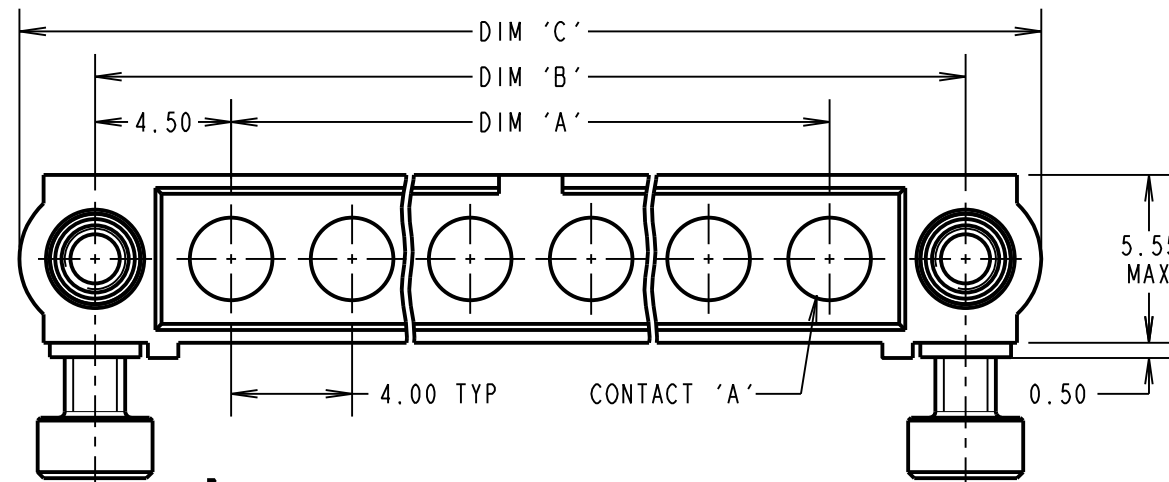
MECHANICAL:
DURABILITY = 500 OPERATIONS
POWER CONTACT:
INSERTION FORCE:
M80-333/334/33A = 8N MAX
M80-PM3/PM4 = 15N MAX
WITHDRAWAL FORCE = 0.5N MIN

COAX CONTACT:
INSERTION FORCE = 8N MAX
WITHDRAWAL FORCE = 0.5N MIN

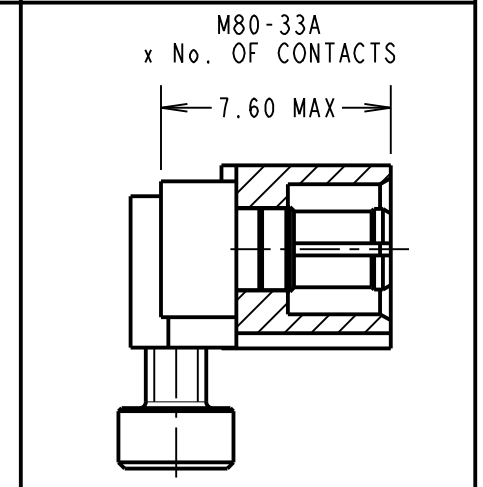
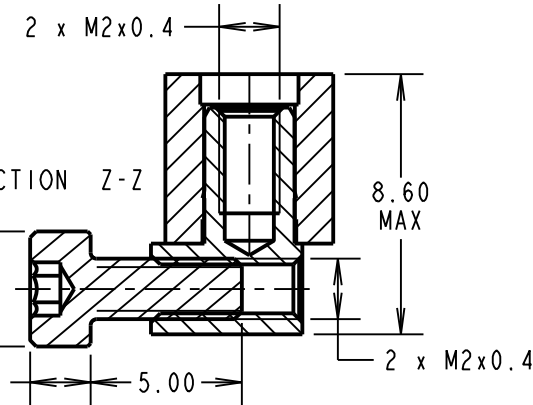
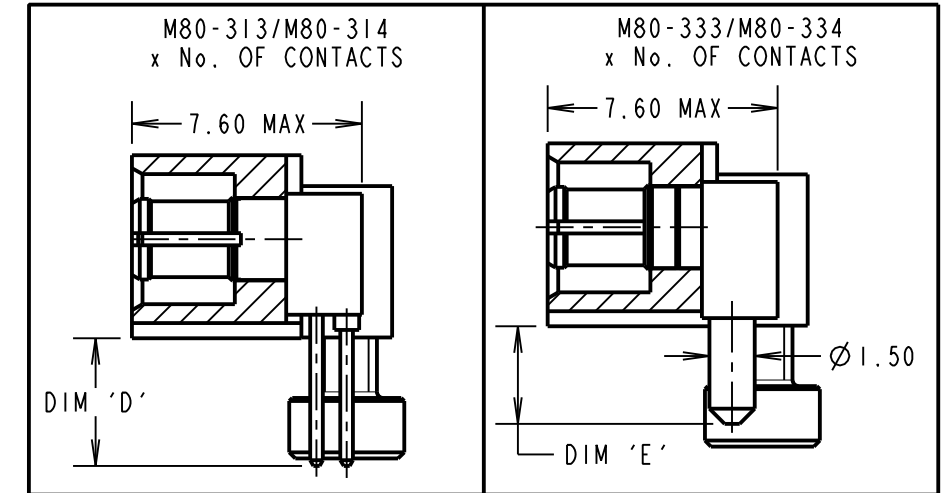
ENVIRONMENTAL:
TEMPERATURE RANGE:
M80-313/314/333/334/33A = -55°C TO +125°C
M80-PM3/PM4 = -55°C TO +150°C

PACKING:
TUBE
FOR COMPLETE SPECIFICATION SEE COMPONENT SPECIFICATION C005XX (LATEST ISSUE)

HORIZONTAL PC TAIL & SMT CONTACTS ONLY



SPECIAL CONTACTS HIDDEN FOR ILLUSTRATION ONLY
SEE ORDER CODE FOR PART No. TO BE ASSEMBLED

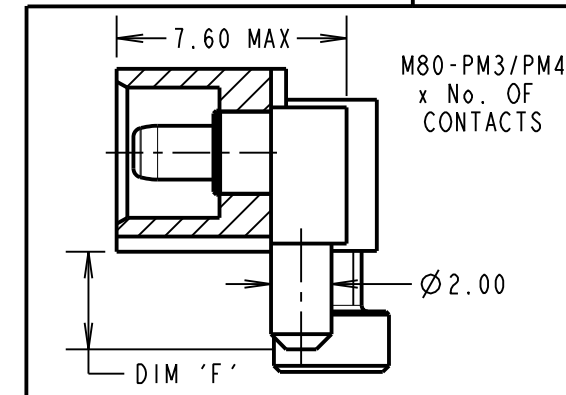
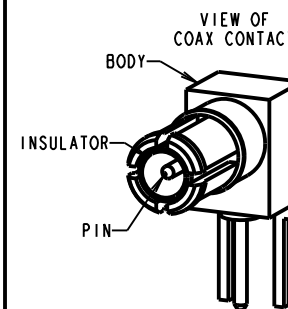


ORDER CODE: (PC TAIL CONTACTS ONLY)
M80-500000M7-XX-XXX-00-000

TOTAL No. OF CONTACTS
02 TO 12

SPECIAL CONTACTS

313 = COAX CONTACT 3.0mm PC TAIL M80-313
314 = COAX CONTACT 4.5mm PC TAIL M80-314
333 = 20A POWER CONTACT 3.5mm HORZ' PC TAIL M80-333
334 = 20A POWER CONTACT 5.0mm HORZ' PC TAIL M80-334
PM3 = 40A POWER CONTACT 3.5mm HORZ' PC TAIL M80-PM3
PM4 = 40A POWER CONTACT 5.0mm HORZ' PC TAIL M80-PM4
33A = POWER CONTACT HORZ' SMT M80-33A



MGP	6	09.12.19	21540
NAME	ISS.	DATE	C/NOTE
APPROVED: MGP			
CHECKED: MR			
DRAWN: S.MCCULLAGH			
CUSTOMER REF.:			
ASSEMBLY DRG:			

DIMENSION	CALCULATION
DIM 'A'	4 x No. OF CONTACTS - 4.00
DIM 'B'	4 x No. OF CONTACTS + 5.00
DIM 'C'	4 x No. OF CONTACTS + 10.0
DIM 'D'	M80-313 = 3.0mm, M80-314 = 4.5mm
DIM 'E'	M80-333 = 3.5mm, M80-334 = 5.0mm
DIM 'F'	M80-PM3 = 3.5mm, M80-PM4 = 5.0mm

EXAMPLE 2: CONNECTOR WITH 10 POWER CONTACTS,
M80-500000M7-10-333-00-000

DIM 'A' = 36.00mm, DIM 'B' = 45.00mm, DIM 'C' = 50.0mm
DIM 'E' = 3.5mm

HARWIN

www.harwin.com
technical@harwin.com

THIS DRAWING AND ANY INFORMATION OR DESCRIPTIVE MATTER SET OUT HEREON ARE CONFIDENTIAL AND COPYRIGHT PROPERTY OF THE HARWIN GROUP AND MUST NOT BE DISCLOSED, LOANED, COPIED OR USED FOR MANUFACTURING, TENDERING OR FOR ANY OTHER PURPOSE WITHOUT THEIR WRITTEN PERMISSION.

TOLERANCES
X. = $\pm 1\text{mm}$
X.X = $\pm 0.50\text{mm}$
X.XX = $\pm 0.20\text{mm}$
X.XXX = $\pm 0.01\text{mm}$
ANGLES = $\pm 5^\circ$
UNLESS STATED

MATERIAL:
SEE ABOVE
FINISH: SEE ABOVE
S/AREA: mm²

TITLE: DATAMATE MIX-TEK
MALE ASSY WITH
HEX SOCKET BOARDMOUNT J/SCREW

DRAWING NUMBER:
M80-500000M7-XX-XXX-00-000 SHT 6 OF 6



Компания «ЭлектроПласт» предлагает заключение долгосрочных отношений при поставках импортных электронных компонентов на взаимовыгодных условиях!

Наши преимущества:

- Оперативные поставки широкого спектра электронных компонентов отечественного и импортного производства напрямую от производителей и с крупнейших мировых складов;
- Поставка более 17-ти миллионов наименований электронных компонентов;
- Поставка сложных, дефицитных, либо снятых с производства позиций;
- Оперативные сроки поставки под заказ (от 5 рабочих дней);
- Экспресс доставка в любую точку России;
- Техническая поддержка проекта, помощь в подборе аналогов, поставка прототипов;
- Система менеджмента качества сертифицирована по Международному стандарту ISO 9001;
- Лицензия ФСБ на осуществление работ с использованием сведений, составляющих государственную тайну;
- Поставка специализированных компонентов (Xilinx, Altera, Analog Devices, Intersil, Interpoint, Microsemi, Aeroflex, Peregrine, Syfer, Eurofarad, Texas Instrument, Miteq, Cobham, E2V, MA-COM, Hittite, Mini-Circuits, General Dynamics и др.);

Помимо этого, одним из направлений компании «ЭлектроПласт» является направление «Источники питания». Мы предлагаем Вам помощь Конструкторского отдела:

- Подбор оптимального решения, техническое обоснование при выборе компонента;
- Подбор аналогов;
- Консультации по применению компонента;
- Поставка образцов и прототипов;
- Техническая поддержка проекта;
- Защита от снятия компонента с производства.



Как с нами связаться

Телефон: 8 (812) 309 58 32 (многоканальный)

Факс: 8 (812) 320-02-42

Электронная почта: org@eplast1.ru

Адрес: 198099, г. Санкт-Петербург, ул. Калинина, дом 2, корпус 4, литера А.