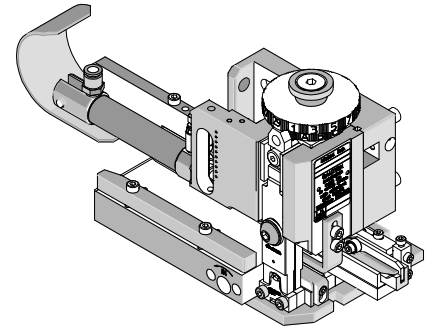




## Mini-Mac Applicator Specification Sheet Air Feed-Mylar Tape Order No. 63885-8500



### FEATURES

- Directly adapts to most crimp presses and automatic wire processors
- Applicator designed to industry standard mounting and shut height of 135.80mm (5.346")
- Conductor and insulation rings allow quick adjustment for conductor and insulation crimp height change
- Quick set-up time; plus the crimp height, track and feed adjustments can be set without removing the applicator from the crimp press

### SCOPE

Products: VibraKrimp™ Quick Disconnect Terminals 18-22 AWG.

#### Testing

##### Mechanical

The tensile test, or pull test, is a means of evaluating the mechanical properties of the crimped connections. The following chart shows the UL and government specifications (MIL-T-7928) for various wire sizes. The tensile strength is shown in pounds. It indicates the minimum acceptable force to break or separate the terminal from the conductor.

Color Code	Wire Size (AWG)	*UL - 310
Red	22	8
Red	20	13
Red	18	20

\*UL - 310 - Quick Disconnects, Flag and Couplers

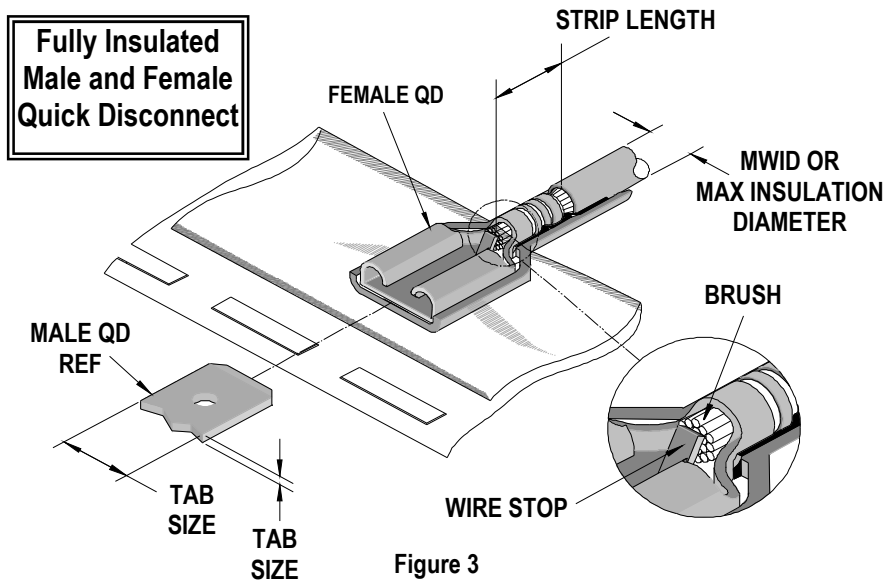
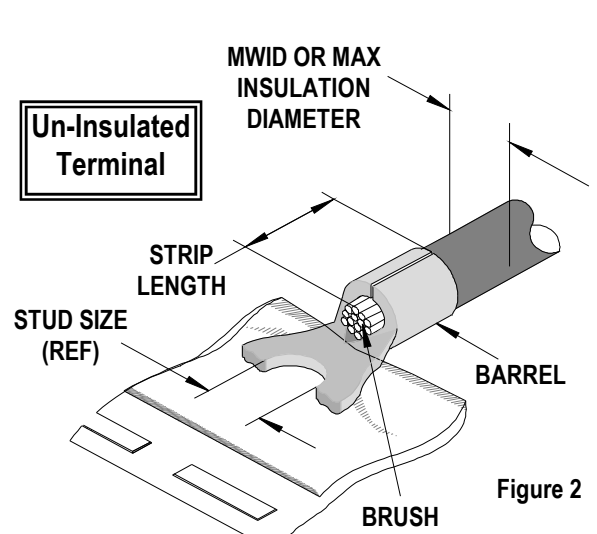
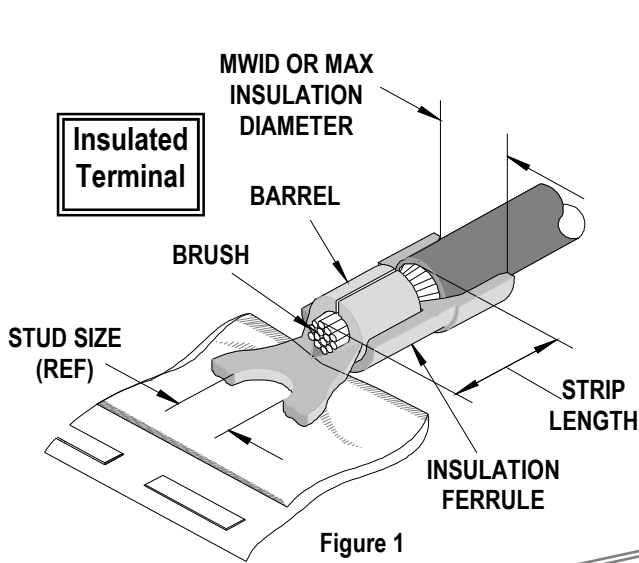
### Product List

The following is a partial list of the product order numbers and their specifications that this tool is designed to run. Updates to this list are available on [www.molex.com](http://www.molex.com)

Wire Size: 18 - 22 AWG 0.80 - 0.35 m <sup>2</sup>					
Terminal Order No.	Terminal Eng No. (REF)	Wire Strip Length		Insulation Diameter Maximum	
		In	mm	In	mm
19018-0003	AA-4173-032T	.218	5.56	.125	3.20
19018-0004	AA-4173T	.218	5.56	.125	3.20
19018-0006	AA-4176T	.218	5.56	.125	3.20
19018-0009	AA-4180-032T	.218	5.56	.125	3.20
19018-0010	AA-4180T	.218	5.56	.125	3.20

## DEFINITION OF TERMS

The following illustrations are a generic terminal representation and not an exact image of any terminal listed in the scope.



## Tool Calibration

To recalibrate this applicator, make sure the power is completely shut off on the press.

The Mini-Mac applicator must be properly installed in the press.

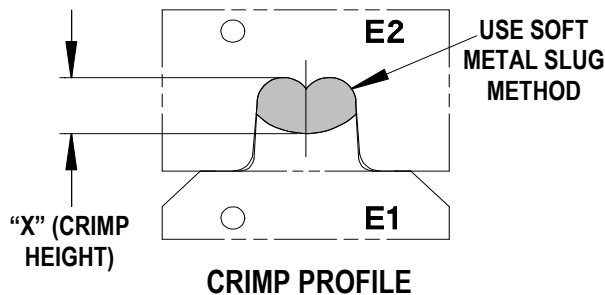
Crimping dies must be properly installed in the Mini-Mac applicator.

The recommended method of measuring the crimp height of the conductor dies is the soft metal slug method, (See Figure 4).

1. The slug must have a diameter 0.51mm (.020") larger than the "X" No Go dimension before crimping.
2. Place the soft metal slug (solder) into the nest of the bottom die and crimp (by hand cycling the press) similar to a terminal. The crimp height can be measured with a blade type micrometer or dial caliper, (Dimension "X").
3. Adjustment of the crimp height can be accomplished by indexing the conductor cam. The letter "A" gives the loosest position and "K" gives the tightest position. A total adjustment of 0.50mm (.020") can be achieved by adjusting the conductor cam.

Note: If the crimp height is too tight on the setting "A", check the shut height of the press. See the Industrial Mini-Mac Applicator Manual Section 2.1 for adjustments.

## CRIMP SPECIFICATIONS



Use soft metal slug (solder) method to measure the "X" dimension. Verify tooling crimp height calibration by referring to the Go/No Go dimensions shown in the chart below.

Figure 4

Wire Range		"X" Dimension Conductor Crimp						Crimp Inspection Marking
		Mean		Go		No Go		
AWG	mm <sup>2</sup>	In	mm	In	mm	In	mm	
18 - 22	0.80 - 0.35	.052	1.32	.049	1.24	.059	1.50	N/A

**PARTS LIST**

<b>Mini-Mac Applicator 63885-8500</b>				
<b>Item</b>	<b>Order No</b>	<b>Engineering No.</b>	<b>Description</b>	<b>Quantity</b>
<b>Perishable Tooling</b>				
	63885-8570	63885-8570	Tool Kit (All "Y" Items)	REF
1	63465-0067	63465-0067	Conductor Punch	1 Y
2	63464-0058	63464-0058	Conductor Anvil	1 Y
3	63463-0043	63463-0043	Insulation Punch	1 Y
4	63462-0046	63462-0046	Insulation Anvil	1 Y
<b>Other Components (Ref. 850050)</b>				
5	63443-0021	63443-0021	Lower Tooling Key	1
6	63466-0912	63466-0912	Anvil Mount	1
7	63466-0913	63466-0913	Terminal Support	1
8	63466-0921	63466-0921	Terminal Stripping Blade	1
9	63600-1290	63600-1290	Washer	1
10	63890-0866	63890-0866	Collar-6.4mm Long	1
11	63890-0867	63890-0867	Collar-7.7mm Long	1
<b>Frame</b>				
12	63801-3301	63801-3301	Air Feed Applicator Frame Head	REF
13	63801-3281	63801-3281	Base	REF
14	63801-5850	63801-5850	Track Assembly	REF
15	63801-3390	63801-3390	Air Kit	REF
<b>Hardware</b>				
16	N/A	N/A	M3 by 12 Long SHCS	1**
17	N/A	N/A	M4 by 10 Lg SHCS	2**
18	N/A	N/A	M4 by 16 Long SHCS	1**
19	N/A	N/A	M4 by 45 Long SHCS	1**
20	N/A	N/A	M8 by 30 Long BHCS	1**
21	N/A	N/A	3mm by 6 Long Roll Pin	1**
** Available from an industrial supply company such as MSC (1-800-645-7270).				

**Note:** Crimp profiles used in 63885-8500 are equivalent to 19027-0046 / ATP-AA-475 (UL file number E32244).

# Assembly Drawing

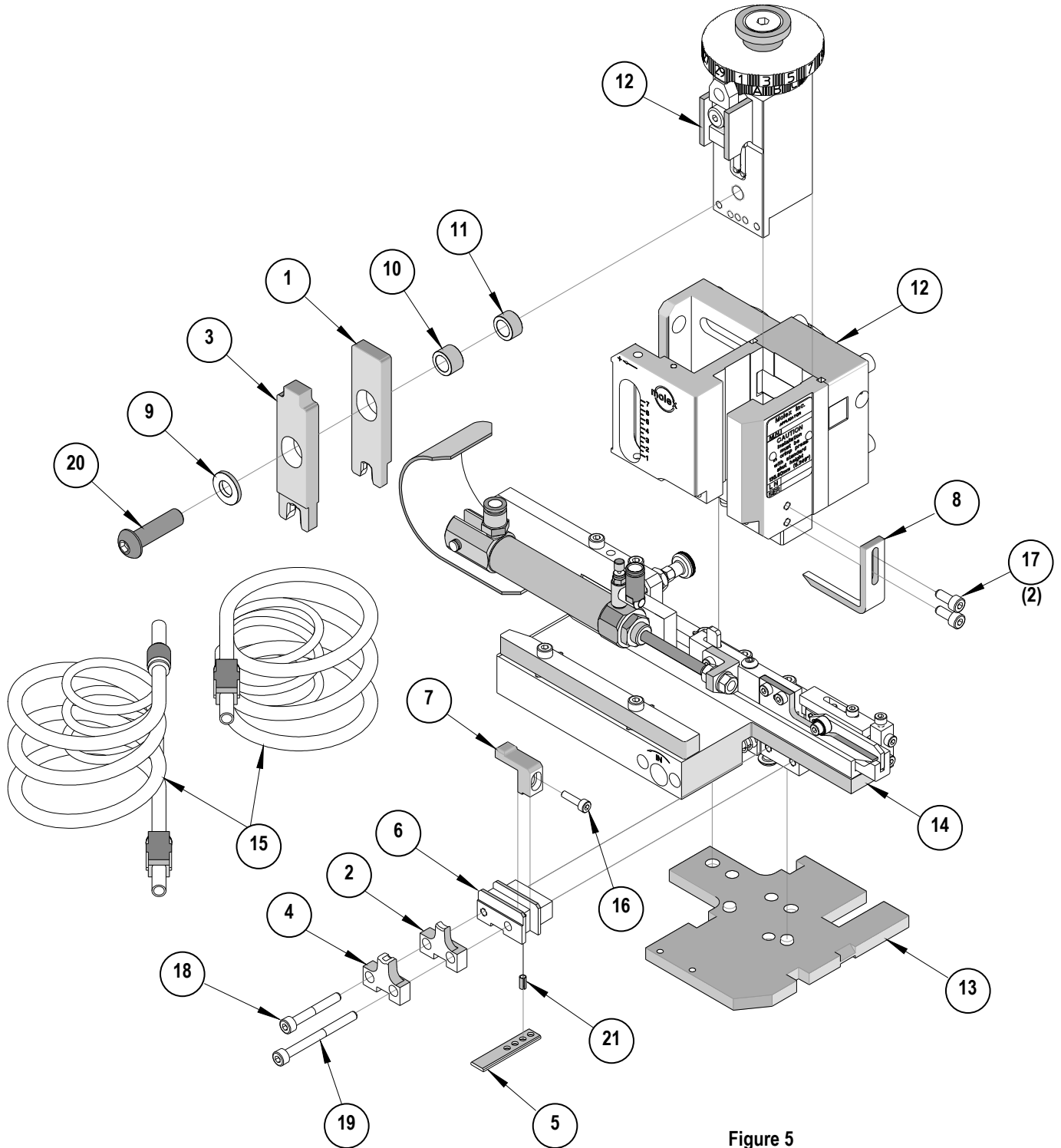


Figure 5

## NOTES

1. Molex recommends an extra perishable tooling kit be maintained at your facility.
2. Verify tooling alignment by manually cycling the press with applicator before crimping under power. Check that all screws are tight.
3. Slugs, terminals, dirt, and oil should be kept clear of work area.
4. Wear safety glasses at all times.
5. For recommended maintenance refer to the Mini-Mac Applicator Manual (Document no. 63880-0000).

**CAUTION:** This applicator should only be used in a press with a shut height of 135.80 mm (5.346"). Tooling damage could result at a lower setting.

**CAUTION:** To prevent injury, never operate this applicator without the guards supplied with the press or wire-processing machine in place. Reference the press or wire processing manufacturer's instruction manual.

**CAUTION:** Molex crimp specifications are valid only when used with Molex terminals, applicators and tooling.

## Contact Information

For more information on Molex application tooling please contact Molex at 1-800-786-6539.

Americas Headquarters  
Lisle, Illinois 60532 U.S.A.  
1-800-78MOLEX  
amerinfo@molex.com

Far East North Headquarters  
Yamato, Kanagawa, Japan  
81-462-65-2324  
feninfo@molex.com

Far East South Headquarters  
Jurong, Singapore  
65-6-268-6868  
fesinfo@molex.com

European Headquarters  
Munich, Germany  
49-89-413092-0  
eurinfo@molex.com

Corporate Headquarters  
2222 Wellington Ct.  
Lisle, IL 60532 U.S.A.  
630-969-4550  
Fax: 630-969-1352

Visit our Web site at <http://www.molex.com>



Компания «ЭлектроПласт» предлагает заключение долгосрочных отношений при поставках импортных электронных компонентов на взаимовыгодных условиях!

Наши преимущества:

- Оперативные поставки широкого спектра электронных компонентов отечественного и импортного производства напрямую от производителей и с крупнейших мировых складов;
- Поставка более 17-ти миллионов наименований электронных компонентов;
- Поставка сложных, дефицитных, либо снятых с производства позиций;
- Оперативные сроки поставки под заказ (от 5 рабочих дней);
- Экспресс доставка в любую точку России;
- Техническая поддержка проекта, помощь в подборе аналогов, поставка прототипов;
- Система менеджмента качества сертифицирована по Международному стандарту ISO 9001;
- Лицензия ФСБ на осуществление работ с использованием сведений, составляющих государственную тайну;
- Поставка специализированных компонентов (Xilinx, Altera, Analog Devices, Intersil, Interpoint, Microsemi, Aeroflex, Peregrine, Syfer, Eurofarad, Texas Instrument, Miteq, Cobham, E2V, MA-COM, Hittite, Mini-Circuits, General Dynamics и др.);

Помимо этого, одним из направлений компании «ЭлектроПласт» является направление «Источники питания». Мы предлагаем Вам помощь Конструкторского отдела:

- Подбор оптимального решения, техническое обоснование при выборе компонента;
- Подбор аналогов;
- Консультации по применению компонента;
- Поставка образцов и прототипов;
- Техническая поддержка проекта;
- Защита от снятия компонента с производства.



#### Как с нами связаться

**Телефон:** 8 (812) 309 58 32 (многоканальный)

**Факс:** 8 (812) 320-02-42

**Электронная почта:** [org@eplast1.ru](mailto:org@eplast1.ru)

**Адрес:** 198099, г. Санкт-Петербург, ул. Калинина, дом 2, корпус 4, литера А.