



# Low-Voltage, Dual SPDT, Audio Clickless Switches with Negative Rail Capability

## General Description

The MAX4762–MAX4764/MAX4764A/MAX4765 dual SPDT (single-pole/double-throw) switches feature negative signal capability that allows signals below ground to pass through without distortion. These analog switches operate from a single +1.8V to +5.5V supply and have low 0.6Ω on-resistance, making them ideal for switching audio signals.

The MAX4763/MAX4765 include a comparator that can be used for headphone detection or a mute/send key function. The MAX4764/MAX4764A/MAX4765 have an internal shunt switch to automatically discharge any capacitance at the NO and NC connection points. This reduces click-and-pop sounds that occur when switching audio signals between precharged points.

These SPDT switches are available in space-saving μMAX®, TDFN, thin QFN, and UCSP™ packages and operate over the -40°C to +85°C extended temperature range.

## Applications

Cell Phones  
PDAs and Handheld Devices  
Notebook Computers  
MP3 Players

μMAX is a registered trademark and UCSP is a trademark of Maxim Integrated Products, Inc.

## Features

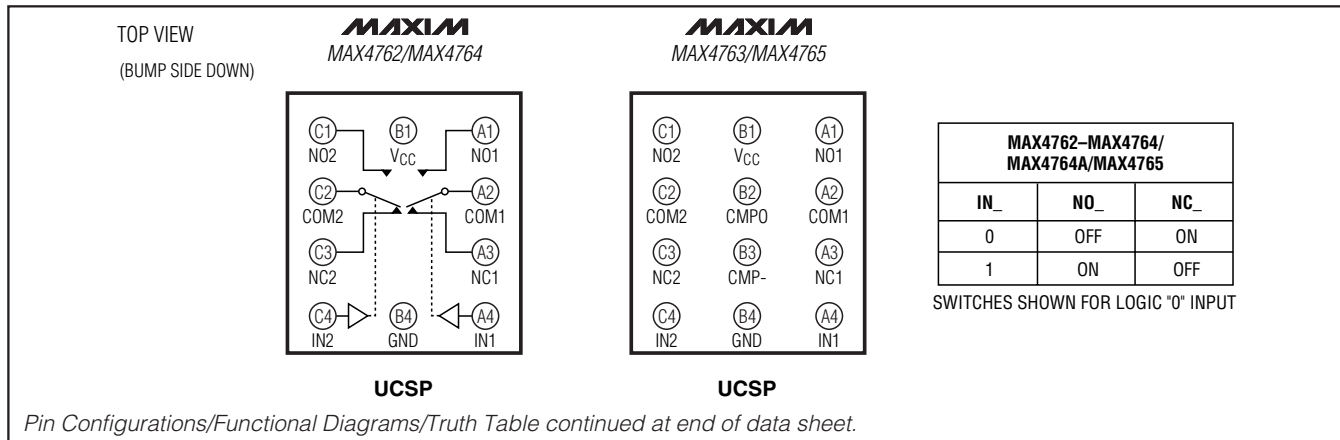
- ◆ Distortion-Free Negative Signal Throughput Down to  $V_{CC} - 5.5V$
- ◆ Comparator for Headphone or Mute Detection (MAX4763/MAX4765)
- ◆ Internal Shunt Resistor Reduces Click/Pop (MAX4764/MAX4764A/MAX4765)
- ◆ Low On-Resistance ( $R_{ON}$ )  
0.6Ω at +2.7V Supply
- ◆ 0.25Ω On-Resistance Flatness
- ◆ 0.05Ω On-Resistance Matching
- ◆ +1.8V to +5.5V Supply Voltage
- ◆ -70dB Crosstalk (100kHz)
- ◆ -65dB Off-Isolation (100kHz)
- ◆ 0.01% Total Harmonic Distortion
- ◆ Available in μMAX, TDFN, Thin QFN, and UCSP Packages

## Ordering Information

| PART         | TEMP RANGE     | PIN-PACKAGE | TOP MARK |
|--------------|----------------|-------------|----------|
| MAX4762ETB   | -40°C to +85°C | 10 TDFN     | ACG      |
| MAX4762EUB   | -40°C to +85°C | 10 μMAX     | —        |
| MAX4762EBC-T | -40°C to +85°C | 12 UCSP-12  | ABU      |

Ordering Information continued at end of data sheet.  
Selector Guide appears at end of data sheet.

## Pin Configurations/Functional Diagrams/Truth Table



MAX4762–MAX4764/MAX4764A/MAX4765

# Low-Voltage, Dual SPDT, Audio Clickless Switches with Negative Rail Capability

## ABSOLUTE MAXIMUM RATINGS

(All voltages referenced to GND.)

|  |  |
|--|--|
| V <sub>CC</sub> , I <sub>N</sub> _, CMP_                           | -0.3V to +6.0V                                     |
| COM_, NO_, NC_   | (V <sub>CC</sub> - 6V) to (V <sub>CC</sub> + 0.3V) |
| CMPO   | -0.3V to (V <sub>CC</sub> + 0.3V)                  |
| Closed-Switch Continuous Current COM_, NO_, NC_                    | ±150mA   |
| Open-Switch Continuous Current NO_, NC_ (MAX4764/MAX4764A/MAX4765) | ±30mA  |
| Peak Current COM_, NO_, NC_ (pulsed at 1ms, 50% duty cycle)        | ±300mA   |
| Peak Current COM_, NO_, NC_ (pulsed at 1ms, 10% duty cycle)        | ±400mA   |
| Continuous Power Dissipation (T <sub>A</sub> = +70°C)              |  |
| 10-Pin TDFN (derate 24.4mW/°C above +70°C)                         | 1951mW   |
| 10-Pin μMAX (derate 5.6mW/°C above +70°C)                          | 444mW  |

|  |                 |
|--|-----------------|
| 12-Bump UCSP (MAX4762/MAX4764)                 |                 |
| (derate 5.6mW/°C above +70°C)                  | 449mW           |
| 12-Bump UCSP (MAX4763/MAX4765)                 |                 |
| (derate 6.5mW/°C above +70°C)                  | 519mW           |
| 12-Pin Thin QFN (derate 16.9mW/°C above +70°C) | 1349mW          |
| ESD Method 3015.7                              | ±2kV            |
| Operating Temperature Range                    | -40°C to +85°C  |
| Junction Temperature                           | +150°C          |
| Storage Temperature Range                      | -65°C to +150°C |
| Lead Temperature (soldering, 10s)              | +300°C          |
| Bump Temperature (soldering)                   |                 |
| Infrared (15s)                                 | +220°C          |
| Vapor Phase (60s)                              | +215°C          |

Stresses beyond those listed under "Absolute Maximum Ratings" may cause permanent damage to the device. These are stress ratings only, and functional operation of the device at these or any other conditions beyond those indicated in the operational sections of the specifications is not implied. Exposure to absolute maximum rating conditions for extended periods may affect device reliability.

## ELECTRICAL CHARACTERISTICS

(V<sub>CC</sub> = +2.7V to +5.5V, T<sub>A</sub> = -40°C to +85°C, unless otherwise noted. Typical values are at V<sub>CC</sub> = +3.0V, T<sub>A</sub> = +25°C, unless otherwise noted.) (Note 1)

| PARAMETER  | SYMBOL   | CONDITIONS   | MIN   | TYP  | MAX             | UNITS |
|--|--|--|---|------|-----------------|-------|
| <b>ANALOG SWITCH</b>                                     |  |  |   |      |                 |       |
| Analog Signal Range (Note 2)                             | V <sub>NO</sub> _, V <sub>NC</sub> _, V <sub>COM</sub> _ |  | V <sub>CC</sub> - 5.5                                 |      | V <sub>CC</sub> | V     |
| On-Resistance (Notes 3 and 4)                            | R <sub>ON(NC)</sub> , R <sub>ON(NO)</sub>                | V <sub>CC</sub> = 2.7V; V <sub>NC</sub> _ or V <sub>NO</sub> _ = V <sub>CC</sub> - 5.5V, -1V, 0V, 1V, 2V, V <sub>CC</sub> ; I <sub>COM</sub> _ = 100mA       |   | 0.6  | 0.85            | Ω     |
|  |  | T <sub>A</sub> = +25°C   |   |      |                 |       |
|  |  | T <sub>A</sub> = T <sub>MIN</sub> to T <sub>MAX</sub>  |   |      | 0.95            |       |
| On-Resistance Match Between Channels (Notes 3, 4, and 5) | ΔR <sub>ON</sub>   | V <sub>CC</sub> = 2.7V, V <sub>NC</sub> _ or V <sub>NO</sub> _ = 0V, I <sub>COM</sub> _ = 100mA  |   | 0.05 | 0.1             | Ω     |
|  |  | T <sub>A</sub> = +25°C   |   |      |                 |       |
|  |  | T <sub>A</sub> = T <sub>MIN</sub> to T <sub>MAX</sub>  |   |      | 0.15            |       |
| On-Resistance Flatness (Notes 4 and 6)                   | R <sub>FLAT(NC)</sub>                                    | V <sub>CC</sub> = 2.7V; V <sub>NC</sub> _ or V <sub>NC</sub> = -1V, 0V, 1V, 2V, V <sub>CC</sub> ; I <sub>COM</sub> _ = 100mA                                 |   | 0.25 | 0.4             | Ω     |
|  |  | T <sub>A</sub> = +25°C   |   |      |                 |       |
|  |  | T <sub>A</sub> = T <sub>MIN</sub> to T <sub>MAX</sub>  |   |      | 0.45            |       |
| Shunt Switch Resistance                                  | R <sub>SH</sub>  | MAX4764/MAX4764A/MAX4765 only, I <sub>NO</sub> _ or I <sub>NC</sub> _ = 10mA, V <sub>CC</sub> = 2.7V   |   | 25   | 50              | Ω     |
| NO_, NC_ Off-Leakage Current (Notes 8 and 9)             | I <sub>NO(OFF)</sub> , I <sub>NC(OFF)</sub>              | MAX4762/MAX4763 only (Note 7), V <sub>CC</sub> = 2.7V, switch open; V <sub>NC</sub> _ or V <sub>NO</sub> _ = -2.5V, +2.5V; V <sub>COM</sub> _ = +2.5V, -2.5V | T <sub>A</sub> = +25°C                                | -2   | +2              | nA    |
|  |  |  | T <sub>A</sub> = T <sub>MIN</sub> to T <sub>MAX</sub> | -10  | +10             |       |
| COM_ On-Leakage Current (Notes 8 and 9)                  | I <sub>COM(ON)</sub>                                     | V <sub>CC</sub> = 2.7V, switch closed; V <sub>NC</sub> _ or V <sub>NO</sub> _ = -2.5V, +2.5V, or floating; V <sub>COM</sub> _ = -2.5V, +2.5V, or floating    | T <sub>A</sub> = +25°C                                | -6   | +6              | nA    |
|  |  |  | T <sub>A</sub> = T <sub>MIN</sub> to T <sub>MAX</sub> | -50  | +50             |       |

# Low-Voltage, Dual SPDT, Audio Clickless Switches with Negative Rail Capability

## ELECTRICAL CHARACTERISTICS (continued)

( $V_{CC} = +2.7V$  to  $+5.5V$ ,  $T_A = -40^{\circ}C$  to  $+85^{\circ}C$ , unless otherwise noted. Typical values are at  $V_{CC} = +3.0V$ ,  $T_A = +25^{\circ}C$ , unless otherwise noted.) (Note 1)

| PARAMETER                           | SYMBOL                         | CONDITIONS   | MIN                                     | TYP          | MAX | UNITS   |
|-------------------------------------|--------------------------------|--|---|--------------|-----|---------|
| <b>DYNAMIC CHARACTERISTICS</b>      |                                |  |   |              |     |         |
| Turn-On Time                        | $t_{ON}$                       | $V_{CC} = 2.7V$ , $V_{NO} = 1.5V$ ; for $NO_{-}$ , $V_{IN_{-}} = 0V$ to $V_{CC}$ ; for $NC_{-}$ , $V_{IN_{-}} = V_{CC}$ to $0V$ ; $R_L = 300\Omega$ , $C_L = 35pF$ , Figure 2    | $T_A = +25^{\circ}C$                    | 25           | 80  | ns      |
|                                     |                                |  | $T_A = T_{MIN}$ to $T_{MAX}$            |              | 80  |         |
|                                     |                                |  | $T_A = T_{MIN}$ to $T_{MAX}$ (MAX4764A) | 225          | 500 |         |
| Turn-Off Time                       | $t_{OFF}$                      | $V_{CC} = 2.7V$ , $V_{NC} = 1.5V$ ; for $NO_{-}$ , $V_{IN_{-}} = V_{CC}$ to $0V$ ; for $NC_{-}$ , $V_{IN_{-}} = 0V$ to $V_{CC}$ ; $R_L = 300\Omega$ , $C_L = 35pF$ , Figure 2    | $T_A = +25^{\circ}C$                    | 20           | 70  | ns      |
|                                     |                                |  | $T_A = T_{MIN}$ to $T_{MAX}$            |              | 70  |         |
|                                     |                                |  | $T_A = T_{MIN}$ to $T_{MAX}$ (MAX4764A) | 225          | 500 |         |
| Break-Before-Make Time Delay        | $t_D$                          | $V_{CC} = 2.7V$ , $V_{N_{-}} = 1.5V$ , for $NO_{-}$ , $V_{IN_{-}} = V_{CC}$ to $0V$ ; for $NC_{-}$ , $V_{IN_{-}} = 0V$ to $V_{CC}$ ; $R_L = 300\Omega$ , $C_L = 35pF$ , Figure 3 | $T_A = +25^{\circ}C$                    | 1            | 7   | ns      |
| Charge Injection                    | Q                              | $V_{COM_{-}} = 0V$ , $C_L = 1.0nF$ , Figure 4  |   | 150          |     | pC      |
| Off-Isolation (Note 10)             | $V_{ISO}$                      | $f = 100kHz$ , $V_{COM_{-}} = 1V_{RMS}$ , $R_L = 50\Omega$ , $C_L = 5pF$ , Figure 5  |   | -65          |     | dB      |
| Crosstalk                           | $V_{CT}$                       | $f = 100kHz$ , $V_{COM_{-}} = 1V_{RMS}$ , $R_L = 50\Omega$ , $C_L = 5pF$ , Figure 5  |   | -70          |     | dB      |
| Power-Supply Rejection Ratio        | PSRR                           | $f = 10kHz$ , $V_{COM_{-}} = 1V_{RMS}$ , $R_L = 50\Omega$ , $C_L = 5pF$  |   | 60           |     | dB      |
| On-Channel -3dB Bandwidth           | BW                             | Signal = 0dBm, $R_L = 50\Omega$ , $C_L = 5pF$ , Figure 5   |   | 27           |     | MHz     |
| Total Harmonic Distortion           | THD                            | $f = 20Hz$ to $20kHz$ , $V_{COM_{-}} = 0.5V_{P-P}$ , DC Bias = 0, $R_L = 32\Omega$   |   | 0.01         |     | %       |
| $NO_{-}$ , $NC_{-}$ Off-Capacitance | $C_{NO(OFF)}$<br>$C_{NC(OFF)}$ | $f = 1MHz$ , $V_{COM_{-}} = 0.5V_{P-P}$ , DC Bias = 0, Figure 6  |   | 50           |     | pF      |
| COM On-Capacitance                  | $C_{COM(ON)}$                  | $f = 1MHz$ , $V_{COM_{-}} = 0.5V_{P-P}$ , DC Bias = 0, Figure 6  |   | 200          |     | pF      |
| <b>DIGITAL I/O (IN<sub>-</sub>)</b> |                                |  |   |              |     |         |
| Input-Logic High Voltage            | $V_{IH}$                       | $V_{CC} = 2.7V$ to $3.6V$  |   | 1.4          |     | V       |
|                                     |                                | $V_{CC} = 4.2V$ to $5.5V$  |   | 2.0          |     |         |
|                                     |                                | $V_{CC} = 2.7V$ to $5.5V$ (MAX4764A only)  |   | 1.6          |     |         |
| Input-Logic Low Voltage             | $V_{IL}$                       | $V_{CC} = 2.7V$ to $3.6V$  |   |              | 0.5 | V       |
|                                     |                                | $V_{CC} = 4.2V$ to $5.5V$  |   |              | 0.8 |         |
|                                     |                                | $V_{CC} = 2.7V$ to $5.5V$ (MAX4764A only)  |   |              | 0.5 |         |
| Input Leakage Current               | $I_{IN}$                       | $V_{IN_{-}} = 0V$ or $V_{CC}$  |   | -1           | +1  | $\mu A$ |
| <b>COMPARATOR (MAX4763/MAX4765)</b> |                                |  |   |              |     |         |
| Comparator Threshold                |                                |  |   | $V_{CC} / 3$ |     | V       |

MAX4762-MAX4764/MAX4764A/MAX4765

# Low-Voltage, Dual SPDT, Audio Clickless Switches with Negative Rail Capability

## ELECTRICAL CHARACTERISTICS (continued)

( $V_{CC} = +2.7V$  to  $+5.5V$ ,  $T_A = -40^\circ C$  to  $+85^\circ C$ , unless otherwise noted. Typical values are at  $V_{CC} = +3.0V$ ,  $T_A = +25^\circ C$ , unless otherwise noted.) (Note 1)

| PARAMETER                        | SYMBOL   | CONDITIONS  | MIN                      | TYP  | MAX  | UNITS   |
|----------------------------------|----------|---|--------------------------|------|------|---------|
| Comparator Output High Voltage   |          | $I_{SOURCE} = 1mA$  | $V_{CC} - 0.4V$          |      |      | V       |
| Comparator Output Low Voltage    |          | $I_{SINK} = 1mA$  |                          |      | 0.4V | V       |
| Comparator Input Leakage Current |          | $V_{CMP-} = 0$ to $2.7V$  | -100                     |      | +100 | nA      |
| Comparator Switching Time        |          | $V_{CC} = 2.7V$ , $V_{CMP-} = 0V$ to $V_{CC}$ , from 50% of $V_{CMP-}$ to 50% of $V_{CMPO}$ |                          | 1    | 2    | $\mu s$ |
| <b>POWER SUPPLY</b>              |          |   |                          |      |      |         |
| Power-Supply Range               | $V_{CC}$ |   | 1.8                      |      | 5.5  | V       |
| Supply Current                   | I+       | $V_{CC} = 5.5V$ , $V_{IN-} = 0V$ or $V_{CC}$  | MAX4763/MAX4765          | 5    | 10   | $\mu A$ |
|                                  |          |   | MAX4762/MAX4764/MAX4764A | 0.01 | 1    |         |
|                                  |          | $V_{CC} = 5.5V$ , $V_{IN-} = 1.8V$  | MAX4764A                 | 5    | 10   |         |
|                                  |          | $V_{CC} = 4.2V$ , $V_{IN-} = 1.8V$ (Note 11)  | MAX4764A                 | 2    | 5    |         |

**Note 1:** UCSP and TDFN parts are 100% tested at  $T_A = +25^\circ C$  only, and guaranteed by design over the specified temperature range. Thin QFN parts are 100% tested at  $T_A = +85^\circ C$  only, and guaranteed by design over the specified temperature range.

**Note 2:** Signals on  $COM_+$ ,  $NO_+$ , or  $NC_+$  exceeding  $V_{CC}$  are clamped by internal diodes. Limit forward-diode current to maximum current rating.

**Note 3:** Thin QFN and UCSP are guaranteed by design; not production tested.

**Note 4:**  $I_{COM}$  for UCSP is 10mA.

**Note 5:**  $\Delta R_{ON} = R_{ON(MAX)} - R_{ON(MIN)}$ .

**Note 6:** Flatness is defined as the difference between the maximum and minimum value of on-resistance as measured over the specified analog signal ranges.

**Note 7:** MAX4764/MAX4764A/MAX4765 have an internal shunt switch when in off-state, which determines OFF current.

**Note 8:** Leakage parameters are 100% tested at maximum-rated hot operating temperature and guaranteed by design at  $T_A = +25^\circ C$ .

**Note 9:** UCSP parts are guaranteed by design.

**Note 10:** Off-isolation =  $20\log_{10}(V_{COM} / V_{NO})$ ,  $V_{COM}$  = output,  $V_{NO}$  = input to off switch.

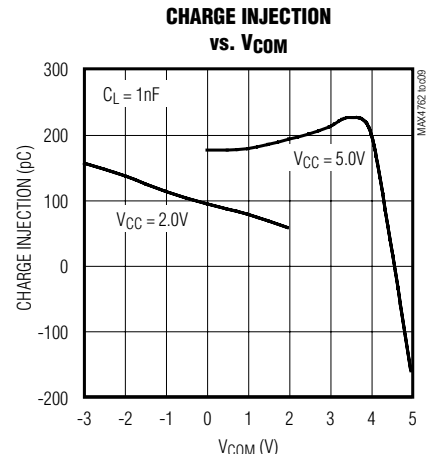
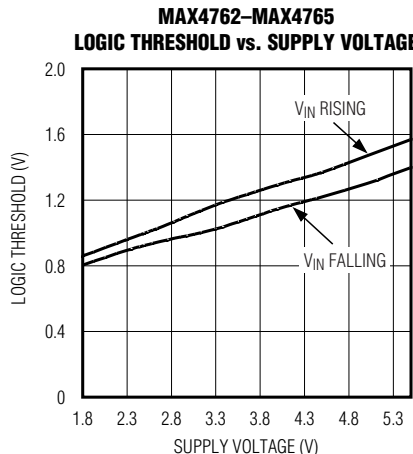
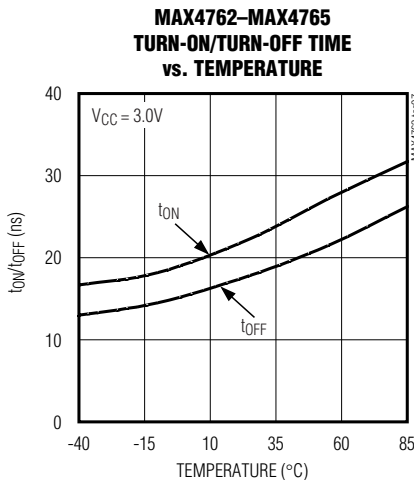
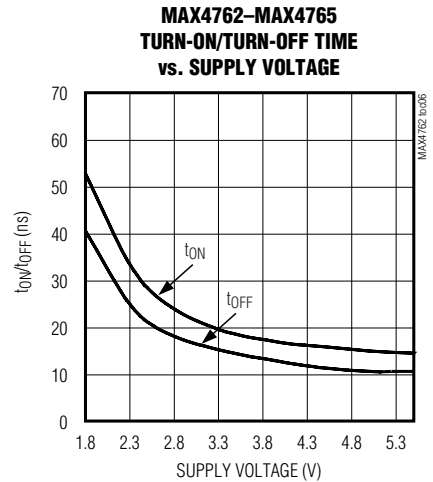
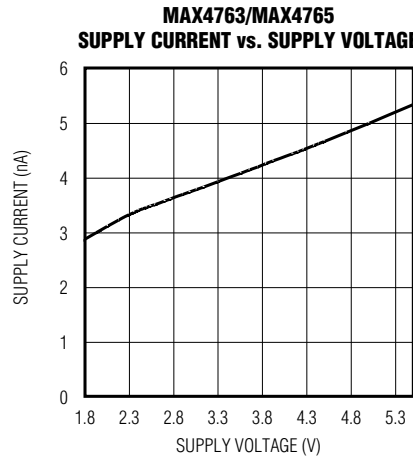
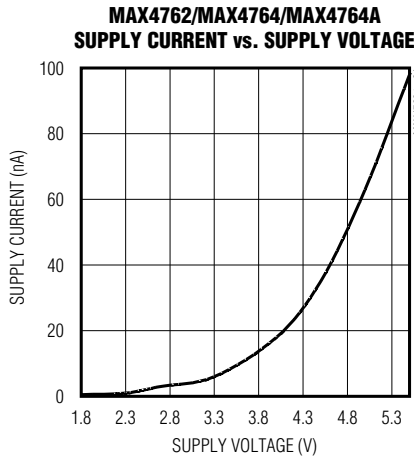
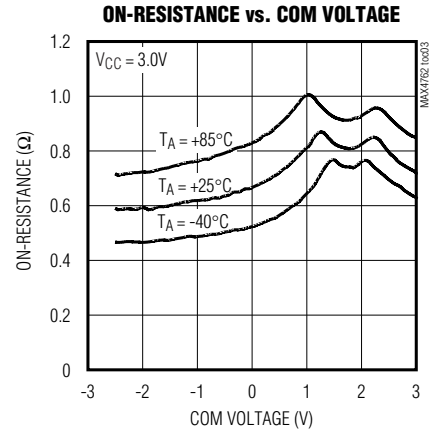
**Note 11:** Guaranteed by design, not production tested.

# Low-Voltage, Dual SPDT, Audio Clickless Switches with Negative Rail Capability

## Typical Operating Characteristics

( $V_{CC} = 3.0V$ ,  $T_A = +25^\circ C$ , unless otherwise noted.)

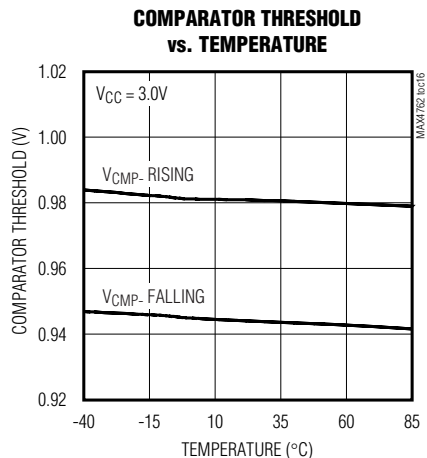
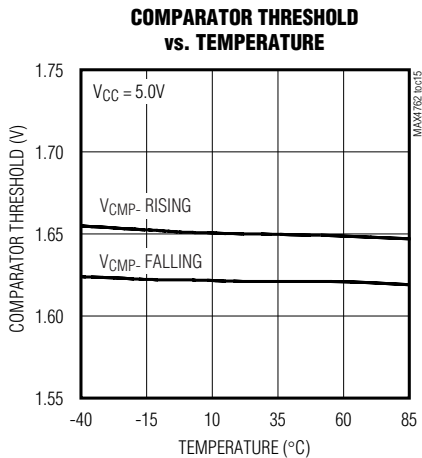
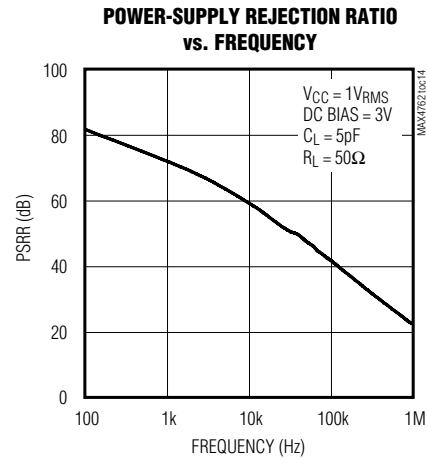
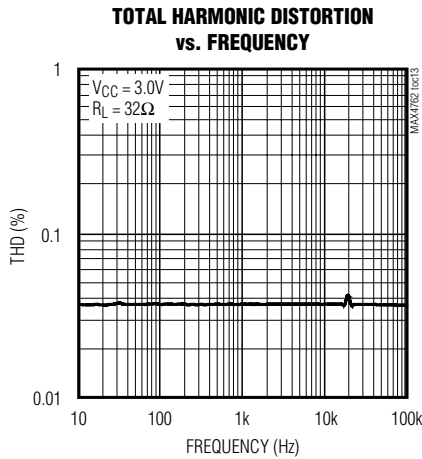
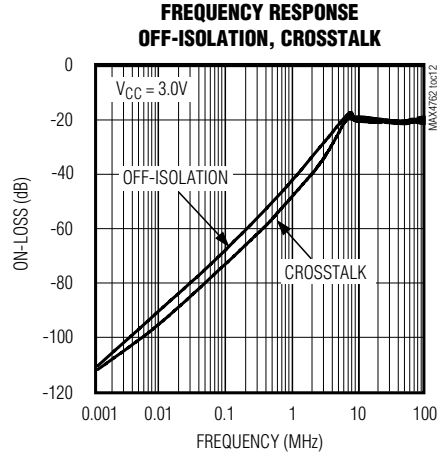
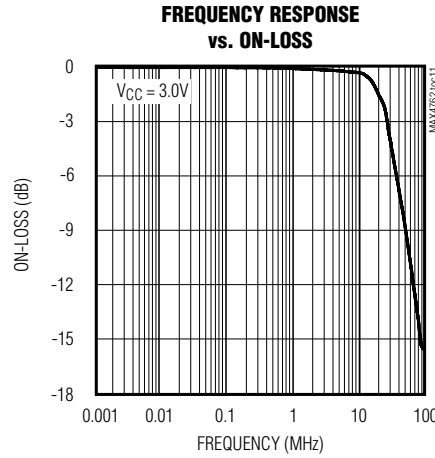
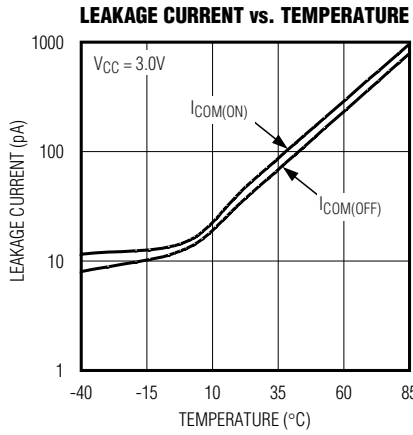
MAX4762-MAX4764/MAX4764A/MAX4765



# Low-Voltage, Dual SPDT, Audio Clickless Switches with Negative Rail Capability

## Typical Operating Characteristics (continued)

( $V_{CC} = 3.0V$ ,  $T_A = +25^\circ C$ , unless otherwise noted.)



# Low-Voltage, Dual SPDT, Audio Clickless Switches with Negative Rail Capability

## Pin Description (MAX4762/MAX4764/MAX4764A)

| PIN                      |         | NAME | FUNCTION  |
|--------------------------|---------|------|---|
| 10- $\mu$ MAX<br>10-TDFN | 12-UCSP |      |   |
| 1                        | B1      | VCC  | Positive-Supply Voltage Input   |
| 2                        | A1      | NO1  | Analog Switch 1—Normally Open Terminal  |
| 3                        | A2      | COM1 | Analog Switch 1—Common Terminal   |
| 4                        | A3      | NC1  | Analog Switch 1—Normally Closed Terminal  |
| 5                        | A4      | IN1  | Digital Control Input for Analog Switch 1. A logic LOW on IN1 connects COM1 to NC1 and a logic HIGH connects COM1 to NO1. |
| 6                        | B4      | GND  | Ground  |
| 7                        | C4      | IN2  | Digital Control Input for Analog Switch 2. A logic LOW on IN2 connects COM2 to NC2 and a logic HIGH connects COM2 to NO2. |
| 8                        | C3      | NC2  | Analog Switch 2—Normally Closed Terminal  |
| 9                        | C2      | COM2 | Analog Switch 2—Common Terminal   |
| 10                       | C1      | NO2  | Analog Switch 2—Normally Open Terminal  |
| EP (TDFN only)           | —       | EP   | Exposed pad for TDFN package. Connect to GND.   |

## Pin Description (MAX4763/MAX4765)

| PIN            |         | NAME | FUNCTION  |
|----------------|---------|------|---|
| 12-Thin<br>QFN | 12-UCSP |      |   |
| 1              | A2      | COM1 | Analog Switch 1—Common Terminal   |
| 2              | A3      | NC1  | Analog Switch 1—Normally Closed Terminal  |
| 3              | A4      | IN1  | Digital Control Input for Analog Switch 1. A logic LOW on IN1 connects COM1 to NC1 and a logic HIGH connects COM1 to NO1. |
| 4              | B3      | CMP- | Comparator Inverting Input  |
| 5              | B4      | GND  | Ground  |
| 6              | C4      | IN2  | Digital Control Input for Analog Switch 2. A logic LOW on IN2 connects COM2 to NC2 and a logic HIGH connects COM2 to NO2. |
| 7              | C3      | NC2  | Analog Switch 2—Normally Closed Terminal  |
| 8              | C2      | COM2 | Analog Switch 2—Common Terminal   |
| 9              | C1      | NO2  | Analog Switch 2—Normally Open Terminal  |
| 10             | B2      | CMPO | Comparator Output   |
| 11             | B1      | VCC  | Positive-Supply Voltage Input   |
| 12             | A1      | NO1  | Analog Switch 1—Normally Open Terminal  |
| EP             | —       | EP   | Exposed pad. Connect to GND.  |

MAX4762-MAX4764/MAX4764A/MAX4765

# Low-Voltage, Dual SPDT, Audio Clickless Switches with Negative Rail Capability

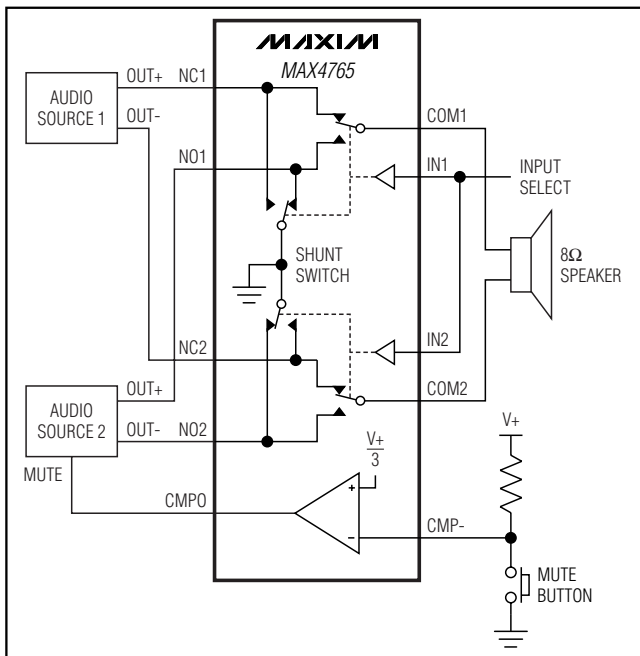


Figure 1. Typical Operating Circuit

## Detailed Description

The MAX4762–MAX4764/MAX4764A/MAX4765 are low on-resistance, low-voltage, dual SPDT analog switches that operate from a +1.8V to +5.5V supply and are fully specified for nominal 3.0V applications. The devices feature a negative signal capability that allows signals below ground to pass through without distortion and have break-before-make switching.

The MAX4763/MAX4765 feature a comparator that can be used for headphone or mute detection. The comparator threshold is internally generated to be approximately 1/3 of  $V_{CC}$ . The MAX4764/MAX4764A/MAX4765 feature an internal shunt switch to discharge any capacitance at the NO and NC connection points. This reduces the click-and-pop sounds that occur when switching audio signals.

## Applications Information

### Digital Control Inputs

The MAX4762–MAX4764/MAX4764A/MAX4765 logic inputs accept up to +5.5V, regardless of supply voltage. For example, with a +3.3V supply,  $IN_{-}$  can be driven low to GND and high to +5.5V allowing for mixing of logic levels in a system. Driving  $IN_{-}$  rail-to-rail minimizes power consumption. For a +1.8V supply voltage, the logic thresholds are 0.5V (low) and 1.4V (high); for a +5V supply voltage, the logic thresholds are 0.8V (low) and 2.0V (high).

### Analog Signal Levels

The on-resistance of the MAX4762–MAX4764/MAX4764A/MAX4765 changes very little for analog input signals across the entire supply voltage range (see the *Typical Operating Characteristics*). The switches are bidirectional, so the  $NO_{-}$ ,  $NC_{-}$ , and  $COM_{-}$  pins can be either inputs or outputs.

The MAX4762–MAX4764/MAX4764A/MAX4765 pass signals as low as  $V_{CC} - 5.5V$ , including signals below ground with minimal distortion.

### Comparator (MAX4763/MAX4765)

The MAX4763/MAX4765 include a comparator that can be used for mute and headphone detection functions. The positive terminal of the comparator is internally set to  $V_{CC} / 3$ . When the negative terminal (CMP-) is below the threshold, the comparator output (CMPO) is a logic high. When CMP- rises above  $V_{CC} / 3$ , CMPO is a logic low.

The comparator threshold of  $V_{CC} / 3$  allows for detection of headphones because headphone audio signals are typically biased to  $V_{CC} / 2$ .

### Shunt Switch (MAX4764/MAX4764A/MAX4765)

The 100Ω shunt switches on the MAX4764/MAX4764A/MAX4765 automatically discharge any capacitance at the  $NC_{-}$  or  $NO_{-}$  terminals when they are unconnected to  $COM_{-}$ . This reduces audible click-and-pop sounds that occur when switching between audio sources.

Audible clicks and pops are caused when a step DC voltage is switched into the speaker. By automatically discharging the side that is not connected, any residual DC voltage is removed, thereby reducing the clicks and pops.

### Power-Supply Sequencing and Overvoltage Protection

**Caution: Do not exceed the absolute maximum ratings since stresses beyond the listed ratings may cause permanent damage to the device.**

Proper power-supply sequencing is recommended for all CMOS devices. Always apply  $V_{CC}$  before applying analog signals, especially if the analog signal is not current-limited.

### UCSP Applications Information

For the latest application details on UCSP construction, dimensions, tape carrier information, printed circuit board techniques, bump-pad layout, and recommended reflow temperature profile, as well as the latest information on reliability testing results, go to the Maxim's website at [www.maxim-ic.com/ucsp](http://www.maxim-ic.com/ucsp) and search for the Application Note, "UCSP—A Wafer-Level Chip-Scale Package."



# Low-Voltage, Dual SPDT, Audio Clickless Switches with Negative Rail Capability

## Test Circuits/Timing Diagrams

MAX4762-MAX4764/MAX4764A/MAX4765



Figure 2. Switching Time

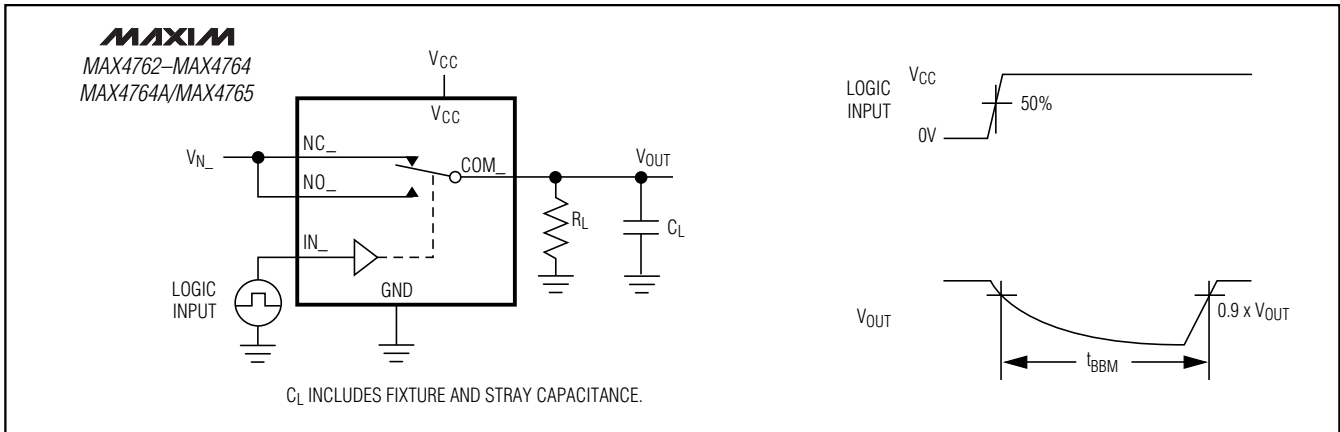


Figure 3. Break-Before-Make Interval



Figure 4. Charge Injection

# Low-Voltage, Dual SPDT, Audio Clickless Switches with Negative Rail Capability

## Test Circuits/Timing Diagrams (continued)

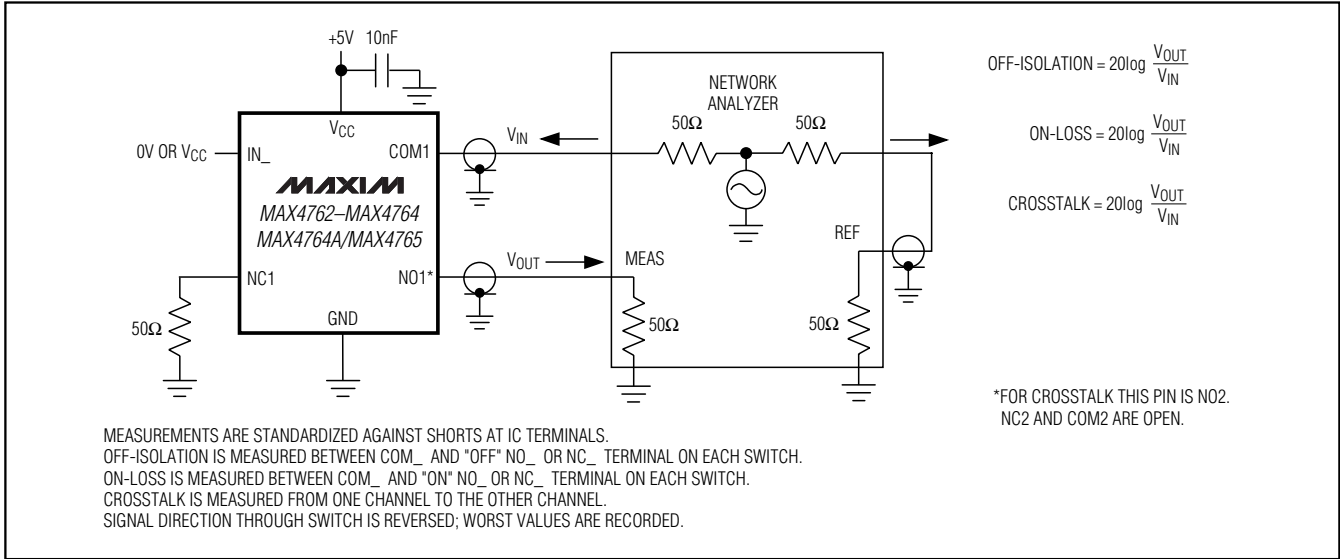


Figure 5. On-Loss, Off-Isolation, and Crosstalk

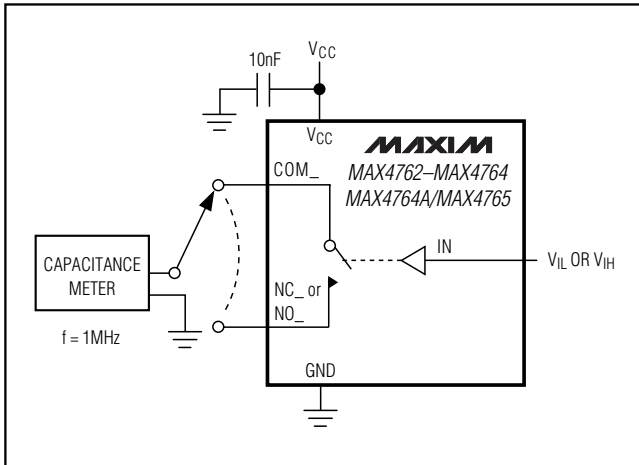


Figure 6. Channel Off/On-Capacitance

# Low-Voltage, Dual SPDT, Audio Clickless Switches with Negative Rail Capability

## Pin Configurations/Functional Diagrams/Truth Table (continued)



### Selector Guide

| PART         | COMPARATOR | SHUNT | PACKAGE SIZE (mm) |
|--------------|------------|-------|-------------------|
| MAX4762EBC-T | No         | No    | 1.5 x 2.0         |
| MAX4762ETB   | No         | No    | 3.0 x 3.0         |
| MAX4762EUB   | No         | No    | 3.0 x 5.0         |
| MAX4763EBC-T | Yes        | No    | 1.5 x 2.0         |
| MAX4763ETC   | Yes        | No    | 4.0 x 4.0         |
| MAX4764EBC-T | No         | Yes   | 1.5 x 2.0         |
| MAX4764ETB   | No         | Yes   | 3.0 x 3.0         |
| MAX4764AETB  | No         | Yes   | 3.0 x 3.0         |
| MAX4764EUB   | No         | Yes   | 3.0 x 5.0         |
| MAX4765EBC-T | Yes        | Yes   | 1.5 x 2.0         |
| MAX4765ETC   | Yes        | Yes   | 4.0 x 4.0         |

### Ordering Information (continued)

| PART                 | TEMP RANGE     | PIN-PACKAGE | TOP MARK |
|----------------------|----------------|-------------|----------|
| <b>MAX4763</b> EBC-T | -40°C to +85°C | 12 UCSP-12  | ABS      |
| MAX4763ETC           | -40°C to +85°C | 12 Thin QFN | AAED     |
| <b>MAX4764</b> ETB   | -40°C to +85°C | 10 TDFN     | ACH      |
| MAX4764EUB           | -40°C to +85°C | 10 μMAX     | —        |
| MAX4764EBC-T         | -40°C to +85°C | 12 UCSP-12  | ABV      |
| <b>MAX4764A</b> ETB  | -40°C to +85°C | 10 TDFN     | AQP      |
| <b>MAX4765</b> EBC-T | -40°C to +85°C | 12 UCSP-12  | ABT      |
| MAX4765ETC           | -40°C to +85°C | 12 Thin QFN | AAEE     |

### Chip Information

TRANSISTOR COUNT: 769

PROCESS: BICMOS

MAX4762-MAX4764/MAX4764A/MAX4765

# Low-Voltage, Dual SPDT, Audio Clickless Switches with Negative Rail Capability

## Package Information

(The package drawing(s) in this data sheet may not reflect the most current specifications. For the latest package outline information, go to [www.maxim-ic.com/packages](http://www.maxim-ic.com/packages).)

**TOP VIEW**

| COMMON DIMENSIONS |                |
|-------------------|----------------|
| A                 | 0.62±0.05-0.08 |
| A1                | 0.29±0.02      |
| A2                | 0.33 REF.      |
| b                 | ∅0.35±0.03     |
| D1                | 1.00 BASIC     |
| E1                | 1.50 BASIC     |
| e                 | 0.50 BASIC     |
| SD                | 0.00 BASIC     |
| SE                | 0.25 BASIC     |

| PKG. CODE | VARIABLE DIMENSIONS |           | DEPOPULATED SOLDER BALLS |
|-----------|---------------------|-----------|--------------------------|
|           | D                   | E         |                          |
| B12-1     | 1.54±0.05           | 2.02±0.05 | NONE                     |
| B12-2     | 1.54±0.05           | 2.02±0.05 | B3                       |
| B12-3     | 1.54±0.05           | 2.12±0.05 | NONE                     |
| B12-4     | 1.54±0.05           | 2.02±0.05 | B2, B3                   |
| B12-5     | 1.64±0.05           | 2.12±0.05 | B2                       |
| B12-6     | 1.64±0.05           | 2.12±0.05 | B3                       |
| B12-7     | 1.54±0.05           | 2.02±0.05 | B1, B3                   |
| B12-8     | 1.54±0.05           | 2.02±0.05 | B2                       |
| B12-9     | 1.54±0.05           | 2.12±0.05 | B2, B3                   |
| B12-10    | 1.54±0.05           | 2.02±0.05 | B1, B2, B3, B4           |
| B12-11    | 1.54±0.05           | 2.02±0.05 | A2, C3                   |

**NOTES:**

- ALL DIMENSIONS ARE IN MILLIMETERS.
- PRODUCT MARKING: NUMBER OF CHARACTERS AND LINES VARY PER PRODUCT.

**BOTTOM VIEW**

**SIDE VIEW**

PROPRIETARY INFORMATION

TITLE: PACKAGE OUTLINE, 4x3 UCSP

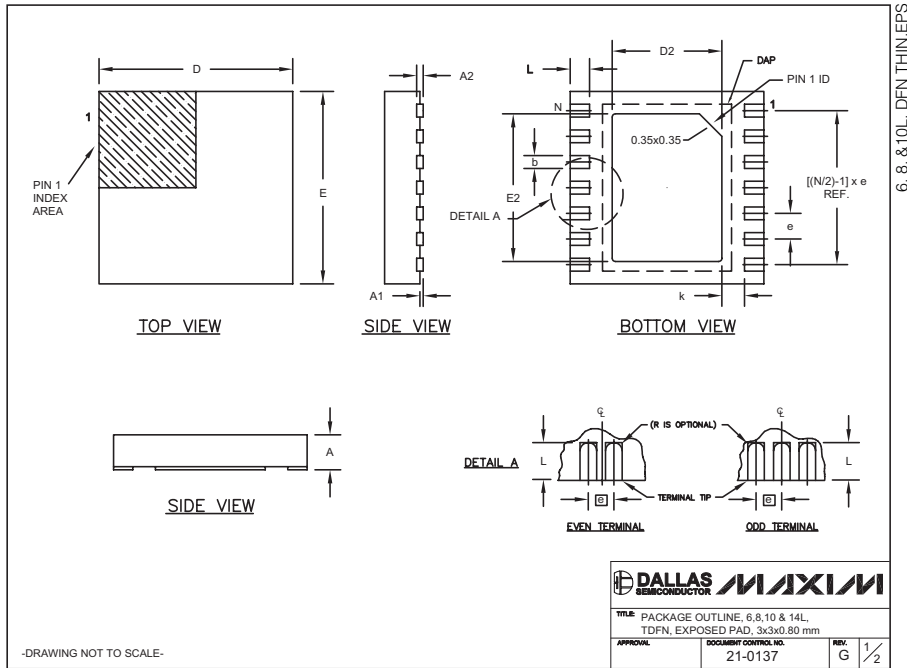
|          |                                 |           |     |
|----------|---------------------------------|-----------|-----|
| APPROVAL | DOCUMENT CONTROL NO.<br>21-0104 | REV.<br>F | 1/1 |
|----------|---------------------------------|-----------|-----|

12L UCSP 4x3 ERS

# Low-Voltage, Dual SPDT, Audio Clickless Switches with Negative Rail Capability

## Package Information (continued)

(The package drawing(s) in this data sheet may not reflect the most current specifications. For the latest package outline information, go to [www.maxim-ic.com/packages](http://www.maxim-ic.com/packages).)



| COMMON DIMENSIONS |           |      |  |  |  |  |  |
|-------------------|-----------|------|--|--|--|--|--|
| SYMBOL            | MIN.      | MAX. |  |  |  |  |  |
| A                 | 0.70      | 0.80 |  |  |  |  |  |
| D                 | 2.90      | 3.10 |  |  |  |  |  |
| E                 | 2.90      | 3.10 |  |  |  |  |  |
| A1                | 0.00      | 0.05 |  |  |  |  |  |
| L                 | 0.20      | 0.40 |  |  |  |  |  |
| k                 | 0.25 MIN. |      |  |  |  |  |  |
| A2                | 0.20 REF. |      |  |  |  |  |  |

| PACKAGE VARIATIONS |    |           |           |          |                |           |               |                   |
|--------------------|----|-----------|-----------|----------|----------------|-----------|---------------|-------------------|
| PKG. CODE          | N  | D2        | E2        | e        | JEDEC SPEC     | b         | [(N/2)-1] x e | DOWNBONDS ALLOWED |
| T633-1             | 6  | 1.50±0.10 | 2.30±0.10 | 0.95 BSC | MO229 / WEEA   | 0.40±0.05 | 1.90 REF      | NO                |
| T633-2             | 6  | 1.50±0.10 | 2.30±0.10 | 0.95 BSC | MO229 / WEEA   | 0.40±0.05 | 1.90 REF      | NO                |
| T833-1             | 8  | 1.50±0.10 | 2.30±0.10 | 0.65 BSC | MO229 / WEEC   | 0.30±0.05 | 1.95 REF      | NO                |
| T833-2             | 8  | 1.50±0.10 | 2.30±0.10 | 0.65 BSC | MO229 / WEEC   | 0.30±0.05 | 1.95 REF      | NO                |
| T833-3             | 8  | 1.50±0.10 | 2.30±0.10 | 0.65 BSC | MO229 / WEEC   | 0.30±0.05 | 1.95 REF      | YES               |
| T1033-1            | 10 | 1.50±0.10 | 2.30±0.10 | 0.50 BSC | MO229 / WEED-3 | 0.25±0.05 | 2.00 REF      | NO                |
| T1433-1            | 14 | 1.70±0.10 | 2.30±0.10 | 0.40 BSC | ----           | 0.20±0.05 | 2.40 REF      | YES               |
| T1433-2            | 14 | 1.70±0.10 | 2.30±0.10 | 0.40 BSC | ----           | 0.20±0.05 | 2.40 REF      | NO                |

NOTES:

1. ALL DIMENSIONS ARE IN mm. ANGLES IN DEGREES.
2. COPLANARITY SHALL NOT EXCEED 0.08 mm.
3. WARPAGE SHALL NOT EXCEED 0.10 mm.
4. PACKAGE LENGTH/PACKAGE WIDTH ARE CONSIDERED AS SPECIAL CHARACTERISTIC(S).
5. DRAWING CONFORMS TO JEDEC MO229, EXCEPT DIMENSIONS "D2" AND "E2", AND T1433-1 & T1433-2.
6. "N" IS THE TOTAL NUMBER OF LEADS.
7. NUMBER OF LEADS SHOWN ARE FOR REFERENCE ONLY.

-DRAWING NOT TO SCALE-

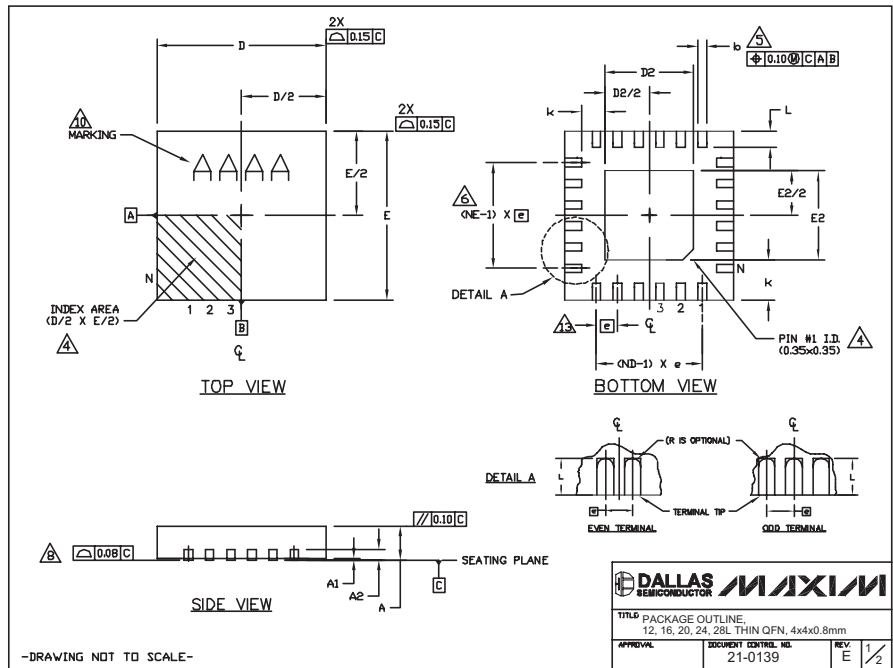
|  |                                 |
|--|---------------------------------|
| <b>DALLAS SEMICONDUCTOR</b>  | <b>MAXIM</b>                    |
| TITLE: PACKAGE OUTLINE, 6,8,10 & 14L<br>TDFN, EXPOSED PAD, 3x3x0.80 mm |                                 |
| APPROVAL   | DOCUMENT CONTROL NO.<br>21-0137 |
| REV.   | G                               |
| 2/2  |                                 |

**MAX4762-MAX4764/MAX4764A/MAX4765**

# Low-Voltage, Dual SPDT, Audio Clickless Switches with Negative Rail Capability

## Package Information (continued)

(The package drawing(s) in this data sheet may not reflect the most current specifications. For the latest package outline information, go to [www.maxim-ic.com/packages](http://www.maxim-ic.com/packages).)



| PKG REF. | 12L 4x4   |      |      |      |      | 16L 4x4   |      |      |      |      | 20L 4x4   |      |      |      |      | 24L 4x4   |      |      |      |      | 28L 4x4   |      |      |      |    |  |  |
|----------|-----------|------|------|------|------|-----------|------|------|------|------|-----------|------|------|------|------|-----------|------|------|------|------|-----------|------|------|------|----|--|--|
|          | MIN.      | NOM. | MAX. | MIN. | NOM. | MAX.      | MIN. | NOM. | MAX. | MIN. | NOM.      | MAX. | MIN. | NOM. | MAX. | MIN.      | NOM. | MAX. | MIN. | NOM. | MAX.      | MIN. | NOM. | MAX. |    |  |  |
| A        | 0.70      | 0.75 | 0.80 | 0.70 | 0.75 | 0.80      | 0.70 | 0.75 | 0.80 | 0.70 | 0.75      | 0.80 | 0.70 | 0.75 | 0.80 | 0.70      | 0.75 | 0.80 | 0.70 | 0.75 | 0.80      | 0.70 | 0.75 | 0.80 |    |  |  |
| A1       | 0.0       | 0.02 | 0.05 | 0.0  | 0.02 | 0.05      | 0.0  | 0.02 | 0.05 | 0.0  | 0.02      | 0.05 | 0.0  | 0.02 | 0.05 | 0.0       | 0.02 | 0.05 | 0.0  | 0.02 | 0.05      | 0.0  | 0.02 | 0.05 |    |  |  |
| A2       | 0.20 REF  |      |      |      |      | 0.20 REF  |      |      |      |      | 0.20 REF  |      |      |      |      | 0.20 REF  |      |      |      |      | 0.20 REF  |      |      |      |    |  |  |
| b        | 0.25      | 0.30 | 0.35 | 0.25 | 0.30 | 0.35      | 0.20 | 0.25 | 0.30 | 0.18 | 0.23      | 0.30 | 0.15 | 0.20 | 0.25 | 0.25      | 0.30 | 0.25 | 0.30 | 0.25 | 0.30      | 0.25 | 0.30 | 0.25 |    |  |  |
| D        | 3.90      | 4.00 | 4.10 | 3.90 | 4.00 | 4.10      | 3.90 | 4.00 | 4.10 | 3.90 | 4.00      | 4.10 | 3.90 | 4.00 | 4.10 | 3.90      | 4.00 | 4.10 | 3.90 | 4.00 | 4.10      | 3.90 | 4.00 | 4.10 |    |  |  |
| E        | 3.90      | 4.00 | 4.10 | 3.90 | 4.00 | 4.10      | 3.90 | 4.00 | 4.10 | 3.90 | 4.00      | 4.10 | 3.90 | 4.00 | 4.10 | 3.90      | 4.00 | 4.10 | 3.90 | 4.00 | 4.10      | 3.90 | 4.00 | 4.10 |    |  |  |
| e        | 0.80 BSC. |      |      |      |      | 0.65 BSC. |      |      |      |      | 0.50 BSC. |      |      |      |      | 0.50 BSC. |      |      |      |      | 0.40 BSC. |      |      |      |    |  |  |
| k        | 0.25      | -    | -    | 0.25 | -    | -         | 0.25 | -    | -    | 0.25 | -         | -    | 0.25 | -    | -    | 0.25      | -    | -    | 0.25 | -    | -         | 0.25 | -    | -    |    |  |  |
| L        | 0.45      | 0.55 | 0.65 | 0.45 | 0.55 | 0.65      | 0.45 | 0.55 | 0.65 | 0.30 | 0.40      | 0.50 | 0.30 | 0.40 | 0.50 | 0.30      | 0.40 | 0.50 | 0.30 | 0.40 | 0.50      | 0.30 | 0.40 | 0.50 |    |  |  |
| N        | 12        |      |      | 16   |      |           | 20   |      |      | 24   |           |      | 28   |      |      | 28        |      |      | 28   |      |           | 28   |      |      | 28 |  |  |
| ND       | 3         |      |      | 4    |      |           | 5    |      |      | 6    |           |      | 7    |      |      | 7         |      |      | 7    |      |           | 7    |      |      | 7  |  |  |
| NE       | 3         |      |      | 4    |      |           | 5    |      |      | 6    |           |      | 7    |      |      | 7         |      |      | 7    |      |           | 7    |      |      | 7  |  |  |
| WGCG Vsg | VGG3      |      |      |      |      | VGGC      |      |      |      |      | VGGD-1    |      |      |      |      | VGGD-2    |      |      |      |      | VGGE      |      |      |      |    |  |  |

| PKG CODES | D2   |      |      | E2   |      |      | DOWN PINS ALLOWED |
|-----------|------|------|------|------|------|------|-------------------|
|           | MIN. | NOM. | MAX. | MIN. | NOM. | MAX. |                   |
| T1244-3   | 1.95 | 2.10 | 2.25 | 1.95 | 2.10 | 2.25 | YES               |
| T1244-4   | 1.95 | 2.10 | 2.25 | 1.95 | 2.10 | 2.25 | NO                |
| T1644-3   | 1.95 | 2.10 | 2.25 | 1.95 | 2.10 | 2.25 | YES               |
| T1644-4   | 1.95 | 2.10 | 2.25 | 1.95 | 2.10 | 2.25 | NO                |
| T2044-2   | 1.95 | 2.10 | 2.25 | 1.95 | 2.10 | 2.25 | YES               |
| T2044-3   | 1.95 | 2.10 | 2.25 | 1.95 | 2.10 | 2.25 | NO                |
| T2444-2   | 1.95 | 2.10 | 2.25 | 1.95 | 2.10 | 2.25 | YES               |
| T2444-3   | 2.45 | 2.60 | 2.63 | 2.45 | 2.60 | 2.63 | YES               |
| T2444-4   | 2.45 | 2.60 | 2.63 | 2.45 | 2.60 | 2.63 | NO                |
| T2844-1   | 2.50 | 2.60 | 2.70 | 2.50 | 2.60 | 2.70 | NO                |

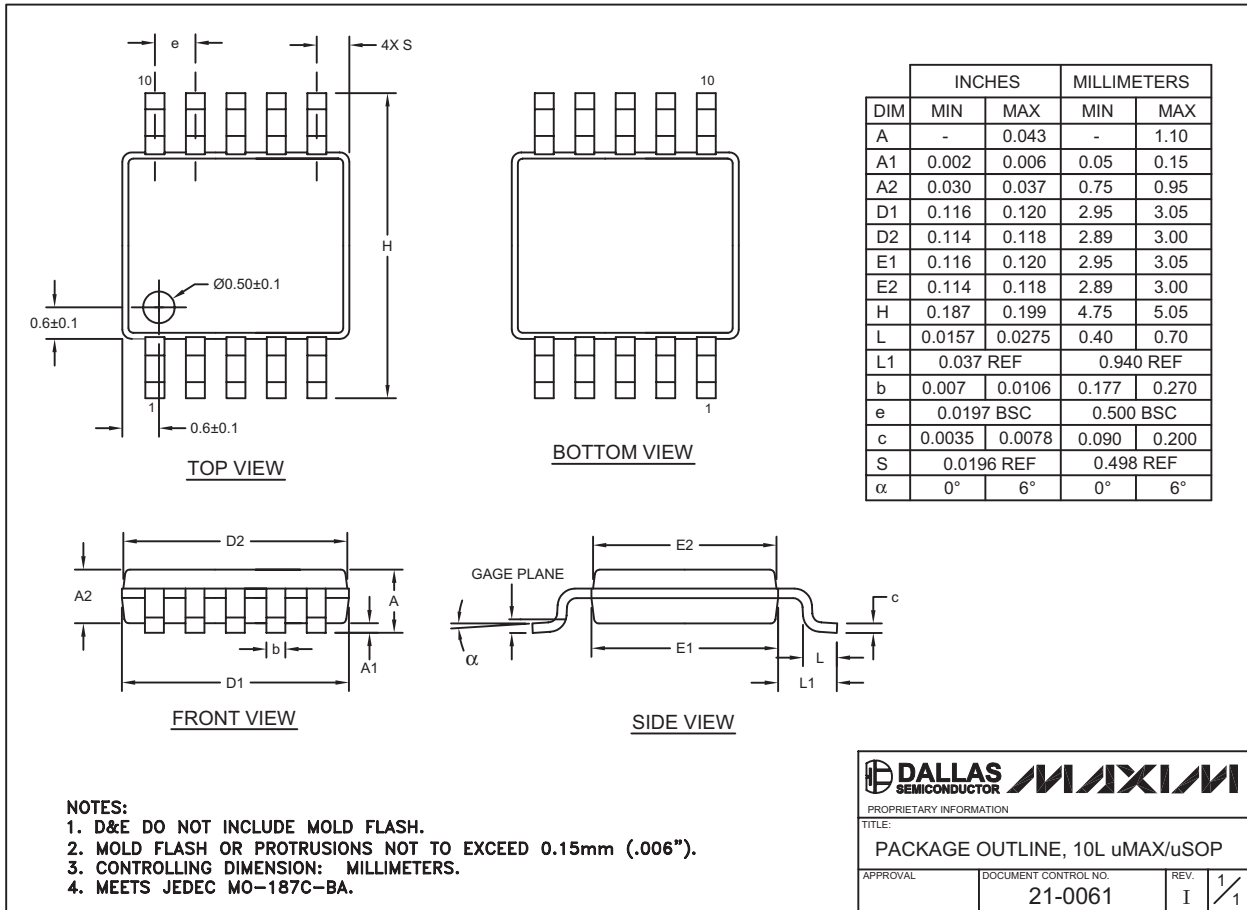
- NOTES:
- DIMENSIONING & TOLERANCING CONFORM TO ASME Y14.5M-1994.
  - ALL DIMENSIONS ARE IN MILLIMETERS, ANGLES ARE IN DEGREES.
  - N IS THE TOTAL NUMBER OF TERMINALS.
  - THE TERMINAL #1 IDENTIFIER AND TERMINAL NUMBERING CONVENTION SHALL CONFORM TO JEDEC 93-1 SPP-012. DETAILS OF TERMINAL #1 IDENTIFIER ARE OPTIONAL, BUT MUST BE LOCATED WITHIN THE ZONE INDICATED. THE TERMINAL #1 IDENTIFIER MAY BE EITHER A MOLD OR MARKED FEATURE.
  - DIMENSION b APPLIES TO METALLIZED TERMINAL AND IS MEASURED BETWEEN 0.25 mm AND 0.30 mm FROM TERMINAL TIP.
  - ND AND NE REFER TO THE NUMBER OF TERMINALS ON EACH D AND E SIDE RESPECTIVELY.
  - DEPOPULATION IS POSSIBLE IN A SYMMETRICAL FASHION.
  - COPLANARITY APPLIES TO THE EXPOSED HEAT SINK SLUG AS WELL AS THE TERMINALS.
  - DRAWING CONFORMS TO JEDEC M0220, EXCEPT FOR T2444-3, T2444-4 AND T2844-1.
  - MARKING IS FOR PACKAGE ORIENTATION REFERENCE ONLY.
  - COPLANARITY SHALL NOT EXCEED 0.08mm
  - WARRPAGE SHALL NOT EXCEED 0.10mm
  - LEAD CENTERLINES TO BE AT TRUE POSITION AS DEFINED BY BASIC DIMENSION "e", ±0.05.
  - NUMBER OF LEADS SHOWN ARE FOR REFERENCE ONLY

|  |                      |       |     |
|--|----------------------|-------|-----|
| DALLAS SEMICONDUCTOR   |                      | MAXIM |     |
| TITLE PACKAGE OUTLINE, 12, 16, 20, 24, 28L THIN QFN, 4x4x0.8mm |                      |       |     |
| APPROVAL   | DOCUMENT CONTROL NO. | REV.  | E   |
|  | 21-0139              |       | 2/2 |

# Low-Voltage, Dual SPDT, Audio Clickless Switches with Negative Rail Capability

## Package Information (continued)

(The package drawing(s) in this data sheet may not reflect the most current specifications. For the latest package outline information, go to [www.maxim-ic.com/packages](http://www.maxim-ic.com/packages).)



10LUMAX:EPS

**MAX4762-MAX4764/MAX4764A/MAX4765**

Maxim cannot assume responsibility for use of any circuitry other than circuitry entirely embodied in a Maxim product. No circuit patent licenses are implied. Maxim reserves the right to change the circuitry and specifications without notice at any time.

Maxim Integrated Products, 120 San Gabriel Drive, Sunnyvale, CA 94086 408-737-7600 \_\_\_\_\_ 15



Компания «ЭлектроПласт» предлагает заключение долгосрочных отношений при поставках импортных электронных компонентов на взаимовыгодных условиях!

Наши преимущества:

- Оперативные поставки широкого спектра электронных компонентов отечественного и импортного производства напрямую от производителей и с крупнейших мировых складов;
- Поставка более 17-ти миллионов наименований электронных компонентов;
- Поставка сложных, дефицитных, либо снятых с производства позиций;
- Оперативные сроки поставки под заказ (от 5 рабочих дней);
- Экспресс доставка в любую точку России;
- Техническая поддержка проекта, помощь в подборе аналогов, поставка прототипов;
- Система менеджмента качества сертифицирована по Международному стандарту ISO 9001;
- Лицензия ФСБ на осуществление работ с использованием сведений, составляющих государственную тайну;
- Поставка специализированных компонентов (Xilinx, Altera, Analog Devices, Intersil, Interpoint, Microsemi, Aeroflex, Peregrine, Syfer, Eurofarad, Texas Instrument, Miteq, Cobham, E2V, MA-COM, Hittite, Mini-Circuits, General Dynamics и др.);

Помимо этого, одним из направлений компании «ЭлектроПласт» является направление «Источники питания». Мы предлагаем Вам помощь Конструкторского отдела:

- Подбор оптимального решения, техническое обоснование при выборе компонента;
- Подбор аналогов;
- Консультации по применению компонента;
- Поставка образцов и прототипов;
- Техническая поддержка проекта;
- Защита от снятия компонента с производства.



#### Как с нами связаться

**Телефон:** 8 (812) 309 58 32 (многоканальный)

**Факс:** 8 (812) 320-02-42

**Электронная почта:** [org@eplast1.ru](mailto:org@eplast1.ru)

**Адрес:** 198099, г. Санкт-Петербург, ул. Калинина, дом 2, корпус 4, литера А.