

Features

- One Differential LVPECL output
- Crystal oscillator interface, 18pF parallel resonant crystal (23.2MHz - 30MHz)
- Output frequency range: 290MHz - 750MHz
- RMS phase jitter @ 312.5MHz, using a 25MHz crystal (12kHz - 20MHz): 0.3ps (typical), 0.5ps (max)
- 3.3V or 2.5V operating supply
- -40°C to 85°C operating temperature
- Available in 8pin TSSOP

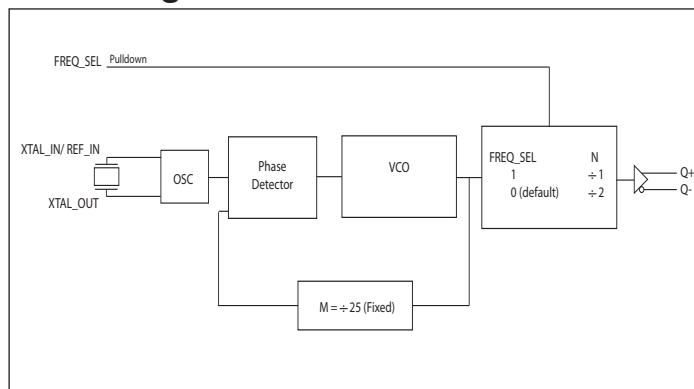
Description

The PI6LC48P0101 is a 10Gb Ethernet Clock Generator. The PI6LC48P0101 uses an 18pF parallel resonant crystal over the range of 23.2MHz - 30MHz. For Ethernet applications, a 25MHz crystal is used. The PI6LC48P0101 can achieve <0.5ps RMS phase jitter performance over the 12kHz - 20MHz integration range. The PI6LC48P0101 is packaged in a small 8-pin TSSOP, making it ideal for use in systems with limited board space.

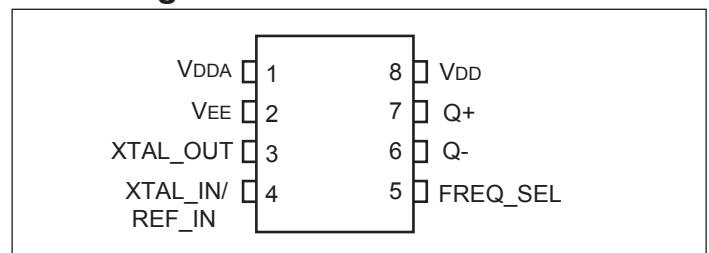
Common Configuration Table

Inputs					Output Frequency (MHz)
Crystal Frequency (MHz)	FREQ_SEL	M	N	Multiplication Value M/N	
25	1	25	1	25	625
25	0	25	2	12.5	312.5

Block Diagram



Pin Configuration



Pin Description

Pin #	Pin Name	Type		Description
1	V _{DDA}	Power		Analog supply pin.
2	V _{EE}	Power		Negative supply pin.
3	XTAL_OUT	Output		XTAL_OUT is the output.
4	XTAL_IN/ REF_IN	Input		XTAL_IN, can also be driven by a single ended reference clock
5	FREQ_SEL	Input	Pulldown	Frequency select pin. LVCMOS/LVTTL interface levels.
6, 7	Q-, Q+	Output		Differential clock outputs. LVPECL interface levels.
8	V _{DD}	Power		Core supply pin.

NOTE: Pulldown refers to internal input resistors. See Pin Characteristics for typical values.

Pin Characteristics

Symbol	Parameter	Test Condition	Minimum	Typical	Maximum	Units
C _{IN}	Input Capacitance			4		pF
R _{PULLDOWN}	Input Pulldown Resistor			51		kΩ

Maximum Ratings

Storage Temperature.....	-65°C to +155°C
Temperature with Power Applied	-40°C to +85°C
3.3V Supply Voltage	-0.5 to +3.6V
ESD Protection (HBM)	2000V

Note:

NOTE: Stresses beyond those listed under Absolute Maximum Ratings may cause permanent damage to the device. These ratings are stress specifications only. Functional operation of product at these conditions or any conditions beyond those listed in the DC Characteristics or AC Characteristics is not implied. Exposure to absolute maximum rating conditions for extended periods may affect product reliability.

DC Electrical Characteristics

Power Supply DC Characteristics ($V_{DD} = 3.3V \pm 5\%$, $V_{EE} = 0V$, $T_A = -40^\circ C$ to $85^\circ C$)

Symbol	Parameter	Test Condition	Min.	Typ.	Max.	Units
V_{DD}	Core Supply Voltage		3.135	3.3	3.465	V
V_{DDA}	Analog Supply Voltage		$V_{DD} - 0.25$	3.3	V_{DD}	V
I_{EE}	Power Supply Current				83	mA
I_{DDA}	Analog Supply Current				28	mA

Power Supply DC Characteristics ($V_{DD} = 2.5V \pm 5\%$, $V_{EE} = 0V$, $T_A = -40^\circ C$ to $85^\circ C$)

Symbol	Parameter	Test Condition	Min.	Typ.	Max.	Units
V_{DD}	Core Supply Voltage		2.375	2.5	2.625	V
V_{DDA}	Analog Supply Voltage		$V_{DD} - 0.25$	2.5	V_{DD}	V
I_{EE}	Power Supply Current				78	mA
I_{DDA}	Analog Supply Current				28	mA

LVC MOS/LVTTL DC Characteristics ($V_{DD} = 3.3V \pm 5\%$ or $2.5V \pm 5\%$, $V_{EE} = 0V$, $T_A = -40^\circ C$ to $85^\circ C$)

Symbol	Parameter	Test Condition	Min.	Typ.	Max.	Units
V_{IH}	Input High Voltage	$V_{DD} = 3.3V$	2		$V_{DD} + 0.3$	V
		$V_{DD} = 2.5V$	1.7		$V_{DD} + 0.3$	V
V_{IL}	Input Low Voltage	$V_{DD} = 3.3V$	-0.3		0.8	V
		$V_{DD} = 2.5V$	-0.3		0.7	V
I_{IH}	Input High Current	$V_{DD} = V_{IN} = 2.625V$ or $3.465V$			150	μA
I_{IL}	Input Low Current	$V_{DD} = 2.625V$ or $3.465V$, $V_{IN} = 0V$	-5			μA

LVPECL DC Characteristics ($V_{DD} = 3.3V \pm 5\%$, $V_{EE} = 0V$, $T_A = -40^\circ C$ to $85^\circ C$)

Symbol	Parameter	Test Condition	Min.	Typ.	Max.	Units
V_{OH}	Output High Voltage*	$V_{DD} = 3.3V$	1.9		2.4	V
		$V_{DD} = 2.5V$	1.1		1.6	
V_{OL}	Output Low Voltage*	$V_{DD} = 3.3V$	1.2		1.6	V
		$V_{DD} = 2.5V$	0.4		0.8	
V_{SWING}	Peak-to-Peak Output Voltage Swing		0.6		1.0	V

Note: LVPECL Termination: Source 150ohm to GND and 100ohm across CLK+ and CLK-

Crystal Characteristics

Parameter	Test Condition	Min.	Typ.	Max.	Units
Mode of Oscillation		Fundamental			
Frequency		23.2		30	MHz
Equivalent Series Resistance (ESR)				40	Ω
Shunt Capacitance				7	pF

NOTE: It is not recommended to overdrive the crystal input with an external clock.

AC Electrical Characteristics
 $(V_{DD} = 3.3V \pm 5\%, V_{EE} = 0V, T_A = -40^\circ C \text{ to } 85^\circ C)$

Symbol	Parameter	Test Conditions	Min.	Typ.	Max.	Units
f _{OUT}	Output Frequency	FREQ_SEL = 0		312.5		MHz
		FREQ_SEL = 1		625		MHz
t _{jit}	RMS Phase Jitter (Random)*	312.5MHz @ Integration Range: 12kHz - 20MHz		0.3	0.5	ps
		312.5MHz @ Integration Range: 1.875MHz - 20MHz		0.1		
		625MHz @ Integration Range: 12kHz - 20MHz		0.3	0.5	ps
		625MHz @ Integration Range: 1.875MHz - 20MHz		0.07		
t _R / t _F	Output Rise/Fall Time	20% to 80%	100		400	ps
odc	Output Duty Cycle		47		53	%

NOTE: Refer to the Phase Noise Plots following this section.

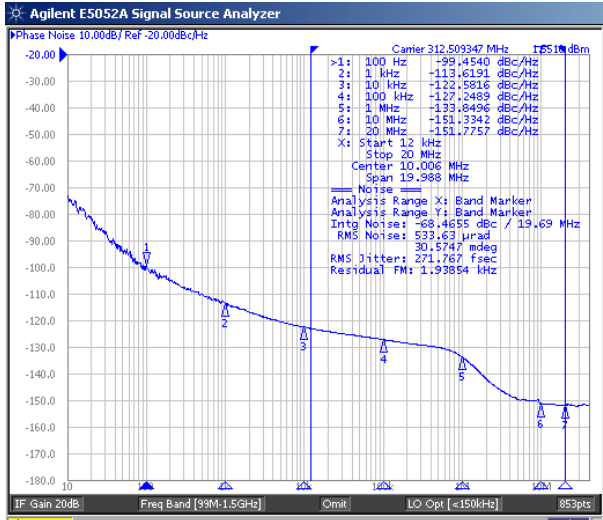
AC Electrical Characteristics ($V_{DD} = 2.5V \pm 5\%, V_{EE} = 0V, T_A = -40^\circ C \text{ to } 85^\circ C$)

Symbol	Parameter	Test Conditions	Min.	Typ.	Max.	Units
f _{OUT}	Output Frequency	FREQ_SEL = 0		312.5		MHz
		FREQ_SEL = 1		625		MHz
t _{jit}	RMS Phase Jitter (Random)*	312.5MHz @ Integration Range: 12kHz - 20MHz		0.3	0.5	ps
		312.5MHz @ Integration Range: 1.875MHz - 20MHz		0.1		
		625MHz @ Integration Range: 12kHz - 20MHz		0.3	0.5	ps
		625MHz @ Integration Range: 1.875MHz - 20MHz		0.07		
t _R / t _F	Output Rise/Fall Time	20% to 80%	100		400	ps
odc	Output Duty Cycle		47		53	%

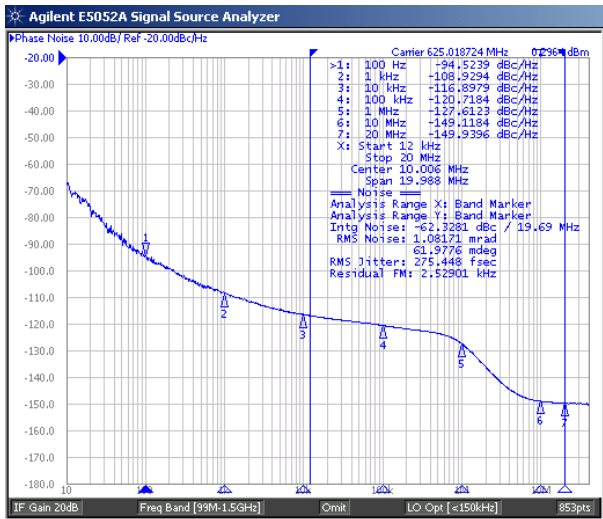
NOTE: Refer to the Phase Noise Plots following this section.

Phase Noise Plots

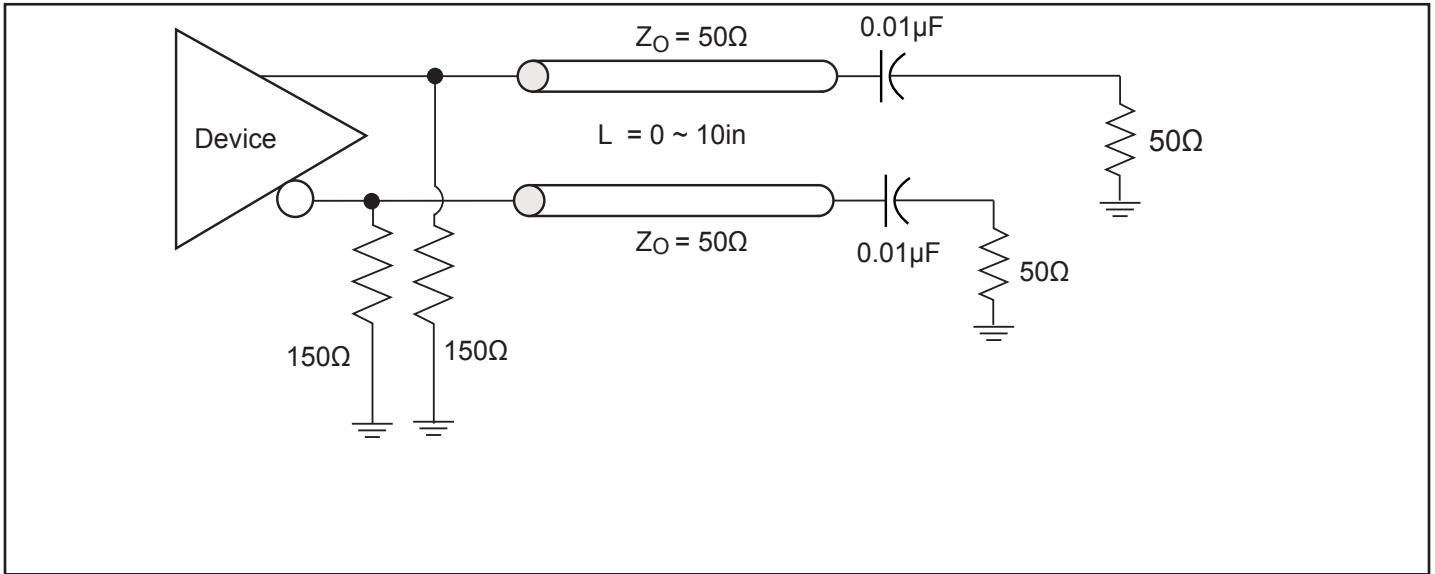
312.5MHz



625MHz

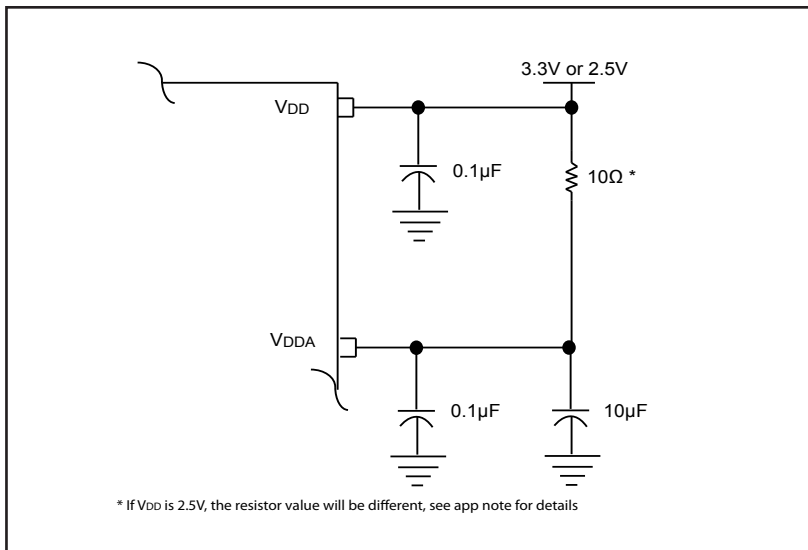


LVPECL Test Circuit



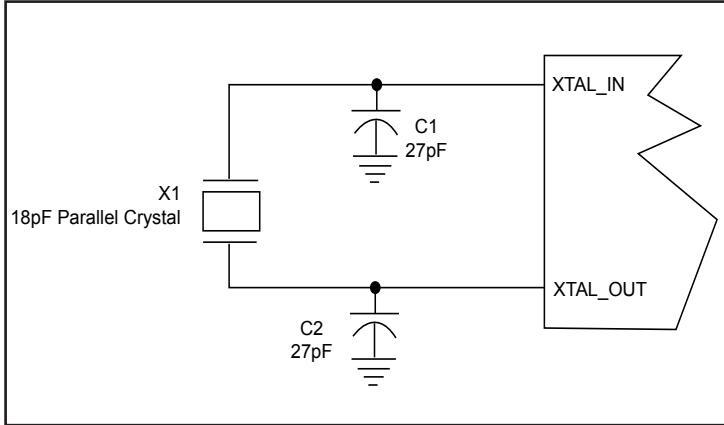
Power Supply Filtering Techniques

As in any high speed analog circuitry, the power supply pins are vulnerable to random noise. To achieve optimum jitter performance, power supply isolation is required. The PI6LC48P0101 provides separate power supplies to isolate any high switching noise from the outputs to the internal PLL. V_{DD} and V_{DDA} should be individually connected to the power supply plane through vias, and $0.1\mu\text{F}$ bypass capacitors should be used for each pin. Figure below illustrates this for a generic V_{DD} pin and also shows that V_{DDA} requires that an additional 10Ω resistor along with a $10\mu\text{F}$ bypass capacitor be connected to the V_{DDA} pin.



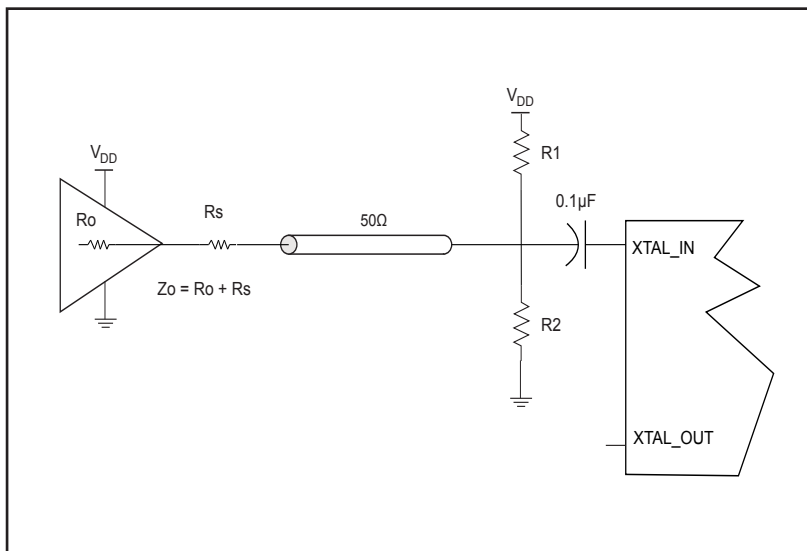
Crystal Input Interface

The clock generator has been characterized with 18pF parallel resonant crystals. The capacitor values shown in the figure below were determined using a 25MHz, 18pF parallel resonant crystal and were chosen to minimize the ppm error.



LVC MOS to XTAL Interface

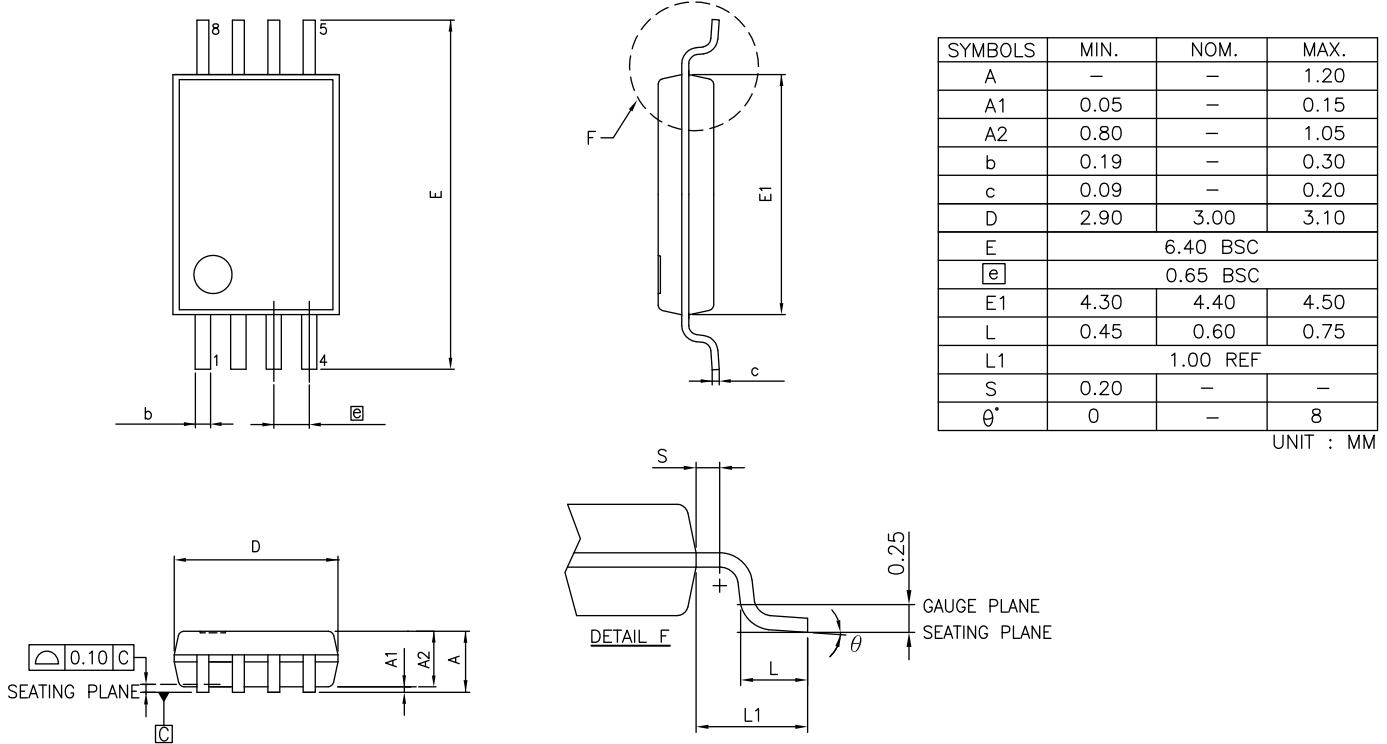
The XTAL_IN input can accept a single-ended LVC MOS signal through an AC coupling capacitor. A general interface diagram is shown in the figure below. The XTAL_OUT pin can be left floating. The input edge rate can be as slow as 10ns. For LVC MOS signals, it is recommended that the amplitude be reduced from full swing to half swing in order to prevent signal interference with the power rail and to reduce noise. This configuration requires that the output impedance of the driver (R_o) plus the series resistance (R_s) equals the transmission line impedance. In addition, matched termination at the crystal input will attenuate the signal in half. This can be done in one of the two ways. First, R_1 and R_2 in parallel should equal the transmission line impedance. For most 50Ω applications, R_1 and R_2 can be 100Ω. This can also be accomplished by removing R_1 and making R_2 50Ω. By overdriving the crystal oscillator, the device will be functional, but note, the device performance is guaranteed by using a quartz crystal.



Thermal Information

Symbol	Description	
Θ_{JA}	Junction-to-ambient thermal resistance	124 °C/W
Θ_{JC}	Junction-to-case thermal resistance	37°C/W

Packaging Mechanical:



- Notes:**
1. Refer JEDEC MO-153F/AA
 2. Controlling dimensions in millimeters
 3. Package outline exclusive of mold flash and metal burr

	DATE: 05/03/12
DESCRIPTION: 8 pin, 173mil wide TSSOP	
PACKAGE CODE: L	
DOCUMENT CONTROL #: PD-1308	REVISION: F

12-0370

Ordering Information

Ordering Code	Package Code	Package Type
PI6LC48P0101LIE	L	Pb-free & Green, 8-pin TSSOP
PI6LC48P0101LIEX	L	Pb-free & Green, 8-pin TSSOP, Tape & Reel

- Notes:**
1. Thermal characteristics can be found on the company web site at www.pericom.com/packaging/
 2. "E" denotes Pb-free and Green
 3. Adding an "X" at the end of the ordering code denotes tape and Reel packaging

Mouser Electronics

Authorized Distributor

Click to View Pricing, Inventory, Delivery & Lifecycle Information:

[Diodes Incorporated:](#)

[PI6LC48P0101LIE](#)



Компания «ЭлектроПласт» предлагает заключение долгосрочных отношений при поставках импортных электронных компонентов на взаимовыгодных условиях!

Наши преимущества:

- Оперативные поставки широкого спектра электронных компонентов отечественного и импортного производства напрямую от производителей и с крупнейших мировых складов;
- Поставка более 17-ти миллионов наименований электронных компонентов;
- Поставка сложных, дефицитных, либо снятых с производства позиций;
- Оперативные сроки поставки под заказ (от 5 рабочих дней);
- Экспресс доставка в любую точку России;
- Техническая поддержка проекта, помощь в подборе аналогов, поставка прототипов;
- Система менеджмента качества сертифицирована по Международному стандарту ISO 9001;
- Лицензия ФСБ на осуществление работ с использованием сведений, составляющих государственную тайну;
- Поставка специализированных компонентов (Xilinx, Altera, Analog Devices, Intersil, Interpoint, Microsemi, Aeroflex, Peregrine, Syfer, Eurofarad, Texas Instrument, Miteq, Cobham, E2V, MA-COM, Hittite, Mini-Circuits, General Dynamics и др.);

Помимо этого, одним из направлений компании «ЭлектроПласт» является направление «Источники питания». Мы предлагаем Вам помощь Конструкторского отдела:

- Подбор оптимального решения, техническое обоснование при выборе компонента;
- Подбор аналогов;
- Консультации по применению компонента;
- Поставка образцов и прототипов;
- Техническая поддержка проекта;
- Защита от снятия компонента с производства.



Как с нами связаться

Телефон: 8 (812) 309 58 32 (многоканальный)

Факс: 8 (812) 320-02-42

Электронная почта: org@eplast1.ru

Адрес: 198099, г. Санкт-Петербург, ул. Калинина, дом 2, корпус 4, литера А.