

**PLEASE CHECK WWW.MOLEX.COM FOR LATEST PART INFORMATION**

**Part Number:** **0541020204**  
**Status:** **Active**  
**Description:** 0.50mm (.020") Pitch SlimStack™ Receptacle, Surface Mount, Dual Row, Vertical, 2.50mm (.098") Stacking Height, Gold Plating with Nickel Barrier, 20 Circuits

**Documents:**

[3D Model](#)  
[Drawing \(PDF\)](#)  
[Product Specification PS-54102-010 \(PDF\)](#)  
[Product Specification PS-54102-011 \(PDF\)](#)  
[RoHS Certificate of Compliance \(PDF\)](#)

**General**

Product Family PCB Receptacles  
 Series [54102](#)  
 Application Board-to-Board  
 Product Name SlimStack™

**Physical**

Circuits (Loaded) 20  
 Color - Resin Black  
 Durability (mating cycles max) 30  
 Glow-Wire Compliant No  
 Lock to Mating Part Yes  
 Mated Height (in) 0.098 In  
 Mated Height (mm) 2.50 mm  
 Material - Metal Phosphor Bronze  
 Material - Plating Mating Gold  
 Material - Plating Termination Gold  
 Number of Rows 2  
 Orientation Vertical  
 PCB Locator No  
 PCB Retention None  
 Packaging Type Embossed Tape on Reel  
 Pitch - Mating Interface (in) 0.020 In  
 Pitch - Mating Interface (mm) 0.50 mm  
 Polarized to Mating Part No  
 Polarized to PCB No  
 Stackable No  
 Temperature Range - Operating -40°C to +85°C  
 Termination Interface: Style Surface Mount

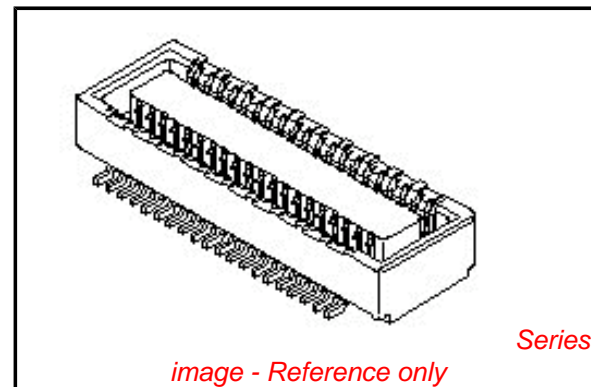
**Electrical**

Current - Maximum per Contact 0.5A  
 Voltage - Maximum 50V

**Material Info**

**Reference - Drawing Numbers**

Product Specification PS-54102-010, PS-54102-011, RPS-54102-012, RPS-54102-013, RPS-54102-015, RPS-54102-017  
 Sales Drawing SD-54102-006, SD-54102-007



**EU RoHS**

**ELV and RoHS Compliant**  
**REACH SVHC**  
 Not Reviewed  
**Halogen-Free Status**  
**Not Reviewed**

**China RoHS**



**Need more information on product environmental compliance?**

Email [productcompliance@molex.com](mailto:productcompliance@molex.com)  
 For a multiple part number RoHS Certificate of Compliance, [click here](#)

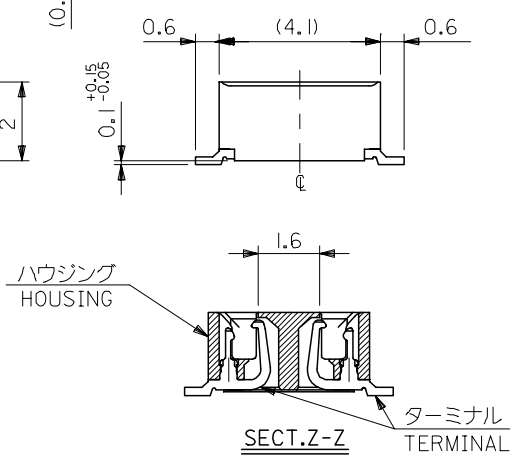
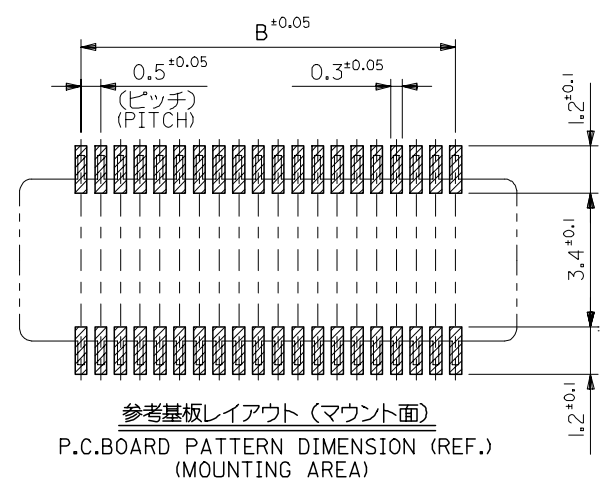
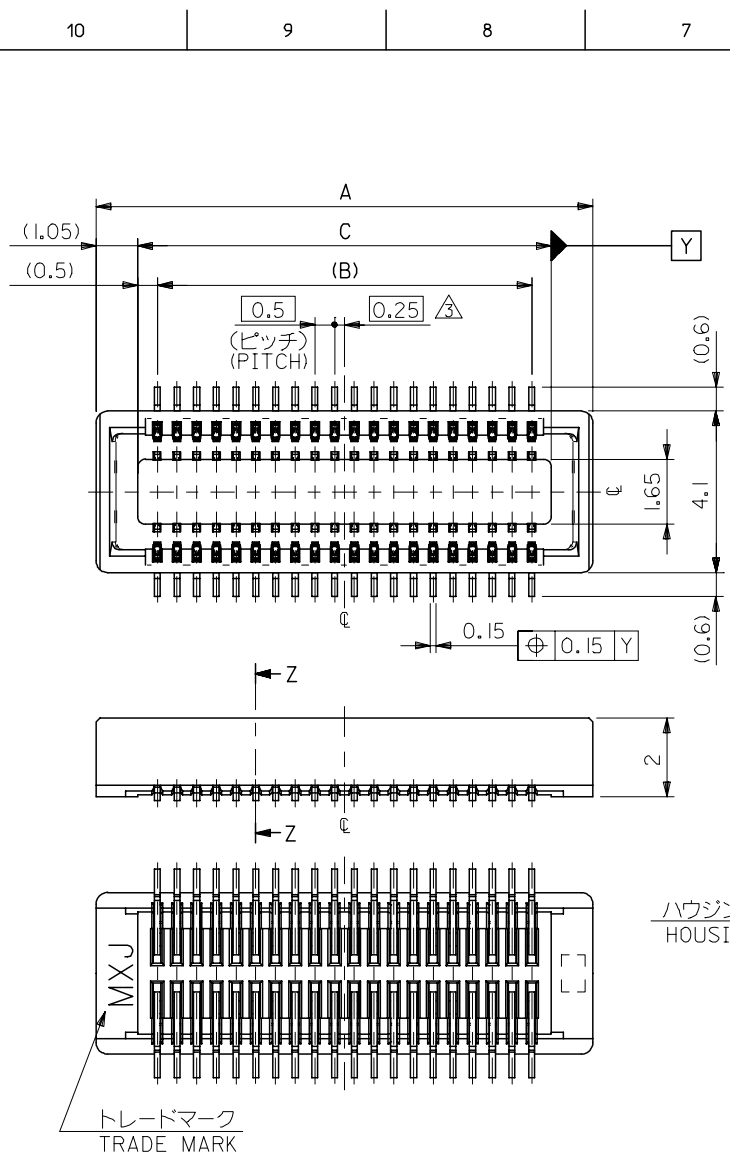
Please visit the [Contact Us](#) section for any non-product compliance questions.

**Search Parts in this Series**

[54102Series](#)

**Mates With**

[500334](#) PCB Header, [53885](#) PCB Header

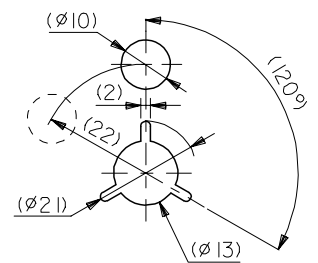
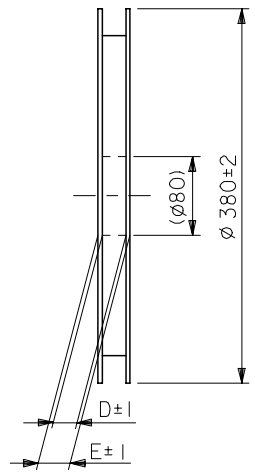
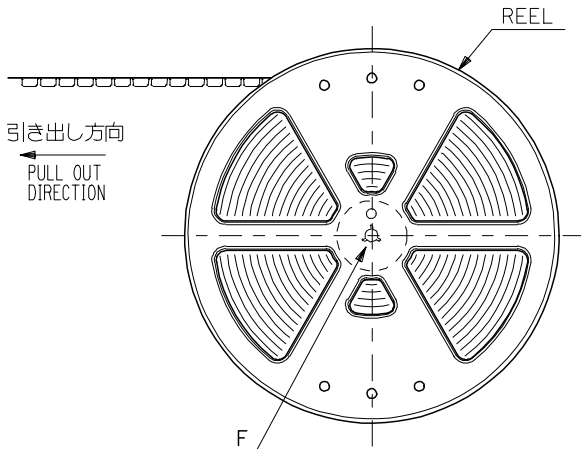


**注記 NOTES:**

1. 使用材料 MATERIAL  
ハウジング: ポリフタルアミド (P.P.A), ガラス充填, UL94V-0, 色: 黒  
HOUSING: POLYPHTHALAMIDO (PPA), GLASS FILLED UL94V-0, COLOR: BLACK  
ターミナル: リン青銅 (t=0.15)  
TERMINAL: PHOSPHOR BRONZE (t=0.15)
2. メッキ仕様 PLATING  
金メッキ 0.25 マイクロメートル以上 (コンタクト部)  
GOLD(AU) 0.25 MICROMETER MINIMUM (CONTACT AREA)  
金メッキ 0.05 マイクロメートル以上 (テール部)  
GOLD(AU) 0.05 MICROMETER MINIMUM (TAIL AREA)  
下地メッキ: ニッケルメッキ 1.5 マイクロメートル以上  
UNDER PLATING: NICKEL 1.5 MICROMETER MINIMUM  
\*コンタクト部とテール部はニッケルメッキによって分断されている金メッキです。  
DIVIDE INTO PARTS THE GOLD PLATING OF THE CONTACT PART AND THE TAIL PART BY THE NICKEL PLATING.
- △ (全極数/2) = 偶数の場合に適用。  
APPLY FOR (CIRCUIT/2) = EVEN.
- 4 嵌合相手: 53885 / 500334 シリーズ  
MATE WITH: 53885 / 500334 SERIES.
- 5 テール平坦度は、0.1MAX.  
TAIL COPLANARITY TO BE 0.1 MAXIMUM.

18.0	17.0	20.1	54102-0703	70
15.5	14.5	17.6	-0603	60
13.0	12.0	15.1	4 -0503	50
10.5	9.5	12.6	-0403	40
8.0	7.0	10.1	7 -0303	30
5.5	4.5	7.6	-0203	20
4.5	3.5	6.6	54102-0163	16
C	B	A	MATERIAL No.	極数 CIRCUIT
			MODEL No.	54102-***3

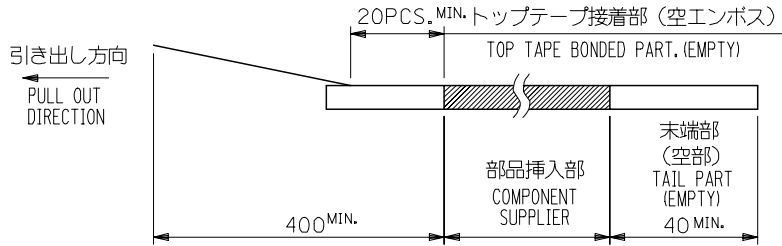
REVISED EC No: J2005-1175 DRAWN: MIMEDA 2004/10/29 CHKD: KTOYODA 2004/10/29 APPR: NUKITA 2004/11/01	GENERAL TOLERANCES (UNLESS SPECIFIED)		DIMENSION STYLE MM ONLY	SCALE ---	DESIGN UNITS METRIC	THIRD ANGLE PROJECTION
	10 UNDER	±0.2	DRAWN BY Y. SAKIYA	DATE 2004/05/06	TITLE 0.5 B-TO-B CONN REC HSG ASSY(HGT=2.5) [NI BARRIER]-LEAD FREE-	
	10 OVER 30 UNDER	±0.25	CHECKED BY M. SASAO	DATE 2004/05/06	MOLEX INCORPORATED	
	30 OVER	±0.3	APPROVED BY M. SASAO	DATE 2004/05/06	DOCUMENT NO. SD-54102-006	SHEET NO. 1 OF 1
	ANGULAR	±3 °	MATERIAL NO.	SEE CHART		
A	DRAFT WHERE APPLICABLE MUST REMAIN WITHIN DIMENSIONS		SIZE A3	THIS DRAWING CONTAINS INFORMATION THAT IS PROPRIETARY TO MOLEX INCORPORATED AND SHOULD NOT BE USED WITHOUT WRITTEN PERMISSION		



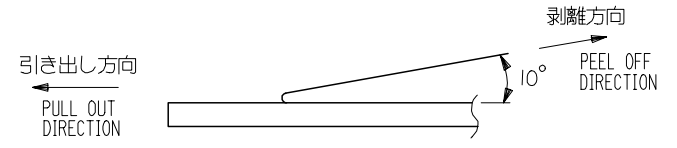
DETAIL F

NOTES

- 製品詳細寸法については図面 SD-54102-006 を参照下さい。  
RE DETAILED DIMENSION, SEE SD-54102-006.
- 梱包数量：3000個/リール  
NUMBER OF CONNECTORS : 3000PCS/REEL
- リードテープ長さ LEAD TAPE LENGTH  
20PCS. MIN. トップテープ接着部 (空エンボス)  
TOP TAPE BONDED PART. (EMPTY)



- トップテープの剥離強度：0.1～1.3N {10～130gf}  
(剥離方向は下図参照)  
尚、本規格値は出荷時に適用。(但し、輸送時に剥離が発生しないこと。)  
PEELING OFF FORCE OF TOP TAPE : 0.1～1.3N {10～130gf}  
(PEELING DIRECTION AS SHOWN IN FOLLOWING FIG.)  
THIS REQUIREMENT SHOULD BE APPLIED AT SHIPMENT.  
PEEL OFF SHOULD NOT BE ALLOWED , DURING TRANSPORTATION.



- 材料 (MATERIAL)  
キャリアテープ (CARRIER TAPE) : ポリプロピレン (POLYPROPYLENE)  
トップテープ (TOPTAPE) : PET, PE, PEF  
リール (REEL) : ポリスチレン (P.S) <リサイクル材を含む>  
POLYSTYRENE (PS) <RECYCLE MATERIAL CONTAINED>

REVISED EC NO: J2005-1175 DRAWN: MIMEDA 2004/10/29 CHKD: KTOYODA 2004/10/29 APPR: NUKITA 2004/11/01	GENERAL TOLERANCES (UNLESS SPECIFIED)		DIMENSION STYLE MM ONLY		SCALE ---	DESIGN UNITS METRIC	THIRD ANGLE PROJECTION	
	10 UNDER	±0.2	DRAWN BY Y. SAKIYA		DATE 2004/05/06	TITLE EMBSTP PKG FOR 0.5 B/B REC HSG ASSY (H=2.5) [NI BARRIER]-LEAD FREE-		
	10 OVER 30 UNDER	±0.25	CHECKED BY M. SASAO		DATE 2004/05/06	MOLEX INCORPORATED		
	30 OVER	±0.3	APPROVED BY M. SASAO		DATE 2004/05/06	DOCUMENT NO. SD-54102-007		
	ANGULAR	±3 °	MATERIAL NO. SEE CHART		SHEET NO. 1 OF 3			
A	DRAFT WHERE APPLICABLE MUST REMAIN WITHIN DIMENSIONS		SIZE A3		THIS DRAWING CONTAINS INFORMATION THAT IS PROPRIETARY TO MOLEX INCORPORATED AND SHOULD NOT BE USED WITHOUT WRITTEN PERMISSION			

10 9 8 7 6 5 4 3 2 1

F

F

E

E

D

D

C

C

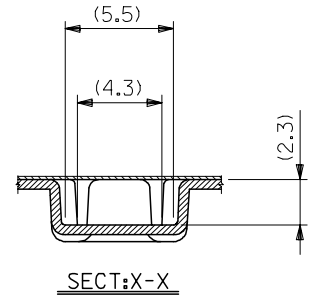
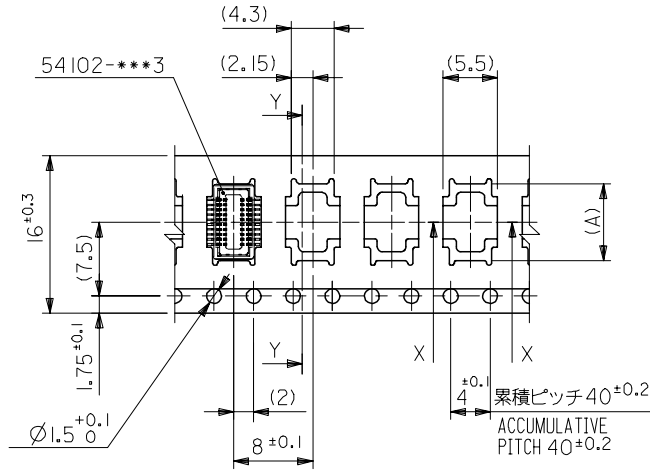
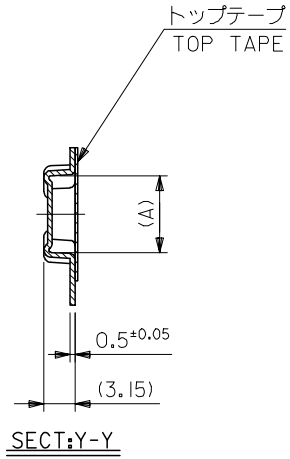
B

B

A

A

引き出し方向  
PULL OUT DIRECTION



16mm幅キャリアテープ  
16mm WIDTH CARRIER TAPE

16	21.4	17.4	7.8	54102-0204	20
			6.8	54102-0164	16
キャリアテープ幅 CARRIER TAPE WIDTH	E	D	(A)	MATERIAL NO.	極数 CIRCUITS

MODEL NO. 54102-\*\*\*4

REVISED EC NO: J2005-1175 2004/10/29 DRAWN:MIMEDA 2004/10/29 CHKD:KTOYODA 2004/11/01 APPR:NUKITA	GENERAL TOLERANCES (UNLESS SPECIFIED)		DIMENSION STYLE MM ONLY		SCALE ---	DESIGN UNITS METRIC	THIRD ANGLE PROJECTION
	10 UNDER	±0.2	DRAWN BY Y. SAKIYA	DATE 2004/05/06	TITLE EMBSTP PKG FOR 0.5 B/B REC HSG ASSY (H=2.5) [NI BARRIER]-LEAD FREE-		
	10 OVER 30 UNDER	±0.25	CHECKED BY M. SASAO	DATE 2004/05/06	MOLEX INCORPORATED		
	30 OVER	±0.3	APPROVED BY M. SASAO	DATE 2004/05/06	DOCUMENT NO. SD-54102-007		
	ANGULAR ±3 °		MATERIAL NO. SEE CHART		SHEET NO. 2 OF 3		
DRAFT WHERE APPLICABLE MUST REMAIN WITHIN DIMENSIONS		THIS DRAWING CONTAINS INFORMATION THAT IS PROPRIETARY TO MOLEX INCORPORATED AND SHOULD NOT BE USED WITHOUT WRITTEN PERMISSION					

10 9 8 7 6 5 4 3 2 1

F

E

D

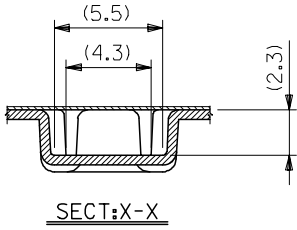
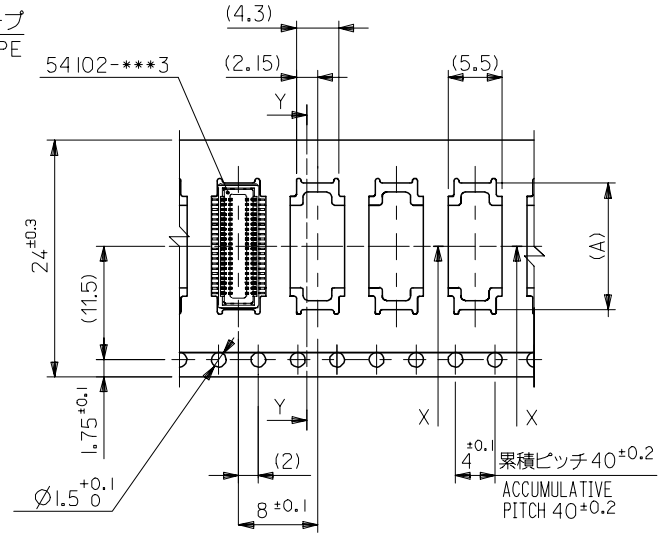
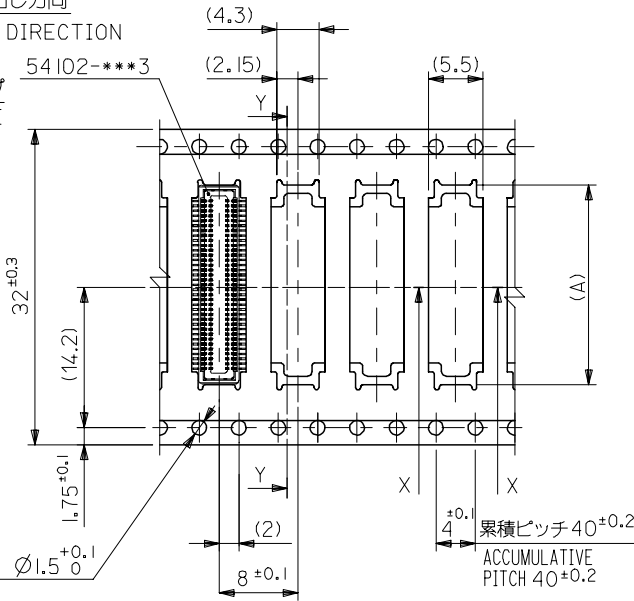
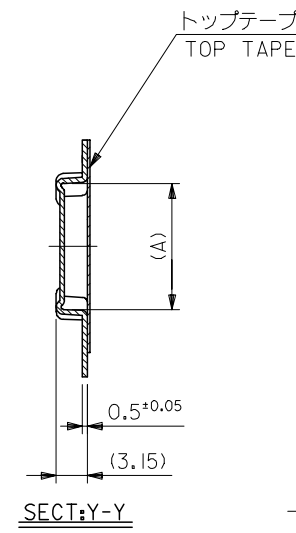
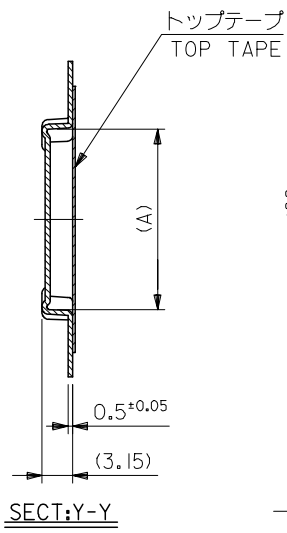
C

B

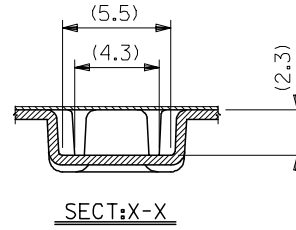
A

引き出し方向  
PULL OUT DIRECTION

引き出し方向  
PULL OUT DIRECTION



32mm幅キャリアテープ  
32mm WIDTH CARRIER TAPE



24mm幅キャリアテープ  
24mm WIDTH CARRIER TAPE

32	37.4	33.4	20.3	54102-0704	70
			17.8	54102-0604	60
			15.3	54102-0504	50
24	29.4	25.4	12.8	54102-0404	40
			10.3	54102-0304	30
キャリアテープ幅 CARRIER TAPE WIDTH	E	D	(A)	MATERIAL NO.	極数 CIRCUITS

REVISED EC NO: J2005-1175 DRAWN: MIMEDA CHKD: KTOYOYDA APPR: NUKITA 2004/10/29 2004/10/29 2004/11/01	GENERAL TOLERANCES (UNLESS SPECIFIED)		DIMENSION STYLE MM ONLY		SCALE ---	DESIGN UNITS METRIC	MODEL NO. 54102-***4
	10 UNDER	±0.2	DRAWN BY Y. SAKIYA	DATE 2004/05/06	TITLE EMBSTP PKG FOR 0.5 B/B REC HSG ASSY (H=2.5) [NI BARRIER]-LEAD FREE-		
	10 OVER 30 UNDER	±0.25	CHECKED BY M. SASAO	DATE 2004/05/06	MATERIAL NO. SEE CHART		
	30 OVER	±0.3	APPROVED BY M. SASAO	DATE 2004/05/06	DOCUMENT NO. SD-54102-007		
	ANGULAR	±3 °	DRAFT WHERE APPLICABLE MUST REMAIN WITHIN DIMENSIONS		SHEET NO. 3 OF 3		

SIZE A3 THIS DRAWING CONTAINS INFORMATION THAT IS PROPRIETARY TO MOLEX INCORPORATED AND SHOULD NOT BE USED WITHOUT WRITTEN PERMISSION



Компания «ЭлектроПласт» предлагает заключение долгосрочных отношений при поставках импортных электронных компонентов на взаимовыгодных условиях!

Наши преимущества:

- Оперативные поставки широкого спектра электронных компонентов отечественного и импортного производства напрямую от производителей и с крупнейших мировых складов;
- Поставка более 17-ти миллионов наименований электронных компонентов;
- Поставка сложных, дефицитных, либо снятых с производства позиций;
- Оперативные сроки поставки под заказ (от 5 рабочих дней);
- Экспресс доставка в любую точку России;
- Техническая поддержка проекта, помощь в подборе аналогов, поставка прототипов;
- Система менеджмента качества сертифицирована по Международному стандарту ISO 9001;
- Лицензия ФСБ на осуществление работ с использованием сведений, составляющих государственную тайну;
- Поставка специализированных компонентов (Xilinx, Altera, Analog Devices, Intersil, Interpoint, Microsemi, Aeroflex, Peregrine, Syfer, Eurofarad, Texas Instrument, Miteq, Cobham, E2V, MA-COM, Hittite, Mini-Circuits, General Dynamics и др.);

Помимо этого, одним из направлений компании «ЭлектроПласт» является направление «Источники питания». Мы предлагаем Вам помощь Конструкторского отдела:

- Подбор оптимального решения, техническое обоснование при выборе компонента;
- Подбор аналогов;
- Консультации по применению компонента;
- Поставка образцов и прототипов;
- Техническая поддержка проекта;
- Защита от снятия компонента с производства.



#### Как с нами связаться

**Телефон:** 8 (812) 309 58 32 (многоканальный)

**Факс:** 8 (812) 320-02-42

**Электронная почта:** [org@eplast1.ru](mailto:org@eplast1.ru)

**Адрес:** 198099, г. Санкт-Петербург, ул. Калинина, дом 2, корпус 4, литера А.