

REVISIONS				
SYM	ZONE	ECN, ERN NO.	DATE	APPRD.
A		PROPOSAL	2005/08/30	
B		UPDATED	APR28/08	
C		UPDATED	OCT27/09	

THIS IS A CAD DRAWING. DO NOT MANUALLY REVISE.

AMPHENOL PART NUMBER CONFIGURATION

U78 - L 1 1 2 6 - 0 0 X X 1

CONNECTOR PLATING

- 1 = 30 U" MIN. GOLD ON MATING AREA
150-300 U" TIN/LEAD ON TERMINATION
- 4 = 15 U" MIN. GOLD ON MATING AREA
150-300 U" TIN/LEAD ON TERMINATION

CAGE PLATING

- 1 = TIN PLATING
- 2 = NICKEL PLATING

MATERIAL:

CAGE:
COPPER ALLOY

PLATING:
SEE AMPHENOL PART NUMBER
CONFIGURATION FOR OPTIONS.

CONNECTOR:

PLASTIC HOUSING:
HIGH TEMPERATURE RESISTANT NYLON
FLAMMABILITY RATING UL94V-0.

CONTACTS:

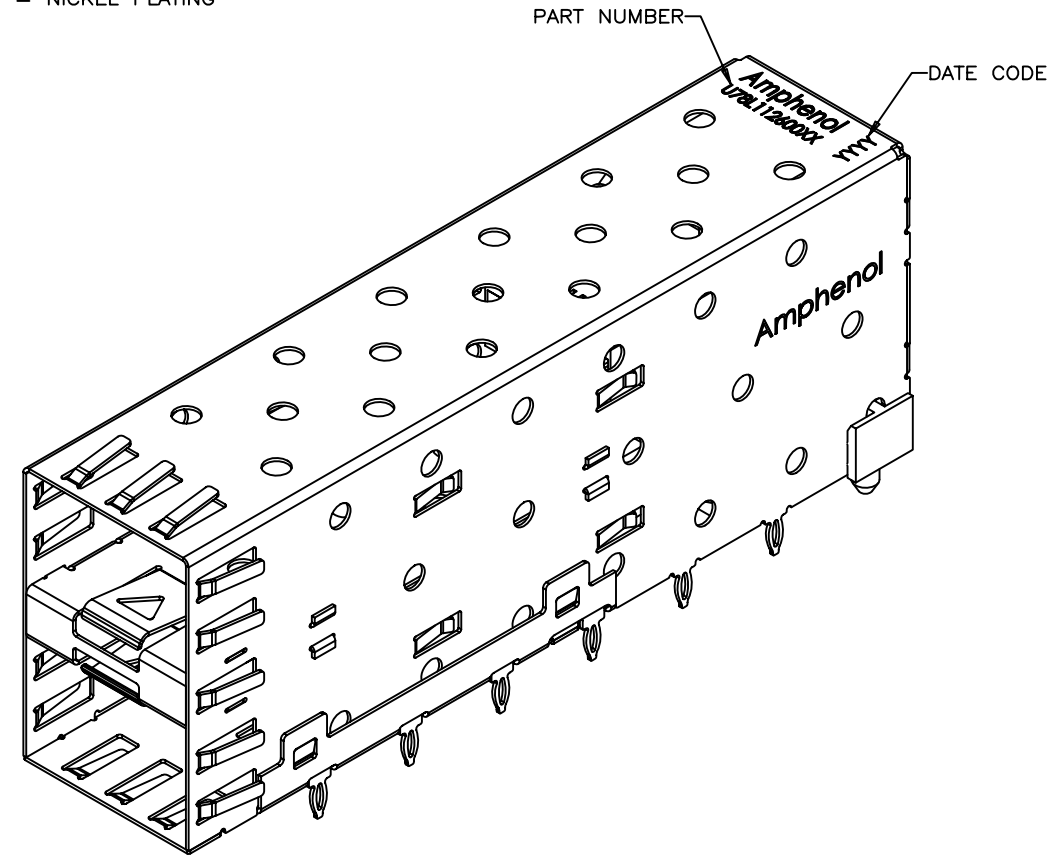
PHOSPHOR BRONZE
PLATING OPTION:
SEE AMPHENOL PART NUMBER
CONFIGURATION FOR OPTIONS.

PACKAGING:

TRAY PACKAGING.

TEMPERATURE RANGE:

-40°C TO +85°C



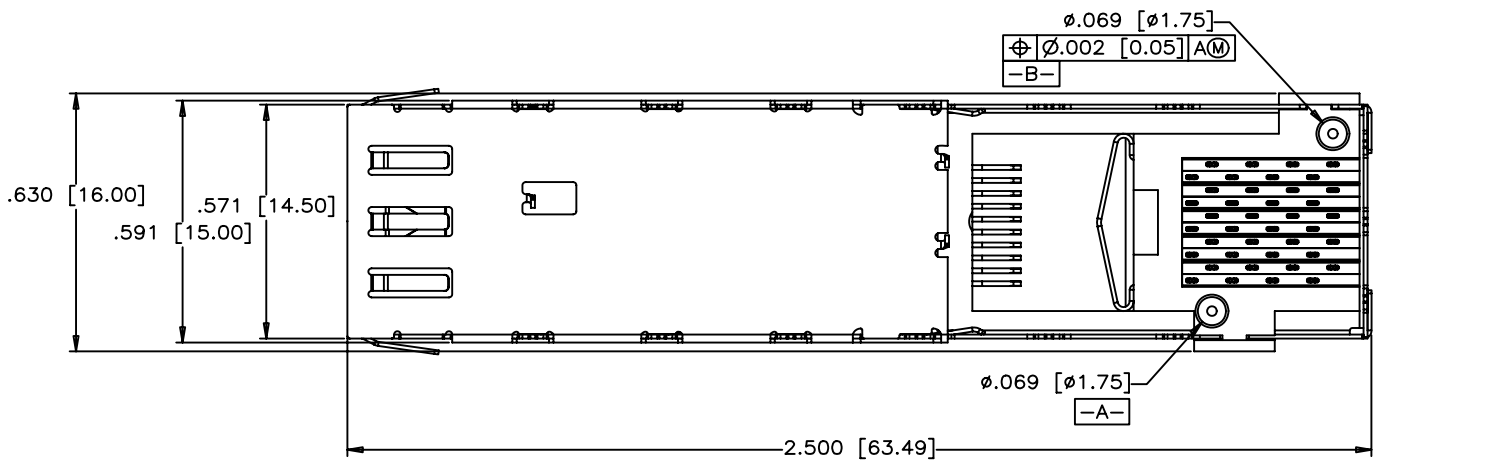
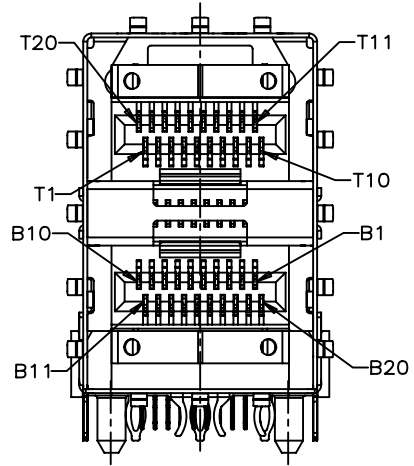
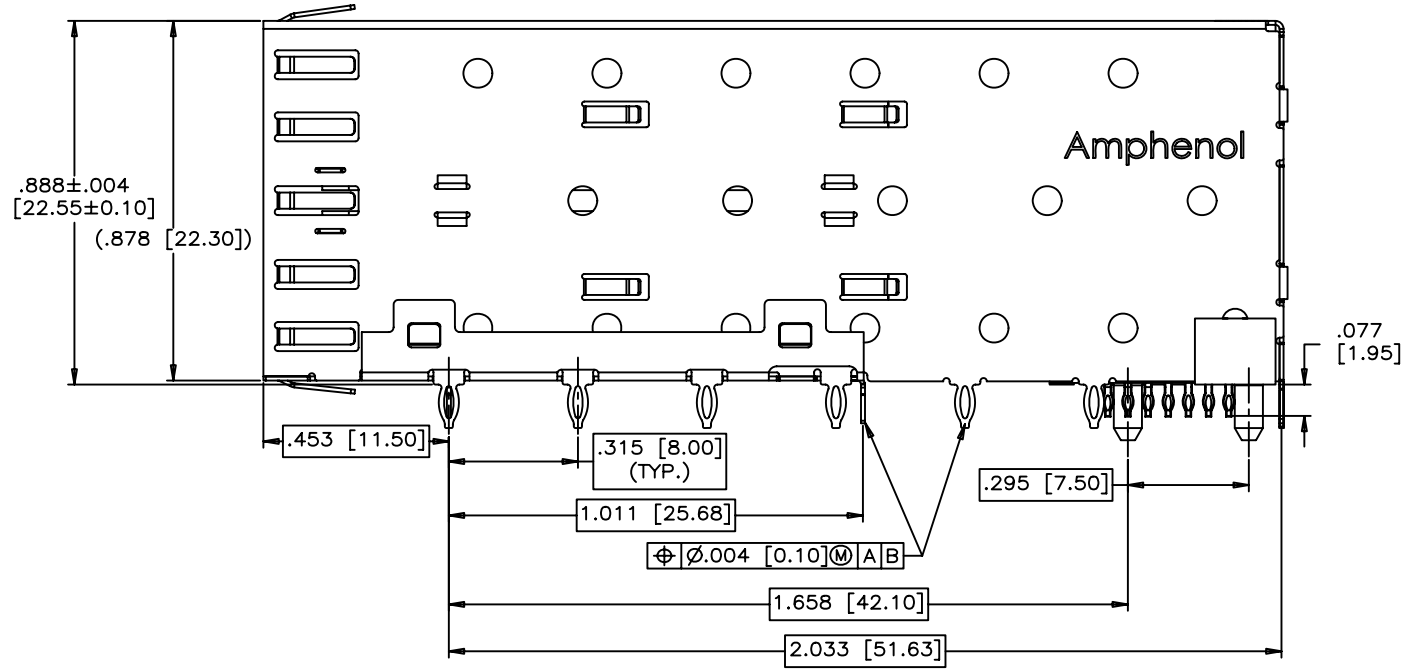
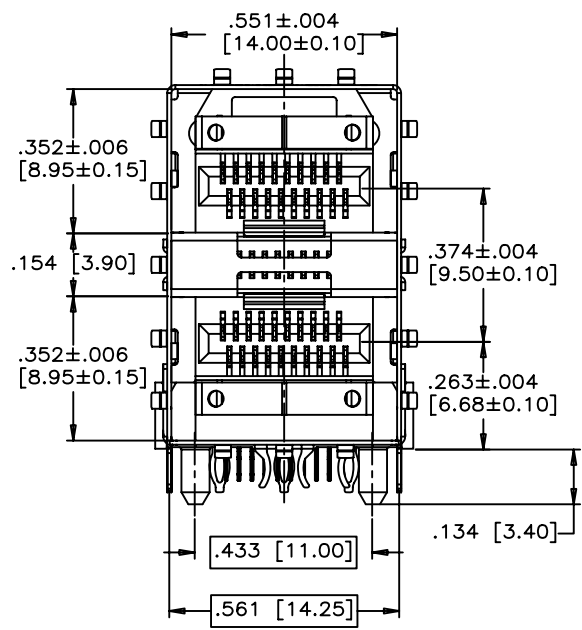
DRAWN	J.SI	DATE	2005/08/31
DESIGNED	J.SI	DATE	2005/08/31
CHECKED	X		
DWG. APPRD.			
ENG. REL. NO.			
REF.	X		
DIMENSIONS ARE IN	INCHES (mm)	CODE ID. NO.	03554

Amphenol Canada Corp.		
TITLE SFP STACKED LOW PROFILE COMBO WITH PRESS FIT PINS (CONNECTOR AND CAGE)		
DWG	DRAWING NO.	REV.
A	P-U78-L1126-00XX1	C
SCALE	2:1	SHEET 1 OF 5

THIS DOCUMENT CONTAINS PROPRIETARY INFORMATION AND SUCH INFORMATION MAY NOT BE DISCLOSED TO OTHERS FOR ANY PURPOSE OR USED FOR MANUFACTURING PURPOSES WITHOUT WRITTEN PERMISSION FROM AMPHENOL CANADA CORP.

REVISIONS				
SYM	ZONE	ECN, ERN NO.	DATE	APPRD.
A		PROPOSAL	2005/08/30	
B		UPDATED	APR28/08	
C		UPDATED	OCT27/08	

THIS IS A CAD DRAWING. DO NOT MANUALLY REVISE.



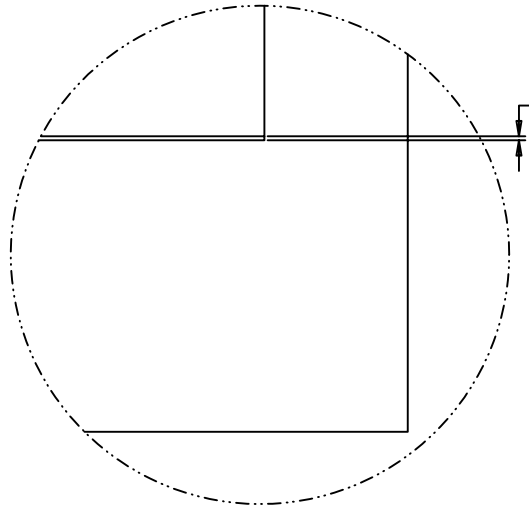
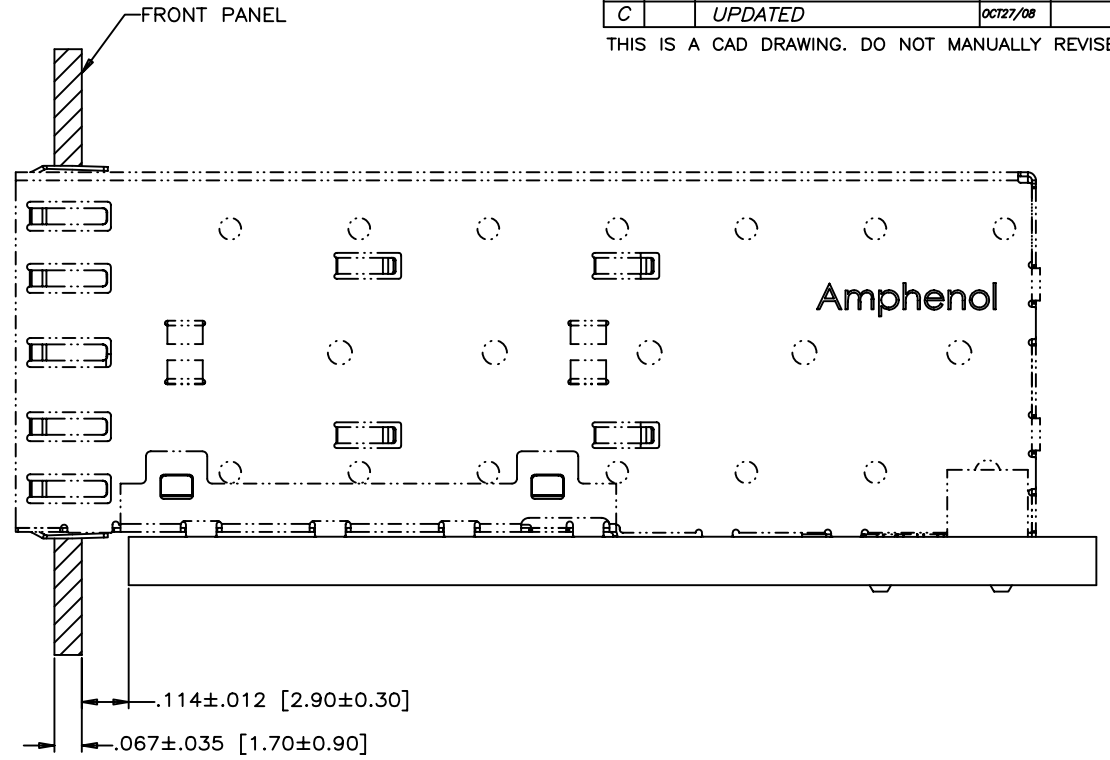
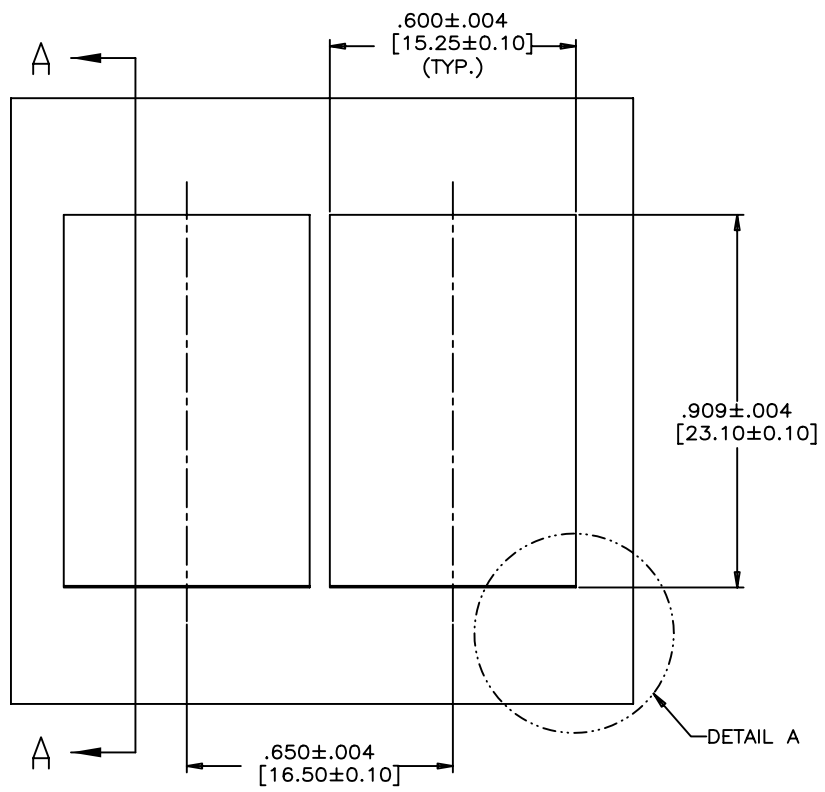
DRAWN	J.SI	DATE	2005/08/30
DESIGNED	J.SI	DATE	2005/08/30
CHECKED	X		
DWG. APPRD.			
ENG. REL. NO.			
REF.	X		
DIMENSIONS ARE IN	CODE ID. NO.		
INCHES (mm)	03554		

Amphenol Canada Corp.		
TITLE SFP STACKED LOW PROFILE COMBO WITH PRESS FIT PINS (CONNECTOR AND CAGE)		
DWG	DRAWING NO.	REV.
A	P-U78-L1126-00XX1	C
SCALE	WT.	SURF.
2:1		
SHEET 2 OF 5		

THIS DOCUMENT CONTAINS PROPRIETARY INFORMATION AND SUCH INFORMATION MAY NOT BE DISCLOSED TO OTHERS FOR ANY PURPOSE OR USED FOR MANUFACTURING PURPOSES WITHOUT WRITTEN PERMISSION FROM AMPHENOL CANADA CORP.

REVISIONS				
SYM	ZONE	ECN, ERN NO.	DATE	APPRD.
A		PROPOSAL	2005/08/30	
B		UPDATED	APR28/08	
C		UPDATED	OCT27/08	

THIS IS A CAD DRAWING. DO NOT MANUALLY REVISE.



.004±.003 [0.10±0.08]
(TOP OF PCB ABOVE
PANEL CUT OUT)

DETAIL A (SCALE 5:1)

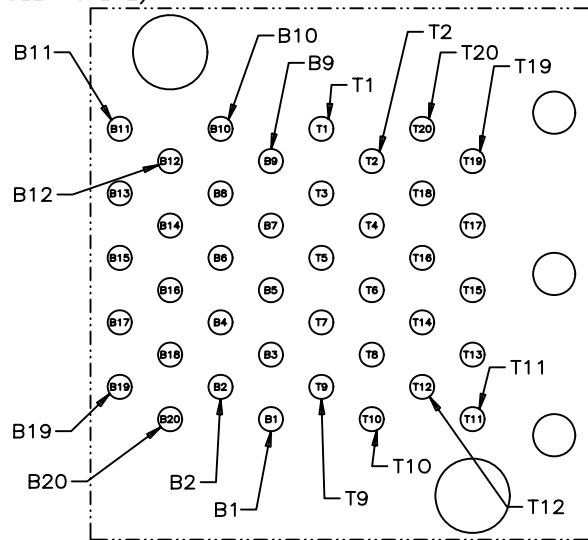
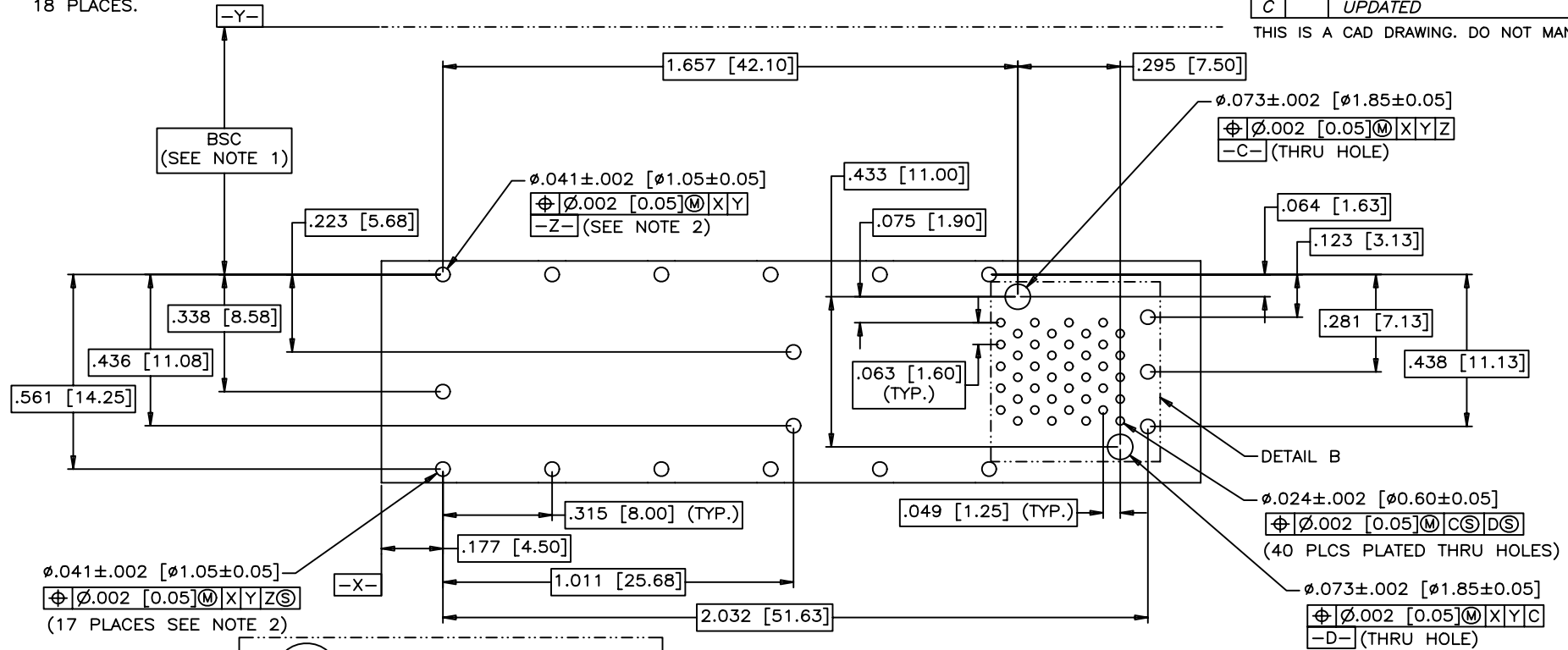
THIS DOCUMENT CONTAINS PROPRIETARY INFORMATION AND SUCH INFORMATION MAY NOT BE DISCLOSED TO OTHERS FOR ANY PURPOSE OR USED FOR MANUFACTURING PURPOSES WITHOUT WRITTEN PERMISSION FROM AMPHENOL CANADA CORP.

DRAWN	J.SI	DATE	2005/08/30	Amphenol Canada Corp.	
DESIGNED	J.SI	DATE	2005/08/30		
CHECKED	X		X	TITLE	
				SFP STACKED LOW PROFILE COMBO WITH PRESS FIT PINS (CONNECTOR AND CAGE)	
DWG. APPRD.				DWG	DRAWING NO.
ENG. REL. NO.				A	P-U78-L1126-00XX1
REF.	X			REV.	C
DIMENSIONS ARE IN	INCHES (mm)	CODE ID. NO.	03554	SCALE	2:1
				WT.	-----
				SURF.	-----
					SHEET 3 OF 5

- NOTES:
 1. DATUM AND BASIC DIMENSIONS ESTABLISHED BY CUSTOMER
 2. HOLES ARE CHASSIS GROUND, 18 PLACES.

REVISIONS				
SYM	ZONE	ECN, ERN NO.	DATE	APPRD.
A		PROPOSAL	2005/08/30	
B		UPDATED	APR28/08	
C		UPDATED	OCT27/08	

THIS IS A CAD DRAWING. DO NOT MANUALLY REVISE.



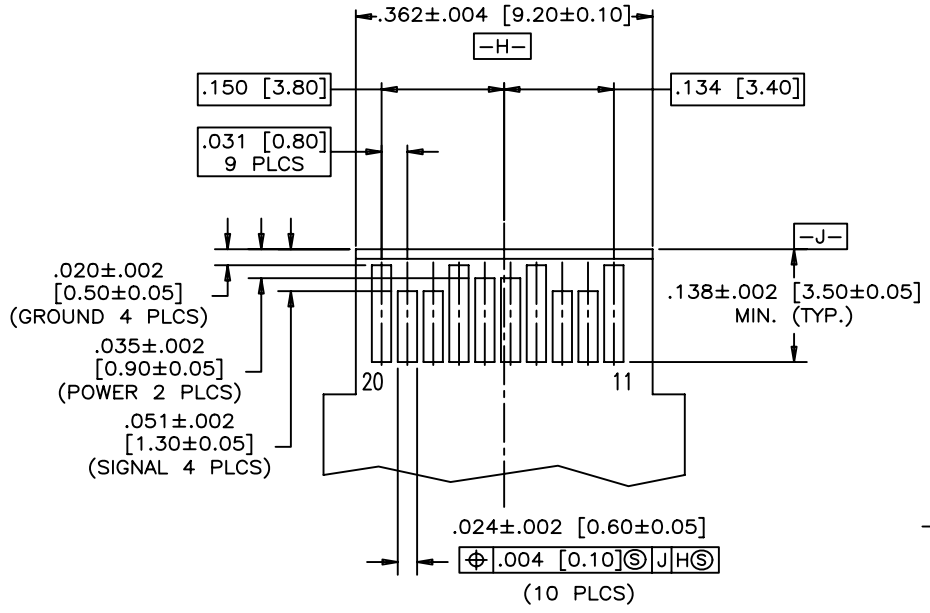
RECOMMENDED SFP HOST BOARD LAYOUT
(ONE SIDE CAGE MOUNTING)

THIS DOCUMENT CONTAINS PROPRIETARY INFORMATION AND SUCH INFORMATION MAY NOT BE DISCLOSED TO OTHERS FOR ANY PURPOSE OR USED FOR MANUFACTURING PURPOSES WITHOUT WRITTEN PERMISSION FROM AMPHENOL CANADA CORP.

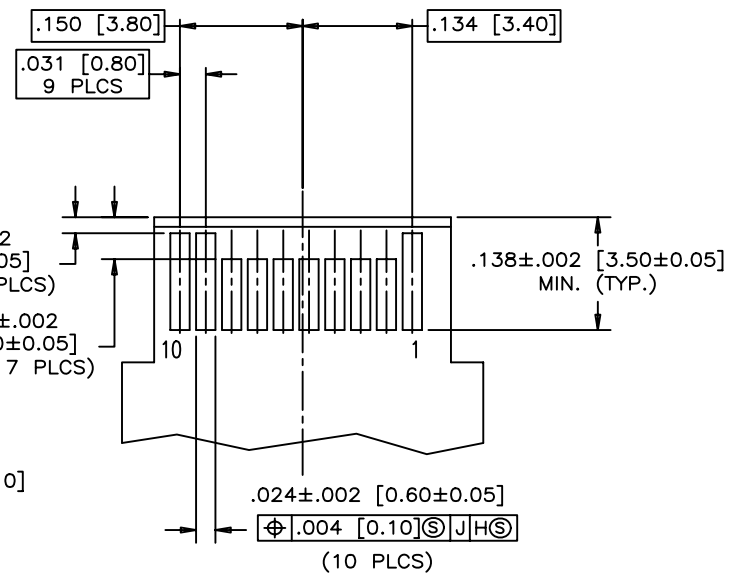
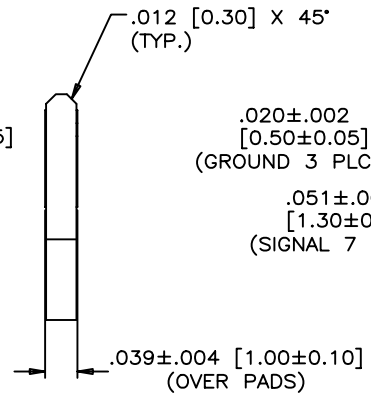
DRAWN	J.SI	DATE	2005/08/30	Amphenol Canada Corp.	
DESIGNED	J.SI	DATE	2005/08/30		
CHECKED	X		X	TITLE	
				SFP STACKED LOW PROFILE COMB WITH PRESS FIT PINS (CONNECTOR AND CAGE)	
DWG. APPRD.				DWG	DRAWING NO.
ENG. REL. NO.				A	P-U78-L1126-00XX1
REF.	X				REV. C
DIMENSIONS ARE IN	INCHES (mm)	CODE ID. NO.	03554	SCALE	2:1
				WT.	SURF.
					SHEET 4 OF 5

REVISIONS				
SYM	ZONE	ECN, ERN NO.	DATE	APPRD.
A		PROPOSAL	2005/08/30	
B		UPDATED	APR28/08	
C		UPDATED	OCT27/08	

THIS IS A CAD DRAWING. DO NOT MANUALLY REVISE.



TOP VIEW OF BOARD



BOTTOM VIEW OF BOARD

RECOMMENDED LAYOUT DETAIL
MATING TRANSCEIVER PCB

THIS DOCUMENT CONTAINS PROPRIETARY INFORMATION AND SUCH INFORMATION MAY NOT BE DISCLOSED TO OTHERS FOR ANY PURPOSE OR USED FOR MANUFACTURING PURPOSES WITHOUT WRITTEN PERMISSION FROM AMPHENOL CANADA CORP.

DRAWN	J.SI	DATE	2005/08/30	Amphenol Canada Corp.	
DESIGNED	J.SI	DATE	2005/08/30		
CHECKED	X		X		
DWG. APPRD.					
ENG. REL. NO.		DWG	A	DRAWING NO.	P-U78-L1126-00XX1
REF.	X	REV.	C	TITLE	SFP STACKED LOW PROFILE COMBO WITH PRESS FIT PINS (CONNECTOR AND CAGE)
DIMENSIONS ARE IN INCHES (mm)	CODE ID. NO.	SCALE	2:1	WT.	SURF.
	03554				SHEET 5 OF 5



Компания «ЭлектроПласт» предлагает заключение долгосрочных отношений при поставках импортных электронных компонентов на взаимовыгодных условиях!

Наши преимущества:

- Оперативные поставки широкого спектра электронных компонентов отечественного и импортного производства напрямую от производителей и с крупнейших мировых складов;
- Поставка более 17-ти миллионов наименований электронных компонентов;
- Поставка сложных, дефицитных, либо снятых с производства позиций;
- Оперативные сроки поставки под заказ (от 5 рабочих дней);
- Экспресс доставка в любую точку России;
- Техническая поддержка проекта, помощь в подборе аналогов, поставка прототипов;
- Система менеджмента качества сертифицирована по Международному стандарту ISO 9001;
- Лицензия ФСБ на осуществление работ с использованием сведений, составляющих государственную тайну;
- Поставка специализированных компонентов (Xilinx, Altera, Analog Devices, Intersil, Interpoint, Microsemi, Aeroflex, Peregrine, Syfer, Eurofarad, Texas Instrument, Miteq, Cobham, E2V, MA-COM, Hittite, Mini-Circuits, General Dynamics и др.);

Помимо этого, одним из направлений компании «ЭлектроПласт» является направление «Источники питания». Мы предлагаем Вам помощь Конструкторского отдела:

- Подбор оптимального решения, техническое обоснование при выборе компонента;
- Подбор аналогов;
- Консультации по применению компонента;
- Поставка образцов и прототипов;
- Техническая поддержка проекта;
- Защита от снятия компонента с производства.



Как с нами связаться

Телефон: 8 (812) 309 58 32 (многоканальный)

Факс: 8 (812) 320-02-42

Электронная почта: org@eplast1.ru

Адрес: 198099, г. Санкт-Петербург, ул. Калинина, дом 2, корпус 4, литера А.