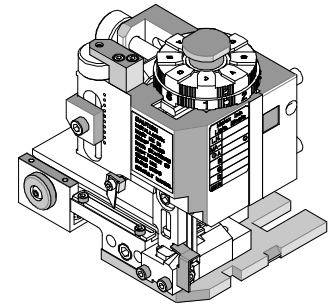




## Mini-Mac Applicator Application Tooling Specification Mechanical Feed-Front Metal Strip Order No. 63830-0500



### FEATURES

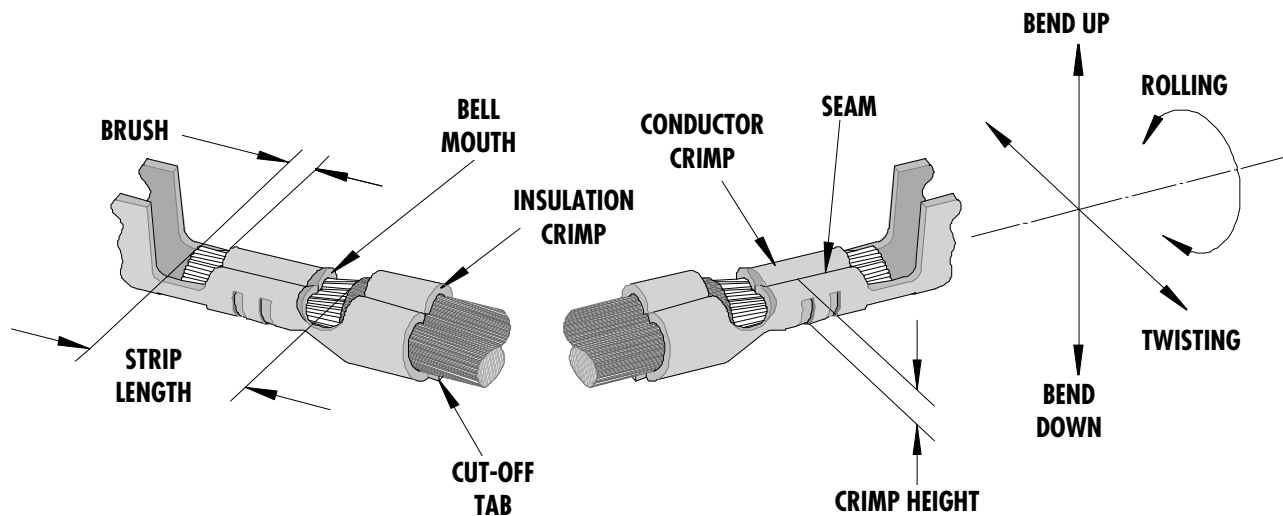
- Directly adapts to most crimp press and automatic wire processing machines
- Applicator designed to industry standard mounting and shut height of 135.80mm (5.346")
- Conductor and insulation rings allow quick adjustment for conductor and insulation crimp height change
- Quick set-up time; plus the crimp height, track and feed adjustments can be set without removing the applicator from the crimp press

### SCOPE

Terminal Series No.	Wire Size		Insulation Diameter		Strip Length	
	AWG	mm <sup>2</sup>	mm	In.	mm	In.
94518-040X	16+16	1.5+1.5	3.14 Max.	.123 Max.	5.00-5.50	.197-.216
94518-040X	18+16	0.75+1.5	3.14 Max.	.123 Max.	5.00-5.50	.197-.216
94518-040X	18+18	0.75+0.75	3.14 Max.	.123 Max.	5.00-5.50	.197-.216
94518-040X	20+16	0.5+1.5	3.14 Max.	.123 Max.	5.00-5.50	.197-.216
94518-040X	20+18	0.5+0.75	3.14 Max.	.123 Max.	5.00-5.50	.197-.216
94518-040X	20+20	0.5+0.5	3.14 Max.	.123 Max.	5.00-5.50	.197-.216

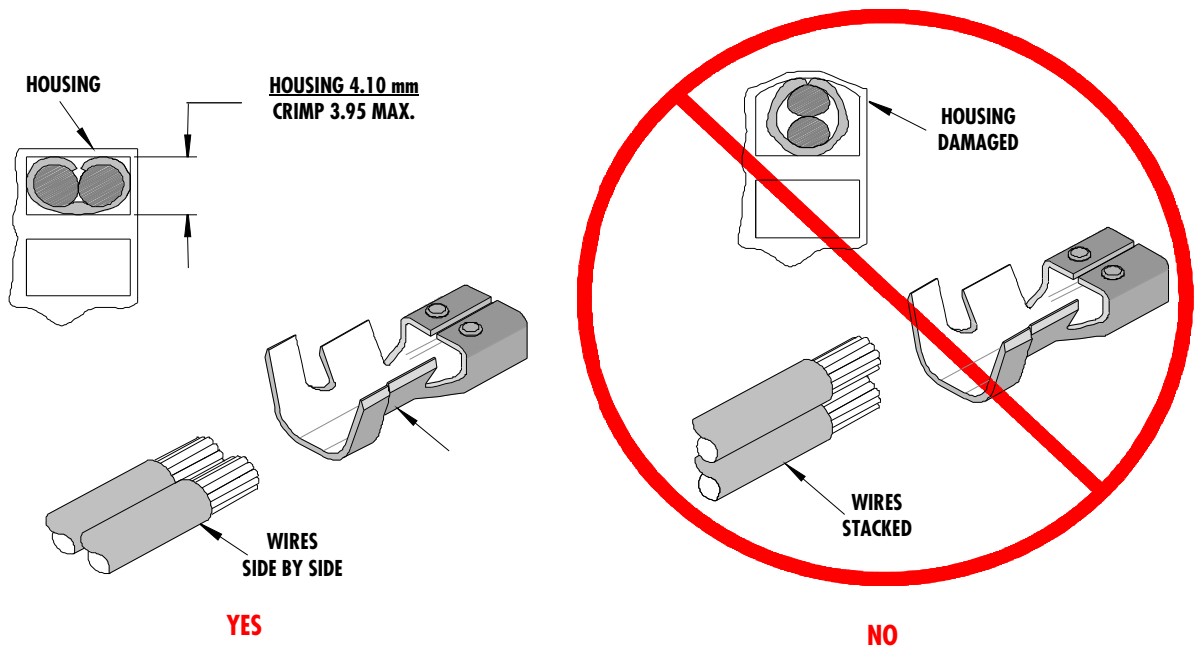
### DEFINITION OF TERMS

The following illustration is a generic terminal representation and not an exact image of any terminal listed in the scope.



### Wire Feeding Orientation

This Terminal and Connector Housing requires that the wires be crimped **side by side** to function properly, otherwise the housing and the latch may be damaged. It also may cause high insertion force to the header. See the following illustrations below.



### CRIMP SPECIFICATION

Terminal Series No.	Bell mouth		Cut-off Tab Max.		Conductor Brush	
	mm	In.	mm	In.	mm	In.
94518-040X	0.20-0.40	.008-.016	0.60	.024	0.50-1.50	.020-.059

Terminal Series No.	Bend up Bend down		Twist	Roll	Punch Width (Ref)				Seam Seam shall not be open and no wire allowed out of the crimping area
	Degree				Conductor		Insulation		
	mm	In.	mm	In.	mm	In.			
94518-040X	3	3	4	8	2.75	.108	5.50	.216	

After crimping, the crimp profiles should measure the following.

Terminal Series No.	Wire Size		Crimp Height				Crimp Width (Ref.)				Pull Force Min.	
			Conductor		Insulation (Ref.)		Conductor (Ref.)		Insulation (Ref.)			
	AWG	mm <sup>2</sup>	mm	In.	mm	In.	mm	In.	mm	In.	N	Lb.
94518-040X	16+16	1.5+1.5	1.95-2.05	.077-.081	3.70-3.80	.146-.150	2.80-2.90	.110-.114	5.50-5.70	.216-.224	176.4	39.7
94518-040X	18+16	0.75+1.5	1.95-2.05	.077-.081	3.70-3.80	.146-.150	2.80-2.90	.110-.114	5.50-5.70	.216-.224	176.4	39.7
94518-040X	18+18	0.75+0.75	1.85-1.95	.073-.077	3.45-3.55	.136-.140	2.80-2.90	.110-.114	5.50-5.70	.216-.224	176.4	39.7
94518-040X	20+16	0.5+1.5	1.85-1.95	.073-.077	3.45-3.55	.136-.140	2.80-2.90	.110-.114	5.50-5.70	.216-.224	78.2	17.6
94518-040X	20+18	0.5+0.75	1.80-1.90	.070-.075	3.40-3.50	.134-.138	2.80-2.90	.110-.114	5.50-5.70	.216-.224	78.2	17.6
94518-040X	20+20	0.5+0.5	1.75-1.85	.068-.073	3.35-3.45	.132-.136	2.80-2.90	.110-.114	5.50-5.70	.216-.224	78.2	17.6

Pull Force should be measured with no influence from the insulation crimp.

Pull force listed is for the smaller AWG wire, one wire only.

The above specifications are guidelines to an optimum crimp.

**PARTS LIST**

<b>Mini-Mac Applicator 63830-0500</b>				
<b>Item</b>	<b>Order No</b>	<b>Engineering No.</b>	<b>Description</b>	<b>Quantity</b>
<b>Perishable Tooling</b>				
	63830-0570	63830-0570	Tool Kit (All "Y" Items)	REF
1	63470-0004	63470-0004	Conductor Punch	1 Y
2	63832-0402	63832-0402	Conductor Anvil	1 Y
3	63471-0006	63471-0006	Insulation Punch	1 Y
4	63832-0408	63832-0408	Insulation Anvil	1 Y
11	63832-0406	63832-0406	Cut-off Plunger Front	1 Y
13	63443-0036	63443-0036	Plunger Retainer Front	1 Y
<b>Other Components</b>				
21	63830-0505	63830-0505	Cut-off Plunger Striker Front	1
23	63443-0009	63443-0009	Scrap Chute Front	1
25	63700-0539	63700-0539	Cut-Off Plunger Spring	1
31	63443-2126	63443-2126	Anvil Mount	1
33	63443-0021	63443-0021	Lower Tooling Key	1
45	11-18-4080	60707-5	Wire Stop	1
52	63443-0062	63443-0062	Collar-8.00 Lg.	1
54	63832-0407	63832-0407	Wire Locator	1
57	63700-3597	63700-3597	Wire Locator Spring	1
72	11-18-4083	60707-8	Feed Guide	1
73	63443-6015	63443-6015	Rear Cover	1
<b>Frame</b>				
81	63800-4300	63800-4300	Mini-Mac Applicator Frame	REF
<b>Hardware</b>				
91	N/A	N/A	M3 by 6 Lg. SHCS	2**
92	N/A	N/A	M4 by 6 Lg SHCS	1**
93	N/A	N/A	M4 by 12 Lg SHCS	2**
94	N/A	N/A	M4 by 50 Lg. SHCS	2**
95	N/A	N/A	M5 by 12 Lg. SHCS	1**
96	N/A	N/A	M8 by 30 Lg. BHCS	1**
97	N/A	N/A	3mm by 6 Lg. Roll Pin	1**
98	N/A	N/A	M5 by 10 Lg. BHCS	1**
99	N/A	N/A	M6 by 10 Lg. BHCS	2**
** Available from an industrial supply company such as MSC (1-800-645-7270).				

# Assembly Drawing

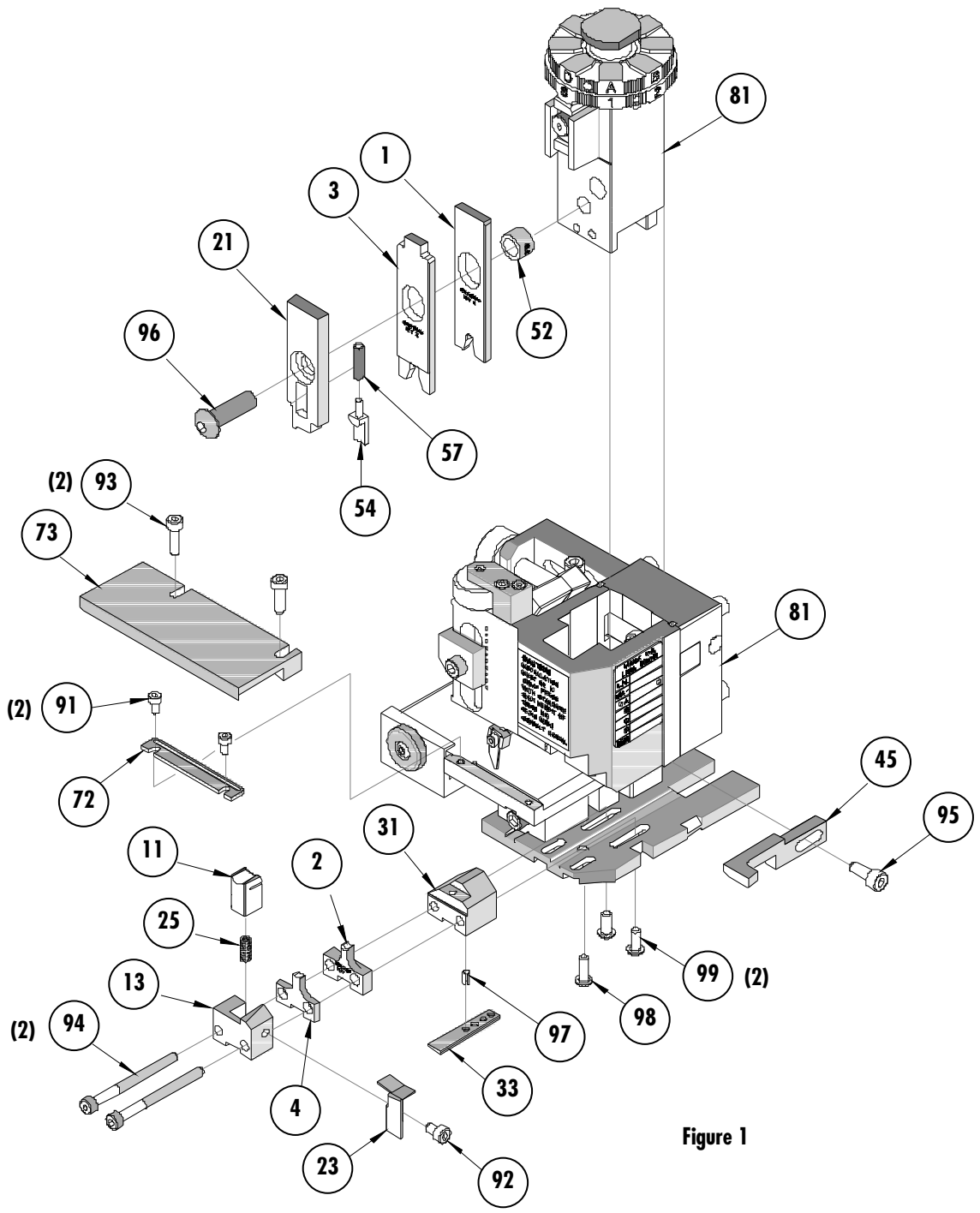


Figure 1

## NOTES

1. Molex recommends an extra perishable tooling kit be maintained at your facility.
2. Verify tooling alignment by manually cycling the press with Applicator before crimping under power. Check that all screws are tight.
3. Slugs, Terminals, Dirt and Oil should be kept clear of work area.
4. Wear safety glasses at all times.
5. For recommended maintenance refer to the Mini-Mac Applicator Manual (Document no. 63880-0000).

**CAUTION:** This applicator should only be used in a press with a shut height of 135.80 mm (5.346"). Tooling damage could result at a lower setting.

**CAUTION:** To prevent injury never operate this Applicator without the guards supplied with the press or wire-processing machine in place. Reference the press or wire processing manufacturer's instruction manual.

**CAUTION:** Molex crimp specifications are valid only when used with Molex terminals, applicators and tooling.

## Contact Information

For more information on Molex Application Tooling please contact Molex at 1-800-786-6539.

### **Molex Application Tooling Group**

1150 E. Diehl Road  
Naperville, IL 60563  
Tel: (630) 969-4550  
Fax: (630) 505-0049

Visit our Web site at <http://www.molex.com>



Компания «ЭлектроПласт» предлагает заключение долгосрочных отношений при поставках импортных электронных компонентов на взаимовыгодных условиях!

Наши преимущества:

- Оперативные поставки широкого спектра электронных компонентов отечественного и импортного производства напрямую от производителей и с крупнейших мировых складов;
- Поставка более 17-ти миллионов наименований электронных компонентов;
- Поставка сложных, дефицитных, либо снятых с производства позиций;
- Оперативные сроки поставки под заказ (от 5 рабочих дней);
- Экспресс доставка в любую точку России;
- Техническая поддержка проекта, помощь в подборе аналогов, поставка прототипов;
- Система менеджмента качества сертифицирована по Международному стандарту ISO 9001;
- Лицензия ФСБ на осуществление работ с использованием сведений, составляющих государственную тайну;
- Поставка специализированных компонентов (Xilinx, Altera, Analog Devices, Intersil, Interpoint, Microsemi, Aeroflex, Peregrine, Syfer, Eurofarad, Texas Instrument, Miteq, Cobham, E2V, MA-COM, Hittite, Mini-Circuits, General Dynamics и др.);

Помимо этого, одним из направлений компании «ЭлектроПласт» является направление «Источники питания». Мы предлагаем Вам помощь Конструкторского отдела:

- Подбор оптимального решения, техническое обоснование при выборе компонента;
- Подбор аналогов;
- Консультации по применению компонента;
- Поставка образцов и прототипов;
- Техническая поддержка проекта;
- Защита от снятия компонента с производства.



#### Как с нами связаться

**Телефон:** 8 (812) 309 58 32 (многоканальный)

**Факс:** 8 (812) 320-02-42

**Электронная почта:** [org@eplast1.ru](mailto:org@eplast1.ru)

**Адрес:** 198099, г. Санкт-Петербург, ул. Калинина, дом 2, корпус 4, литера А.