

# PPC-F H81 Series

**New**



## Intelligent Industrial Panel PC

- Support IEI iRIS-2400 IEI remote intelligent solution
- Scalable Intel® H81 chipset supports LGA1150 Intel® 4th generation Core™ i7/i5/i3, Pentium® or Celeron® processor with up to 65W TDP
- Robust IP65 aluminum front bezel
- Aesthetic ultra-thin bezel for seamless panel mount installation
- Projected capacitive multi-touch
- Dual full-size PCIe Mini card expansion
- AC/DC power input options (DC model by build to order manufacturing)



### Specifications

| Model                           |                                       | PPC-F15A   | PPC-F17A  | PPC-F22A   | PPC-F24A  |
|---------------------------------|---------------------------------------|--|---|--|---|
| LCD                             | LCD Display                           | 15" (4:3)  | 17" (5:4)   | 21.5" (16:9)   | 24" (16:9)  |
|                                 | Max. Resolution                       | 1024(W) x 768(H)   | 1280(W) x 1024(H)   | 1920(W) x 1080(H)  | 1920(W) x 1080(H)   |
|                                 | Brightness (cd/m <sup>2</sup> )       | 450  | 350   | 250  | 250   |
|                                 | Contrast Ratio                        | 800 : 1  | 800 : 1   | 1000 : 1   | 3000 : 1  |
|                                 | LCD Color                             | 16.2M  | 16.7M   | 16.7M  | 16.7M   |
|                                 | Pixel Pitch (mm)                      | 0.297 x 0.297  | 0.26 x 0.26   | 0.25 x 0.25  | 0.28 x 0.28   |
|                                 | Viewing Angle (H-V)                   | 160° / 150°  | 170° / 160°   | 170° / 160°  | 178° / 178°   |
|                                 | Backlight MTBF (hrs)                  | 70000  | 50000   | 30000  | 30000   |
| Motherboard                     | SBC Model                             | FPPCMB-H81-R10   |   |  |   |
|                                 | CPU                                   | LGA1150 Intel® 4th generation Core™ i7/i5/i3, Pentium® or Celeron® processor with up to 65W TDP  |   |  |   |
|                                 | Chipset                               | Intel® H81   |   |  |   |
|                                 | RAM                                   | Support 2 x 204-pin 1066/1333/1600 MHz dual-channel DDR3 SO-DIMM slots (max. 16GB)   |   |  |   |
| Touch                           | Touchscreen & Controller              | 5-wire resistive type single touch window (Penmount 6000), 3H<br>2-point projected capacitive touch window (EETI EXC7200), 6H  |   | 2-point projected capacitive touch window (EETI EXC7200), 6H | 2-point projected capacitive touch window (EETI EXC7200), 6H  |
|                                 |                                       | Input Interfaces   | 2 x RJ-45 LAN Port<br>2 x USB 3.0<br>4 x USB 2.0<br>1 x HDMI output<br>4 x RS-232<br>1 x RS-422/485<br>1 x MIC-in<br>1 x Line-out |  | 1 x VGA output<br>1 x AC/DC power plug (DC model is by build to order manufacturing)<br>1 x AT/ATX switch<br>1 x Clear CMOS<br>1 x Reset button<br>1 x Power switch |
| Expansion                       |                                       |  | 1 x Full-size PCIe Mini card<br>1 x Full-size PCIe Mini card co-lay mSATA (SATA2 only)  |  |   |
| Drive Bay                       |                                       | 1 x 2.5" HDD/SSD drive bay   |   | 1 x 2.5" HDD/SSD drive bay or 1 x 3.5" HDD/SSD drive bay     |   |
| iRIS Remote Management Solution |                                       | iRIS-2400 (optional)   |   |  |   |
| Physical                        | Construction Material                 | Aluminum front cover and sheet metal rear cover  |   |  |   |
|                                 | Mounting                              | Panel mount, rack mount, 100x100 VESA mount  |   | Panel mount, 100x100 VESA mount                              |   |
|                                 | Enclosure Color                       | Black C  |   |  |   |
|                                 | Dimensions (mm)                       | 303 x 378.5 x 65.7   | 341.4 x 408.4 x 73.8  | 350.4 x 550.4 x 71.7   | 382 x 600 x 71.7  |
|                                 | Cutout Dimensions (mm)                | 285.6 x 361.1  | 323 x 390   | 341 x 536  | 359.6 x 577.6   |
|                                 | Net/ Gross Weight (kg)                | 5.6/ 8.3   | 7.5/10.7  | 10.1/14.4  | 10.5/14.8   |
| Environment                     | Operating Temperature (with air flow) | -10°C ~ 50°C   |   |  |   |
|                                 | Storage Temperature                   | -20°C ~ 60°C   |   |  |   |
|                                 | Humidity                              | 10% to 95% (non-condensing)  |   |  |   |
|                                 | IP Level                              | Front IP 65  |   |  |   |
|                                 | Safety and EMC                        | CE & FCC certified   |   |  |   |
| Power Supply                    | AC Input                              | AC input ATX power supply<br>- P/N: ACE-A662B-RS-10<br>- 220W power supply<br>- Input: 90VAC-264VAC, 50/60Hz<br>- Output (max.): 3.3V@14A, 5V@16A, 12V1@16A, 12V2@10A, -12V@0.8A |   |  |   |
|                                 | DC Input (produced by order)          | DC input ATX power supply<br>- P/N: ACE-4520C-RS<br>- 200W power supply<br>- Input: 24VDC, 15A (max)<br>- Output (max.): 3.3V@12A, 5V@12A, 12V@15.4A, -12V@0.5A                  |   |  |   |
| Power Consumption               |                                       | 80W  | 100W  | 110W   | 120W  |

## Ordering Information

| Part Number | Description   |
|-------------|---|
| 15"         | PPC-F15AA-H81i-P/4G/R-R20<br>15" 400 cd/m <sup>2</sup> XGA Panel PC with Intel® H81 chipset, Intel® Pentium® Processor G3420 (3M Cache, 3.20 GHz), TDP 53W, 2GB RAM*2, support iRIS-2400, black color, PSU ACE-A622B, resistive touch window, R20                           |
|             | PPC-F15AA-H81i-i3/4G/R-R20<br>15" 400 cd/m <sup>2</sup> XGA Panel PC with Intel® H81 chipset, Core i3 Dual Core i3-4330 Processor (4M Cache, 3.50 GHz), TDP 54W, 2GB RAM*2, support iRIS-2400, black color, PSU ACE-A622B, resistive touch window, R20                      |
|             | PPC-F15AA-H81i-i5/4G/R-R20<br>15" 400 cd/m <sup>2</sup> XGA Panel PC with Intel® H81 chipset, Core i5 Quad Core i5-4570S Processor (6M Cache, up to 3.60 GHz), TDP 65W, 2GB RAM*2, support iRIS-2400, black color, PSU ACE-A622B, resistive touch window, R20               |
|             | PPC-F15AA-H81i-P/4G/PC-R20<br>15" 400 cd/m <sup>2</sup> XGA Panel PC with Intel® H81 chipset, Intel® Pentium® Processor G3420 (3M Cache, 3.20 GHz), TDP 53W, 2GB RAM*2, support iRIS-2400, black color, PSU ACE-A622B, projective capacitive touch window, R20              |
|             | PPC-F15AA-H81i-i3/4G/PC-R20<br>15" 400 cd/m <sup>2</sup> XGA Panel PC with Intel® H81 chipset, Core i3 Dual Core i3-4330 Processor (4M Cache, 3.50 GHz), TDP 54W, 2GB RAM*2, support iRIS-2400, black color, PSU ACE-A622B, projective capacitive touch window, R20         |
|             | PPC-F15AA-H81i-i5/4G/PC-R20<br>15" 400 cd/m <sup>2</sup> XGA Panel PC with Intel® H81 chipset, Core i5 Quad Core i5-4570S Processor (6M Cache, up to 3.60 GHz), TDP 65W, 2GB RAM*2, support iRIS-2400, black color, PSU ACE-A622B, projective capacitive touch window, R20  |
| 17"         | PPC-F17AA-H81i-P/4G/R-R11<br>17" 350 cd/m <sup>2</sup> SXGA Panel PC with Intel® H81 chipset, Intel® Pentium® Processor G3420 (3M Cache, 3.20 GHz), TDP 53W, 2GB RAM*2, support iRIS-2400, black color, PSU ACE-A622B, resistive touch window, R11                          |
|             | PPC-F17AA-H81i-i3/4G/R-R11<br>17" 350 cd/m <sup>2</sup> SXGA Panel PC with Intel® H81 chipset, Core i3 Dual Core i3-4330 Processor (4M Cache, 3.50 GHz), TDP 54W, 2GB RAM*2, support iRIS-2400, black color, PSU ACE-A622B, resistive touch window, R11                     |
|             | PPC-F17AA-H81i-i5/4G/R-R11<br>17" 350 cd/m <sup>2</sup> SXGA Panel PC with Intel® H81 chipset, Core i5 Quad Core i5-4570S Processor (6M Cache, up to 3.60 GHz), TDP 65W, 2GB RAM*2, support iRIS-2400, black color, PSU ACE-A622B, resistive touch window, R11              |
|             | PPC-F17AA-H81i-P/4G/PC-R11<br>17" 350 cd/m <sup>2</sup> SXGA Panel PC with Intel® H81 chipset, Intel® Pentium® Processor G3420 (3M Cache, 3.20 GHz), TDP 53W, 2GB RAM*2, support iRIS-2400, black color, PSU ACE-A622B, projective capacitive touch window, R11             |
|             | PPC-F17AA-H81i-i3/4G/PC-R11<br>17" 350 cd/m <sup>2</sup> SXGA Panel PC with Intel® H81 chipset, Core i3 Dual Core i3-4330 Processor (4M Cache, 3.50 GHz), TDP 54W, 2GB RAM*2, support iRIS-2400, black color, PSU ACE-A622B, projective capacitive touch window, R11        |
|             | PPC-F17AA-H81i-i5/4G/PC-R11<br>17" 350 cd/m <sup>2</sup> SXGA Panel PC with Intel® H81 chipset, Core i5 Quad Core i5-4570S Processor (6M Cache, up to 3.60 GHz), TDP 65W, 2GB RAM*2, support iRIS-2400, black color, PSU ACE-A622B, projective capacitive touch window, R11 |
| 21.5"       | PPC-F22AA-H81i-P/4G/PC-R11<br>21.5" 250 cd/m <sup>2</sup> FHD Panel PC with Intel H81 chipset, Intel® Pentium® Processor G3420 (3M Cache, 3.20 GHz), TDP 53W, 2GB RAM*2, support iRIS-2400, black color, PSU ACE-A622B, projective capacitive touch window, R11             |
|             | PPC-F22AA-H81i-i3/4G/PC-R11<br>21.5" 250 cd/m <sup>2</sup> FHD Panel PC with Intel H81 chipset, Core i3 Dual Core i3-4330 Processor (4M Cache, 3.50 GHz), TDP 54W, 2GB RAM*2, support iRIS-2400, black color, PSU ACE-A622B, projective capacitive touch window, R11        |
|             | PPC-F22AA-H81i-i5/4G/PC-R11<br>21.5" 250 cd/m <sup>2</sup> FHD Panel PC with Intel H81 chipset, Core i5 Quad Core i5-4570S Processor (6M Cache, up to 3.60 GHz), TDP 65W, 2GB RAM*2, support iRIS-2400, black color, PSU ACE-A622B, projective capacitive touch window, R11 |
| 24"         | PPC-F24AA-H81i-P/4G/PC-R11<br>24" 250 cd/m <sup>2</sup> FHD Panel PC with Intel H81 chipset, Intel® Pentium® Processor G3420 (3M Cache, 3.20 GHz), TDP 53W, 2GB RAM*2, support iRIS-2400, black color, PSU ACE-A622B, projective capacitive touch window, R11               |
|             | PPC-F24AA-H81i-i3/4G/PC-R11<br>24" 250 cd/m <sup>2</sup> FHD Panel PC with Intel H81 chipset, Core i3 Dual Core i3-4330 Processor (4M Cache, 3.50 GHz), TDP 54W, 2GB RAM*2, support iRIS-2400, black color, PSU ACE-A622B, projective capacitive touch window, R11          |
|             | PPC-F24AA-H81i-i5/4G/PC-R11<br>24" 250 cd/m <sup>2</sup> FHD Panel PC with Intel H81 chipset, Core i5 Quad Core i5-4570S Processor (6M Cache, up to 3.60 GHz), TDP 65W, 2GB RAM*2, support iRIS-2400, black color, PSU ACE-A622B, projective capacitive touch window, R11   |

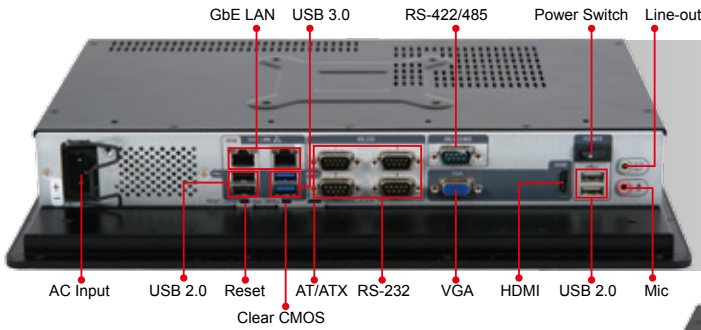
\* DC power supply SKU is available with particular purchase, please contact sales team.

## Options

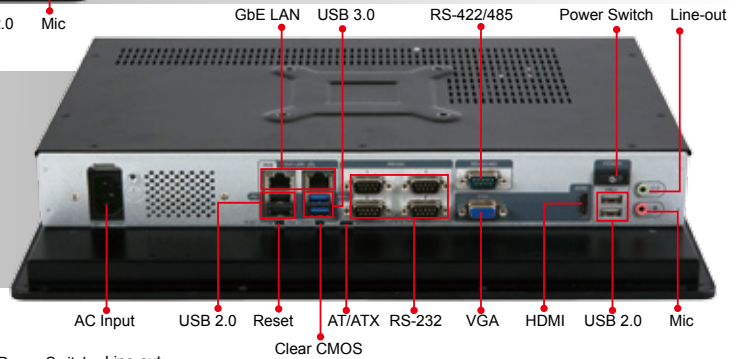
| Item                                     | PPC-F15A                                   | PPC-F17A                       | PPC-F22A                       | PPC-F24A                       |
|--|--|--------------------------------|--------------------------------|--------------------------------|
| Arm                                      | ARM-31-RS                                  | ARM-31-RS                      | ARM-31-RS                      | ARM-31-RS                      |
| Stand                                    | STAND-A21<br>STAND-A19-RS<br>STAND-C19-R10 | STAND-C19-R10<br>STAND-A21-R10 | STAND-C19-R10<br>STAND-A21-R10 | STAND-C19-R10<br>STAND-A21-R10 |
| Wall Mount Kit                           | WK-190MS-R10                               |                                |                                |                                |
| Panel Mount Kit                          | FPK-04-R10                                 |                                | FPK-05-R10                     | FPK-06-R10                     |
| Rack Mount Kit                           | FRK15-R10                                  | FRK17-R10                      | N/A                            |                                |
| Wi-Fi Kit                                | PPC-WL-KIT03-R11                           |                                |                                |                                |
| iRIS (IEI Remote Intelligent System) Kit | iRIS-2400-R10                              |                                |                                |                                |

## Packing List

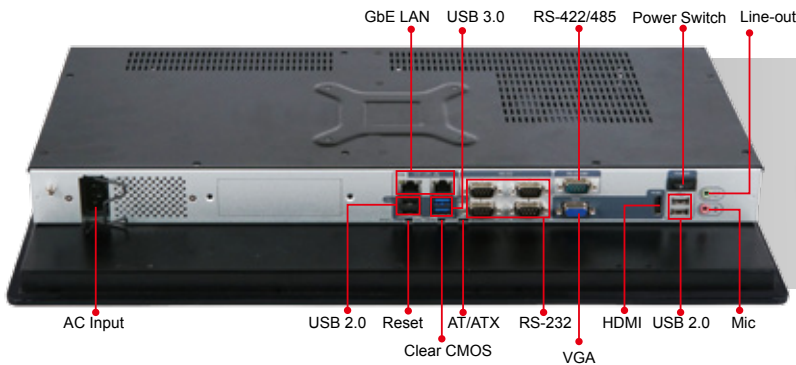
| Item                | Q'ty | Remark                     |
|---------------------|------|----------------------------|
| Driver CD           | 1    |                            |
| One Key Recovery CD | 1    |                            |
| Power Cord          | 1    | Depends on shipping region |
| Screw Kit           | 1    |                            |
| Touch Pen           | 1    | Resistive touch only       |



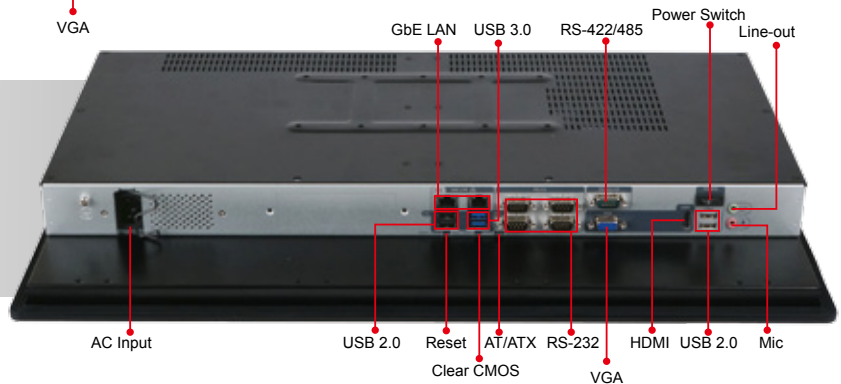
PPC-F15A



PPC-F17A



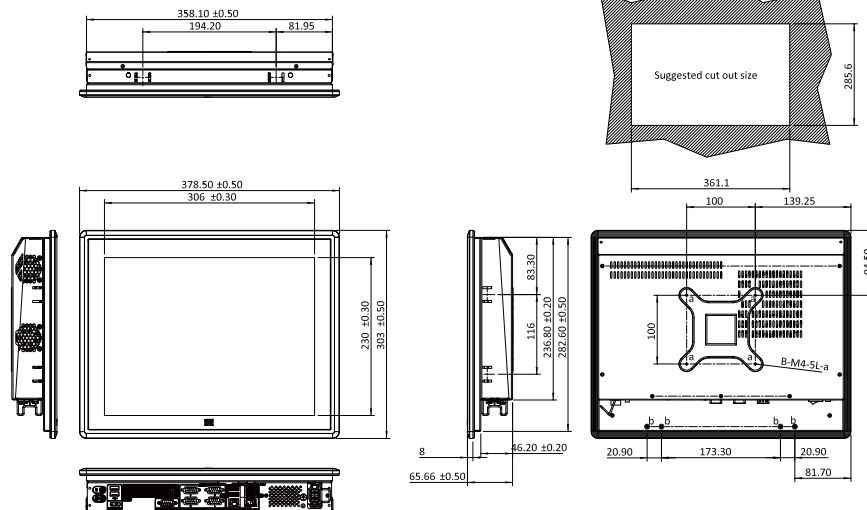
PPC-F22A



PPC-F24A

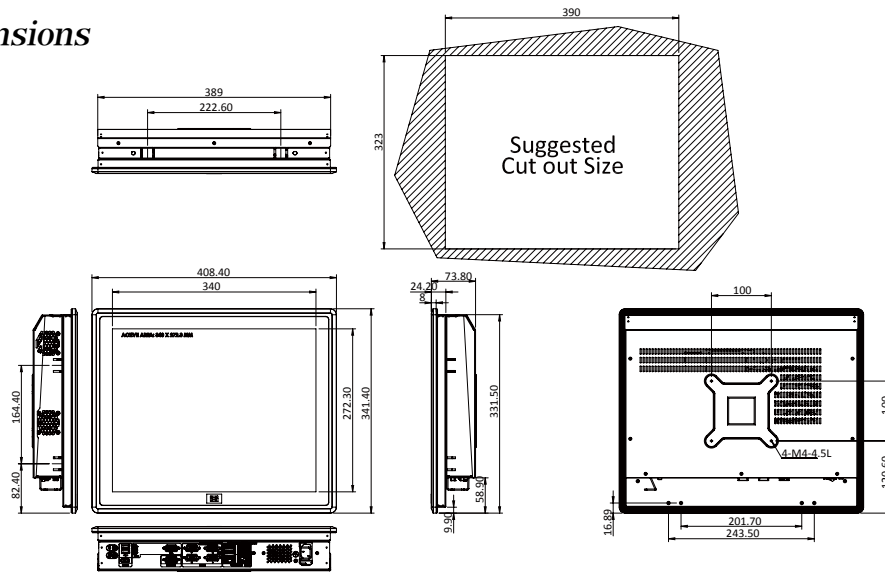
PPC-F15A Dimensions

(Unit: mm)



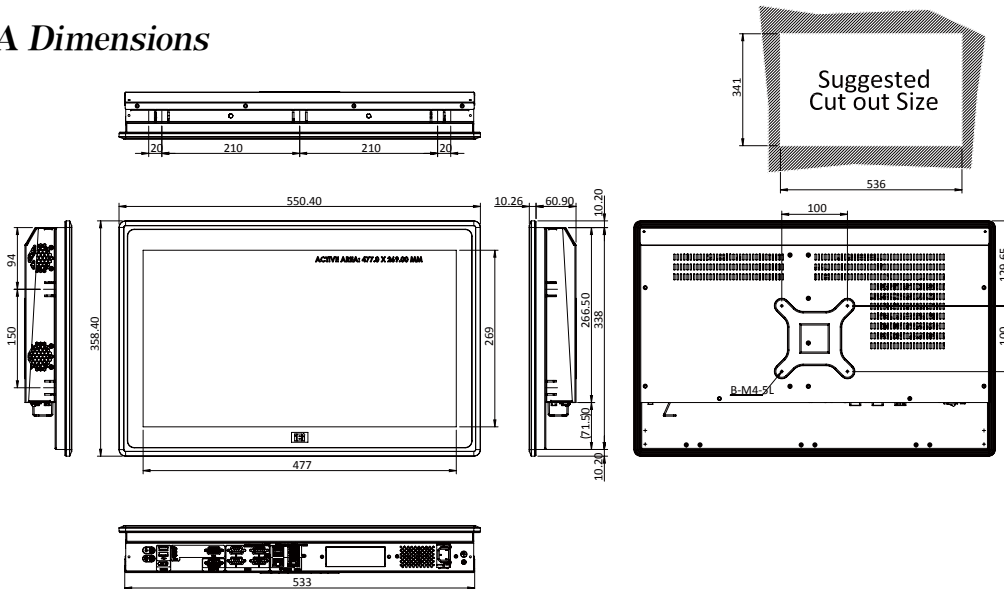
**PPC-F17A Dimensions**

(Unit: mm)



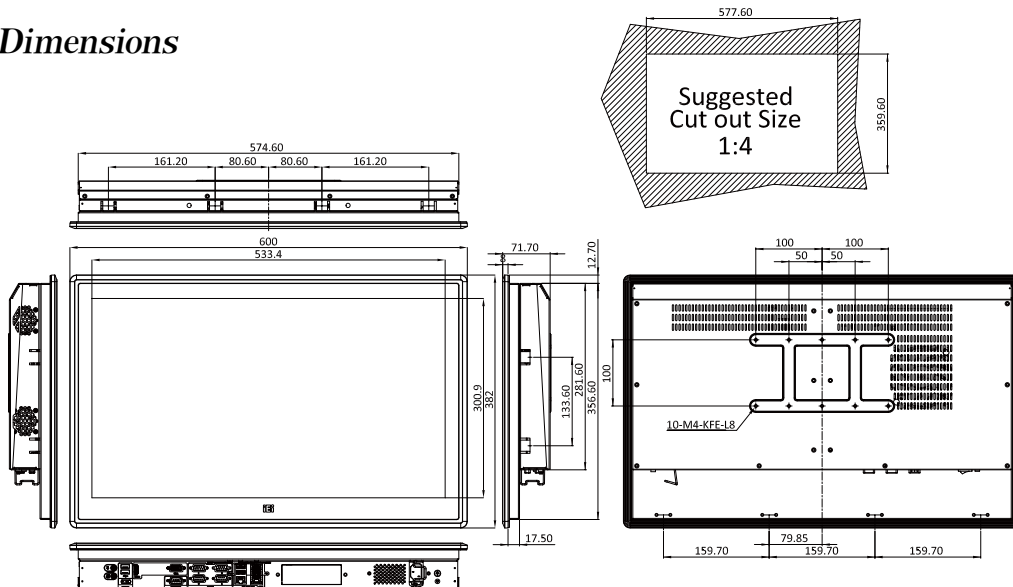
**PPC-F22A Dimensions**

(Unit: mm)



**PPC-F24A Dimensions**

(Unit: mm)





Компания «ЭлектроПласт» предлагает заключение долгосрочных отношений при поставках импортных электронных компонентов на взаимовыгодных условиях!

Наши преимущества:

- Оперативные поставки широкого спектра электронных компонентов отечественного и импортного производства напрямую от производителей и с крупнейших мировых складов;
- Поставка более 17-ти миллионов наименований электронных компонентов;
- Поставка сложных, дефицитных, либо снятых с производства позиций;
- Оперативные сроки поставки под заказ (от 5 рабочих дней);
- Экспресс доставка в любую точку России;
- Техническая поддержка проекта, помощь в подборе аналогов, поставка прототипов;
- Система менеджмента качества сертифицирована по Международному стандарту ISO 9001;
- Лицензия ФСБ на осуществление работ с использованием сведений, составляющих государственную тайну;
- Поставка специализированных компонентов (Xilinx, Altera, Analog Devices, Intersil, Interpoint, Microsemi, Aeroflex, Peregrine, Syfer, Eurofarad, Texas Instrument, Miteq, Cobham, E2V, MA-COM, Hittite, Mini-Circuits, General Dynamics и др.);

Помимо этого, одним из направлений компании «ЭлектроПласт» является направление «Источники питания». Мы предлагаем Вам помощь Конструкторского отдела:

- Подбор оптимального решения, техническое обоснование при выборе компонента;
- Подбор аналогов;
- Консультации по применению компонента;
- Поставка образцов и прототипов;
- Техническая поддержка проекта;
- Защита от снятия компонента с производства.



#### Как с нами связаться

**Телефон:** 8 (812) 309 58 32 (многоканальный)

**Факс:** 8 (812) 320-02-42

**Электронная почта:** [org@eplast1.ru](mailto:org@eplast1.ru)

**Адрес:** 198099, г. Санкт-Петербург, ул. Калинина, дом 2, корпус 4, литера А.