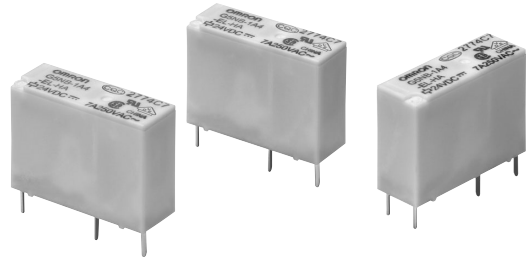


G5NB-EL

PCB Power Relay

A slim compact Relay with 7 A switching capacity

- 7 A (250 VAC), 5 A (30 VDC) high capacity switching with compact size.
- Minimum 200,000 operations durability at 5 A (250 VAC) switching.
- IEC/EN 60335-1 conformed.
- Ambient operating temperature: max. 85°C
- IEC/EN 60079-15 conformed. (Only for G5NB-1A4-EL-HA Model)



RoHS Compliant

Model Number Legend

G5NB-□□□-□-□-□-□-□

1 2 3 4 5 6 7 8

- | | | |
|---|---|--|
| <p>1. Number of Poles
1 : 1-pole</p> <p>2. Contact Form
A : SPST-NO (1a)</p> <p>3. Enclosure rating
4 : Fully sealed</p> | <p>4. Classification
EL : High capacity and electrical durability</p> <p>5. Conformity standard
HA : IEC/EN 60335-1 conformed</p> <p>6. Coil Holding Voltage
None : Not supported
PW : Supported</p> | <p>7. High temperature rating
None : Not supported
A85 : High temperature rating at 85°C</p> <p>8. Packing
None : Tray Packing
SP : Tube Packing</p> |
|---|---|--|

G5NB-EL

Application Examples

- Home appliances
- Industrial equipment
- Building automation

Ordering Information

Classification	Contact form	Enclosure rating	Model	Rated coil voltage	Minimum packing unit
Single stable relay	SPST-NO (1a)	Fully Sealed	G5NB-1A4-EL-HA(-SP)	DC5,12,24V	100pcs./Tray 50pcs./Tube
			G5NB-1A4-EL-HA-PW(-SP)		
		Flux protection	G5NB-1A-EL-HA-A85		100pcs./Tray

Note 1. When ordering, add the rated coil voltage to the model number.

Example: G5NB-1A4-EL-HA DC12

└──────────┘ Rated coil voltage

However, the notation of the coil voltage on the product case as well as on the packing will be marked as □□ VDC.

Note 2. When ordering tape packing, add "-SP" to the model number.

Be sure since "-SP" is not part of the relay model number, it is not marked on the relay case.

■ Ratings

● Coil

Rated voltage	Rated current (mA)	Coil resistance (Ω)	Must operate voltage (V)	Must release voltage (V)	Max. voltage (V)	Power consumption (mW)
5 VDC	40	125	75% max.	10% min. 10 to 39%*	160% (at 23°C)	Approx. 200 Approx. 50*
12 VDC	16.7	720				
24 VDC	8.3	2880				

Note 1. The rated current and coil resistance are measured at a coil temperature of 23°C with a tolerance of ±10%.

Note 2. The operating characteristics are measured at a coil temperature of 23°C.

Note 3. The "Max. voltage" is the maximum voltage that can be applied to the relay coil.

* These numbers are only for -PW type. Power consumption with Holding Voltage is approx.50mW. Please confirm the detail in page 4 Coil Voltage Reduction (Holding Voltage).

● Contacts

Item	Load	Resistive load
Contact Type		Single
Contact material		Ag-alloy (Cd free)
Rated load		5 A at 250 VAC, 7 A at 250 VAC
		5 A at 30 VDC
Rated carry current		5 A at DC, 7 A at AC
Max. switching voltage		250 VAC, 30 VDC
Max. switching current		5 A at DC, 7 A at AC

■ Characteristics

Contact resistance *1		100 mΩ max.
Operate time		10 ms max.
Release time		10 ms max.
Insulation resistance *2		1,000 MΩ min.
Dielectric strength	Between coil and contacts	4,000 VAC, 50/60 Hz for 1 min
	Between contacts of the same polarity	750 VAC, 50/60 Hz for 1 min
Insulation distance	Between coil and contacts	Clearance: 6 mm, Creepage: 6 mm
Impulse withstand voltage	Between coil and contacts	10 kV (1.2 x 50 μs)
Vibration resistance	Destruction	10 to 55 to 10 Hz, 0.75 mm single amplitude (1.5 mm double amplitude)
	Malfunction	10 to 55 to 10 Hz, 0.75 mm single amplitude (1.5 mm double amplitude)
Shock resistance	Destruction	1,000 m/s ²
	Malfunction	100 m/s ²
Durability	Mechanical	5,000,000 operations min.
	Electrical (resistive load)	<ul style="list-style-type: none"> Standard, Coil holding voltage type 200,000 operations at 250 VAC, 5 A 50,000 operations at 250 VAC, 7 A 100,000 operations at 30 VDC, 5 A High temperature rating type (G5NB-1A-EL-HA-A85) 100,000 operations at 250 VAC, 5 A at 85°C 50,000 operations at 250 VAC, 7 A at 85°C
Failure rate (P level) (reference value) *3		DC5V 10mA
Ambient operating temperature		-40°C to 85°C (with no icing or condensation)
Ambient operating humidity		5% to 85%
Weight		Approx. 4 g

Note. The data shown above are initial value.

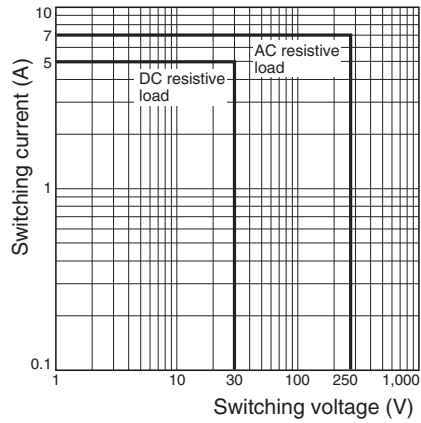
*1. Measurement conditions: 5 VDC, 1 A, voltage drop method

*2. Measurement conditions: Measured at the same points as the dielectric strength using a 500 VDC ohmmeter.

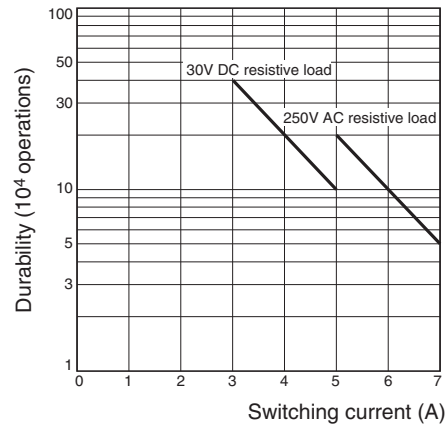
*3. This value was measured at a switching frequency of 120 operations/min.

Engineering Data

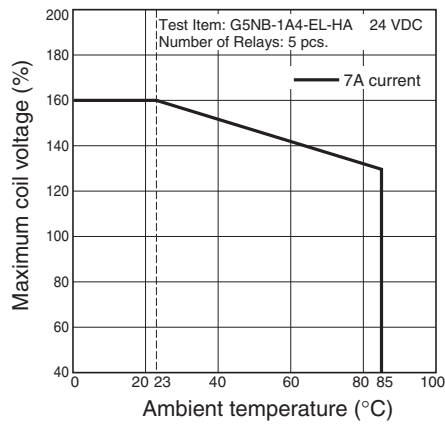
Maximum Switching Capacity



Durability

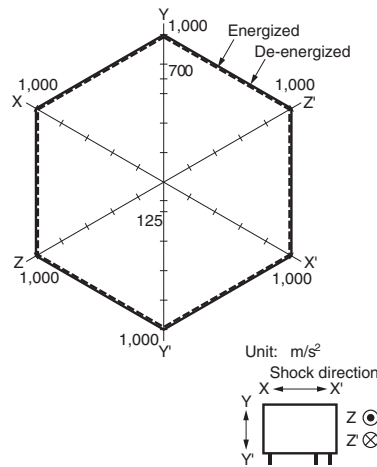


Ambient Temperature vs. Maximum Coil Voltage



Note: The maximum coil voltage refers to the maximum value in a varying range of operating power voltage, not a continuous voltage.

Shock malfunction

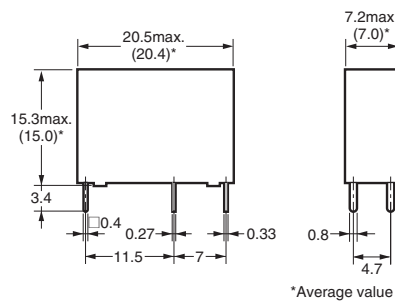


Test Item: G5NB-1A4-EL-HA 24 VDC
Number of Relays: 5 pcs
Test Method: Shock is applied 3 times in 6 directions along 3 axes and the level at which shock caused malfunction is measured. The energized voltage should be 100% of the rated voltage.
Rating: 100 m/s²

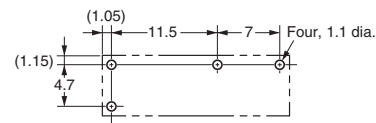
Dimensions

(Unit: mm)

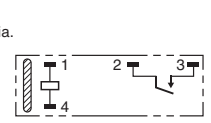
G5NB-1A4-EL-HA(-PW)
G5NB-1A-EL-HA-A85



PCB Mounting Holes
(Bottom View)
Tolerance: ±0.1 mm



Terminal Arrangement/
Internal Connections
(Bottom View)



(No coil polarity)

Approved Standards

The approval rating values for overseas standards are different from the performance values determined individually. Confirm the values before use.

● **UL Recognized:**  (File No. E41515)

● **CSA Certified:**  (File No. LR31928)

Model	Contact form	Coil ratings	Contact ratings	Number of test operations
G5NB-1A4-EL-HA(-PW) G5NB-1A-EL-HA-A85	SPST-NO (1a)	5 to 24V DC	7A 250V AC (General Purpose) 85°C	30,000
			5A 250V AC (General Purpose) 85°C	50,000
			5A 30V DC (Resistive) 85°C	6,000

● **EN/IEC, VDE Certified**  (Certificate No. 137575)

Model	Contact form	Coil ratings	Contact ratings	Number of test operations
G5NB-1A4-EL-HA(-PW) G5NB-1A-EL-HA-A85	SPST-NO (1a)	5, 12, 24V DC	7A 250V AC (Resistive) 85°C	10,000
			5A 30V DC (Resistive) 85°C	

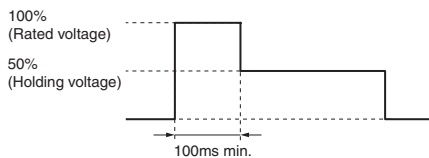
Precautions

● Please refer to “PCB Relays Common Precautions” for correct use.

Correct Use

● **Coil Voltage Reduction (Holding Voltage) after Relay operation**

- If the coil voltage is reduced to the holding voltage after Relay operation, first apply the rated voltage to the coil for at least 100 ms, as shown below.
- A voltage of at least 50% of the rated voltage is required for the coil holding voltage. Do not allow voltage fluctuations to cause the coil holding voltage to fall below this level.



	Applied coil voltage	Coil resistance*	Power consumption
Rated voltage	100%	125Ω (5 VDC) 720Ω (12 VDC)	Approx.200 mW
Holding voltage	50%	2880Ω (24 VDC)	Approx.50 mW

* The coil resistance were measured at a coil temperature of 23°C with tolerances of ±10%.

Other data

Creepage distance	6.0 mm
Clearance distance	6.0 mm
Insulation Material Group	III a
Type of insulation coil-contact circuit	Reinforced
open contact circuit	Micro disconnection
Rated Insulation Voltage	250V
Pollution degree	3
Rated voltage system	250V
Overvoltage category	III
Category of protection according to IEC 61810-1	RT III
Glow wire according to IEC 60335-1	<HA Models only> GWT 750°C min. (IEC 60695-2-11) / GWF1 850°C min. (IEC 60695-2-12)
Tracking Index of relay base	PTI 250V min. (housing Parts)
Flammability class according to UL94	V-0

Please check each region's Terms & Conditions by region website.

OMRON Corporation

Electronic and Mechanical Components Company

Regional Contact

Americas

<https://www.components.omron.com/>

Asia-Pacific

<https://ecb.omron.com.sg/>

Korea

<https://www.omron-ecb.co.kr/>

Europe

<http://components.omron.eu/>

China

<https://www.ecb.omron.com.cn/>

Japan

<https://www.omron.co.jp/ecb/>

Mouser Electronics

Authorized Distributor

Click to View Pricing, Inventory, Delivery & Lifecycle Information:

Omron:

[G5NB-1A4-EL-HA DC12](#) [G5NB-1A4-EL-HA DC24](#) [G5NB-1A4-EL-HADC5](#)



Компания «ЭлектроПласт» предлагает заключение долгосрочных отношений при поставках импортных электронных компонентов на взаимовыгодных условиях!

Наши преимущества:

- Оперативные поставки широкого спектра электронных компонентов отечественного и импортного производства напрямую от производителей и с крупнейших мировых складов;
- Поставка более 17-ти миллионов наименований электронных компонентов;
- Поставка сложных, дефицитных, либо снятых с производства позиций;
- Оперативные сроки поставки под заказ (от 5 рабочих дней);
- Экспресс доставка в любую точку России;
- Техническая поддержка проекта, помощь в подборе аналогов, поставка прототипов;
- Система менеджмента качества сертифицирована по Международному стандарту ISO 9001;
- Лицензия ФСБ на осуществление работ с использованием сведений, составляющих государственную тайну;
- Поставка специализированных компонентов (Xilinx, Altera, Analog Devices, Intersil, Interpoint, Microsemi, Aeroflex, Peregrine, Syfer, Eurofarad, Texas Instrument, Miteq, Cobham, E2V, MA-COM, Hittite, Mini-Circuits, General Dynamics и др.);

Помимо этого, одним из направлений компании «ЭлектроПласт» является направление «Источники питания». Мы предлагаем Вам помощь Конструкторского отдела:

- Подбор оптимального решения, техническое обоснование при выборе компонента;
- Подбор аналогов;
- Консультации по применению компонента;
- Поставка образцов и прототипов;
- Техническая поддержка проекта;
- Защита от снятия компонента с производства.



Как с нами связаться

Телефон: 8 (812) 309 58 32 (многоканальный)

Факс: 8 (812) 320-02-42

Электронная почта: org@eplast1.ru

Адрес: 198099, г. Санкт-Петербург, ул. Калинина, дом 2, корпус 4, литера А.