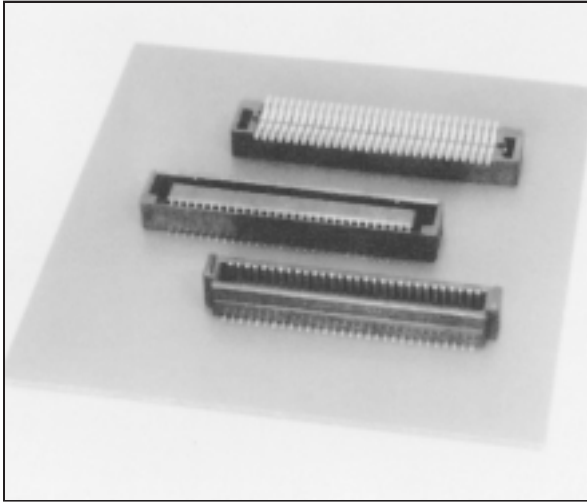


KX14/15 SERIES CONNECTORS

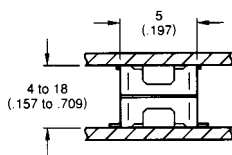
0.8mm (.031") Contact Spacing, PCB-to-PCB SMT Connectors



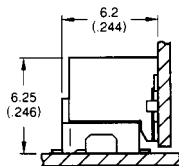
FEATURES

- 0.8mm (.031") contact spacing
- Straight receptacle (KX14) and right angle/straight plug (KX15) for paralleled and vertical PCB connections
- 4 to 18mm (.157 to .709") stacking heights
- Polarization key prevents mismatching
- Resistant to vibration and twisting
- Available in embossed tape for automatic mounting

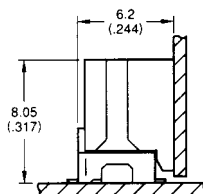
Connector Profile (Ref.)



Hold-down type (Right-angle side)



Screw type (Right-angle side)



The KX14/15 Series connectors are low profile, SMT type connectors for PCB-to-PCB applications. Contact spacing is 0.8mm (.031"). The receptacle (KX14) and plug (KX15) combination offer variable stacking heights of 4 to 18mm (.157 to .709").

These connectors are ideal for use in the personal computer industry where space, weight and high density are critical factors.

GENERAL SPECIFICATIONS

| | |
|---------------------------------|------------------------------------------------------------------|
| Number of Contacts | 20, 30, 40, 50, 60, 70, 80, 100, 120, 140, 160, 200 (See Note 1) |
| Contact Spacing | 0.8mm (.031") |
| Current Rating | 0.5 Amps |
| Dielectric Withstanding Voltage | 500 VAC r.m.s. (for one minute) |
| Insulation Resistance | 100 megohms min. |
| Contact Resistance | 70 milliohms max. |
| Operating Temperature | -40°C to +85°C |

Note 1: Please consult JAE for availability.

MATERIALS AND FINISHES

| Description | Materials/Finishes |
|--------------------------------------------------------|-----------------------------------------------------------------------------------------------------------------------------------------------------------|
| Insulator KX14 KX15 Straight KX15 Right Angle | Glass-filled LCP/Black Glass-filled PPS/Black Glass-filled LCP/Black |
| Contact | Copper Alloy Connecting Area: 0.1 μ m (.000004") min. Gold Plating Over Nickel Terminal Area: Gold flash over Nickel or Tin-lead over Nickel |
| Hold Down | Copper Alloy/Tin-lead over Nickel |
| Hook Pin | Copper Alloy/Tin plating |
| Hexagon Nut | Brass/Nickel plating |

Dimensions and specifications subject to change without notice.

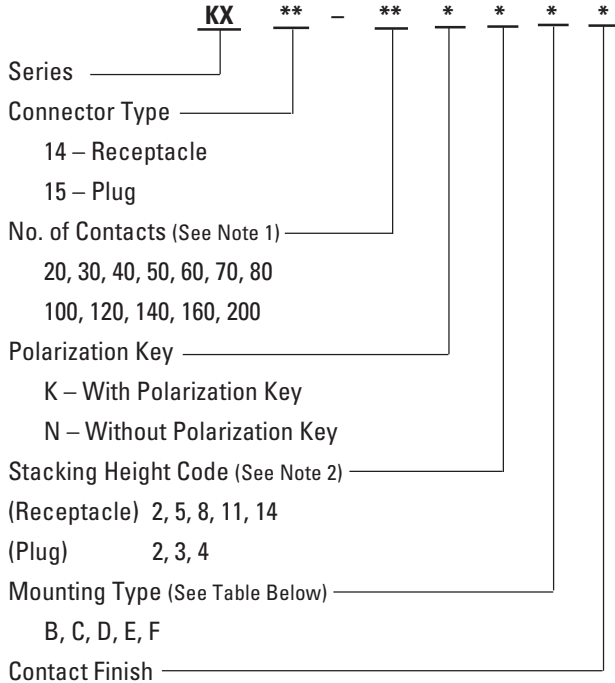


KX14/15 SERIES CONNECTORS

0.8mm (.031") Contact Spacing, PCB-to-PCB SMT Connectors

ORDERING INFORMATION

STRAIGHT



Blank – Connecting Area: Gold plating 0.1µm (.000004") min. over Nickel

Terminal Area: Gold Flash over Nickel

1 – Connecting Area: Gold plating 0.1µm (.000004") min. over Nickel

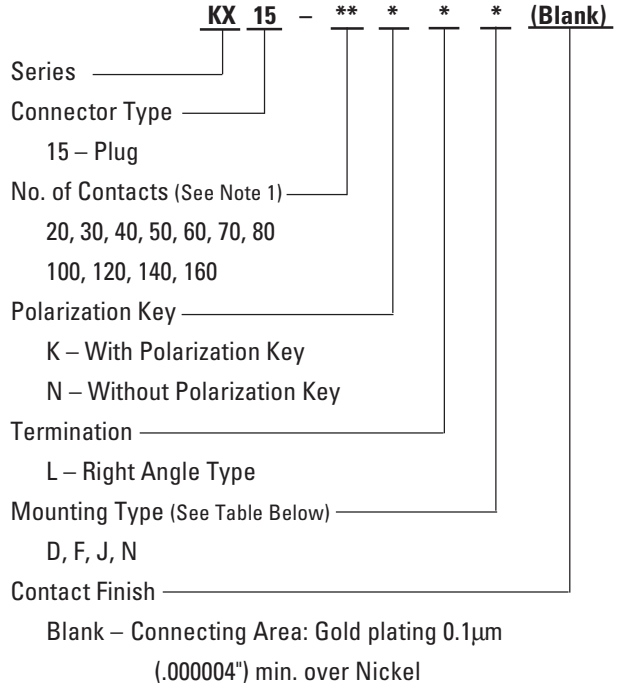
Terminal Area: Tin-Lead over Nickel

Note 1: Please consult JAE for availability.
 Note 2: Stacking Height = Stacking Height Code of KX14 & Stacking Height Code of KX15.

Mounting Type for Straight

| | Positioning Key | Hold Down | Flange | Hook Pin |
|---|-----------------|-----------|--------|----------|
| B | ○ | — | — | — |
| C | ○ | — | ○ | ○ |
| D | ○ | ○ | ○ | — |
| E | ○ | — | ○ | — |
| F | — | ○ | ○ | — |

RIGHT ANGLE



Blank – Connecting Area: Gold plating 0.1µm (.000004") min. over Nickel

Terminal Area: Gold Flash over Nickel

Note 1: Please consult JAE for availability.

Mounting Type for Right Angle

| | Positioning Key | Hold Down | Nut |
|---|-----------------|-----------|-----|
| D | ○ | ○ | — |
| F | — | ○ | — |
| J | ○ | — | — |
| N | ○ | — | ○ |

Stacking Height (Parallel PCB to PCB connection)

| | | Plug | | | |
|------------|----|----------------------|-----------|-----------|-----------|
| | | Stacking Height Code | 2 | 3 | 4 |
| Receptacle | 2 | | 4 (.157) | 5 (.197) | 6 (.236) |
| | 5 | | 7 (.276) | 8 (.315) | 9 (.354) |
| | 8 | | 10 (.394) | 11 (.433) | 12 (.472) |
| | 11 | | 13 (.512) | 14 (.551) | 15 (.591) |
| | 14 | | 16 (.630) | 17 (.669) | 18 (.709) |

Dimensions in mm (inches).

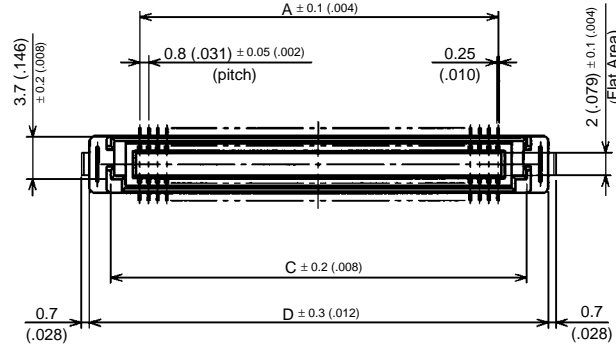
KX14/15 SERIES CONNECTORS

0.8mm (.031") Contact Spacing, PCB-to-PCB SMT Connectors

KX14 • STRAIGHT RECEPTACLE

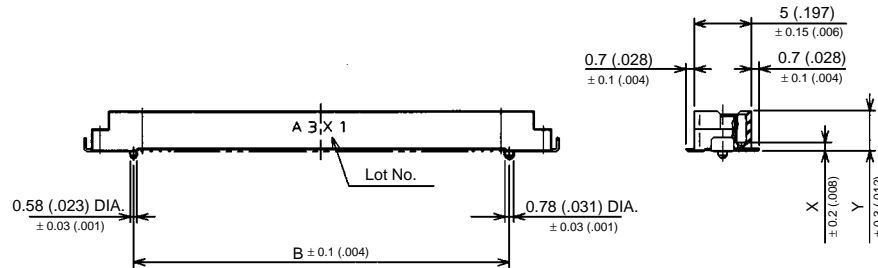
Note 1: Shown below is mounting type D with polarization key.

Note 2: Mounting side configuration for 200 contacts is different. Please consult JAE.

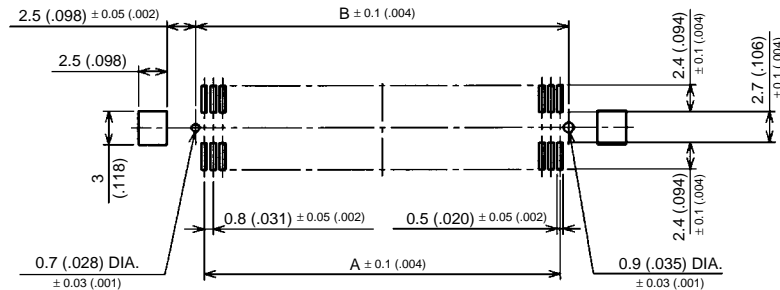


Dimension X and Y

| Stacking Height Code | X | Y |
|----------------------|--------------|--------------|
| 2 | 0.75 (.030) | 3.55 (.140) |
| 5 | 3.75 (.148) | 6.55 (.258) |
| 8 | 6.75 (.266) | 9.55 (.376) |
| 11 | 9.75 (.384) | 12.55 (.494) |
| 14 | 12.75 (.502) | 15.55 (.612) |



Applicable PCB Dimension (Ref.)



| No. of Contacts | Part Number (Note 1) | | A | B | C | D |
|-----------------|-----------------------|--------------------------|--------------|--------------|---------------|--------------|
| | With Polarization Key | Without Polarization Key | | | | |
| 20 | KX14- 20K□*+ | KX14- 20N□*+ | 7.2 (.283) | 8.7 (.342) | 12.3 (.484) | 16 (.630) |
| 30 | KX14- 30K□*+ | KX14- 30N□*+ | 11.2 (.441) | 12.7 (.500) | 16.3 (.642) | 20 (.787) |
| 40 | KX14- 40K□*+ | KX14- 40N□*+ | 15.2 (.598) | 16.7 (.657) | 20.3 (.799) | 24 (.945) |
| 50 | KX14- 50K□*+ | KX14- 50N□*+ | 19.2 (.756) | 20.7 (.815) | 24.3 (.957) | 28 (1.102) |
| 60 | KX14- 60K□*+ | KX14- 60N□*+ | 23.2 (.913) | 24.7 (.972) | 28.3 (1.114) | 32 (1.260) |
| 70 | KX14- 70K□*+ | KX14- 70N□*+ | 27.2 (1.071) | 28.7 (1.130) | 32.3 (1.272) | 36 (1.417) |
| 80 | KX14- 80K□*+ | KX14- 80N□*+ | 31.2 (1.228) | 32.7 (1.287) | 36.3 (1.429) | 40 (1.575) |
| 100 | KX14- 100K□*+ | KX14- 100N□*+ | 39.2 (1.543) | 40.7 (1.602) | 44.3 (1.744) | 48 (1.890) |
| 120 | KX14- 120K□*+ | KX14- 120N□*+ | 47.2 (1.858) | 48.7 (1.917) | 52.3 (2.059) | 56 (2.205) |
| 140 | KX14- 140K□*+ | KX14- 140N□*+ | 55.2 (2.173) | 56.7 (2.232) | 60.3 (2.374) | 64 (2.520) |
| 160 | KX14- 160K□*+ | KX14- 160N□*+ | 63.2 (2.488) | 64.7 (2.547) | 68.3 (2.689) | 72 (2.835) |
| 200 | KX14- 200K□*+ | KX14- 200N□*+ | 80.8 (3.181) | 82.3 (3.240) | 85.85 (3.380) | 89.6 (3.528) |

Note 1: □ – Add stacking height code 2, 5, 8, 11 or 14.

+ – Add contact finish code 1 or blank.

Note 2: Please consult JAE for availability.

* – Add mounting type code B, C, D, E or F.

Refer to Mounting and Stacking Height Tables.

Dimensions in mm (inches).



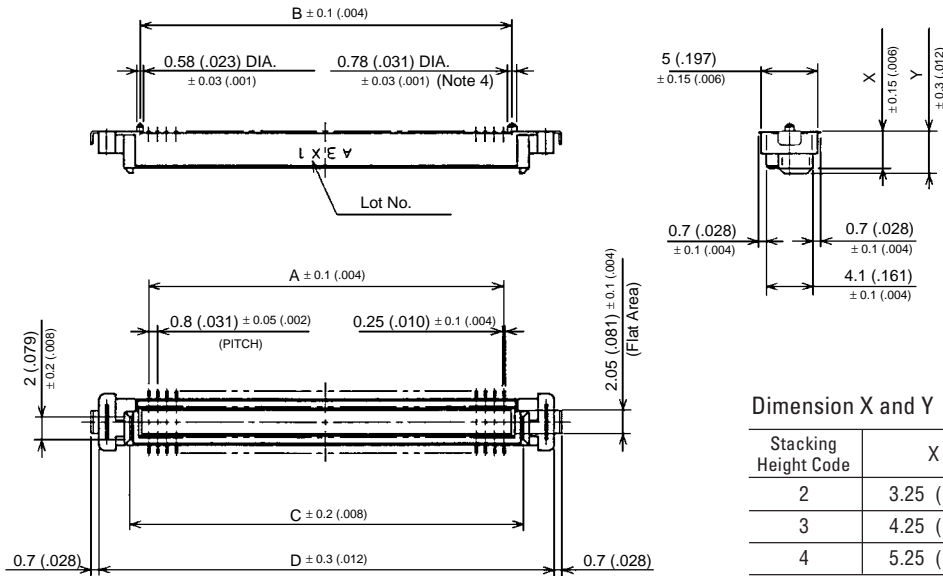
KX14/15 SERIES CONNECTORS

0.8mm (.031") Contact Spacing, PCB-to-PCB SMT Connectors

KX15 • STRAIGHT PLUG

Note 1: Shown below is mounting type D with polarization key.

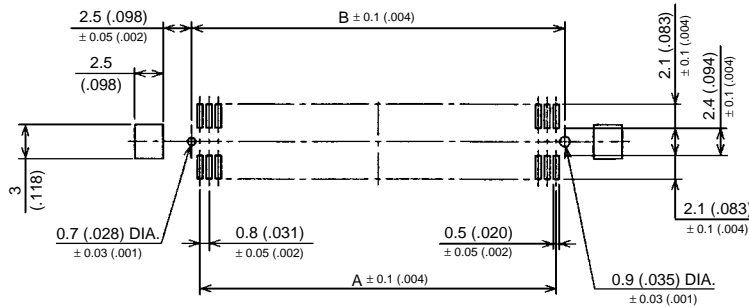
Note 2: Mounting side configuration for 200 contacts is different. Please consult JAE.



Dimension X and Y

| Stacking Height Code | X | Y |
|----------------------|-------------|-------------|
| 2 | 3.25 (.128) | 3.75 (.148) |
| 3 | 4.25 (.167) | 4.75 (.187) |
| 4 | 5.25 (.207) | 5.75 (.226) |

Applicable PCB Dimension (Ref.)



| No. of Contacts | Part Number (Note 1) | | A | B | C | D |
|-----------------|-----------------------|--------------------------|--------------|--------------|--------------|--------------|
| | With Polarization Key | Without Polarization Key | | | | |
| 20 | KX15- 20K□*+ | KX15- 20N□*+ | 7.2 (.283) | 8.7 (.342) | 10.6 (.417) | 16 (.630) |
| 30 | KX15- 30K□*+ | KX15- 30N□*+ | 11.2 (.441) | 12.7 (.500) | 14.6 (.575) | 20 (.787) |
| 40 | KX15- 40K□*+ | KX15- 40N□*+ | 15.2 (.598) | 16.7 (.657) | 18.6 (.732) | 24 (.945) |
| 50 | KX15- 50K□*+ | KX15- 50N□*+ | 19.2 (.756) | 20.7 (.815) | 22.6 (.890) | 28 (1.102) |
| 60 | KX15- 60K□*+ | KX15- 60N□*+ | 23.2 (.913) | 24.7 (.972) | 26.6 (1.047) | 32 (1.260) |
| 70 | KX15- 70K□*+ | KX15- 70N□*+ | 27.2 (1.071) | 28.7 (1.130) | 30.6 (1.205) | 36 (1.417) |
| 80 | KX15- 80K□*+ | KX15- 80N□*+ | 31.2 (1.228) | 32.7 (1.287) | 34.6 (1.362) | 40 (1.575) |
| 100 | KX15- 100K□*+ | KX15- 100N□*+ | 39.2 (1.543) | 40.7 (1.602) | 42.6 (1.677) | 48 (1.890) |
| 120 | KX15- 120K□*+ | KX15- 120N□*+ | 47.2 (1.858) | 48.7 (1.917) | 50.6 (1.992) | 56 (2.205) |
| 140 | KX15- 140K□*+ | KX15- 140N□*+ | 55.2 (2.173) | 56.7 (2.232) | 58.6 (2.307) | 64 (2.520) |
| 160 | KX15- 160K□*+ | KX15- 160N□*+ | 63.2 (2.488) | 64.7 (2.547) | 66.6 (2.622) | 72 (2.835) |
| 200 | KX15- 200K□*+ | KX15- 200N□*+ | 80.8 (3.181) | 82.3 (3.240) | 84.2 (3.315) | 89.6 (3.528) |

Note 1: □ – Add stacking height code 2, 3, or 4.

+ – Add contact finish code 1 or blank.

* – Add mounting type code B, C, D, E or F.

Refer to Mounting and Stacking Height Tables.

Note 2: Please consult JAE for availability.

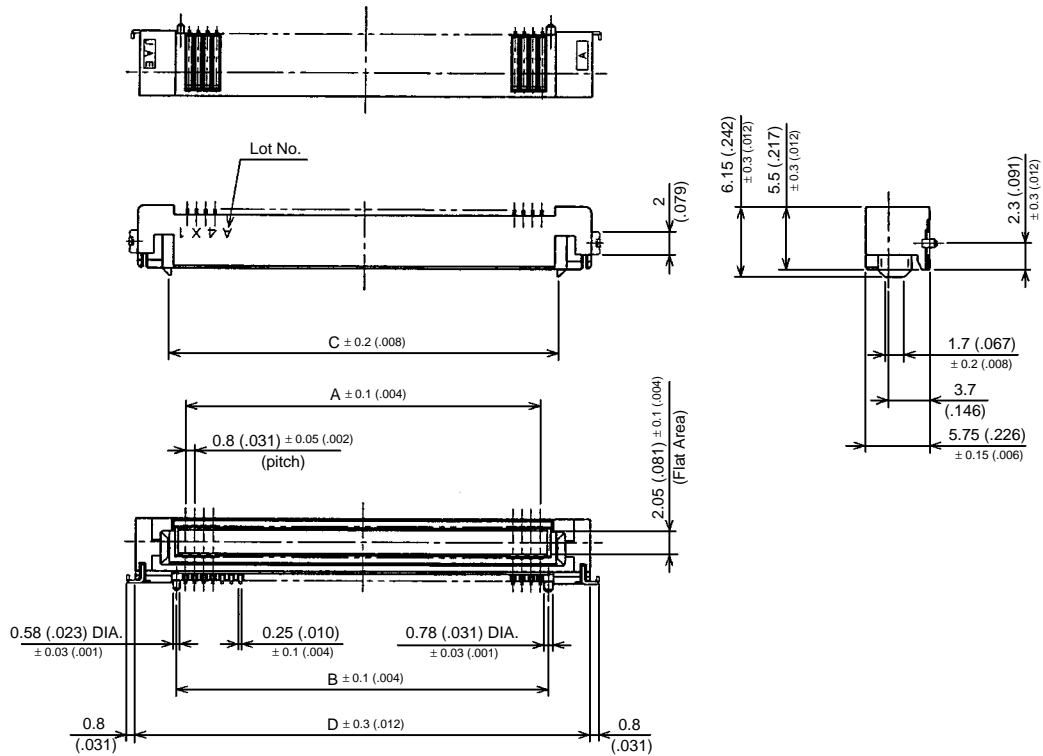
Dimensions in mm (inches).

KX14/15 SERIES CONNECTORS

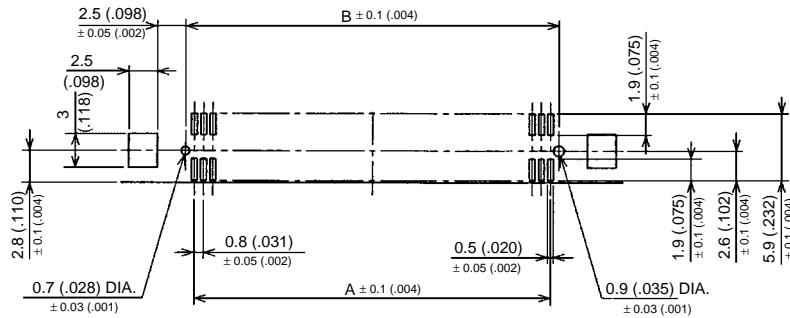
0.8mm (.031") Contact Spacing, PCB-to-PCB SMT Connectors

KX15 • RIGHT ANGLE PLUG

Note: Shown below is mounting type D with polarization key.



Applicable PCB Dimension (Ref.)



| No. of Contacts | Part Number (Note 1) | | A | B | C | D |
|-----------------|-----------------------|--------------------------|--------------|--------------|--------------|------------|
| | With Polarization Key | Without Polarization Key | | | | |
| 20 | KX15- 20KL * | KX15- 20NL * | 7.2 (.283) | 8.7 (.342) | 10.3 (.406) | 16 (.630) |
| 30 | KX15- 30KL * | KX15- 30NL * | 11.2 (.441) | 12.7 (.500) | 14.3 (.563) | 20 (.787) |
| 40 | KX15- 40KL * | KX15- 40NL * | 15.2 (.598) | 16.7 (.657) | 18.3 (.720) | 24 (.945) |
| 50 | KX15- 50KL * | KX15- 50NL * | 19.2 (.756) | 20.7 (.815) | 22.3 (.878) | 28 (1.102) |
| 60 | KX15- 60KL * | KX15- 60NL * | 23.2 (.913) | 24.7 (.972) | 26.3 (1.035) | 32 (1.260) |
| 70 | KX15- 70KL * | KX15- 70NL * | 27.2 (1.071) | 28.7 (1.130) | 30.3 (1.193) | 36 (1.417) |
| 80 | KX15- 80KL * | KX15- 80NL * | 31.2 (1.228) | 32.7 (1.287) | 34.3 (1.350) | 40 (1.575) |
| 100 | KX15-100KL * | KX15-100NL * | 39.2 (1.543) | 40.7 (1.602) | 42.3 (1.665) | 48 (1.890) |
| 120 | KX15-120KL * | KX15-120NL * | 47.2 (1.858) | 48.7 (1.917) | 50.3 (1.980) | 56 (2.205) |
| 140 | KX15-140KL * | KX15-140NL * | 55.2 (2.173) | 56.7 (2.232) | 58.3 (2.295) | 64 (2.520) |
| 160 | KX15-160KL * | KX15-160NL * | 63.2 (2.488) | 64.7 (2.547) | 66.3 (2.610) | 72 (2.835) |

Note 1: * – Add mounting type code D, F, J or N. Refer to Mounting and Stacking Height Tables.

Note 2: Please consult JAE for availability.

Dimensions in mm (inches).





Компания «ЭлектроПласт» предлагает заключение долгосрочных отношений при поставках импортных электронных компонентов на взаимовыгодных условиях!

Наши преимущества:

- Оперативные поставки широкого спектра электронных компонентов отечественного и импортного производства напрямую от производителей и с крупнейших мировых складов;
- Поставка более 17-ти миллионов наименований электронных компонентов;
- Поставка сложных, дефицитных, либо снятых с производства позиций;
- Оперативные сроки поставки под заказ (от 5 рабочих дней);
- Экспресс доставка в любую точку России;
- Техническая поддержка проекта, помощь в подборе аналогов, поставка прототипов;
- Система менеджмента качества сертифицирована по Международному стандарту ISO 9001;
- Лицензия ФСБ на осуществление работ с использованием сведений, составляющих государственную тайну;
- Поставка специализированных компонентов (Xilinx, Altera, Analog Devices, Intersil, Interpoint, Microsemi, Aeroflex, Peregrine, Syfer, Eurofarad, Texas Instrument, Miteq, Cobham, E2V, MA-COM, Hittite, Mini-Circuits, General Dynamics и др.);

Помимо этого, одним из направлений компании «ЭлектроПласт» является направление «Источники питания». Мы предлагаем Вам помощь Конструкторского отдела:

- Подбор оптимального решения, техническое обоснование при выборе компонента;
- Подбор аналогов;
- Консультации по применению компонента;
- Поставка образцов и прототипов;
- Техническая поддержка проекта;
- Защита от снятия компонента с производства.



Как с нами связаться

Телефон: 8 (812) 309 58 32 (многоканальный)

Факс: 8 (812) 320-02-42

Электронная почта: org@eplast1.ru

Адрес: 198099, г. Санкт-Петербург, ул. Калинина, дом 2, корпус 4, литера А.