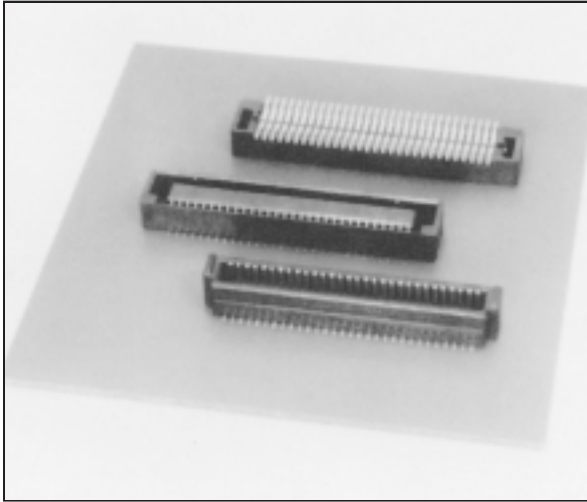


# KX14/15 SERIES CONNECTORS

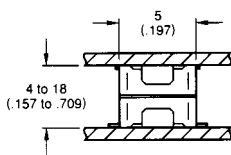
## 0.8mm (.031") Contact Spacing, PCB-to-PCB SMT Connectors



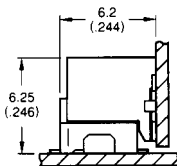
### FEATURES

- 0.8mm (.031") contact spacing
- Straight receptacle (KX14) and right angle/straight plug (KX15) for paralleled and vertical PCB connections
- 4 to 18mm (.157 to .709") stacking heights
- Polarization key prevents mismatching
- Resistant to vibration and twisting
- Available in embossed tape for automatic mounting

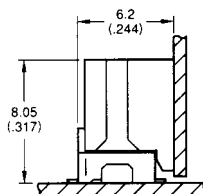
Connector Profile (Ref.)



Hold-down type (Right-angle side)



Screw type (Right-angle side)



The KX14/15 Series connectors are low profile, SMT type connectors for PCB-to-PCB applications. Contact spacing is 0.8mm (.031"). The receptacle (KX14) and plug (KX15) combination offer variable stacking heights of 4 to 18mm (.157 to .709").

These connectors are ideal for use in the personal computer industry where space, weight and high density are critical factors.

### GENERAL SPECIFICATIONS

|                                 |  |
|---------------------------------|--|
| Number of Contacts              | 20, 30, 40, 50, 60, 70, 80, 100, 120, 140, 160, 200 (See Note 1) |
| Contact Spacing                 | 0.8mm (.031")  |
| Current Rating                  | 0.5 Amps   |
| Dielectric Withstanding Voltage | 500 VAC r.m.s. (for one minute)                                  |
| Insulation Resistance           | 100 megohms min.   |
| Contact Resistance              | 70 milliohms max.  |
| Operating Temperature           | -40°C to +85°C   |

Note 1: Please consult JAE for availability.

### MATERIALS AND FINISHES

| Description  | Materials/Finishes   |
|--|--|
| Insulator<br>KX14<br>KX15 Straight<br>KX15 Right Angle | Glass-filled LCP/Black<br>Glass-filled PPS/Black<br>Glass-filled LCP/Black   |
| Contact  | Copper Alloy<br>Connecting Area: 0.1 $\mu$ m (.000004") min.<br>Gold Plating Over Nickel<br>Terminal Area: Gold flash over Nickel or<br>Tin-lead over Nickel |
| Hold Down  | Copper Alloy/Tin-lead over Nickel  |
| Hook Pin   | Copper Alloy/Tin plating   |
| Hexagon Nut  | Brass/Nickel plating   |

Dimensions and specifications subject to change without notice.

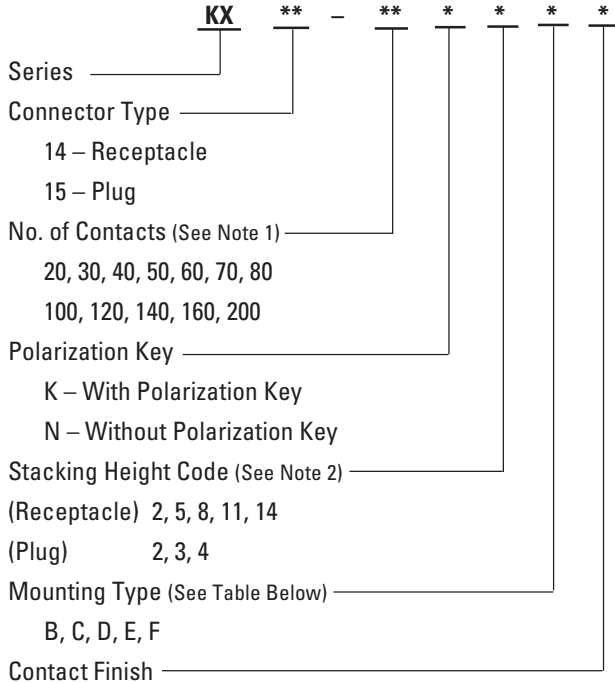


# KX14/15 SERIES CONNECTORS

0.8mm (.031") Contact Spacing, PCB-to-PCB SMT Connectors

## ORDERING INFORMATION

### STRAIGHT



Blank – Connecting Area: Gold plating 0.1µm (.000004") min. over Nickel  
Terminal Area: Gold Flash over Nickel

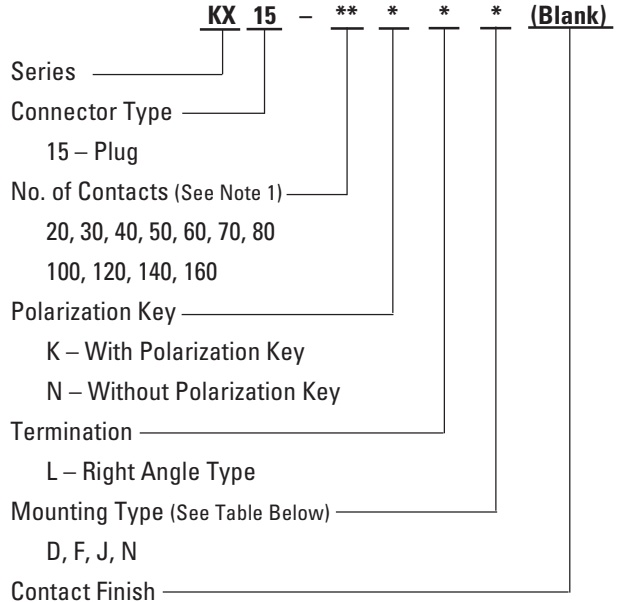
1 – Connecting Area: Gold plating 0.1µm (.000004") min. over Nickel  
Terminal Area: Tin-Lead over Nickel

Note 1: Please consult JAE for availability.  
Note 2: Stacking Height = Stacking Height Code of KX14 & Stacking Height Code of KX15.

### Mounting Type for Straight

|   | Positioning Key | Hold Down | Flange | Hook Pin |
|---|-----------------|-----------|--------|----------|
| B | ○               | —         | —      | —        |
| C | ○               | —         | ○      | ○        |
| D | ○               | ○         | ○      | —        |
| E | ○               | —         | ○      | —        |
| F | —               | ○         | ○      | —        |

### RIGHT ANGLE



Blank – Connecting Area: Gold plating 0.1µm (.000004") min. over Nickel  
Terminal Area: Gold Flash over Nickel

Note 1: Please consult JAE for availability.

### Mounting Type for Right Angle

|   | Positioning Key | Hold Down | Nut |
|---|-----------------|-----------|-----|
| D | ○               | ○         | —   |
| F | —               | ○         | —   |
| J | ○               | —         | —   |
| N | ○               | —         | ○   |

### Stacking Height (Parallel PCB to PCB connection)

|            |    | Plug                 |           |           |   |
|------------|----|----------------------|-----------|-----------|---|
|            |    | Stacking Height Code | 2         | 3         | 4 |
| Receptacle | 2  | 4 (.157)             | 5 (.197)  | 6 (.236)  |   |
|            | 5  | 7 (.276)             | 8 (.315)  | 9 (.354)  |   |
|            | 8  | 10 (.394)            | 11 (.433) | 12 (.472) |   |
|            | 11 | 13 (.512)            | 14 (.551) | 15 (.591) |   |
|            | 14 | 16 (.630)            | 17 (.669) | 18 (.709) |   |

Dimensions in mm (inches).

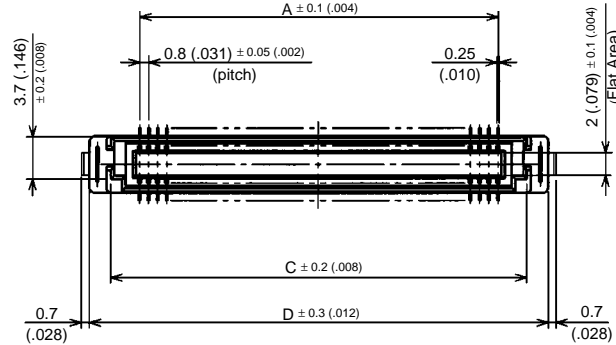
# KX14/15 SERIES CONNECTORS

## 0.8mm (.031") Contact Spacing, PCB-to-PCB SMT Connectors

### KX14 • STRAIGHT RECEPTACLE

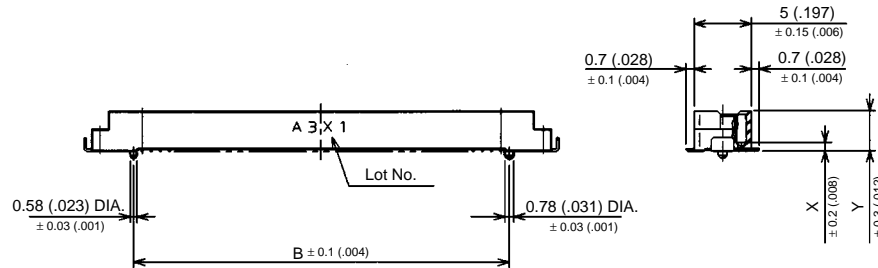
Note 1: Shown below is mounting type D with polarization key.

Note 2: Mounting side configuration for 200 contacts is different. Please consult JAE.

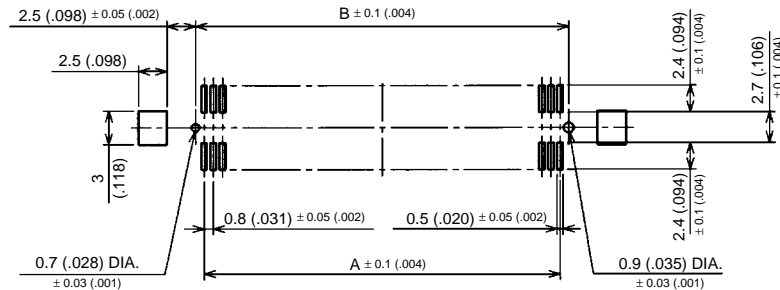


Dimension X and Y

| Stacking Height Code | X             | Y             |
|----------------------|---------------|---------------|
| 2                    | 0.75 ( .030)  | 3.55 ( .140)  |
| 5                    | 3.75 ( .148)  | 6.55 ( .258)  |
| 8                    | 6.75 ( .266)  | 9.55 ( .376)  |
| 11                   | 9.75 ( .384)  | 12.55 ( .494) |
| 14                   | 12.75 ( .502) | 15.55 ( .612) |



Applicable PCB Dimension (Ref.)



| No. of Contacts | Part Number (Note 1)  |                          | A            | B            | C             | D            |
|-----------------|-----------------------|--------------------------|--------------|--------------|---------------|--------------|
|                 | With Polarization Key | Without Polarization Key |              |              |               |              |
| 20              | KX14- 20K□*+          | KX14- 20N□*+             | 7.2 ( .283)  | 8.7 ( .342)  | 12.3 ( .484)  | 16 ( .630)   |
| 30              | KX14- 30K□*+          | KX14- 30N□*+             | 11.2 ( .441) | 12.7 ( .500) | 16.3 ( .642)  | 20 ( .787)   |
| 40              | KX14- 40K□*+          | KX14- 40N□*+             | 15.2 ( .598) | 16.7 ( .657) | 20.3 ( .799)  | 24 ( .945)   |
| 50              | KX14- 50K□*+          | KX14- 50N□*+             | 19.2 ( .756) | 20.7 ( .815) | 24.3 ( .957)  | 28 (1.102)   |
| 60              | KX14- 60K□*+          | KX14- 60N□*+             | 23.2 ( .913) | 24.7 ( .972) | 28.3 (1.114)  | 32 (1.260)   |
| 70              | KX14- 70K□*+          | KX14- 70N□*+             | 27.2 (1.071) | 28.7 (1.130) | 32.3 (1.272)  | 36 (1.417)   |
| 80              | KX14- 80K□*+          | KX14- 80N□*+             | 31.2 (1.228) | 32.7 (1.287) | 36.3 (1.429)  | 40 (1.575)   |
| 100             | KX14- 100K□*+         | KX14- 100N□*+            | 39.2 (1.543) | 40.7 (1.602) | 44.3 (1.744)  | 48 (1.890)   |
| 120             | KX14- 120K□*+         | KX14- 120N□*+            | 47.2 (1.858) | 48.7 (1.917) | 52.3 (2.059)  | 56 (2.205)   |
| 140             | KX14- 140K□*+         | KX14- 140N□*+            | 55.2 (2.173) | 56.7 (2.232) | 60.3 (2.374)  | 64 (2.520)   |
| 160             | KX14- 160K□*+         | KX14- 160N□*+            | 63.2 (2.488) | 64.7 (2.547) | 68.3 (2.689)  | 72 (2.835)   |
| 200             | KX14- 200K□*+         | KX14- 200N□*+            | 80.8 (3.181) | 82.3 (3.240) | 85.85 (3.380) | 89.6 (3.528) |

Note 1: □ – Add stacking height code 2, 5, 8, 11 or 14.

+ – Add contact finish code 1 or blank.

Note 2: Please consult JAE for availability.

\* – Add mounting type code B, C, D, E or F.

Refer to Mounting and Stacking Height Tables.

Dimensions in mm (inches).



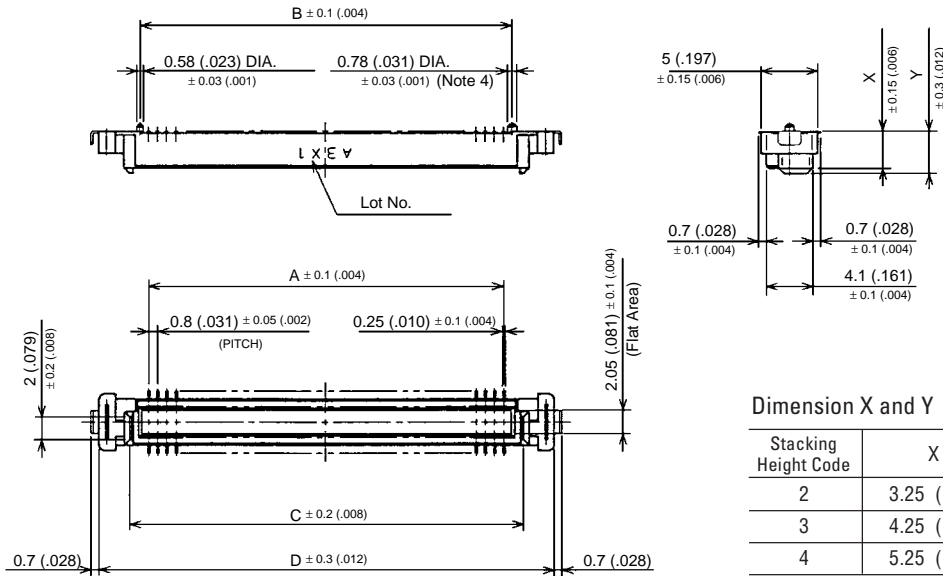
# KX14/15 SERIES CONNECTORS

## 0.8mm (.031") Contact Spacing, PCB-to-PCB SMT Connectors

### KX15 • STRAIGHT PLUG

Note 1: Shown below is mounting type D with polarization key.

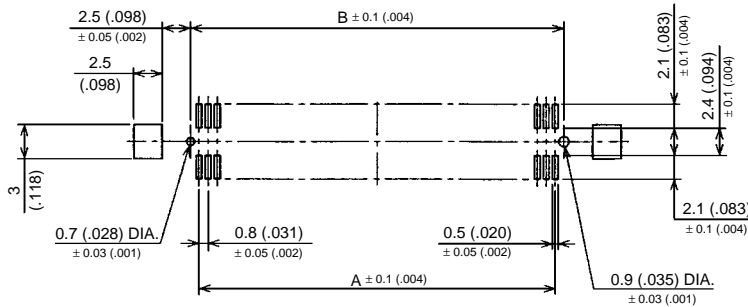
Note 2: Mounting side configuration for 200 contacts is different. Please consult JAE.



Dimension X and Y

| Stacking Height Code | X           | Y           |
|----------------------|-------------|-------------|
| 2                    | 3.25 (.128) | 3.75 (.148) |
| 3                    | 4.25 (.167) | 4.75 (.187) |
| 4                    | 5.25 (.207) | 5.75 (.226) |

Applicable PCB Dimension (Ref.)



| No. of Contacts | Part Number (Note 1)  |                          | A            | B            | C            | D            |
|-----------------|-----------------------|--------------------------|--------------|--------------|--------------|--------------|
|                 | With Polarization Key | Without Polarization Key |              |              |              |              |
| 20              | KX15- 20K□*+          | KX15- 20N□*+             | 7.2 (.283)   | 8.7 (.342)   | 10.6 (.417)  | 16 (.630)    |
| 30              | KX15- 30K□*+          | KX15- 30N□*+             | 11.2 (.441)  | 12.7 (.500)  | 14.6 (.575)  | 20 (.787)    |
| 40              | KX15- 40K□*+          | KX15- 40N□*+             | 15.2 (.598)  | 16.7 (.657)  | 18.6 (.732)  | 24 (.945)    |
| 50              | KX15- 50K□*+          | KX15- 50N□*+             | 19.2 (.756)  | 20.7 (.815)  | 22.6 (.890)  | 28 (1.102)   |
| 60              | KX15- 60K□*+          | KX15- 60N□*+             | 23.2 (.913)  | 24.7 (.972)  | 26.6 (1.047) | 32 (1.260)   |
| 70              | KX15- 70K□*+          | KX15- 70N□*+             | 27.2 (1.071) | 28.7 (1.130) | 30.6 (1.205) | 36 (1.417)   |
| 80              | KX15- 80K□*+          | KX15- 80N□*+             | 31.2 (1.228) | 32.7 (1.287) | 34.6 (1.362) | 40 (1.575)   |
| 100             | KX15- 100K□*+         | KX15- 100N□*+            | 39.2 (1.543) | 40.7 (1.602) | 42.6 (1.677) | 48 (1.890)   |
| 120             | KX15- 120K□*+         | KX15- 120N□*+            | 47.2 (1.858) | 48.7 (1.917) | 50.6 (1.992) | 56 (2.205)   |
| 140             | KX15- 140K□*+         | KX15- 140N□*+            | 55.2 (2.173) | 56.7 (2.232) | 58.6 (2.307) | 64 (2.520)   |
| 160             | KX15- 160K□*+         | KX15- 160N□*+            | 63.2 (2.488) | 64.7 (2.547) | 66.6 (2.622) | 72 (2.835)   |
| 200             | KX15- 200K□*+         | KX15- 200N□*+            | 80.8 (3.181) | 82.3 (3.240) | 84.2 (3.315) | 89.6 (3.528) |

Note 1: □ – Add stacking height code 2, 3, or 4.

+ – Add contact finish code 1 or blank.

\* – Add mounting type code B, C, D, E or F.

Refer to Mounting and Stacking Height Tables.

Note 2: Please consult JAE for availability.

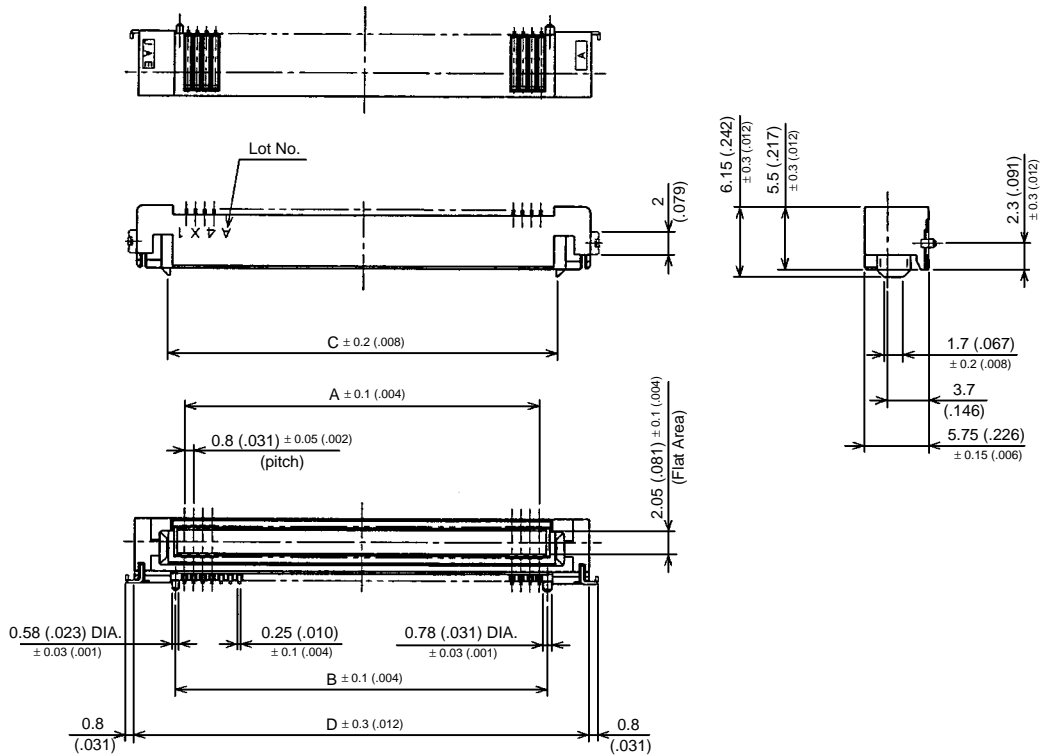
Dimensions in mm (inches).

# KX14/15 SERIES CONNECTORS

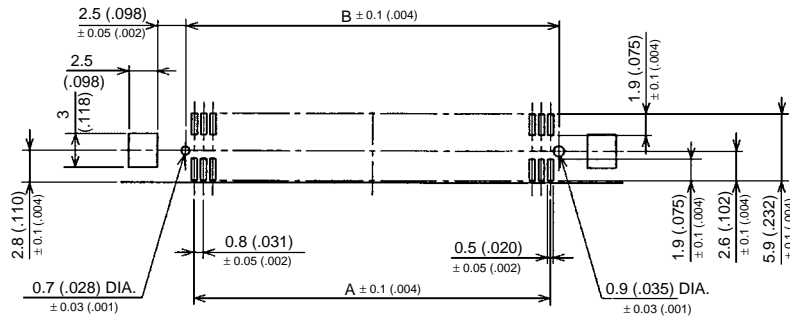
## 0.8mm (.031") Contact Spacing, PCB-to-PCB SMT Connectors

### KX15 • RIGHT ANGLE PLUG

Note: Shown below is mounting type D with polarization key.



### Applicable PCB Dimension (Ref.)



| No. of Contacts | Part Number (Note 1)  |                          | A            | B            | C            | D          |
|-----------------|-----------------------|--------------------------|--------------|--------------|--------------|------------|
|                 | With Polarization Key | Without Polarization Key |              |              |              |            |
| 20              | KX15- 20KL *          | KX15- 20NL *             | 7.2 ( .283)  | 8.7 ( .342)  | 10.3 ( .406) | 16 ( .630) |
| 30              | KX15- 30KL *          | KX15- 30NL *             | 11.2 ( .441) | 12.7 ( .500) | 14.3 ( .563) | 20 ( .787) |
| 40              | KX15- 40KL *          | KX15- 40NL *             | 15.2 ( .598) | 16.7 ( .657) | 18.3 ( .720) | 24 ( .945) |
| 50              | KX15- 50KL *          | KX15- 50NL *             | 19.2 ( .756) | 20.7 ( .815) | 22.3 ( .878) | 28 (1.102) |
| 60              | KX15- 60KL *          | KX15- 60NL *             | 23.2 ( .913) | 24.7 ( .972) | 26.3 (1.035) | 32 (1.260) |
| 70              | KX15- 70KL *          | KX15- 70NL *             | 27.2 (1.071) | 28.7 (1.130) | 30.3 (1.193) | 36 (1.417) |
| 80              | KX15- 80KL *          | KX15- 80NL *             | 31.2 (1.228) | 32.7 (1.287) | 34.3 (1.350) | 40 (1.575) |
| 100             | KX15-100KL *          | KX15-100NL *             | 39.2 (1.543) | 40.7 (1.602) | 42.3 (1.665) | 48 (1.890) |
| 120             | KX15-120KL *          | KX15-120NL *             | 47.2 (1.858) | 48.7 (1.917) | 50.3 (1.980) | 56 (2.205) |
| 140             | KX15-140KL *          | KX15-140NL *             | 55.2 (2.173) | 56.7 (2.232) | 58.3 (2.295) | 64 (2.520) |
| 160             | KX15-160KL *          | KX15-160NL *             | 63.2 (2.488) | 64.7 (2.547) | 66.3 (2.610) | 72 (2.835) |

Note 1: \* – Add mounting type code D, F, J or N. Refer to Mounting and Stacking Height Tables.

Note 2: Please consult JAE for availability.

Dimensions in mm (inches).





Компания «ЭлектроПласт» предлагает заключение долгосрочных отношений при поставках импортных электронных компонентов на взаимовыгодных условиях!

Наши преимущества:

- Оперативные поставки широкого спектра электронных компонентов отечественного и импортного производства напрямую от производителей и с крупнейших мировых складов;
- Поставка более 17-ти миллионов наименований электронных компонентов;
- Поставка сложных, дефицитных, либо снятых с производства позиций;
- Оперативные сроки поставки под заказ (от 5 рабочих дней);
- Экспресс доставка в любую точку России;
- Техническая поддержка проекта, помощь в подборе аналогов, поставка прототипов;
- Система менеджмента качества сертифицирована по Международному стандарту ISO 9001;
- Лицензия ФСБ на осуществление работ с использованием сведений, составляющих государственную тайну;
- Поставка специализированных компонентов (Xilinx, Altera, Analog Devices, Intersil, Interpoint, Microsemi, Aeroflex, Peregrine, Syfer, Eurofarad, Texas Instrument, Miteq, Cobham, E2V, MA-COM, Hittite, Mini-Circuits, General Dynamics и др.);

Помимо этого, одним из направлений компании «ЭлектроПласт» является направление «Источники питания». Мы предлагаем Вам помощь Конструкторского отдела:

- Подбор оптимального решения, техническое обоснование при выборе компонента;
- Подбор аналогов;
- Консультации по применению компонента;
- Поставка образцов и прототипов;
- Техническая поддержка проекта;
- Защита от снятия компонента с производства.



#### Как с нами связаться

**Телефон:** 8 (812) 309 58 32 (многоканальный)

**Факс:** 8 (812) 320-02-42

**Электронная почта:** [org@eplast1.ru](mailto:org@eplast1.ru)

**Адрес:** 198099, г. Санкт-Петербург, ул. Калинина, дом 2, корпус 4, литера А.