

GSX **A** **01** **A** **1** **A** - **1**

CONDUIT OPENING	
CODE	DESCRIPTION
A	1/2" NPT
B	PG 13.5
C	20 MM
D	PF 1/2

BASIC SWITCH	
CODE	DESCRIPTION
01	SNAP ACTION, 1 NC - 1 NO
03	SLOW ACTION, 1 NC - 1NO, BREAK BEFORE MAKE
04	SLOW ACTION, 1 NC - 1NO, MAKE BEFORE BREAK
05	SLOW ACTION, 2 NO
06	SLOW ACTION, 2 NC
07	SNAP ACTION, 1 NC - 1 NO, GOLD
20	SNAP ACTION, 2 NC - 2 NO
22	SNAP ACTION, 2 NC - 2 NO, GOLD
33	SLOW ACTION, 1 NC - 1 NO, BREAK BEFORE MAKE, GOLD
34	SLOW ACTION, 1 NC - 1 NO, MAKE BEFORE BREAK, GOLD
35	SLOW ACTION, 2 NO, GOLD
36	SLOW ACTION, 2 NC, GOLD
40	SLOW ACTION, 4 NC
41	SLOW ACTION, 4 NC, GOLD
42	SLOW ACTION, 2 NC - 1 NO, BREAK BEFORE MAKE
43	SLOW ACTION, 2 NC - 1 NO, BREAK BEFORE MAKE, GOLD
44	SLOW ACTION, 2 NC - 2 NO, BREAK BEFORE MAKE
45	SLOW ACTION, 2 NC - 2 NO, BREAK BEFORE MAKE, GOLD
46	SLOW ACTION, 3 NC - 1 NO, BREAK BEFORE MAKE
47	SLOW ACTION, 3 NC - 1 NO, BREAK BEFORE MAKE, GOLD

HEAD	
CODE	DESCRIPTION
A	SIDE ROTARY MOMENTARY
B	TOP PIN PLUNGER
C	TOP ROLLER PLUNGER
D	TOP ROLLER LEVER

HEAD CODE RESTRICTIONS:
 - HEAD CODE A USES MODIFICATION CODES 1, 2, 3, 4 & 5
 - UNITS WITH HEAD CODES B, C & D DO NOT USE ACTUATOR CODE.

ACTUATOR	
CODE	DESCRIPTION
1	STD. FIXED LENGTH ROLLER
3	YOKE ROLLER
5	OFFSET ROLLER

ACTUATOR CODE RESTRICTIONS:
 - ACTUATOR CODES 1, 3, & 5 USED WITH HEAD CODE A ONLY.
 - ACTUATOR & MODIFICATION CODES DO NOT HAVE TO BE USED (UNLESS OTHERWISE NOTED ABOVE), BUT MODIFICATION CODE CAN BE USED WITHOUT ACTUATOR CODE. IN THAT CASE, THE "DASH" FOLLOWS THE HEAD CODE, FOLLOWED BY THE MODIFICATION CODE. IF NEITHER ACTUATOR OR MODIFICATION CODE IS USED, CATALOG LISTING ENDS WITH A HEAD CODE.

ROLLER	
CODE	DESCRIPTION
A	19 X 6.35 (3/4 X 1/4) NYLON ROLLER
C	25.4 X 12.7 (1 X 1/2) NYLON ROLLER
D	38.1 X 6.35 (1 1/2 X 1/4) NYLON ROLLER
E	19 X 6.35 (3/4 X 1/4) BRONZE ROLLER
W	40 X 12.7 (1 1/2 X 1/2) RUBBER ROLLER
Y	50.9 X 12.7 (2 X 1/2) RUBBER ROLLER

MODIFICATIONS/ SPECIALS	
CODE	DESCRIPTION
1	CLOCKWISE ROTATION
2	COUNTER CLOCKWISE ROTATION
3	HEAD ASSEMBLED WITH ACTUATOR TO RIGHT SIDE
4	HEAD ASSEMBLED WITH ACTUATOR TO LEFT SIDE
5	HEAD ASSEMBLED WITH ACTUATOR TO MOUNTING SURFACE
6	ROLLER PERPENDICULAR TO MOUNTING SURFACE
C	PRE-LEAD CABLE
Q	CONNECTOR

- HEAD CODE A STANDARD ROTATION IS CLOCKWISE AND COUNTER CLOCKWISE ROTATION
 - STANDARD ORIENTATION IS HEAD ASSEMBLED WITH ACTUATOR TOWARD FRONT
 - HEAD CODE D STANDARD HEAD ORIENTATION: ROLLER TO LEFT - HINGE TO RIGHT
 - HEAD CODE D MODIFICATION CODE 5 HEAD ORIENTATION: ROLLER TO FRONT - HINGE TO REAR.
 - HEAD CODE D MODIFICATION CODE 6 HEAD ORIENTATION: ROLLER TO REAR - HINGE TO FRONT.
 - HEAD CODE D MODIFICATION CODE 4 HEAD ORIENTATION: ROLLER TO RIGHT - HINGE TO LEFT

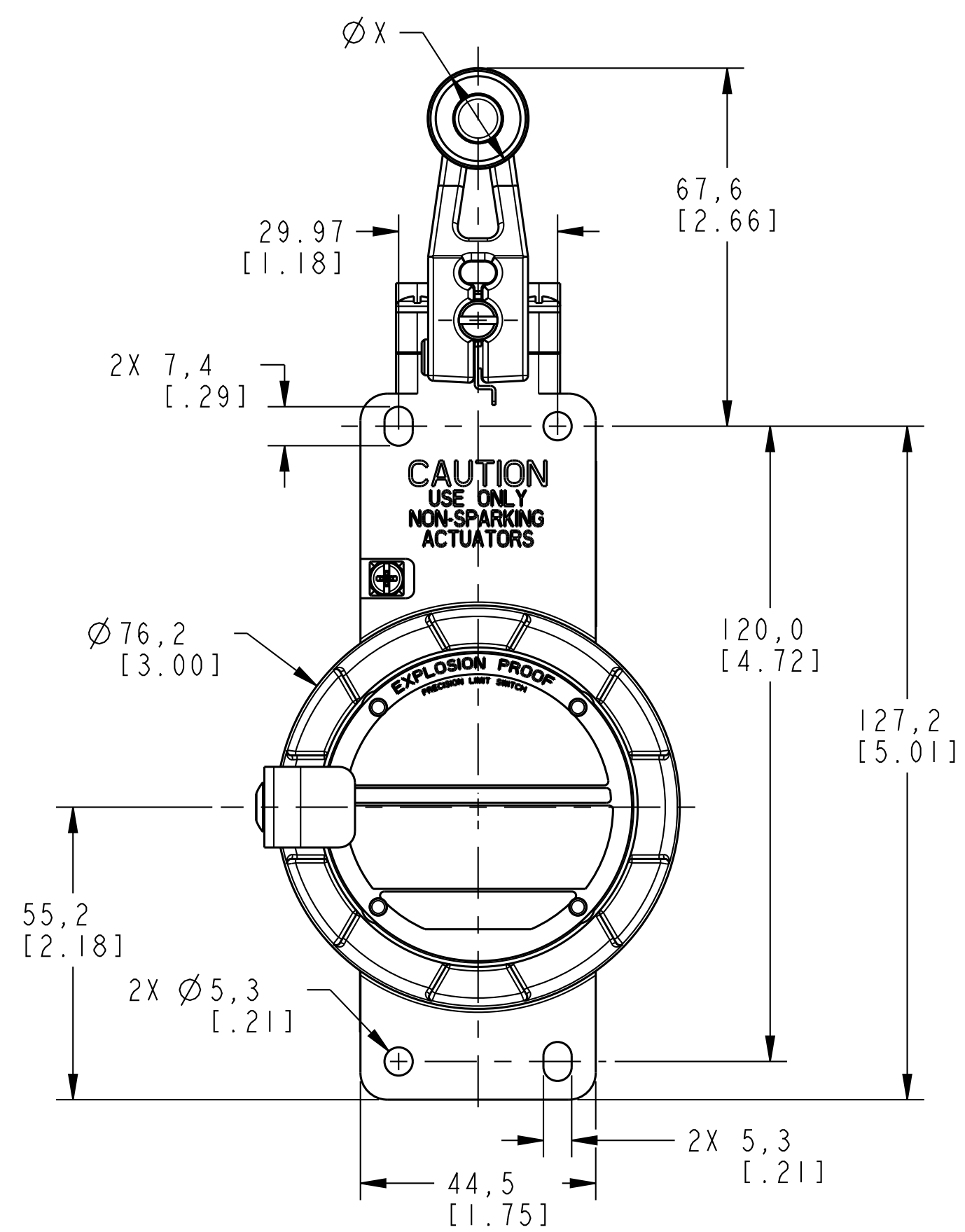
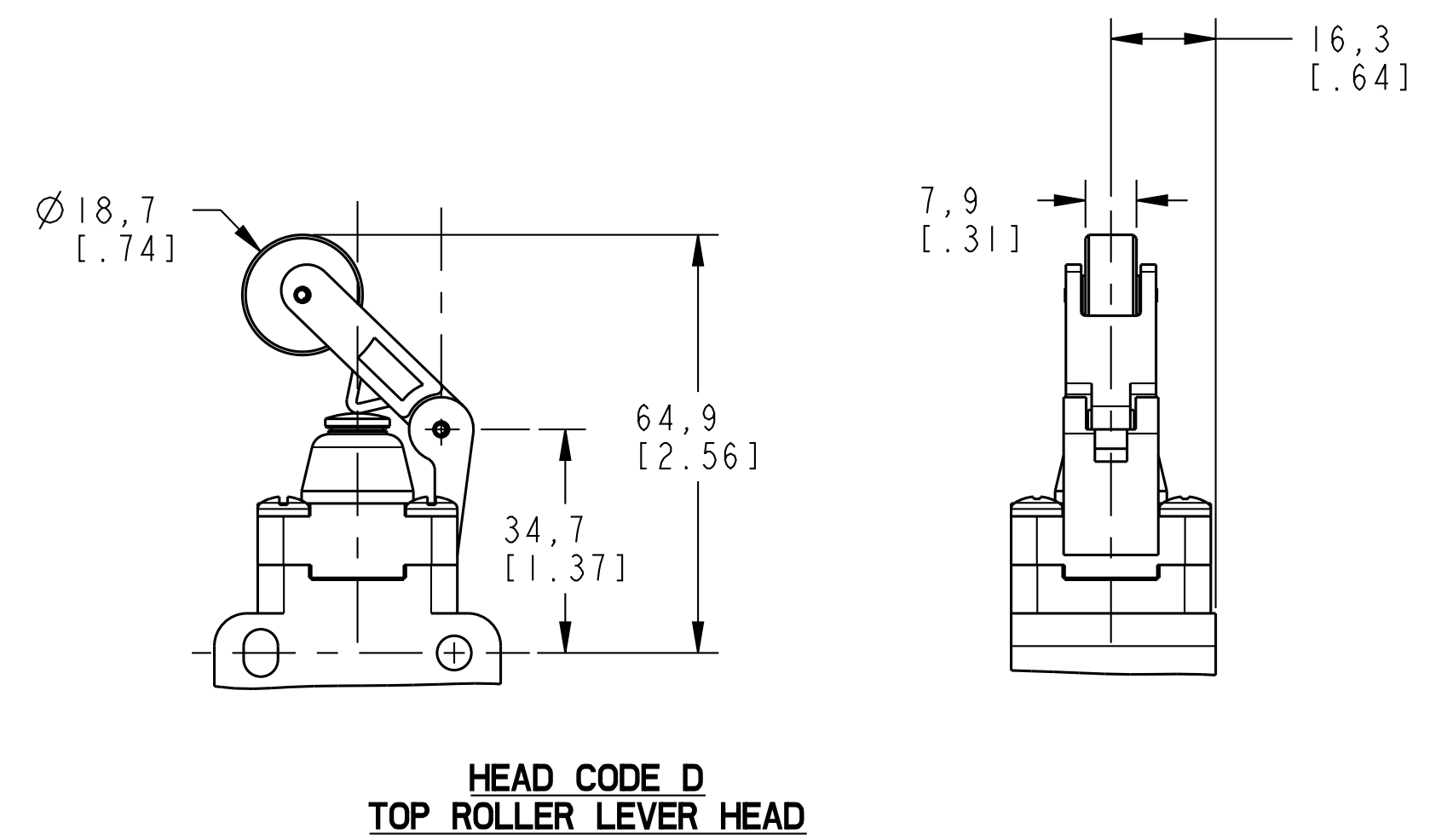
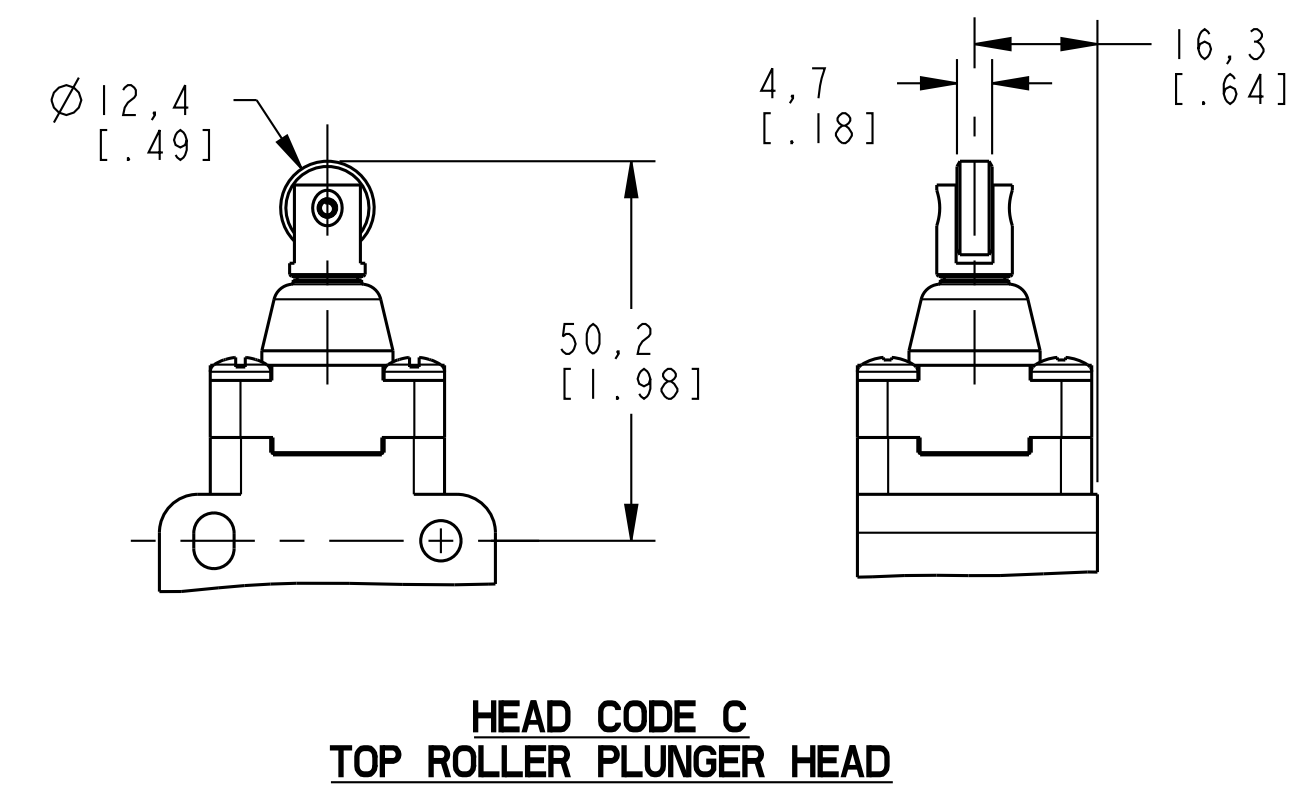
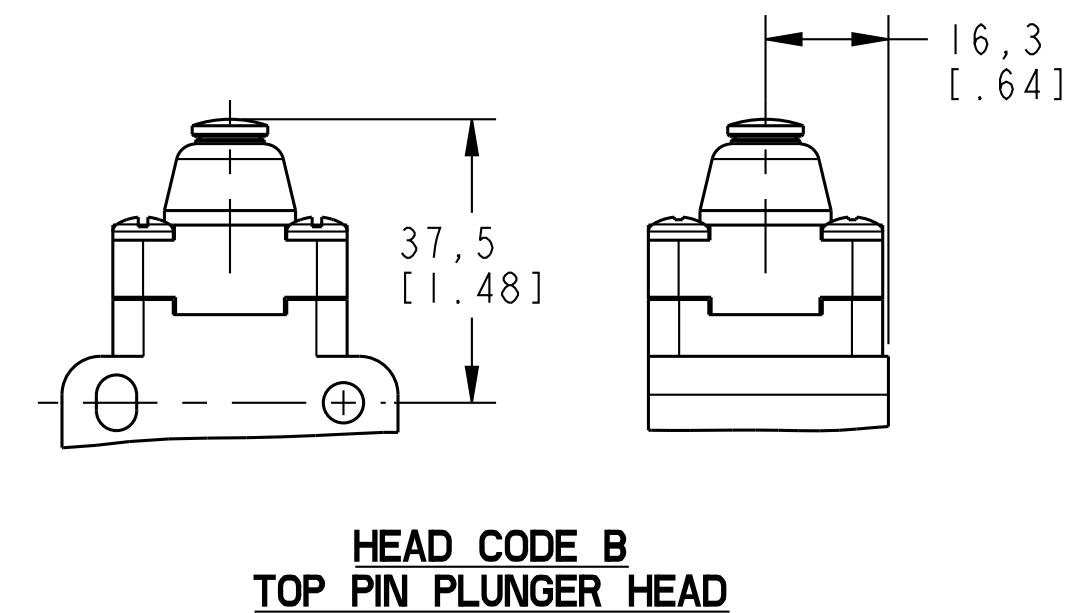
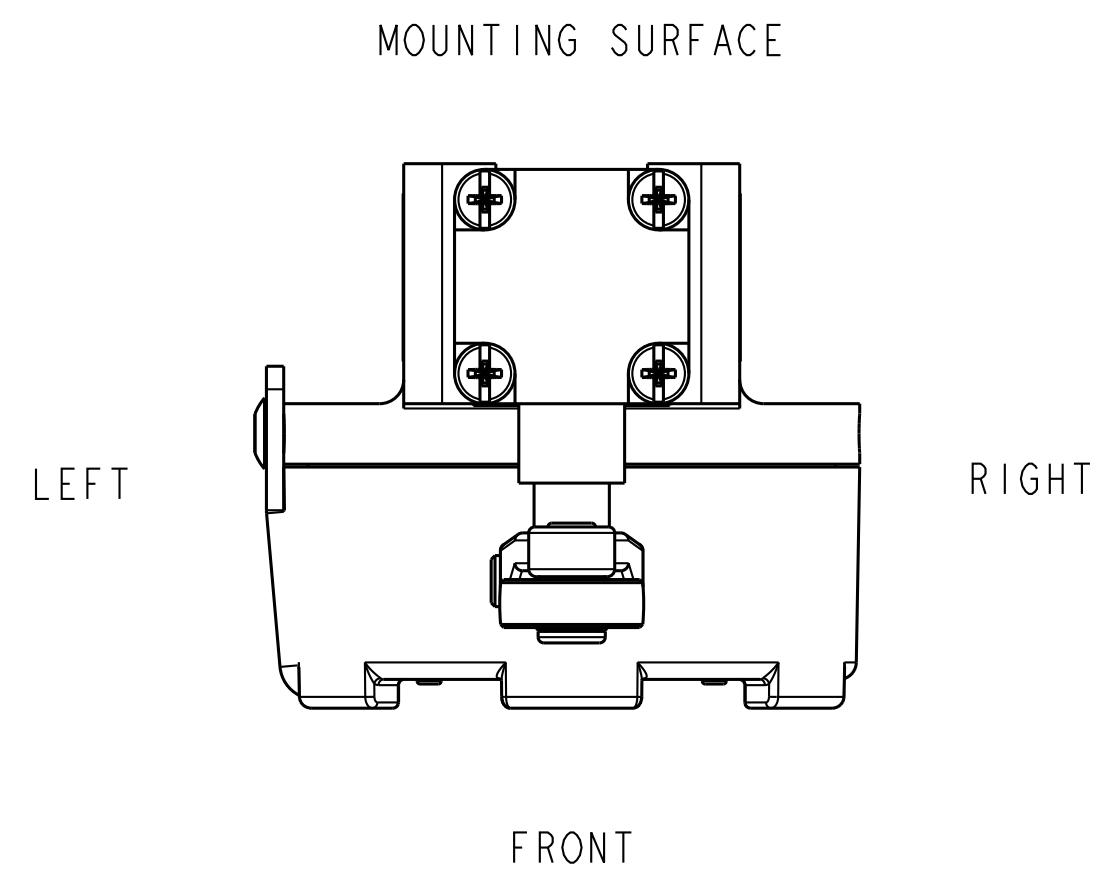
ELECTRICAL RATING				ENVIRONMENTAL RATING		APPROVALS
AC		DC		IP 67		UL 508 LISTED
A600	AC15	Q300	DC13	NEMA 1, 3, 4, 12 AND 13		IEC 60947-5-1
U _e	I _e	U _e	I _e	NEMA TYPE 7, CLASS I FLAMABLE GASES OR VAPORS - GROUP B, C, D		LOW VOLTAGE DIRECTIVE LVD EN60947-1, EN60947-5-1
(VOLTS)	(AMPS)	(VOLTS)	(AMPS)	NEMA TYPE 9, CLASS II COMBUSTABLE DUSTS - GROUP E, F, G		SIRA 08ATEX1073X IECEX SIR 08.0021X
120	6	24	2.8	Ex d IIC T6 ta -40°C TO +70°C Gb / Ex t IIIC T85°C Db		
240	3	125	.55			
380	1.9	250	.27			
480	1.5					
500	1.4					
600	1.2					

NOTES

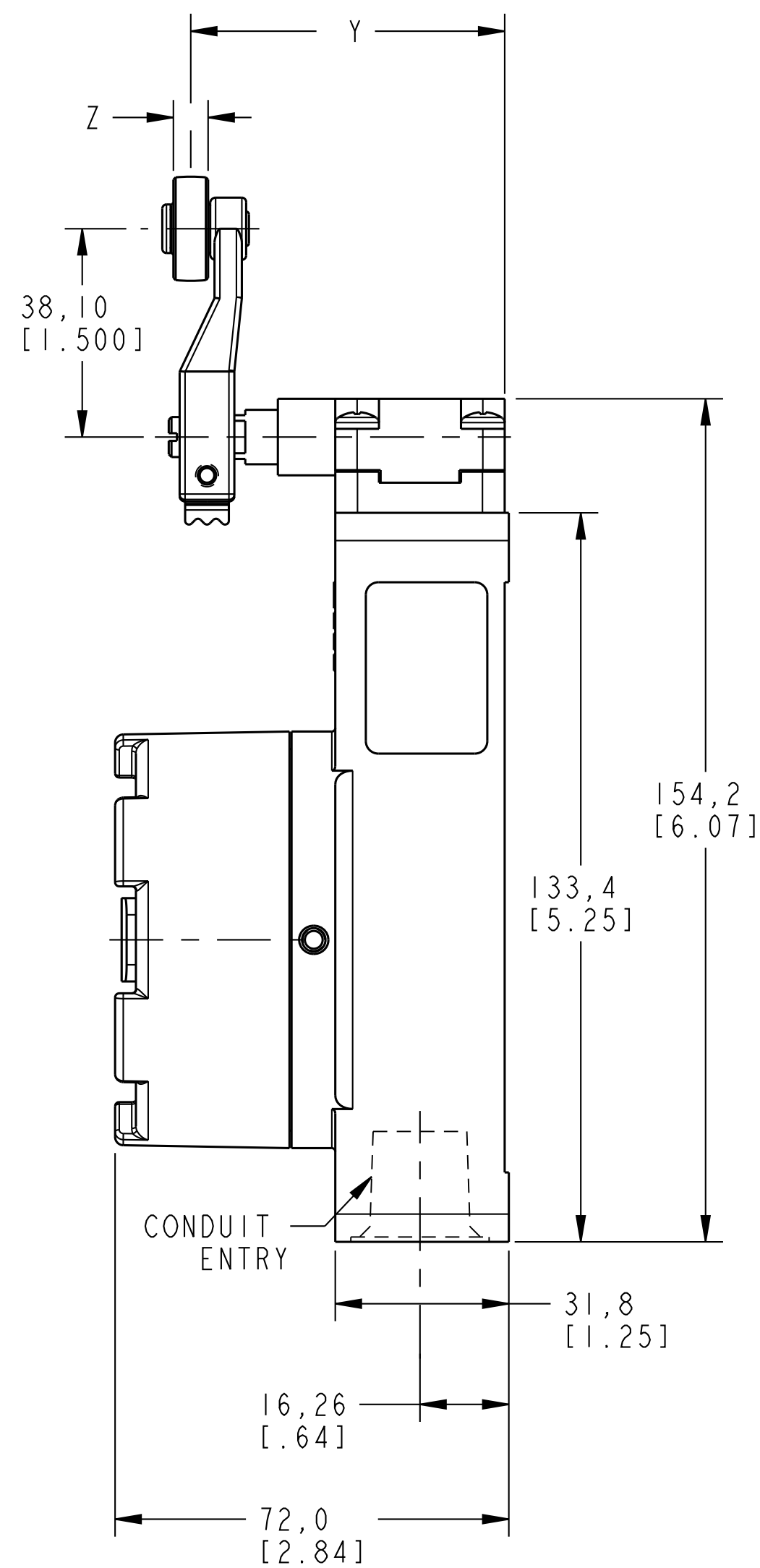
- CONSTRUCTED IN ACCORDANCE WITH EN-50014/EN-50016 GROUP II C.
- EXPLOSION PROOF-UNDERWRITERS LAB INC. LISTED FOR HAZARDOUS LOCATIONS CLASS I, GROUPS B, C AND D; CLASS II GROUPS E, F, AND G.
- APPROVED DRAWING. NO MODIFICATIONS PERMITTED WITHOUT PRIOR APPROVAL FROM CERTIFICATION BODY.
- T-15 TAMPER PROOF TORX DRIVER BIT PROVIDED.
- HEAD MAY BE INDEXED IN 90° INCREMENTS.
- LEVERS MAY BE KEYED TO THE SHAFT AT 90° INCREMENTS. THEY MAY ALSO BE ATTACHED, BUT NOT KEYED ANYWHERE ON THE SHAFT.
- FREE POSITION, OPERATE POINT, OVERTRAVEL AND PRETRAVEL ALL TO EN50041.
- THE MAXIMUM VOLTAGE, V_e OF "06" AND "36" BASIC SWITCH CODE IS 500V (A500).

DESIGN UNITS: MM TOLERANCES UNLESS NOTED:	DRAWN: SJS 10 JAN 08 CHECK: SS 10 JAN 08		
NO PLACES .x ± 1.000 ONE PLACE .x ± 0.400 TWO PLACE .xx ± 0.150 THREE PLACE .xxx ± 0.005 ANGLES x ± 3.0°	THIS DRAWING COVERS A PROPRIETARY ITEM AND IS THE PROPERTY OF HONEYWELL. THIS DRAWING IS NOT TO BE COPIED OR USED WITHOUT THE PERMISSION OF HONEYWELL.		
THIRD ANGLE PROJECTION	INTERPRET PER ASME Y14.5M-1994 OTHER HONEYWELL ENGINEERING STANDARDS MAY APPLY	SIZE: D TYPE: I CAGE CODE: - DRAWING NAME: GSX_SERIES_CHART_1	REV: D
	Pro/ENGINEER 3D SCALE: 1:1	SHEET 1 OF 3	

ACTUATOR CODE	LEVER	ROLLER MATL	"X" DIM \varnothing	"Y" DIM	"Z" DIM WIDTH
1A	GLZ51A	NYLON	19,0 [.75]	55,9 [2.20]	6,4 [.25]
1C	GLZ51C	NYLON	25,4 [1.00]	59,2 [2.33]	12,7 [.50]
1D		NYLON	38,1 [1.50]	55,9 [2.20]	6,4 [.25]
1E	GLZ51D	BRONZE	19,0 [.75]	55,9 [2.20]	6,4 [.25]
1W		RUBBER	38,1 [1.50]	59,2 [2.33]	12,7 [.50]
1Y	GLZ51Y	RUBBER	50,0 [1.97]	57,7 [2.27]	9,9 [.39]
3A	GLZ53A	NYLON	19,0 [.75]	55,9 [2.20]	6,4 [.25]
3C		NYLON	25,4 [1.00]	59,2 [2.33]	12,7 [.50]
3D		NYLON	38,1 [1.50]	55,9 [2.20]	6,4 [.25]
3E	GLZ53C	BRONZE	50,0 [1.97]	55,9 [2.20]	6,4 [.25]
3W		RUBBER	38,1 [1.50]	59,2 [2.33]	12,7 [.50]
3Y		RUBBER	50,0 [1.97]	57,7 [2.27]	9,9 [.39]
5A	GLZ55A	NYLON	50,0 [1.97]	55,9 [2.20]	6,4 [.25]
5C		NYLON	25,4 [1.00]	59,2 [2.33]	12,7 [.50]
5D		NYLON	38,1 [1.50]	55,9 [2.20]	6,4 [.25]
5E	GLZ55C	BRONZE	50,0 [1.97]	55,9 [2.20]	6,4 [.25]
5W		RUBBER	38,1 [1.50]	59,2 [2.33]	12,7 [.50]
5Y		RUBBER	50,0 [1.97]	57,7 [2.27]	9,9 [.39]



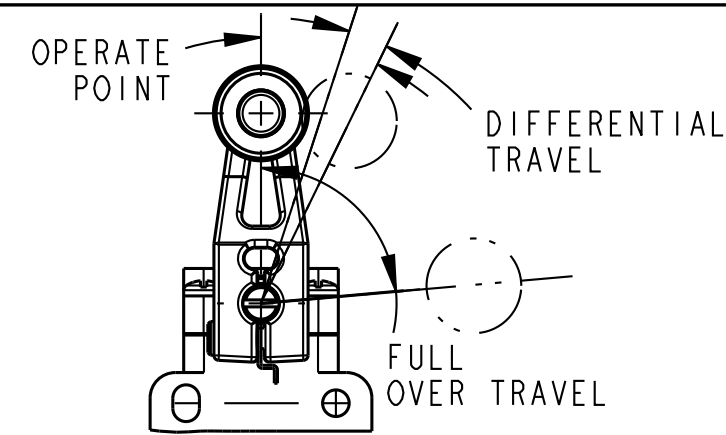
**HEAD CODE A
SIDE ROTARY HEAD WITH GLZ51 SERIES LEVER**



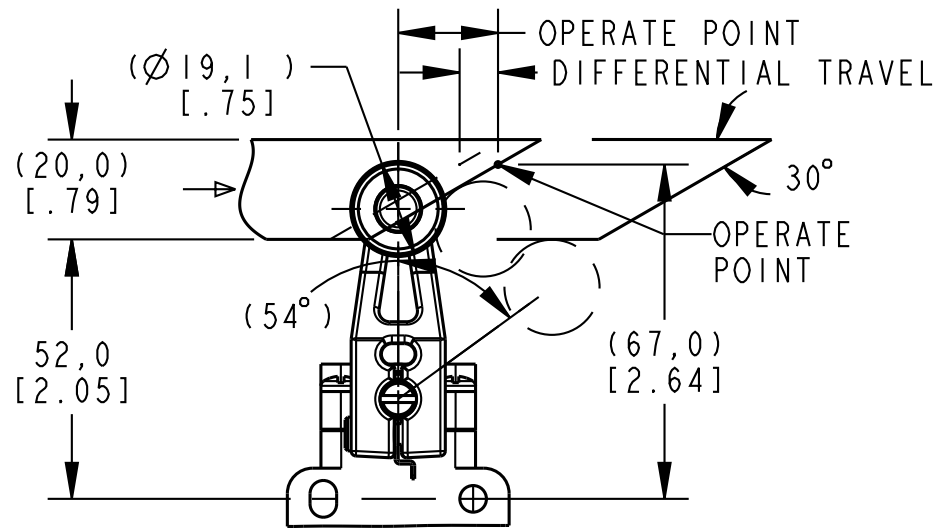
THIS DRAWING COVERS A PROPRIETARY ITEM AND IS THE PROPERTY OF HONEYWELL. THIS DRAWING IS NOT TO BE COPIED OR USED WITHOUT THE PERMISSION OF HONEYWELL.

Honeywell				
SIZE	TYPE	CAGE CODE	DRAWING NAME	REV
D	I	-	GSX SERIES CHART 1	D
SCALE	1 : 1		SHEET	2 OF 3

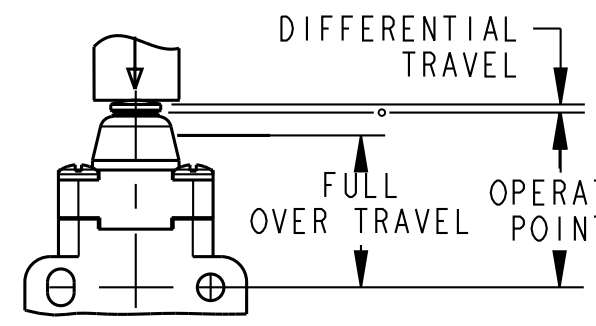
HEAD STYLE



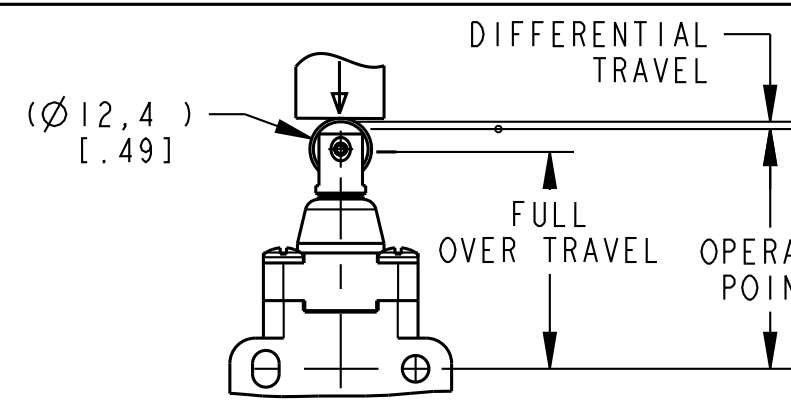
SIDE ROTARY, ANGULAR ACTUATION



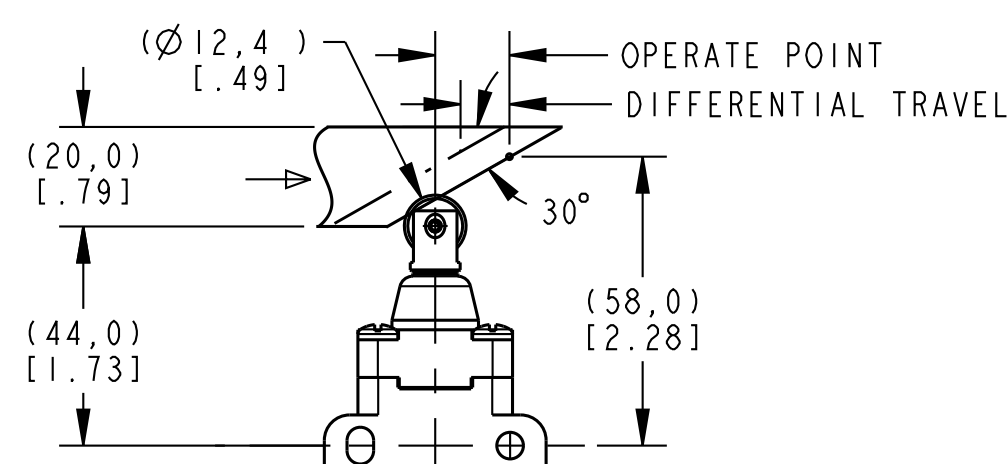
SIDE ROTARY HEAD, CAM ACTUATION PER EN50041



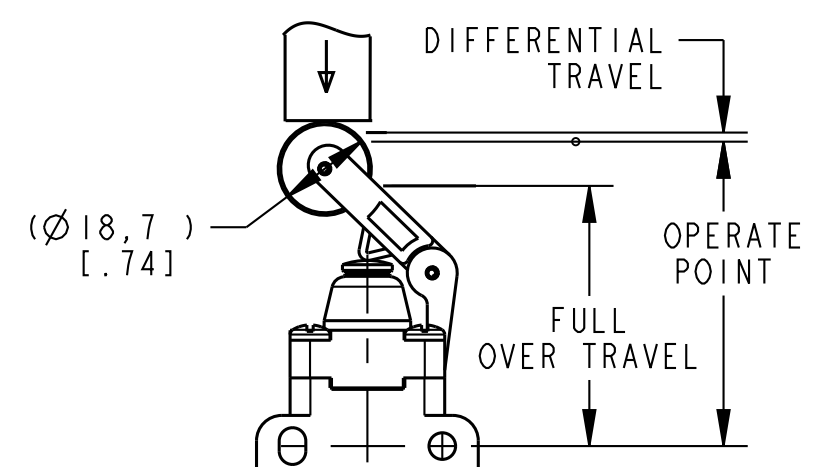
PIN PLUNGER, LINEAR ACTUATION PER EN50041



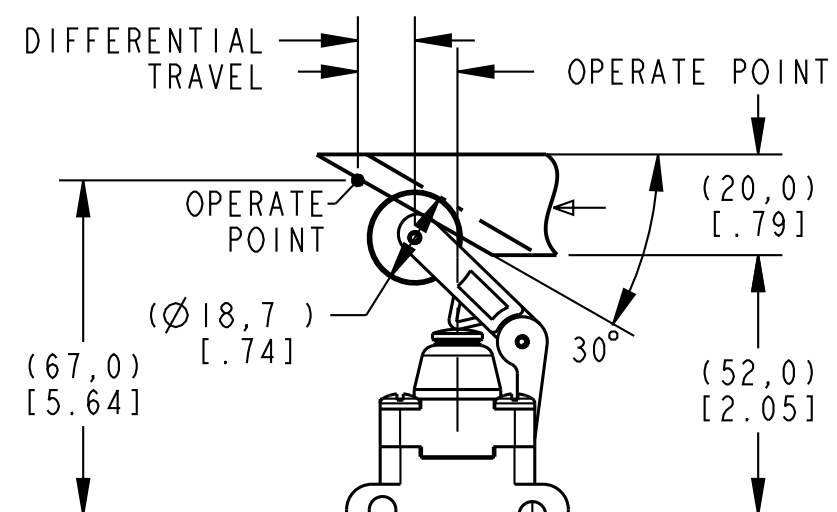
PIN PLUNGER, LINEAR ACTUATION



ROLLER PLUNGER, PIN ACTUATION PER EN50041



TOP ROLLER LEVER HEAD, PIN ACTUATION



TOP ROLLER LEVER, CAM ACTUATION PER EN50041

CATALOG LISTING	FP FREE POSITION mm[in]	OP1 OPERATE POINT NC CONTACTS mm[in]	OP2 OPERATE POINT NO CONTACTS mm[in]	DT DIFFERENTIAL TRAVEL mm[in]	FOT FULL OVER TRAVEL	POSITIVE BREAK TO IEC 947-5-1 mm[in]	MAX OPERATE TORQUE/FORCE N·m[lb·in] / N[lb]	MAX DISCONNECT TORQUE/FORCE N·m[lb·in] / N[lb]	MAX OPERATE VELOCITY m/s [in/s]	MIN OPERATE VELOCITY m/s [in/s]	MAX OPERATE FREQUENCY OPS/MIN
GSX*01A GSX*07A	0*	26*	26*	12*	85*	55*	0,3 [2.6]	0,4 [3.5]	1290 */SEC	13 */SEC	250
GSX*03A GSX*33A	0*	26*	38*	N/A	85*	26*	0,3 [2.6]	0,4 [3.5]	1290 */SEC	13 */SEC	250
GSX*04A GSX*34A	0*	38*	26*	N/A	85*	38*	0,3 [2.6]	0,4 [3.5]	1290 */SEC	13 */SEC	250
GSX*05A GSX*35A	0*	N/A*	38*	N/A	85*	N/A	0,3 [2.6]	0,4 [3.5]	1290 */SEC	13 */SEC	250
GSX*06A GSX*36A	0*	26*	N/A	N/A	85*	26*	0,3 [2.6]	0,4 [3.5]	1290 */SEC	13 */SEC	250
GSX*20A GSX*22A	0*	26*	26*	12*	85*	55*	0,3 [2.6]	0,4 [3.5]	1290 */SEC	13 */SEC	250
GSX*40A GSX*41A	0*	26*	N/A	N/A	85*	26*	0,3 [2.6]	0,4 [3.5]	1290 */SEC	13 */SEC	250
GSX*42A GSX*43A	0*	26*	38*	N/A	85*	26*	0,3 [2.6]	0,4 [3.5]	1290 */SEC	13 */SEC	250
GSX*44A GSX*45A	0*	26*	38*	N/A	85*	26*	0,3 [2.6]	0,4 [3.5]	1290 */SEC	13 */SEC	250
GSX*46A GSX*47A	0*	26*	38*	N/A	85*	26*	0,3 [2.6]	0,4 [3.5]	1290 */SEC	13 */SEC	250
GSX*01A GSX*07A	0	20,0 [0.79]	20,0 [0.79]	12,0 [0.47]	N/A	56,0 [2.20]	9,7 [2.2]	11,4 [2.6]	8,5 [334.6]	8,5 [0.33]	250
GSX*03A GSX*33A	0	20,0 [0.79]	32,0 [1.26]	N/A	N/A	20,0 [0.79]	9,7 [2.2]	11,4 [2.6]	8,5 [334.6]	8,5 [0.33]	250
GSX*04A GSX*34A	0	32,0 [1.26]	20,0 [0.79]	N/A	N/A	32,0 [1.26]	9,7 [2.2]	11,4 [2.6]	8,5 [334.6]	8,5 [0.33]	250
GSX*05A GSX*35A	0	N/A	32,0 [1.26]	N/A	N/A	N/A	9,7 [2.2]	11,4 [2.6]	8,5 [334.6]	8,5 [0.33]	250
GSX*06A GSX*36A	0	20,0 [0.79]	N/A	N/A	N/A	20,0 [0.79]	9,7 [2.2]	11,4 [2.6]	8,5 [334.6]	8,5 [0.33]	250
GSX*20A GSX*22A	0	20,0 [0.79]	20,0 [0.79]	12,0 [0.47]	N/A	56,0 [2.20]	9,7 [2.2]	11,4 [2.6]	8,5 [334.6]	8,5 [0.33]	250
GSX*40A GSX*41A	0	20,0 [0.79]	N/A	N/A	N/A	20,0 [0.79]	9,7 [2.2]	11,4 [2.6]	8,5 [334.6]	8,5 [0.33]	250
GSX*42A GSX*43A	0	20,0 [0.79]	32,0 [1.26]	N/A	N/A	20,0 [0.79]	9,7 [2.2]	11,4 [2.6]	8,5 [334.6]	8,5 [0.33]	250
GSX*44A GSX*45A	0	20,0 [0.79]	32,0 [1.26]	N/A	N/A	20,0 [0.79]	9,7 [2.2]	11,4 [2.6]	8,5 [334.6]	8,5 [0.33]	250
GSX*46A GSX*47A	0	20,0 [0.79]	32,0 [1.26]	N/A	N/A	20,0 [0.79]	9,7 [2.2]	11,4 [2.6]	8,5 [334.6]	8,5 [0.33]	250
GSX*01B GSX*07B	37,5 [1.48]	35,0 [1.38]	35,0 [1.38]	0,9 [0.04]	30,5 [1.20]	33,0 [1.30]	16,0 [3.6]	27,0 [6.0]	0,1 [3.9]	1,0 [0.04]	250
GSX*03B GSX*33B	37,5 [1.48]	35,0 [1.38]	34,0 [1.34]	N/A	30,5 [1.20]	35,0 [1.38]	16,0 [3.6]	27,0 [6.0]	0,1 [3.9]	1,0 [0.04]	250
GSX*04B GSX*34B	37,5 [1.48]	34,0 [1.34]	35,0 [1.38]	N/A	30,5 [1.20]	34,0 [1.34]	16,0 [3.6]	27,0 [6.0]	0,1 [3.9]	1,0 [0.04]	250
GSX*05B GSX*35B	37,5 [1.48]	N/A	34,0 [1.34]	N/A	30,5 [1.20]	N/A	16,0 [3.6]	27,0 [6.0]	0,1 [3.9]	1,0 [0.04]	250
GSX*06B GSX*36B	37,5 [1.48]	35,0 [1.38]	N/A	N/A	30,5 [1.20]	35,0 [1.38]	16,0 [3.6]	27,0 [6.0]	0,1 [3.9]	1,0 [0.04]	250
GSX*20B GSX*22B	37,5 [1.48]	35,0 [1.38]	35,0 [1.38]	0,9 [0.04]	30,5 [1.20]	33,0 [1.30]	16,0 [3.6]	27,0 [6.0]	0,1 [3.9]	1,0 [0.04]	250
GSX*40B GSX*41B	37,5 [1.48]	35,0 [1.38]	N/A	N/A	30,5 [1.20]	35,0 [1.38]	16,0 [3.6]	27,0 [6.0]	0,1 [3.9]	1,0 [0.04]	250
GSX*42B GSX*43B	37,5 [1.48]	35,0 [1.38]	34,0 [1.34]	N/A	30,5 [1.20]	35,0 [1.38]	16,0 [3.6]	27,0 [6.0]	0,1 [3.9]	1,0 [0.04]	250
GSX*44B GSX*45B	37,5 [1.48]	35,0 [1.38]	34,0 [1.34]	N/A	30,5 [1.20]	35,0 [1.38]	16,0 [3.6]	27,0 [6.0]	0,1 [3.9]	1,0 [0.04]	250
GSX*01C GSX*07C	50,5 [1.99]	48,0 [1.89]	48,0 [1.89]	0,9 [0.04]	43,5 [1.71]	46,0 [1.81]	16,0 [3.6]	27,0 [6.0]	0,1 [3.9]	1,0 [0.04]	250
GSX*03C GSX*33C	50,5 [1.99]	48,0 [1.89]	47,0 [1.85]	N/A	43,5 [1.71]	48,0 [1.89]	16,0 [3.6]	27,0 [6.0]	0,1 [3.9]	1,0 [0.04]	250
GSX*04C GSX*34C	50,5 [1.99]	47,0 [1.85]	48 MM	N/A	43,5 [1.71]	47,0 [1.85]	16,0 [3.6]	27,0 [6.0]	0,1 [3.9]	1,0 [0.04]	250
GSX*05C GSX*35C	50,5 [1.99]	N/A	47,0 [1.85]	N/A	43,5 [1.71]	N/A	16,0 [3.6]	27,0 [6.0]	0,1 [3.9]	1,0 [0.04]	250
GSX*06C GSX*36C	50,5 [1.99]	48,0 [1.89]	N/A	N/A	43,5 [1.71]	48,0 [1.89]	16,0 [3.6]	27,0 [6.0]	0,1 [3.9]	1,0 [0.04]	250
GSX*20C GSX*22C	50,5 [1.99]	48,0 [1.89]	48,0 [1.89]	0,9 [0.04]	43,5 [1.71]	46,0 [1.81]	16,0 [3.6]	27,0 [6.0]	0,1 [3.9]	1,0 [0.04]	250
GSX*40C GSX*41C	50,5 [1.99]	48,0 [1.89]	N/A	N/A	43,5 [1.71]	48,0 [1.89]	16,0 [3.6]	27,0 [6.0]	0,1 [3.9]	1,0 [0.04]	250
GSX*42C GSX*43C	50,5 [1.99]	48,0 [1.89]	47,0 [1.85]	N/A	43,5 [1.71]	48,0 [1.89]	16,0 [3.6]	27,0 [6.0]	0,1 [3.9]	1,0 [0.04]	250
GSX*44C GSX*45C	50,5 [1.99]	48,0 [1.89]	47,0 [1.85]	N/A	43,5 [1.71]	48,0 [1.89]	16,0 [3.6]	27,0 [6.0]	0,1 [3.9]	1,0 [0.04]	250
GSX*46C GSX*47C	50,5 [1.99]	48,0 [1.89]	47,0 [1.85]	N/A	43,5 [1.71]	48,0 [1.89]	16,0 [3.6]	27,0 [6.0]	0,1 [3.9]	1,0 [0.04]	250
GSX*01D GSX*07D	65,2 [2.57]	61,0 [2.40]	61,0 [2.40]	1,7 [0.07]	52,0 [2.05]	56,9 [2.24]	9,5 [2.1]	12,7 [2.9]	0,2 [7.9]	2,0 [0.08]	250
GSX*03D GSX*33D	65,2 [2.57]	61,0 [2.40]	59,1 [2.33]	N/A	52,0 [2.05]	61,0 [2.40]	9,5 [2.1]	12,7 [2.9]	0,2 [7.9]	2,0 [0.08]	250
GSX*04D GSX*34D	65,2 [2.57]	59,1 [2.33]	61,0 [2.40]	N/A	52,0 [2.05]	59,1 [2.33]	9,5 [2.1]	12,7 [2.9]	0,2 [7.9]	2,0 [0.08]	250
GSX*05D GSX*35D	65,2 [2.57]	N/A	59,1 [2.33]	N/A	52,0 [2.05]	N/A	9,5 [2.1]	12,7 [2.9]	0,2 [7.9]	2,0 [0.08]	250
GSX*06D GSX*36D	65,2 [2.57]	61,0 [2.40]	N/A	N/A	52,0 [2.05]	61,0 [2.40]	9,5 [2.1]	12,7 [2.9]	0,2 [7.9]	2,0 [0.08]	250
GSX*20D GSX*22D	65,2 [2.57]	61,0 [2.40]	61,0 [2.40]	1,7 [0.07]	52,0 [2.05]	56,9 [2.24]	9,5 [2.1]	12,7 [2.9]	0,2 [7.9]	2,0 [0.08]	250
GSX*40D GSX*41D	65,2 [2.57]	61,0 [2.40]	N/A	N/A	52,0 [2.05]	61,0 [2.40]	9,5 [2.1]	12,7 [2.9]	0,2 [7.9]	2,0 [0.08]	250
GSX*42D GSX*43D	65,2 [2.57]	61,0 [2.40]	59,1 [2.33]	N/A	52,0 [2.05]	61,0 [2.40]	9,5 [2.1]	12,7 [2.9]	0,2 [7.9]	2,0 [0.08]	250
GSX*44D GSX*45D	65,2 [2.57]	61,0 [2.40]	59,1 [2.33]	N/A	52,0 [2.05]	61,0 [2.40]	9,5 [2.1]	12,7 [2.9]	0,2 [7.9]	2,0 [0.08]	250
GSX*46D GSX*47D	65,2 [2.57]	61,0 [2.40]	59,1 [2.33]	N/A	52,0 [2.05]	61,0 [2.40]	9,5 [2.1]	12,7 [2.9]	0,2 [7.9]	2,0 [0.08]	250
GSX*01E GSX*07E	0	20,0 [0.79]	20,0 [0.79]	4,1 [0.16]	N/A	29,1 [1.15]	5,5 [1.2]	7,0 [1.6]	0,3 [11.8]	2,9 [0.11]	250
GSX*03E GSX*33E	0	20,0 [0.79]	24,1 [0.95]	N/A	N/A	20,0 [0.79]	5,5 [1.2]	7,0 [1.6]	0,3 [11.8]	2,9 [0.11]	250
GSX*04E GSX*34E	0	24,1 [0.95]	20,0 [0.79]	N/A	N/A	24,1 [0.95]	5,5 [1.2]	7,0 [1.6]	0,3 [11.8]	2,9 [0.11]	250
GSX*05E GSX*35E	0	N/A	24,1 [0.95]	N/A	N/A	N/A	5,5 [1.2]	7,0 [1.6]	0,3 [11.8]	2,9 [0.11]	250
GSX*06E GSX*36E	0	20,0 [0.79]	N/A	N/A	N/A	20,0 [0.79]	5,5 [1.2]	7,0 [1.6]	0,3 [11.8]	2,9 [0.11]	250
GSX*20E GSX*22E	0	20,0 [0.79]	20,0 [0.79]	4,1 [0.16]	N/A	29,1 [1.15]	5,5 [1.2]	7,0 [1.6]	0,3 [11.8]	2,9 [0.11]	250
GSX*40E GSX*41E	0	20,0 [0.79]	N/A	N/A	N/A	20,0 [0.79]	5,5 [1.2]	7,0 [1.6]	0,3 [11.8]	2,9 [0.11]	250
GSX*42E GSX*43E	0	20,0 [0.79]	24,1 [0.95]	N/A	N/A	20,0 [0.79]	5,5 [1.2]	7,0 [1.6]	0,3 [11.8]	2,9 [0.11]	250
GSX*44E GSX*45E	0	20,0 [0.79]	24,1 [0.95]	N/A	N/A	20,0 [0.79]	5,5 [1.2]	7,0 [1.6]	0,3 [11.8]	2,9 [0.11]	250
GSX*46E GSX*47E	0	20,0 [0.79]	24,1 [0.95]	N/A	N/A	20,0 [0.79]	5,5 [1.2]	7,0 [1.6]	0,3 [11.8]	2,9 [0.11]	250

CIRCUIT DIAGRAMS AND CHARACTERISTICS

BASIC SWITCH CODE	CONTACT BLOCK DIAGRAM	NOMINAL TRAVELS AND RELATED TERMINALS
01 07	SNAP ACTION CONTACTS SINGLE POLE 	
03 33	SLOW ACTING BREAK BEFORE MAKE 	
04 34	SLOW ACTING MAKE BEFORE BREAK 	
05 35	SLOW ACTING 	
06 36	SLOW ACTING 	
20 22	SNAP ACTION CONTACTS DOUBLE POLE 	
40 41	SLOW ACTING 	
42 43	SLOW ACTING BREAK BEFORE MAKE 	
44 45	SLOW ACTING BREAK BEFORE MAKE 	
46 47	SLOW ACTING BREAK BEFORE MAKE 	



Компания «ЭлектроПласт» предлагает заключение долгосрочных отношений при поставках импортных электронных компонентов на взаимовыгодных условиях!

Наши преимущества:

- Оперативные поставки широкого спектра электронных компонентов отечественного и импортного производства напрямую от производителей и с крупнейших мировых складов;
- Поставка более 17-ти миллионов наименований электронных компонентов;
- Поставка сложных, дефицитных, либо снятых с производства позиций;
- Оперативные сроки поставки под заказ (от 5 рабочих дней);
- Экспресс доставка в любую точку России;
- Техническая поддержка проекта, помощь в подборе аналогов, поставка прототипов;
- Система менеджмента качества сертифицирована по Международному стандарту ISO 9001;
- Лицензия ФСБ на осуществление работ с использованием сведений, составляющих государственную тайну;
- Поставка специализированных компонентов (Xilinx, Altera, Analog Devices, Intersil, Interpoint, Microsemi, Aeroflex, Peregrine, Syfer, Eurofarad, Texas Instrument, Miteq, Cobham, E2V, MA-COM, Hittite, Mini-Circuits, General Dynamics и др.);

Помимо этого, одним из направлений компании «ЭлектроПласт» является направление «Источники питания». Мы предлагаем Вам помощь Конструкторского отдела:

- Подбор оптимального решения, техническое обоснование при выборе компонента;
- Подбор аналогов;
- Консультации по применению компонента;
- Поставка образцов и прототипов;
- Техническая поддержка проекта;
- Защита от снятия компонента с производства.



Как с нами связаться

Телефон: 8 (812) 309 58 32 (многоканальный)

Факс: 8 (812) 320-02-42

Электронная почта: org@eplast1.ru

Адрес: 198099, г. Санкт-Петербург, ул. Калинина, дом 2, корпус 4, литера А.