

GSX **A** **0** **1** **A** **1** **A** - **1**

CONDUIT OPENING	
CODE	DESCRIPTION
<b>A</b>	1/2" NPT
<b>B</b>	PG 13.5
<b>C</b>	20 MM
<b>D</b>	PF 1/2

BASIC SWITCH	
CODE	DESCRIPTION
<b>01</b>	SNAP ACTION, 1 NC - 1 NO
<b>03</b>	SLOW ACTION, 1 NC - 1NO, BREAK BEFORE MAKE
<b>04</b>	SLOW ACTION, 1 NC - 1NO, MAKE BEFORE BREAK
<b>05</b>	SLOW ACTION, 2 NO
<b>06</b>	SLOW ACTION, 2 NC
<b>07</b>	SNAP ACTION, 1 NC - 1 NO, GOLD
<b>20</b>	SNAP ACTION, 2 NC - 2 NO
<b>22</b>	SNAP ACTION, 2 NC - 2 NO, GOLD
<b>33</b>	SLOW ACTION, 1 NC - 1 NO, BREAK BEFORE MAKE, GOLD
<b>34</b>	SLOW ACTION, 1 NC - 1 NO, MAKE BEFORE BREAK, GOLD
<b>35</b>	SLOW ACTION, 2 NO, GOLD
<b>36</b>	SLOW ACTION, 2 NC, GOLD
<b>40</b>	SLOW ACTION, 4 NC
<b>41</b>	SLOW ACTION, 4 NC, GOLD
<b>42</b>	SLOW ACTION, 2 NC - 1 NO, BREAK BEFORE MAKE
<b>43</b>	SLOW ACTION, 2 NC - 1 NO, BREAK BEFORE MAKE, GOLD
<b>44</b>	SLOW ACTION, 2 NC - 2 NO, BREAK BEFORE MAKE
<b>45</b>	SLOW ACTION, 2 NC - 2 NO, BREAK BEFORE MAKE, GOLD
<b>46</b>	SLOW ACTION, 3 NC - 1 NO, BREAK BEFORE MAKE
<b>47</b>	SLOW ACTION, 3 NC - 1 NO, BREAK BEFORE MAKE, GOLD

HEAD	
CODE	DESCRIPTION
<b>A</b>	SIDE ROTARY MOMENTARY
<b>B</b>	TOP PIN PLUNGER
<b>C</b>	TOP ROLLER PLUNGER
<b>D</b>	TOP ROLLER LEVER

HEAD CODE RESTRICTIONS:  
 - HEAD CODE A USES MODIFICATION CODES 1, 2, 3, 4 & 5  
 - UNITS WITH HEAD CODES B, C & D DO NOT USE ACTUATOR CODE.





ACTUATOR	
CODE	DESCRIPTION
<b>1</b>	STD. FIXED LENGTH ROLLER
<b>3</b>	YOKE ROLLER
<b>5</b>	OFFSET ROLLER

ACTUATOR CODE RESTRICTIONS:  
 - ACTUATOR CODES 1, 3, & 5 USED WITH HEAD CODE A ONLY.  
 - ACTUATOR & MODIFICATION CODES DO NOT HAVE TO BE USED (UNLESS OTHERWISE NOTED ABOVE), BUT MODIFICATION CODE CAN BE USED WITHOUT ACTUATOR CODE. IN THAT CASE, THE "DASH" FOLLOWS THE HEAD CODE, FOLLOWED BY THE MODIFICATION CODE. IF NEITHER ACTUATOR OR MODIFICATION CODE IS USED, CATALOG LISTING ENDS WITH A HEAD CODE.


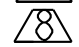
ROLLER	
CODE	DESCRIPTION
<b>A</b>	19 X 6.35 (3/4 X 1/4) NYLON ROLLER
<b>C</b>	25.4 X 12.7 (1 X 1/2) NYLON ROLLER
<b>D</b>	38.1 X 6.35 (1 1/2 X 1/4) NYLON ROLLER
<b>E</b>	19 X 6.35 (3/4 X 1/4) BRONZE ROLLER
<b>W</b>	40 X 12.7 (1 1/2 X 1/2) RUBBER ROLLER
<b>Y</b>	50.9 X 12.7 (2 X 1/2) RUBBER ROLLER



MODIFICATIONS/ SPECIALS	
CODE	DESCRIPTION
<b>1</b>	CLOCKWISE ROTATION
<b>2</b>	COUNTER CLOCKWISE ROTATION
<b>3</b>	HEAD ASSEMBLED WITH ACTUATOR TO RIGHT SIDE
<b>4</b>	HEAD ASSEMBLED WITH ACTUATOR TO LEFT SIDE
<b>5</b>	HEAD ASSEMBLED WITH ACTUATOR TO MOUNTING SURFACE
<b>6</b>	ROLLER PERPENDICULAR TO MOUNTING SURFACE
<b>C</b>	PRE-LEAD CABLE
<b>Q</b>	CONNECTOR

- HEAD CODE A STANDARD ROTATION IS CLOCKWISE AND COUNTER CLOCKWISE ROTATION  
 - STANDARD ORIENTATION IS HEAD ASSEMBLED WITH ACTUATOR TOWARD FRONT  
 - HEAD CODE D STANDARD HEAD ORIENTATION: ROLLER TO LEFT - HINGE TO RIGHT  
 - HEAD CODE D MODIFICATION CODE 5 HEAD ORIENTATION: ROLLER TO FRONT - HINGE TO REAR.  
 - HEAD CODE D MODIFICATION CODE 6 HEAD ORIENTATION: ROLLER TO REAR - HINGE TO FRONT.  
 - HEAD CODE D MODIFICATION CODE 4 HEAD ORIENTATION: ROLLER TO RIGHT - HINGE TO LEFT

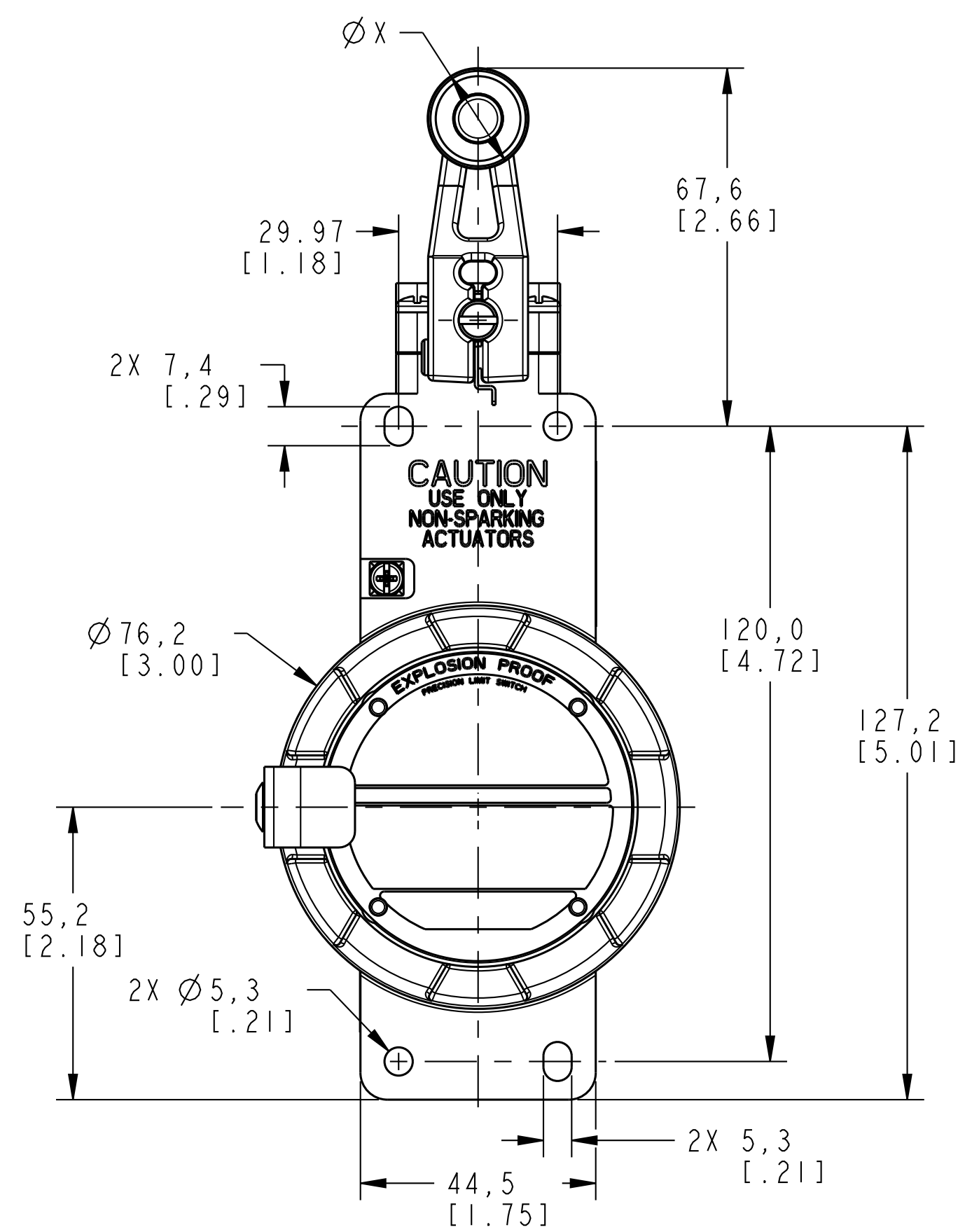
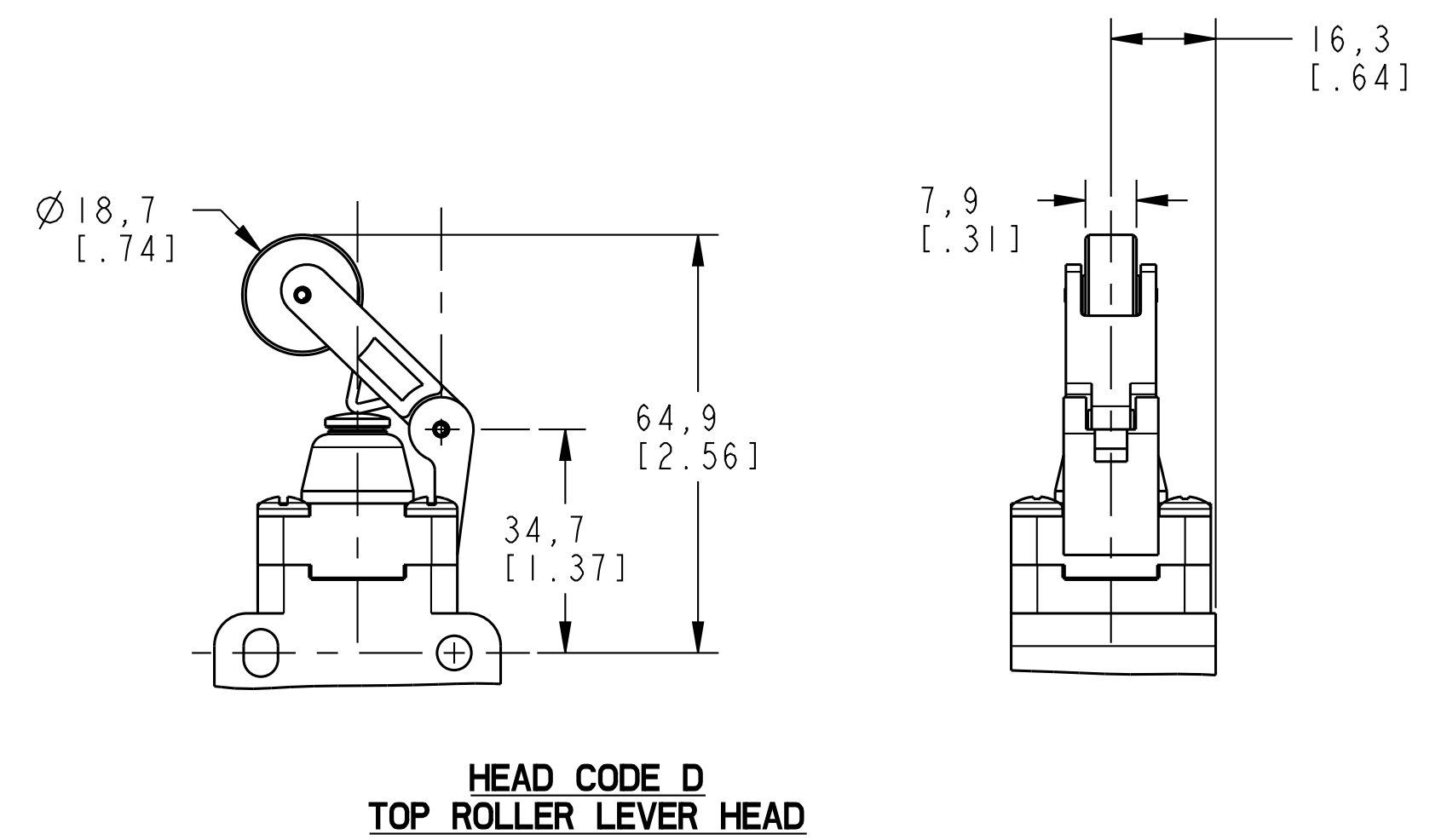
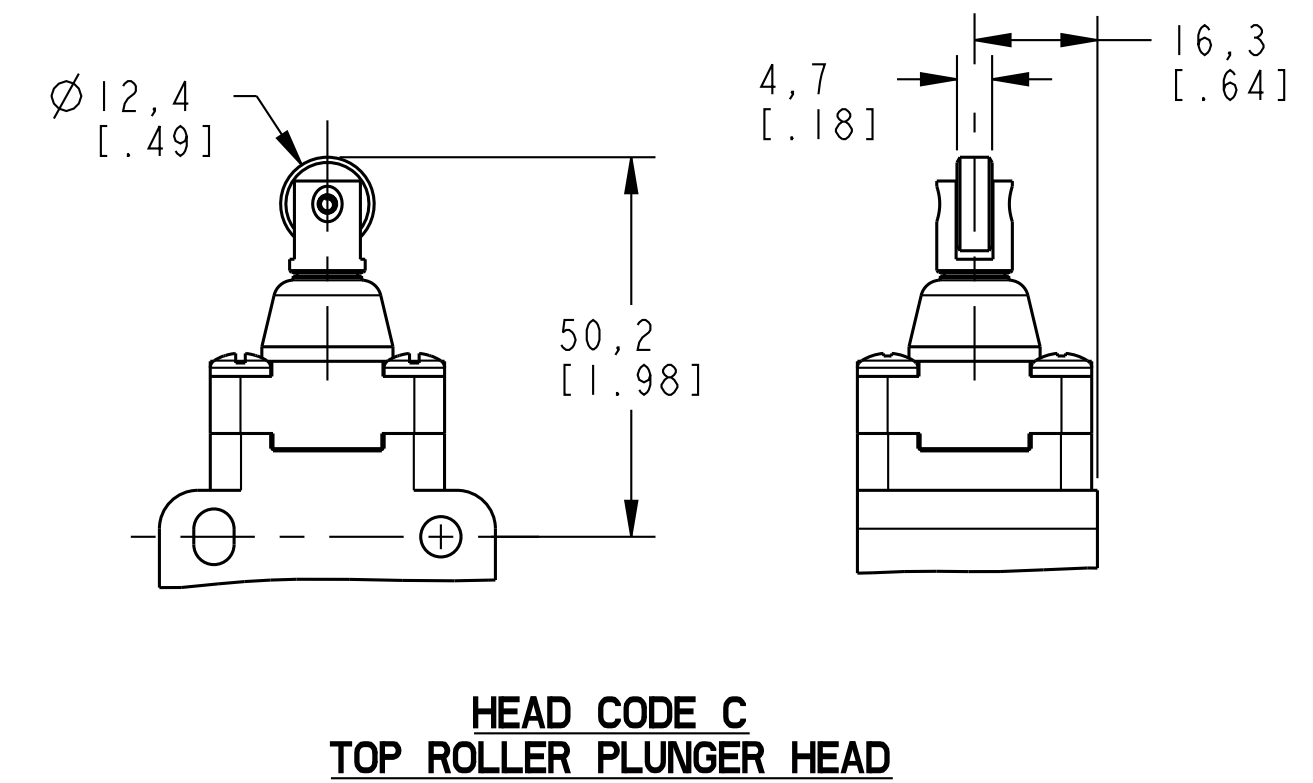
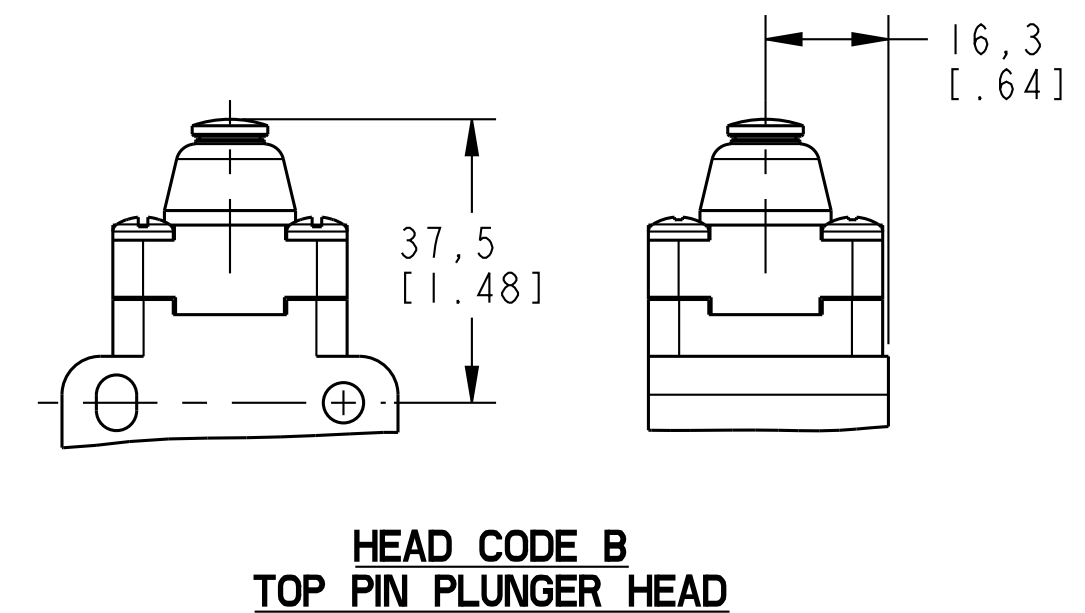
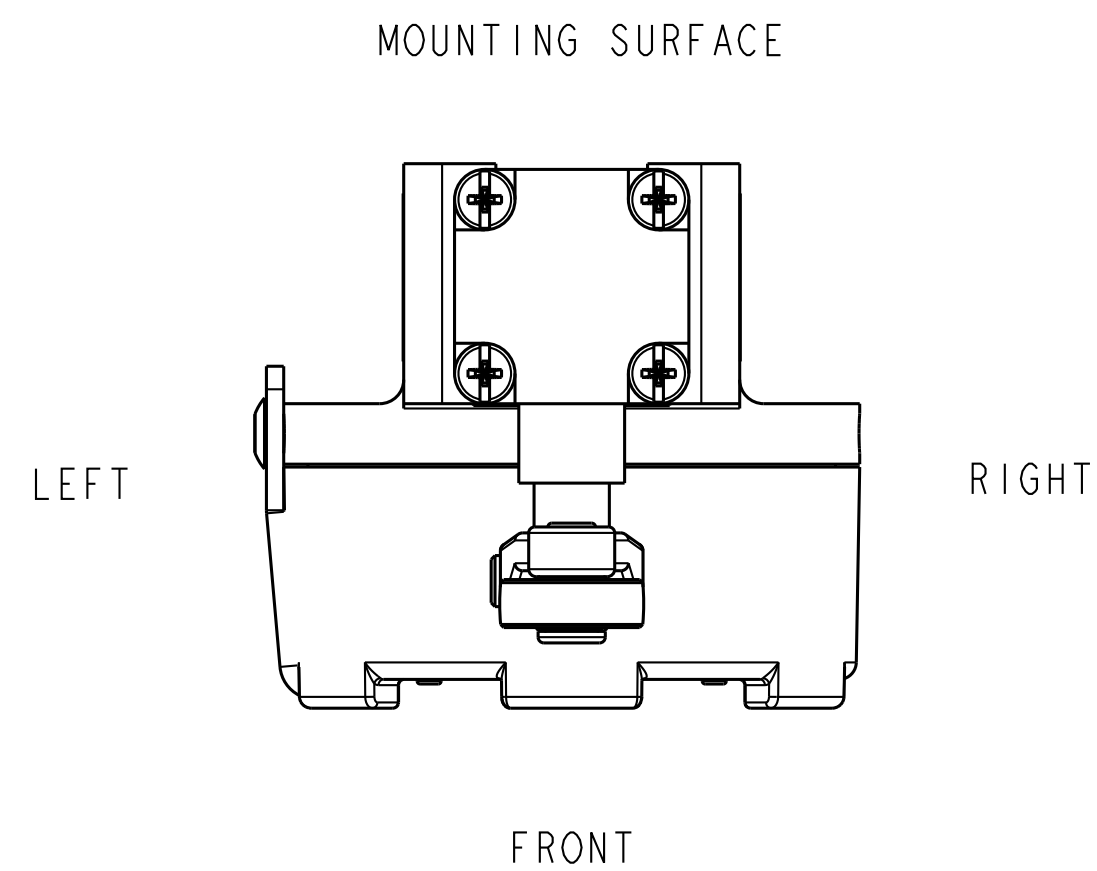
ELECTRICAL RATING 				ENVIRONMENTAL RATING	APPROVALS
AC		DC		IP 67	UL 508 LISTED
A600	AC15	Q300	DC13	NEMA 1, 3, 4, 12 AND 13	IEC 60947-5-1
Ue	Ie	Ue	Ie	NEMA TYPE 7, CLASS I FLAMABLE GASES OR VAPORS - GROUP B, C, D	LOW VOLTAGE DIRECTIVE LVD EN60947-1, EN60947-5-1
(VOLTS)	(AMPS)	(VOLTS)	(AMPS)	NEMA TYPE 9, CLASS II COMBUSTABLE DUSTS - GROUP E, F, G	SIRA 08ATEX1073X IECEX SIR 08.0021X
120	6	24	2.8	Ex d IIC T6 ta -40°C TO +70°C Gb / Ex t IIIC T85°C Db	  
240	3	125	.55		
380	1.9	250	.27		
480	1.5				
500	1.4				
600	1.2				

NOTES

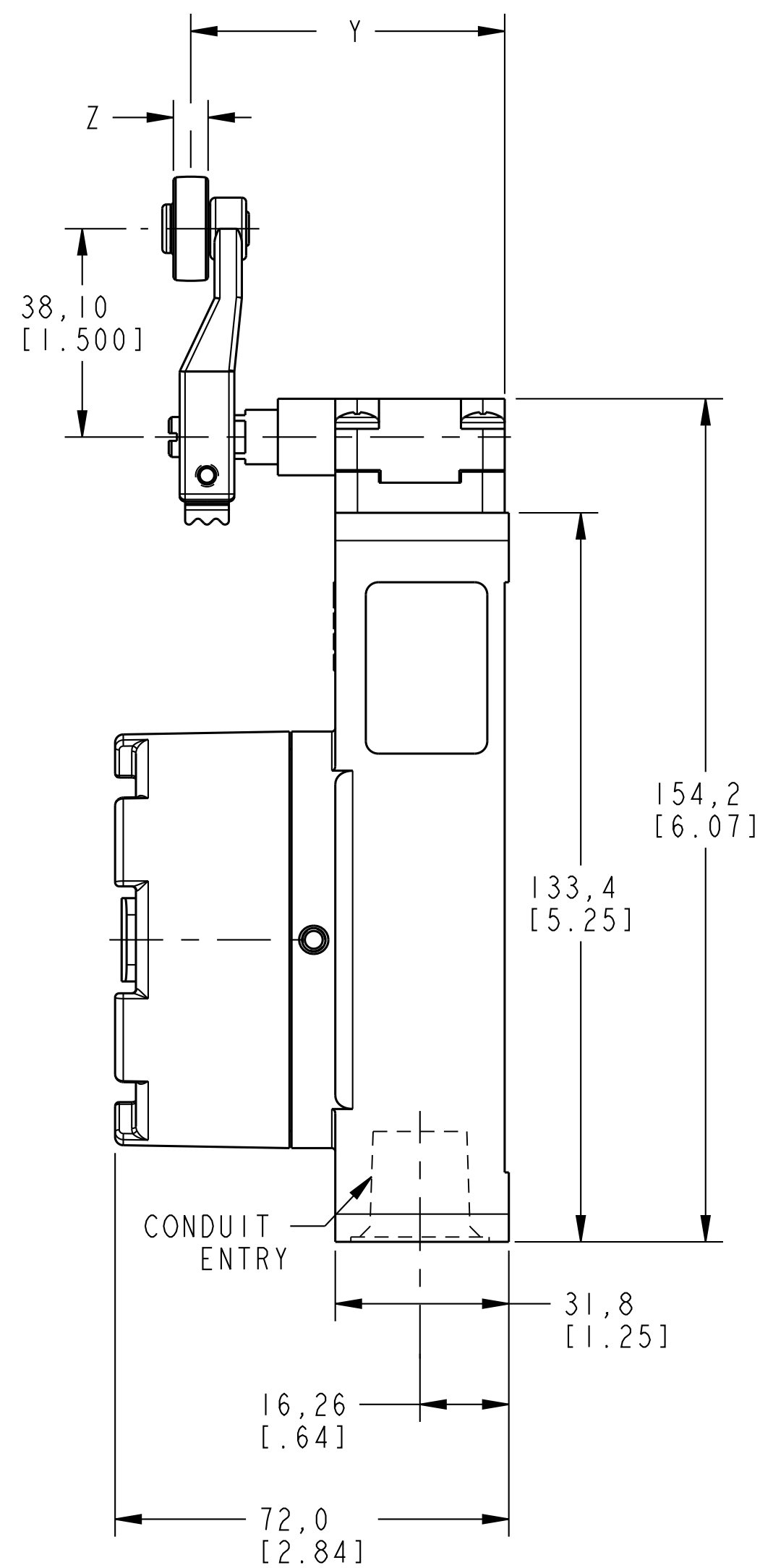
- CONSTRUCTED IN ACCORDANCE WITH EN-50014/EN-50016 GROUP II C.
- EXPLOSION PROOF-UNDERWRITERS LAB INC. LISTED FOR HAZARDOUS LOCATIONS CLASS I, GROUPS B, C AND D; CLASS II GROUPS E, F, AND G.
- APPROVED DRAWING. NO MODIFICATIONS PERMITTED WITHOUT PRIOR APPROVAL FROM CERTIFICATION BODY.
- T-15 TAMPER PROOF TORX DRIVER BIT PROVIDED.
- HEAD MAY BE INDEXED IN 90° INCREMENTS.
- LEVERS MAY BE KEYED TO THE SHAFT AT 90° INCREMENTS. THEY MAY ALSO BE ATTACHED, BUT NOT KEYED ANYWHERE ON THE SHAFT.
-  - FREE POSITION, OPERATE POINT, OVERTRAVEL AND PRETRAVEL ALL TO EN50041.
-  - THE MAXIMUM VOLTAGE, Ve OF "06" AND "36" BASIC SWITCH CODE IS 500V (A500).

DESIGN UNITS: MM TOLERANCES UNLESS NOTED:	DRAWN SJS 10 JAN 08 CHECK SS 10 JAN 08			
NO PLACES .x ± 1.000 ONE PLACE .x ± 0.400 TWO PLACE .xx ± 0.150 THREE PLACE .xxx ± 0.005 ANGLES x ± 3.0°	THIS DRAWING COVERS A PROPRIETARY ITEM AND IS THE PROPERTY OF HONEYWELL. THIS DRAWING IS NOT TO BE COPIED OR USED WITHOUT THE PERMISSION OF HONEYWELL.			TITLE <b>ASSEMBLY, LIMIT SWITCH</b>
THIRD ANGLE PROJECTION 	INTERPRET PER ASME Y14.5M-1994 OTHER HONEYWELL ENGINEERING STANDARDS MAY APPLY	SIZE <b>D</b> TYPE <b>I</b> CAGE CODE <b>-</b> DRAWING NAME <b>GSX_SERIES_CHART_1</b> REV <b>D</b>	Pro/ENGINEER 3D SCALE 1:1 SHEET 1 OF 3	

ACTUATOR CODE	LEVER	ROLLER MATL	"X" DIM $\varnothing$	"Y" DIM	"Z" DIM WIDTH
1A	GLZ51A	NYLON	19,0 [ .75]	55,9 [ 2.20]	6,4 [ .25]
1C	GLZ51C	NYLON	25,4 [ 1.00]	59,2 [ 2.33]	12,7 [ .50]
1D		NYLON	38,1 [ 1.50]	55,9 [ 2.20]	6,4 [ .25]
1E	GLZ51D	BRONZE	19,0 [ .75]	55,9 [ 2.20]	6,4 [ .25]
1W		RUBBER	38,1 [ 1.50]	59,2 [ 2.33]	12,7 [ .50]
1Y	GLZ51Y	RUBBER	50,0 [ 1.97]	57,7 [ 2.27]	9,9 [ .39]
3A	GLZ53A	NYLON	19,0 [ .75]	55,9 [ 2.20]	6,4 [ .25]
3C		NYLON	25,4 [ 1.00]	59,2 [ 2.33]	12,7 [ .50]
3D		NYLON	38,1 [ 1.50]	55,9 [ 2.20]	6,4 [ .25]
3E	GLZ53C	BRONZE	50,0 [ 1.97]	55,9 [ 2.20]	6,4 [ .25]
3W		RUBBER	38,1 [ 1.50]	59,2 [ 2.33]	12,7 [ .50]
3Y		RUBBER	50,0 [ 1.97]	57,7 [ 2.27]	9,9 [ .39]
5A	GLZ55A	NYLON	50,0 [ 1.97]	55,9 [ 2.20]	6,4 [ .25]
5C		NYLON	25,4 [ 1.00]	59,2 [ 2.33]	12,7 [ .50]
5D		NYLON	38,1 [ 1.50]	55,9 [ 2.20]	6,4 [ .25]
5E	GLZ55C	BRONZE	50,0 [ 1.97]	55,9 [ 2.20]	6,4 [ .25]
5W		RUBBER	38,1 [ 1.50]	59,2 [ 2.33]	12,7 [ .50]
5Y		RUBBER	50,0 [ 1.97]	57,7 [ 2.27]	9,9 [ .39]



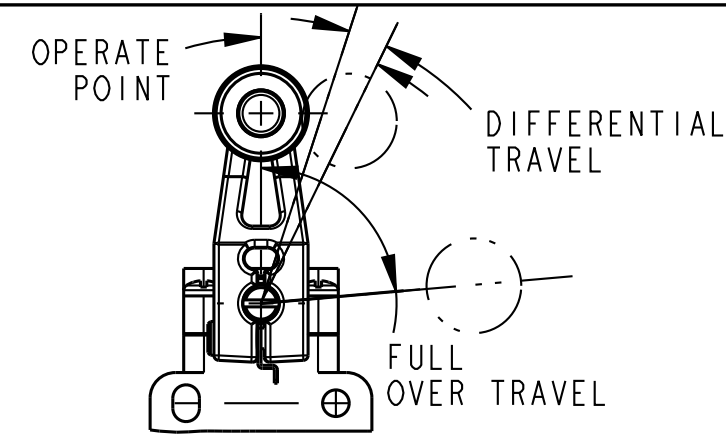
**HEAD CODE A  
SIDE ROTARY HEAD WITH GLZ51 SERIES LEVER**



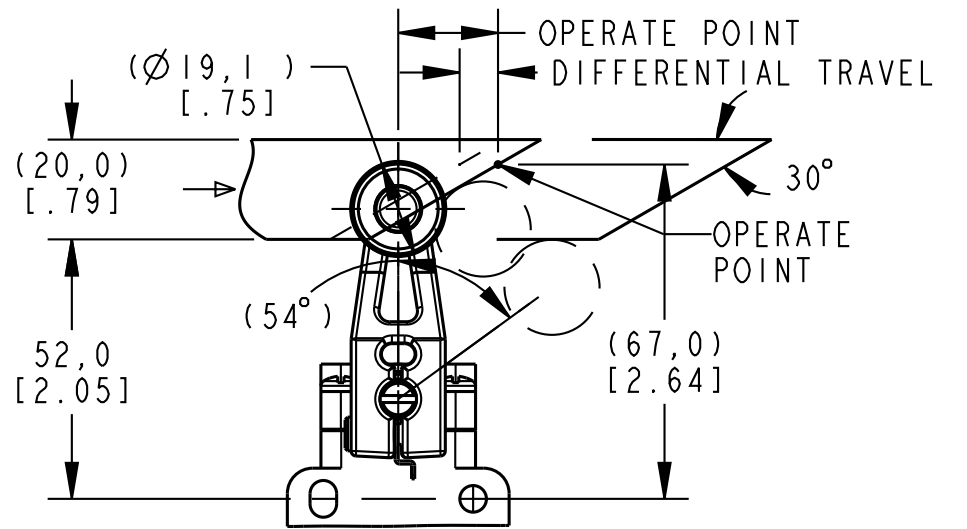
THIS DRAWING COVERS A PROPRIETARY ITEM AND IS THE PROPERTY OF HONEYWELL. THIS DRAWING IS NOT TO BE COPIED OR USED WITHOUT THE PERMISSION OF HONEYWELL.

<b>Honeywell</b>				
SIZE	TYPE	CAGE CODE	DRAWING NAME	REV
D	I	-	GSX SERIES CHART 1	D
SCALE 1:1				SHEET 2 OF 3

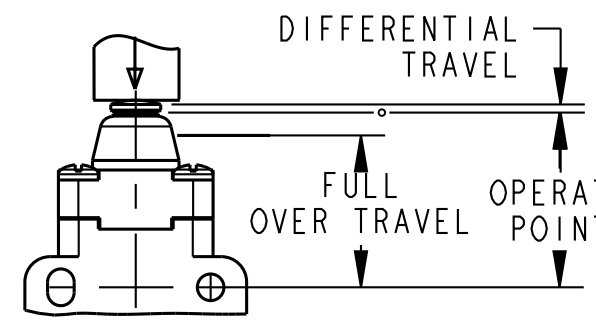
HEAD STYLE



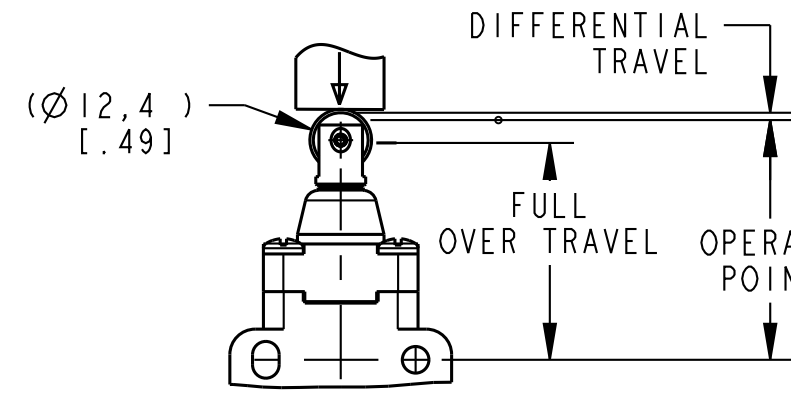
SIDE ROTARY, ANGULAR ACTUATION



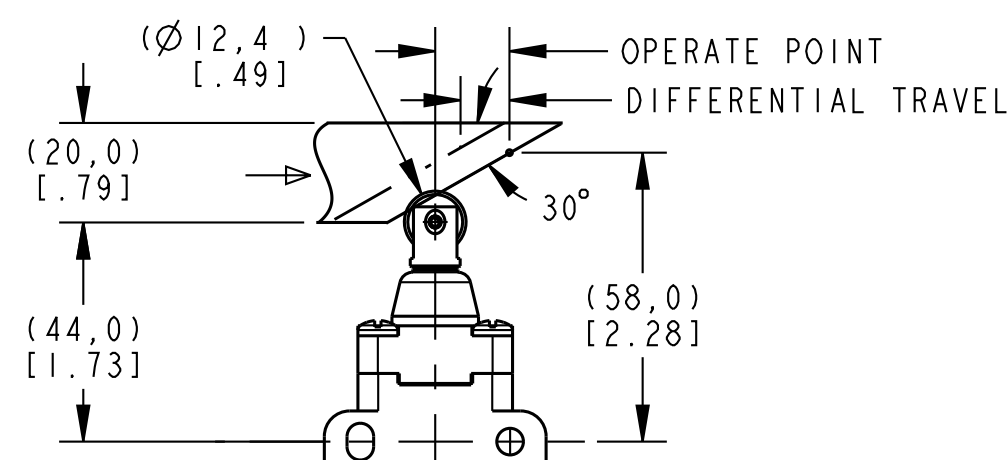
SIDE ROTARY HEAD, CAM ACTUATION PER EN50041



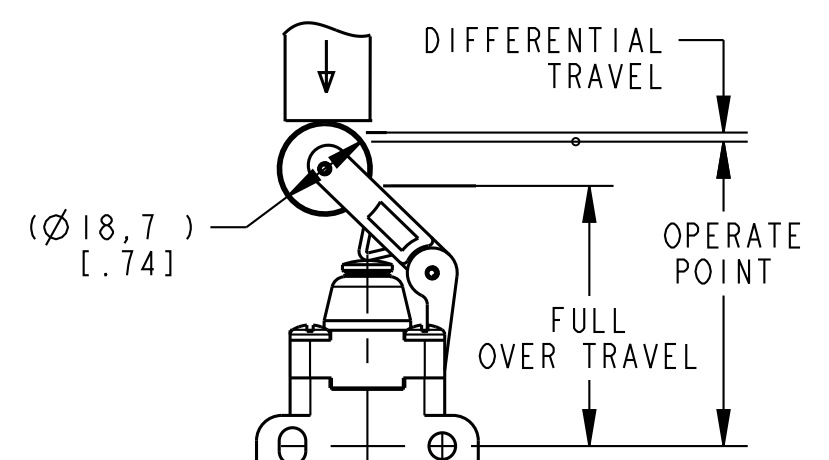
PIN PLUNGER, LINEAR ACTUATION PER EN50041



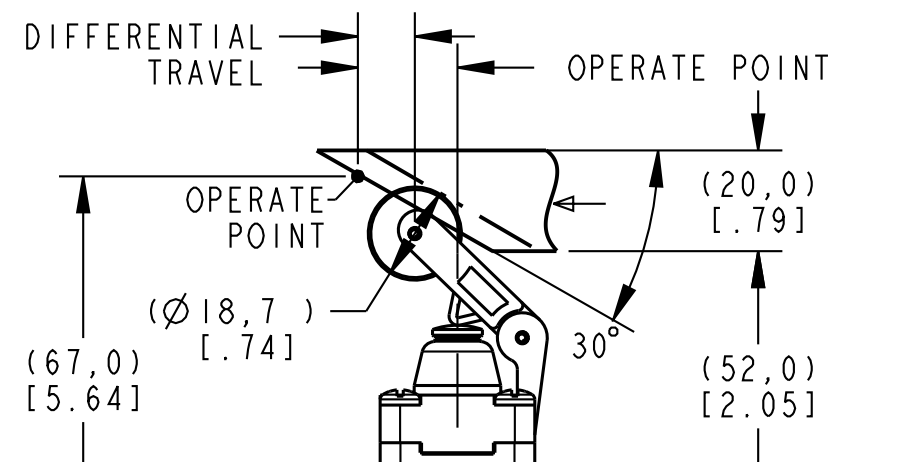
PIN PLUNGER, LINEAR ACTUATION



ROLLER PLUNGER, PIN ACTUATION PER EN50041



TOP ROLLER LEVER HEAD, PIN ACTUATION



TOP ROLLER LEVER, CAM ACTUATION PER EN50041

Table with columns for Catalog Listing, FP Free Position, Operate Point, OP1/OP2, DT, FOT, Positive Break, Max Operate Torque/Force, Max Disconnect Torque/Force, Max Operate Velocity, Min Operate Velocity, and Max Operate Frequency. Rows are grouped by head style (A, B, C, D).

CIRCUIT DIAGRAMS AND CHARACTERISTICS

Grid of circuit diagrams and characteristics for various switch models. Includes contact block diagrams, snap action contacts, slow acting break/make, and terminal diagrams. Includes a legend for nominal travels and related terminals.

THIS DRAWING COVERS A PROPRIETARY ITEM AND IS THE PROPERTY OF HONEYWELL. THIS DRAWING IS NOT TO BE COPIED OR USED WITHOUT THE PERMISSION OF HONEYWELL.

Honeywell

Table with columns: SIZE (D), TYPE (I), CAGE CODE (-), DRAWING NAME (GSX SERIES CHART 1), REV (D), SCALE (1:1), SHEET (3 OF 3).



Компания «ЭлектроПласт» предлагает заключение долгосрочных отношений при поставках импортных электронных компонентов на взаимовыгодных условиях!

Наши преимущества:

- Оперативные поставки широкого спектра электронных компонентов отечественного и импортного производства напрямую от производителей и с крупнейших мировых складов;
- Поставка более 17-ти миллионов наименований электронных компонентов;
- Поставка сложных, дефицитных, либо снятых с производства позиций;
- Оперативные сроки поставки под заказ (от 5 рабочих дней);
- Экспресс доставка в любую точку России;
- Техническая поддержка проекта, помощь в подборе аналогов, поставка прототипов;
- Система менеджмента качества сертифицирована по Международному стандарту ISO 9001;
- Лицензия ФСБ на осуществление работ с использованием сведений, составляющих государственную тайну;
- Поставка специализированных компонентов (Xilinx, Altera, Analog Devices, Intersil, Interpoint, Microsemi, Aeroflex, Peregrine, Syfer, Eurofarad, Texas Instrument, Miteq, Cobham, E2V, MA-COM, Hittite, Mini-Circuits, General Dynamics и др.);

Помимо этого, одним из направлений компании «ЭлектроПласт» является направление «Источники питания». Мы предлагаем Вам помощь Конструкторского отдела:

- Подбор оптимального решения, техническое обоснование при выборе компонента;
- Подбор аналогов;
- Консультации по применению компонента;
- Поставка образцов и прототипов;
- Техническая поддержка проекта;
- Защита от снятия компонента с производства.



#### Как с нами связаться

**Телефон:** 8 (812) 309 58 32 (многоканальный)

**Факс:** 8 (812) 320-02-42

**Электронная почта:** [org@eplast1.ru](mailto:org@eplast1.ru)

**Адрес:** 198099, г. Санкт-Петербург, ул. Калинина, дом 2, корпус 4, литера А.