



OD3010 Series

DC Fan - 5V, 12V
30 x 10mm (1.18 x .39in)



| Model # | Pg # | Voltage | RPM | CFM | Noise Level | Max Static Pressure |
|----------------|------|---------|-------|-----|-------------|----------------------|
| OD3010-05H | 2 | 5 VDC | 10000 | 4.6 | 31 dB | .20 H ₂ O |
| OD3010-12H | 2 | 12 VDC | 10000 | 4.6 | 31 dB | .20 H ₂ O |
| OD3010-12M | 2 | 12 VDC | 9000 | 4.0 | 27 dB | .17 H ₂ O |
| OD3010-12L | 2 | 12 VDC | 8000 | 3.0 | 26 dB | .13 H ₂ O |
| OD3010-05MB | 3 | 5 VDC | 9000 | 4.0 | 30 dB | .17 H ₂ O |
| OD3010-05MB02A | 4 | 5 VDC | 9000 | 4.0 | 30 dB | .17 H ₂ O |
| OD3010-12MB02A | 5 | 12 VDC | 9000 | 4.0 | 27 dB | .17 H ₂ O |

** For some models and part numbers, minimum order quantities may apply.

OD3010 Series



DC Fan - 5, 12V
30x10mm (1.18"x 0.39")



| | | | |
|-----------------------|--|--|--|
| Frame & Impeller | PBT, UL94V-O plastic | Available Options: Tachometer Alarm Life Expectancy (L10) Ball - 60,000 hrs (45C) Sleeve - 30,000 hrs (45C) Operating Temperature Ball: -20 ~ 75C Sleeve: -10 ~ 60C Weight: ~ 0.02 lbs m4/m1 | |
| Connection | 2x Lead wires 28AWG | | |
| Motor | Brushless DC, auto restart, impedance and polarity protected | | |
| Bearing System | Ball bearing or Sleeve | | |
| Insulation Resistance | 10M ohm between leadwire and frame (500VDC) | | |
| Dielectric Strength | 1 second at 500 VAC, max leakage - 500 MicroAmp | | |
| Storage Temperature | -40C ~ +80C | | |

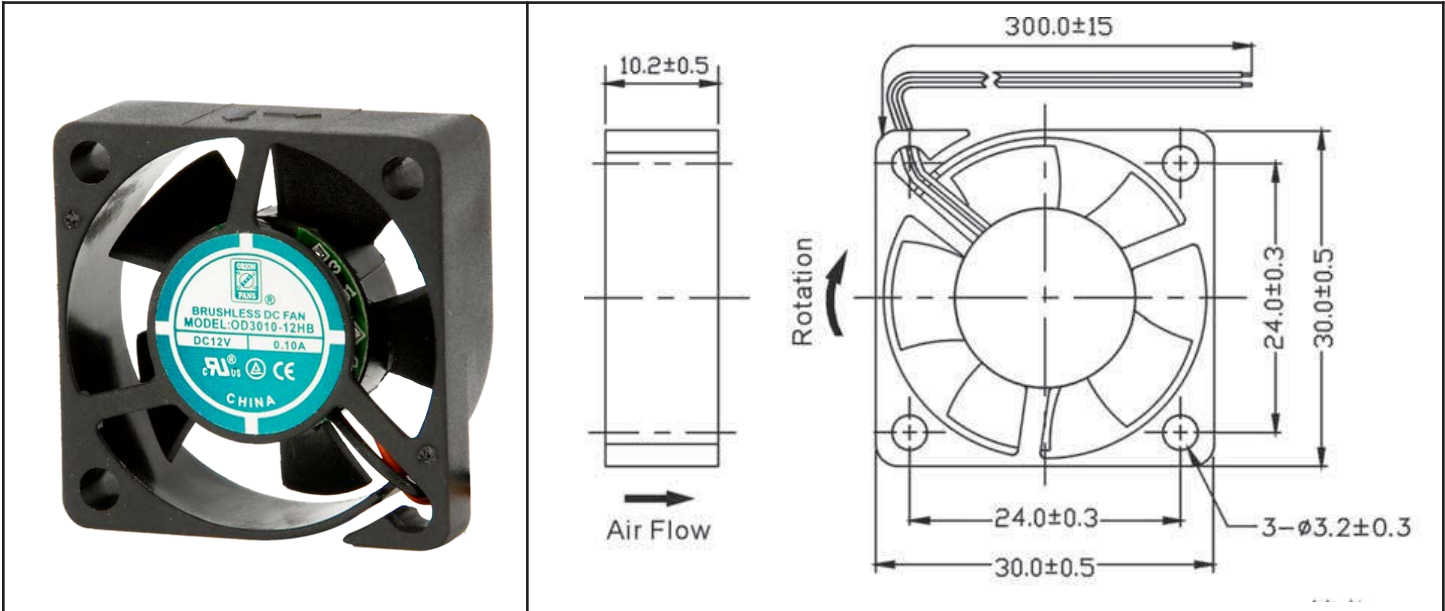
| Model Number | Speed (RPM) | Airflow (CFM) | Noise (dB) | Volts DC | Voltage Range (VDC) | Amps | Max. Static Pressure ("H2O) |
|--------------|-------------|---------------|------------|----------|---------------------|------|-----------------------------|
| OD3010-05H * | 10000 | 4.6 | 31 | 05 | 4.5~5.5 | 0.17 | 0.20 |
| OD3010-12H * | 10000 | 4.6 | 31 | 12 | 9~13.2 | 0.10 | 0.20 |
| OD3010-12M * | 9000 | 4.0 | 27 | 12 | 9~13.2 | 0.09 | 0.17 |
| OD3010-12L * | 8000 | 3.0 | 26 | 12 | 9~13.2 | 0.06 | 0.13 |

* Indicate "B" for ball bearing or "S" for sleeve bearing

OD3010-05MB



DC Fan, 05VDC
30x10mm (1.18x.39in)



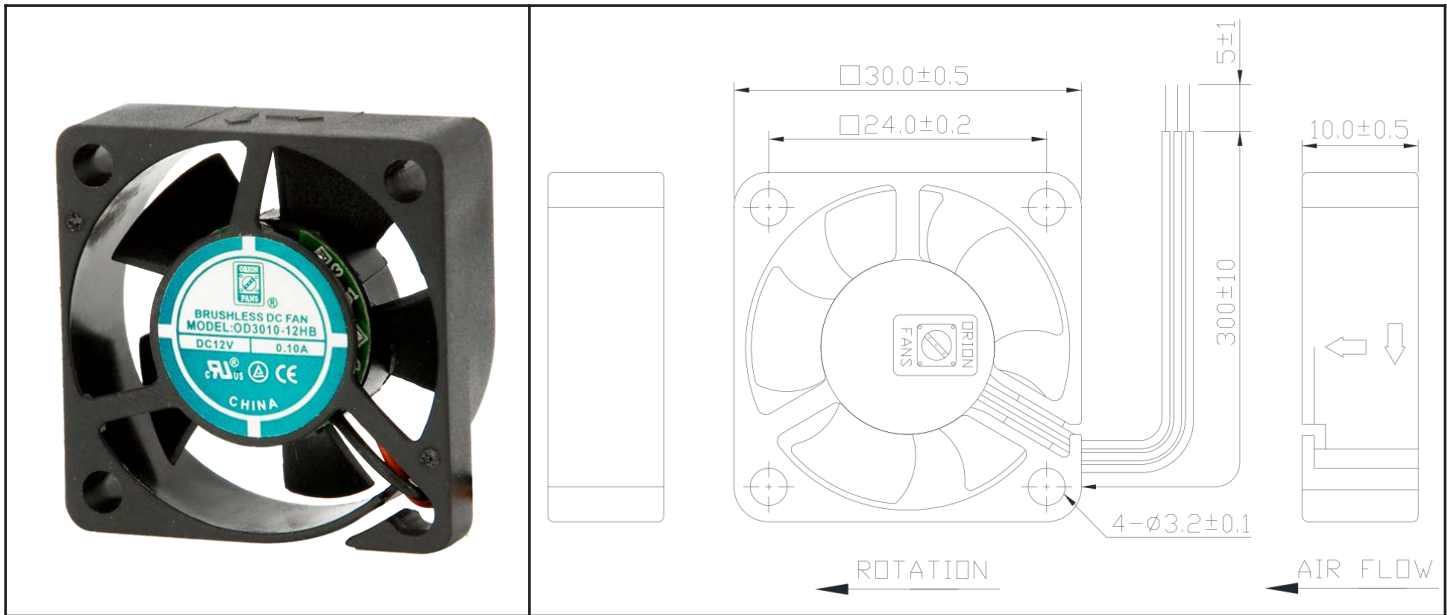
| | | | |
|-----------------------|---|---|--|
| Frame & Impeller | PBT, UL94V-0 plastic | <u>Available Options</u> IP55 Other speeds and voltages Tachometer Alarm *Connection: Wire Leads - UL1007 28AWG Red(+), Black (-) Weight: 8 g | |
| Connection | 2x Lead wires * | | |
| Motor | Brushless DC, auto restart, polarity protected. | | |
| Bearing System | Dual ball bearing | | |
| Insulation Resistance | Min. 10M at 500VDC | | |
| Dielectric Strength | 1 second at 500VAC max leakage 500 microamp | | |
| Temperature Range | -20C ~ +75C | | |
| Storage Temperature | -40C ~ +80C | | |
| Life (L10) | 60,000 hours (40C) | | |

| | |
|----------------------|-----------------------|
| Model Number | OD3010-05MB |
| Part Number | 130531001 |
| Nominal Voltage | 5 VDC |
| Voltage Range | 4.5 ~ 5.5 VDC |
| Nominal Current | .08 A |
| Rated Power | .40 Watts |
| Rated Speed (RPM) | 9000 |
| Airflow (CFM) | 4.0 |
| Noise Level (dB) | 30 |
| Max. Static Pressure | .17 "H ₂ O |

OD3010-05MB02A



DC Fan, 05VDC
30x10mm (1.18x.39in)



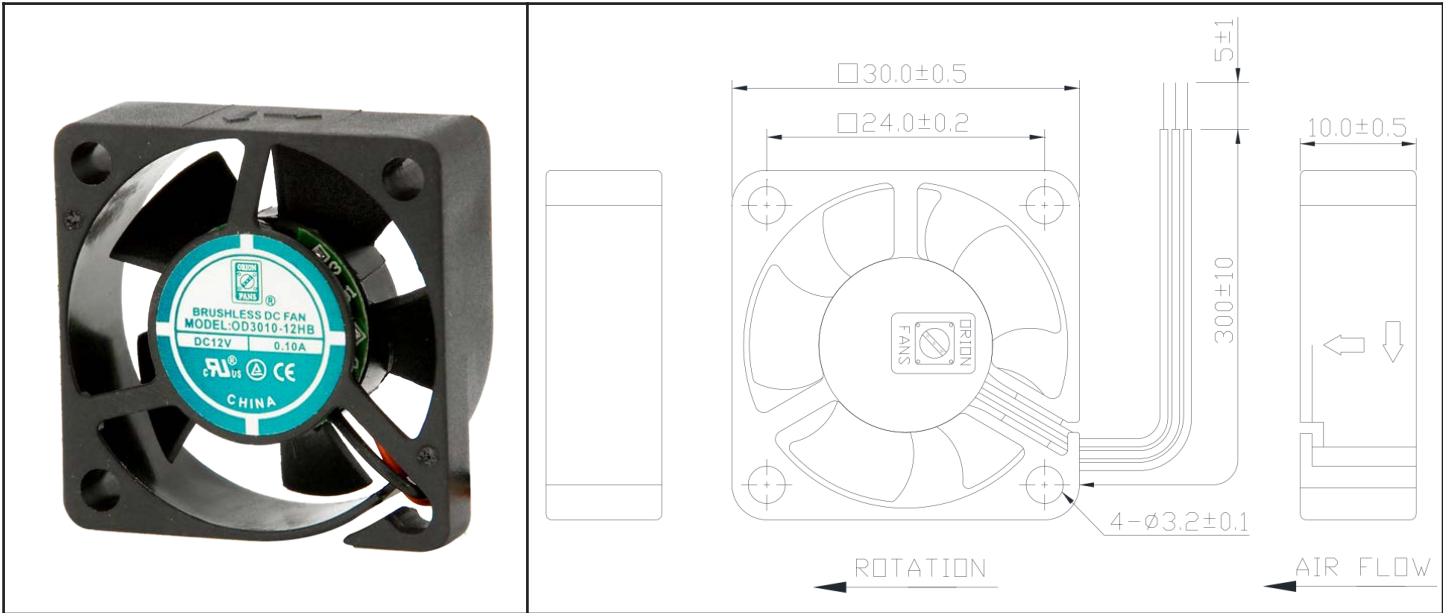
| | | | |
|-----------------------|---|--|--|
| Frame & Impeller | PBT, UL94V-0 plastic | Available Options IP55 Other speeds and voltages Tachometer *Connection: Wire Leads - UL1007 28AWG Red(+), Black (-) Alarm Yellow Weight: 8 g | |
| Connection | 3x Lead wires * | | |
| Motor | Brushless DC, auto restart, polarity protected. | | |
| Bearing System | Dual ball bearing | | |
| Insulation Resistance | Min. 10M at 500VDC | | |
| Dielectric Strength | 1 second at 500VAC max leakage 500 microamp | | |
| Temperature Range | -20C ~ +75C | | |
| Storage Temperature | -40C ~ +80C | | |
| Life (L10) | 60,000 hours (40C) | | |

| | | |
|----------------------|-----------------------|---|
| Model Number | OD3010-05MB02A | <p>Output of locked signal *Output type.....Open collector type *Electrical design suggestion: (External signal function design is decided by customer)</p> <p>*Transistor Q1 at "ON" position Collector current.....$I_c=10\text{mA Max}$ Saturation Voltage.....$V_{ce}=1.0\text{V Max}$ (Between Collector and Emitter at $I_c=10\text{mA}$) *Transistor Q1 at "OFF" position Release Voltage.....$V_{ce}=5.5\text{V Max}$</p> <p>*Output waveform</p> |
| Part Number | 130531231 | |
| Nominal Voltage | 5 VDC | |
| Voltage Range | 4.5 ~ 5.5 VDC | |
| Nominal Current | .08 A | |
| Rated Power | .40 Watts | |
| Rated Speed (RPM) | 9000 | |
| Airflow (CFM) | 4.0 | |
| Noise Level (dB) | 30 | |
| Max. Static Pressure | .17 "H ₂ O | |

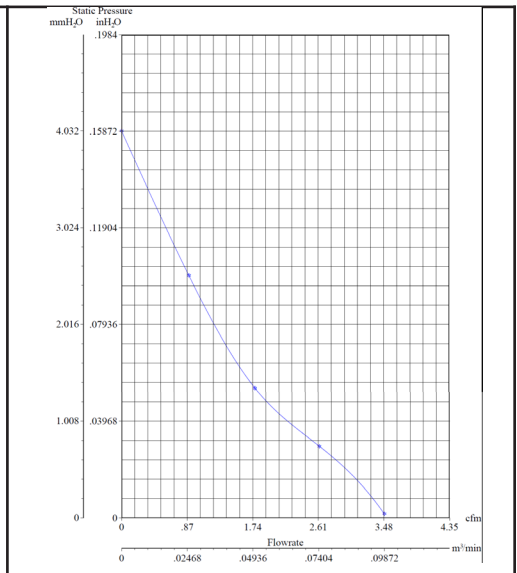
OD3010-12MB02A



DC Fan, 12VDC
30x10mm (1.18x.39in)



| | | |
|-----------------------|---|--|
| Frame & Impeller | PBT, UL94V-0 plastic | Available Options IP55 Other speeds and voltages Tachometer *Connection: Wire Leads - UL1007 28AWG Red(+), Black (-) Alarm Yellow Weight: 8 g |
| Connection | 3x Lead wires * | |
| Motor | Brushless DC, auto restart, polarity protected. | |
| Bearing System | Dual ball bearing | |
| Insulation Resistance | Min. 10M at 500VDC | |
| Dielectric Strength | 1 second at 500VAC max leakage 500 microamp | |
| Temperature Range | -20C ~ +75C | |
| Storage Temperature | -40C ~ +80C | |
| Life (L10) | 60,000 hours (40C) | |



| | |
|----------------------|-----------------------|
| Model Number | OD3010-12MB02A |
| Part Number | 130131231 |
| Nominal Voltage | 12 VDC |
| Voltage Range | 9 ~ 13.2 VDC |
| Nominal Current | .09 A |
| Rated Power | .84 Watts |
| Rated Speed (RPM) | 9000 |
| Airflow (CFM) | 4.0 |
| Noise Level (dB) | 27 |
| Max. Static Pressure | .17 "H ₂ O |

Output of locked signal
 *Output type.....Open collector type
 *Electrical design suggestion:
 (External signal function design is decided by customer)

*Transistor Q1 at "ON" position
 Collector current.....I_c=5mA Max
 Saturation Voltage.....V_{ce}=1.0V Max
 (Between Collector and Emitter at I_c=5mA)
 *Transistor Q1 at "OFF" position
 Release Voltage.....V_{ce}=15V Max

*Output waveform



Компания «ЭлектроПласт» предлагает заключение долгосрочных отношений при поставках импортных электронных компонентов на взаимовыгодных условиях!

Наши преимущества:

- Оперативные поставки широкого спектра электронных компонентов отечественного и импортного производства напрямую от производителей и с крупнейших мировых складов;
- Поставка более 17-ти миллионов наименований электронных компонентов;
- Поставка сложных, дефицитных, либо снятых с производства позиций;
- Оперативные сроки поставки под заказ (от 5 рабочих дней);
- Экспресс доставка в любую точку России;
- Техническая поддержка проекта, помощь в подборе аналогов, поставка прототипов;
- Система менеджмента качества сертифицирована по Международному стандарту ISO 9001;
- Лицензия ФСБ на осуществление работ с использованием сведений, составляющих государственную тайну;
- Поставка специализированных компонентов (Xilinx, Altera, Analog Devices, Intersil, Interpoint, Microsemi, Aeroflex, Peregrine, Syfer, Eurofarad, Texas Instrument, Miteq, Cobham, E2V, MA-COM, Hittite, Mini-Circuits, General Dynamics и др.);

Помимо этого, одним из направлений компании «ЭлектроПласт» является направление «Источники питания». Мы предлагаем Вам помощь Конструкторского отдела:

- Подбор оптимального решения, техническое обоснование при выборе компонента;
- Подбор аналогов;
- Консультации по применению компонента;
- Поставка образцов и прототипов;
- Техническая поддержка проекта;
- Защита от снятия компонента с производства.



Как с нами связаться

Телефон: 8 (812) 309 58 32 (многоканальный)

Факс: 8 (812) 320-02-42

Электронная почта: org@eplast1.ru

Адрес: 198099, г. Санкт-Петербург, ул. Калинина, дом 2, корпус 4, литера А.