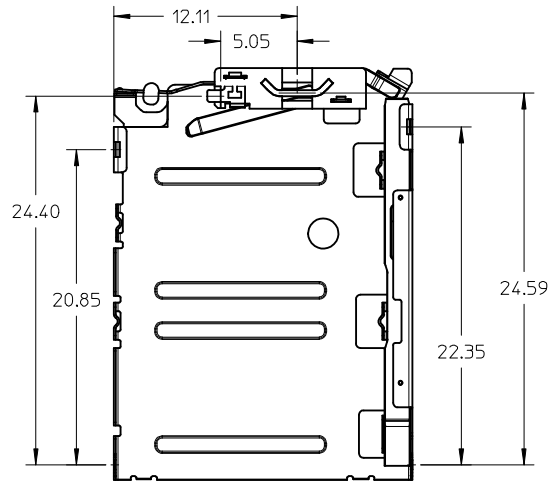
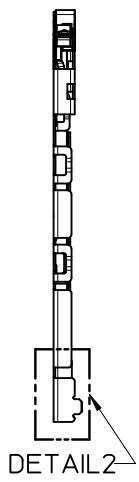
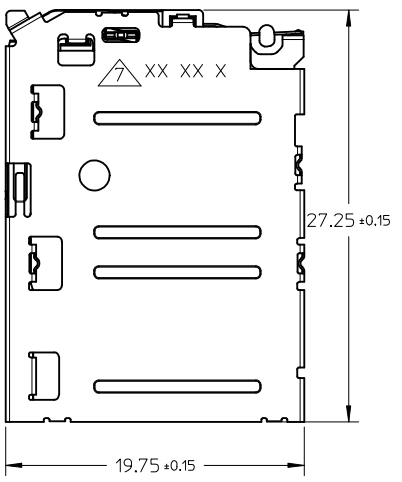
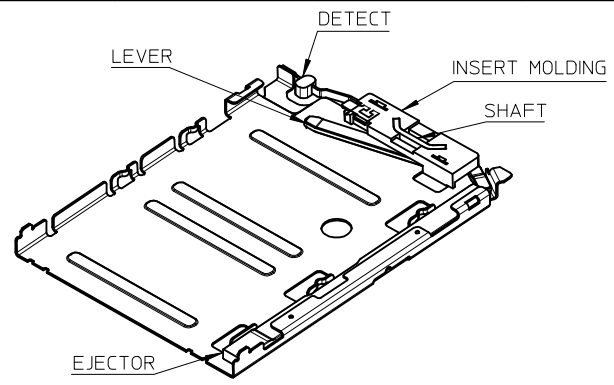
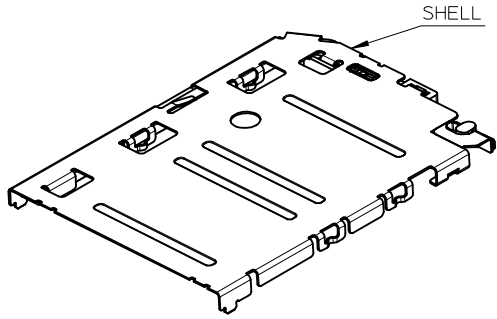


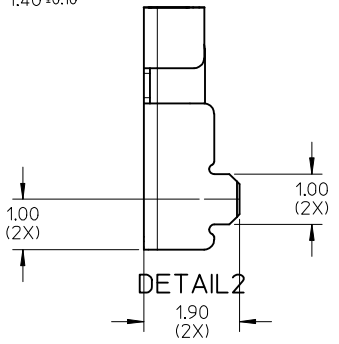
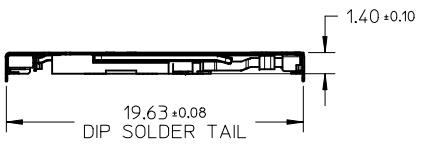
10 9 8 7 6 5 4 3 2 1

THIS DESIGN IS BASED ON DESIGN OBJECTIVES AND IS STRICTLY TENTATIVE. IT MAY CHANGE BASED ON RESULTS OF ADDITIONAL DESIGN REVIEWS & VERIFICATIONS.



NOTES:

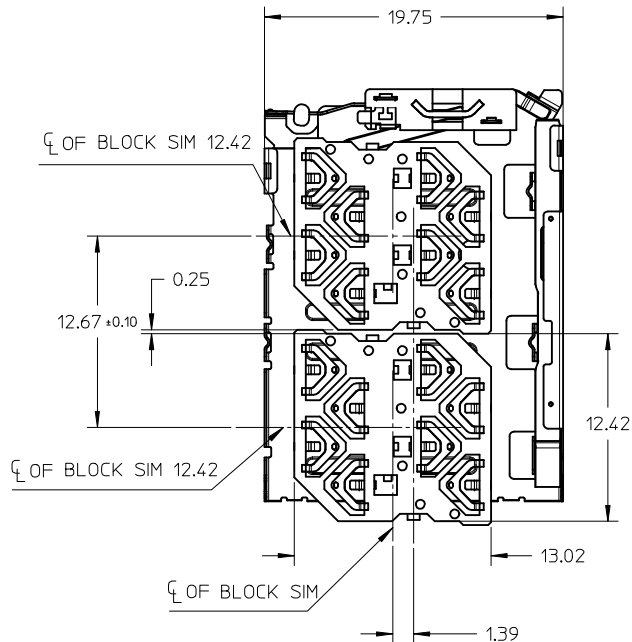
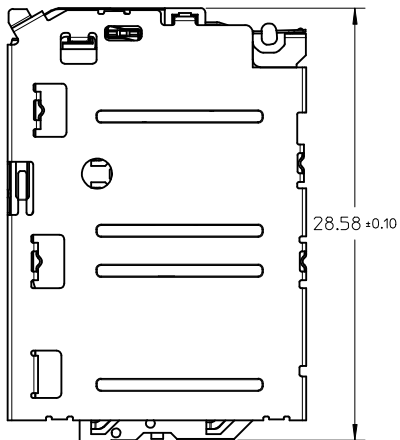
1. MATERIALS:  
 INSERT MOLD HOUSING: LCP, UL94V-0;  
 LEVER, SHAFT, EJECTOR, SHELL: STAINLESS STEEL;  
 DETECT SPRING: COPPER ALLOY;
  2. FINISHES:  
 DETECT SPRING:  
 1.27um MIN. NICKEL UNDERPLATING OVERALL;  
 0.127um MIN. GOLD PLATING ON CONTACT AREA;  
 1.27 um MIN. TIN PLATING ON SOLDERING TAIL;  
 SHELL:  
 1.27um MIN NICKEL UNDERPLATING OVERALL;  
 0.025um MIN GOLD PLATING ON CONTACT AREA AND SOLDERING AREA;  
 SHAFT: 1.27um MIN TIN ON SOLDERING TAIL;
  3. PRODUCT SPECIFICATION: PS-151031-0001;
  4. PACKAGING SPECIFICATION: PK-151031-0002, PK-151032-0001
  5. SOLDER TAIL COPLANARITY: 0.10 MM MAX BEFORE REFLOW
  6. THIS PART IS A FRAME ONLY, IT SHOULD BE USED TOGETHER WITH 0.35MM BLOCK SIM 151032 FOR AN ENTIRE SIM POP OUT SYSTEM;
- △ DATE CODE PRINTED: XX XX X



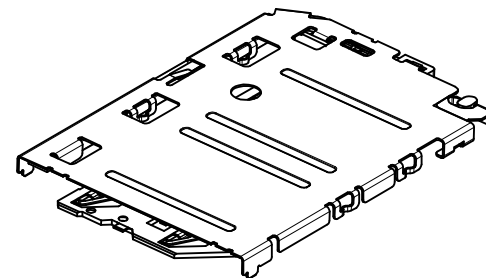
UPDATED DRAWING EC NO: S2015-0559 DRWN: JZENG 2014/11/26 CHKD: JTAN02 2014/12/22 APPR: KHL IM 2014/12/24	QUALITY SYMBOLS $F_A=0$ $F_G=4$ $F_P=0$	GENERAL TOLERANCES (UNLESS SPECIFIED)		DIMENSION STYLE <b>MM ONLY</b>	SCALE <b>NTS</b>	DESIGN UNITS <b>METRIC</b>	THIRD ANGLE PROJECTION	
		mm	INCH	DRAWN BY JZENG	DATE 2013/12/13	TITLE <b>DUAL MICRO SIM FRAME 1.40H</b>		
		4 PLACES ± --- ± --- 3 PLACES ± --- ± --- 2 PLACES ± 0.20 ± --- 1 PLACE ± 0.20 ± --- 0 PLACE ± --- ± ---	DRAWN BY KHL IM	DATE 2014/01/27	<b>molex</b>			
		ANGULAR ± 3 ° DRAFT WHERE APPLICABLE MUST REMAIN WITHIN DIMENSIONS	MATERIAL NO. <b>1510313001</b>	DATE 2014/01/27	DOCUMENT NO. <b>SD-151031-0002</b>	SHEET NO. <b>1 OF 5</b>		

9 8 7 6 5 4 3 2 1

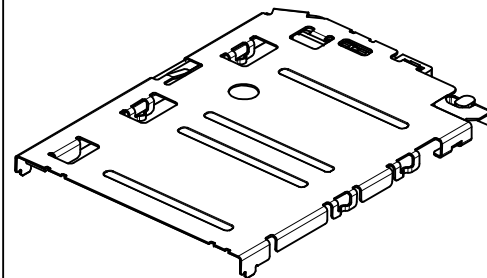
SIM CONNECTOR  
(WITH 151032 BLOCK SIM CONNECTOR)



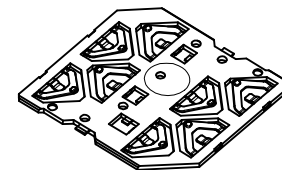
SIM CONNECTOR BOM



FRAME + BLOCK SIM



151031 SERIES



151032 SERIES

THIS DESIGN IS BASED ON DESIGN OBJECTIVES AND IS STRICTLY TENTATIVE. IT MAY CHANGE BASED ON RESULTS OF ADDITIONAL DESIGN REVIEWS & VERIFICATIONS.

SEE SHEET1	EC NO: S2015-0559	DESCRIPTION
	DRWN: JZENG	
	CHKD: JIAN02	
	APPR: KHLIM	

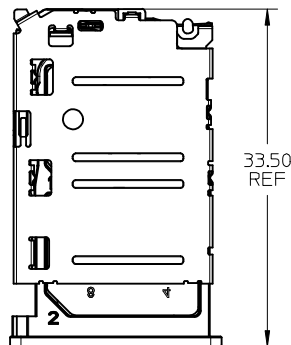
REV	DESCRIPTION
4	

QUALITY SYMBOLS	GENERAL TOLERANCES (UNLESS SPECIFIED)	
	mm	INCH
$F_A=0$	4 PLACES ± ---	± ---
$F_C=0$	3 PLACES ± ---	± ---
$F_P=0$	2 PLACES ± 0.20	± ---
	1 PLACE ± 0.20	± ---
	0 PLACE ± ---	± ---
	ANGULAR ± 3 °	
	DRAFT WHERE APPLICABLE MUST REMAIN WITHIN DIMENSIONS	

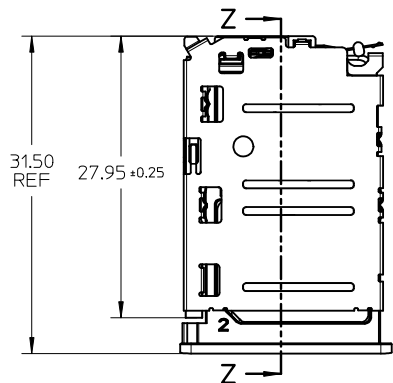
DIMENSION STYLE	
MM ONLY	
DRAWN BY	DATE
JZENG	2013/12/13
CHECKED BY	DATE
APPROVED BY	DATE
KHLIM	2014/01/27
MATERIAL NO.	
1510313001	
SIZE	
A3	

SCALE	DESIGN UNITS	THIRD ANGLE PROJECTION
NTS	METRIC	
TITLE		
DUAL MICRO SIM FRAME 1.40H		
<b>molex</b>		
MATERIAL NO.	DOCUMENT NO.	SHEET NO.
1510313001	SD-151031-0002	2 OF 5
THIS DRAWING CONTAINS INFORMATION THAT IS PROPRIETARY TO MOLEX INCORPORATED AND SHOULD NOT BE USED WITHOUT WRITTEN PERMISSION		

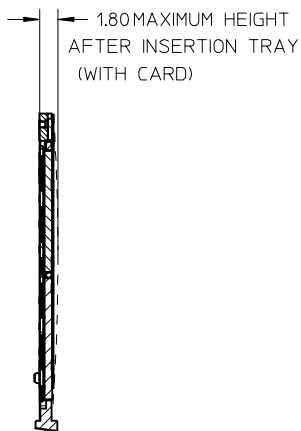
SIM CONNECTOR FRAME AND TRAY



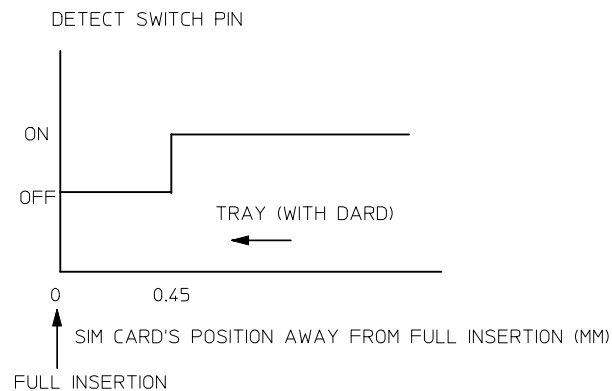
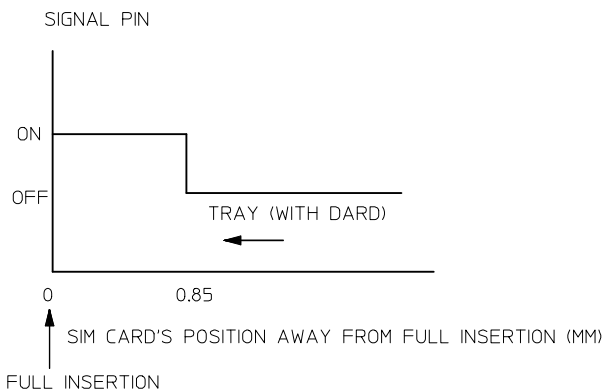
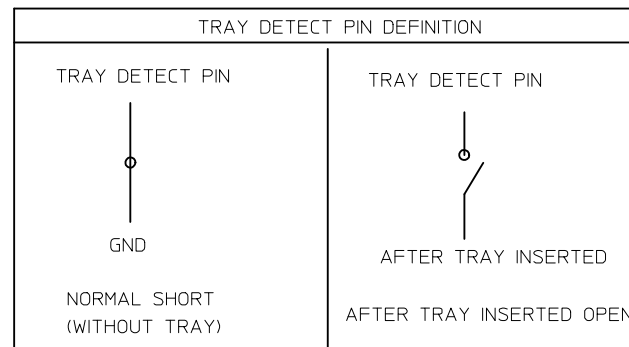
TRAY EJECTED POSITION



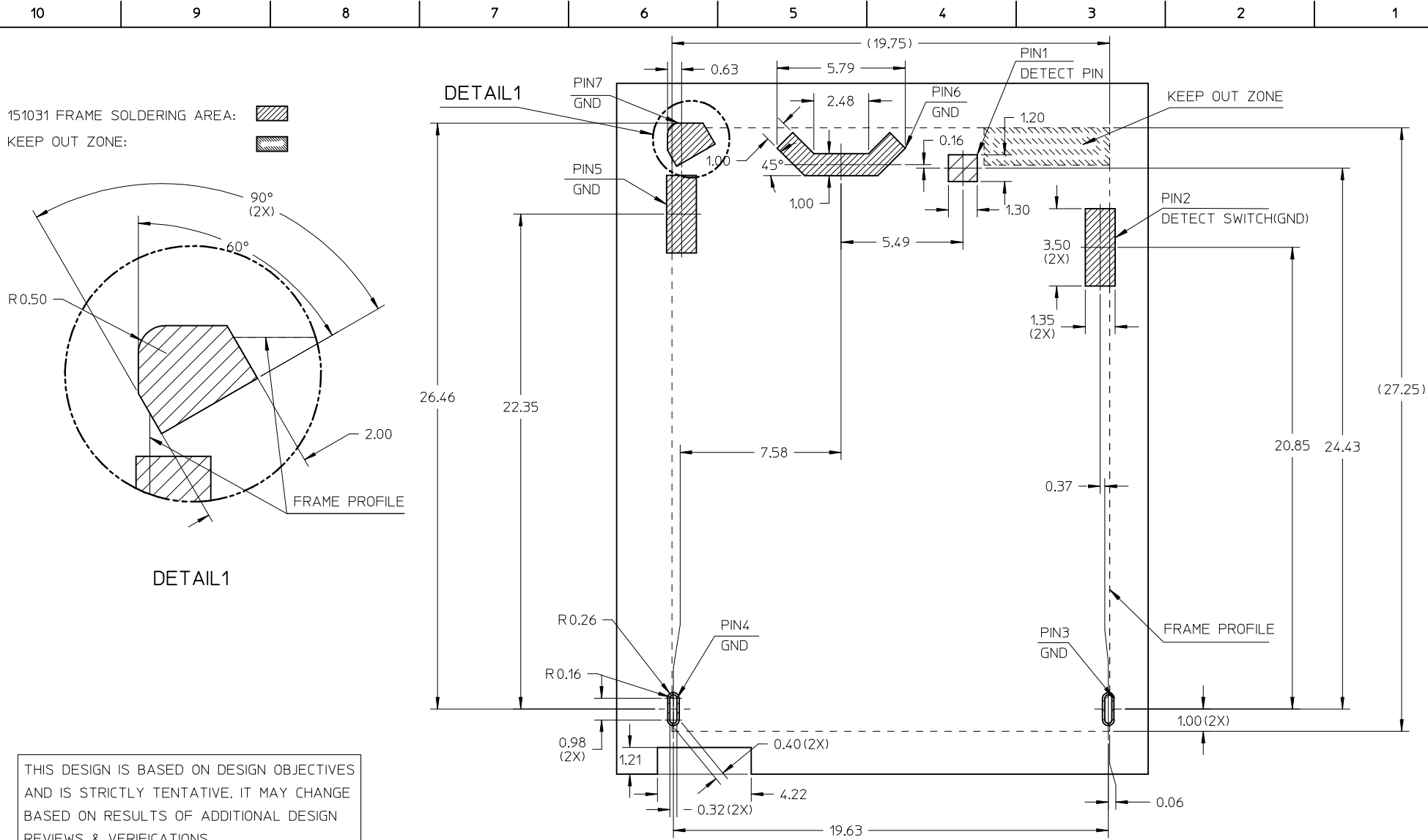
TRAY INSERTION POSITION



SECTION Z-Z





<p>SEE SHEET 1</p> <p>EC NO: S2015-0559</p> <p>DRWN: JZENG 2014/11/26</p> <p>CHKD: JIAN02 2014/12/22</p> <p>APPR: KHL IM 2014/12/24</p>	<p>QUALITY SYMBOLS</p> <p><math>F_A=0</math></p> <p><math>F_G=0</math></p> <p><math>F_P=0</math></p>	<p>GENERAL TOLERANCES (UNLESS SPECIFIED)</p>		<p>DIMENSION STYLE</p> <p>MM ONLY</p>	<p>SCALE</p> <p>METRIC</p>	<p>DESIGN UNITS</p> <p>METRIC</p>	<p>THIRD ANGLE PROJECTION</p>	
		<p>4 PLACES ± --- ± ---</p>	<p>3 PLACES ± --- ± ---</p>	<p>DRAWN BY</p> <p>JZENG</p>	<p>DATE</p> <p>2013/12/13</p>	<p>TITLE</p> <p>DUAL MICRO SIM FRAME 1.40H</p>		
		<p>2 PLACES ± 0.20 ± ---</p>	<p>1 PLACE ± 0.20 ± ---</p>	<p>CHECKED BY</p> <p>KHL IM</p>	<p>DATE</p> <p>2014/01/27</p>	<p>APPROVED BY</p> <p>KHL IM</p>		
		<p>0 PLACE ± --- ± ---</p>	<p>ANGULAR ± 3 °</p>	<p>MATERIAL NO.</p> <p>1510313001</p>	<p>DOCUMENT NO.</p> <p>SD-151031-0002</p>	<p>SHEET NO.</p> <p>3 OF 5</p>		
<p>4</p>	<p>REV</p>	<p>DRAFT WHERE APPLICABLE MUST REMAIN WITHIN DIMENSIONS</p>	<p>SIZE</p> <p>A3</p>	<p>THIS DRAWING CONTAINS INFORMATION THAT IS PROPRIETARY TO MOLEX INCORPORATED AND SHOULD NOT BE USED WITHOUT WRITTEN PERMISSION</p>				

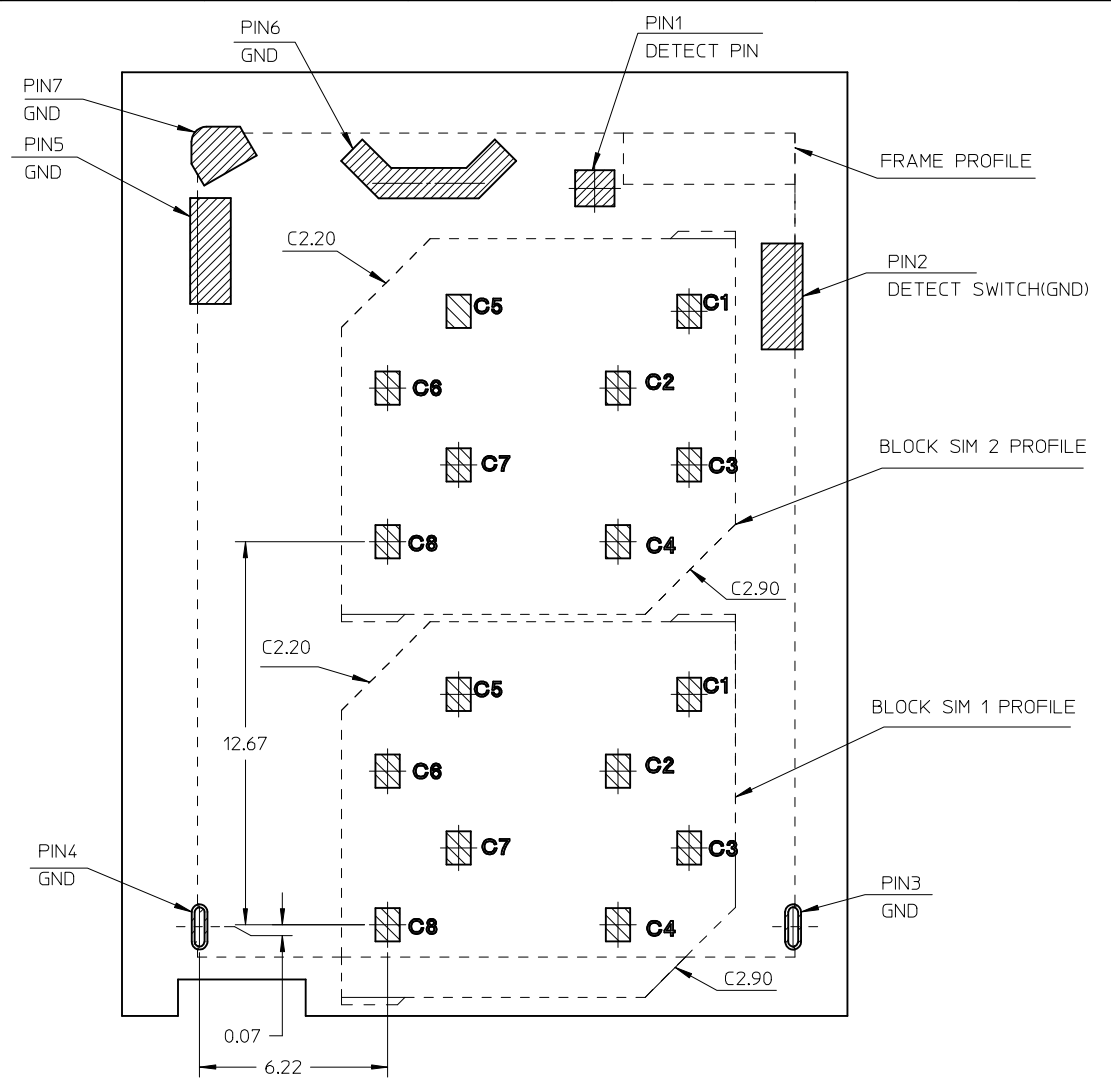


THIS DESIGN IS BASED ON DESIGN OBJECTIVES AND IS STRICTLY TENTATIVE. IT MAY CHANGE BASED ON RESULTS OF ADDITIONAL DESIGN REVIEWS & VERIFICATIONS.

RECOMMENDED PCB LAYOUT: TOLERANCE  $\pm 0.05$   
 RECOMMENDED PCB THICKNESS: 1.00MM  
 RECOMMENDED STENCIL THICKNESS: 0.10MM


SEE SHEET 1 EC NO: S2015-0559 DRWN: JZENG CHKD: JTAN02 APPR: KHL IM 2014/11/26 2014/12/22 2014/12/24	QUALITY SYMBOLS	GENERAL TOLERANCES (UNLESS SPECIFIED)	DIMENSION STYLE	SCALE	DESIGN UNITS	THIRD ANGLE PROJECTION
	$F_A=0$ $F_G=0$ $F_P=0$	mm INCH 4 PLACES $\pm$ --- $\pm$ --- 3 PLACES $\pm$ --- $\pm$ --- 2 PLACES $\pm 0.20$ $\pm$ --- 1 PLACE $\pm 0.20$ $\pm$ --- 0 PLACE $\pm$ --- $\pm$ ---	MM ONLY	NTS	METRIC	<input checked="" type="checkbox"/> THIRD ANGLE PROJECTION
	DRAWN BY: JZENG CHECKED BY: APPROVED BY: KHL IM DATE: 2013/12/13 DATE: 2014/01/27	MATERIAL NO.: 1510313001 DOCUMENT NO.: SD-151031-0002	TITLE: DUAL MICRO SIM FRAME 1.40H			
	DRAFT WHERE APPLICABLE MUST REMAIN WITHIN DIMENSIONS	SIZE: A3 THIS DRAWING CONTAINS INFORMATION THAT IS PROPRIETARY TO MOLEX INCORPORATED AND SHOULD NOT BE USED WITHOUT WRITTEN PERMISSION	SHEET NO.: 4 OF 5			

151031 FRAME SOLDERING AREA:   
 151032 BLOCK SIM SOLDERING AREA: 



THIS DESIGN IS BASED ON DESIGN OBJECTIVES AND IS STRICTLY TENTATIVE. IT MAY CHANGE BASED ON RESULTS OF ADDITIONAL DESIGN REVIEWS & VERIFICATIONS.

RECOMMENDED PCB LAYOUT: TOLERANCE ±0.05  
 RECOMMENDED PCB THICKNESS: 1.00MM  
 RECOMMENDED STENCIL THICKNESS: 0.10MM

SEE SHEET 1	EC NO: S2015-0559	2014/11/26	QUALITY SYMBOLS	GENERAL TOLERANCES (UNLESS SPECIFIED)		DIMENSION STYLE MM ONLY		SCALE NTS	DESIGN UNITS METRIC	THIRD ANGLE PROJECTION		
	DRWN: JZENG	2014/12/22		$F_A=0$	mm	INCH	DRAWN BY JZENG	DATE 2013/12/13	TITLE DUAL MICRO SIM FRAME 1.40H			
	CHKD: JIAN02	2014/12/22		$F_G=0$	4 PLACES ± --- ± ---	3 PLACES ± --- ± ---	CHECKED BY	DATE				
	APPR: KHL IM	2014/12/24		$F_P=0$	2 PLACES ± 0.20 ± ---	1 PLACE ± 0.20 ± ---	APPROVED BY KHL IM	DATE 2014/01/27				
4	DESCRIPTION		0 PLACE ± --- ± ---	ANGULAR ± 3 °		MATERIAL NO. 1510313001	DOCUMENT NO. SD-151031-0002	SHEET NO. 5 OF 5				
				DRAFT WHERE APPLICABLE MUST REMAIN WITHIN DIMENSIONS		SIZE A3	THIS DRAWING CONTAINS INFORMATION THAT IS PROPRIETARY TO MOLEX INCORPORATED AND SHOULD NOT BE USED WITHOUT WRITTEN PERMISSION					



Компания «ЭлектроПласт» предлагает заключение долгосрочных отношений при поставках импортных электронных компонентов на взаимовыгодных условиях!

Наши преимущества:

- Оперативные поставки широкого спектра электронных компонентов отечественного и импортного производства напрямую от производителей и с крупнейших мировых складов;
- Поставка более 17-ти миллионов наименований электронных компонентов;
- Поставка сложных, дефицитных, либо снятых с производства позиций;
- Оперативные сроки поставки под заказ (от 5 рабочих дней);
- Экспресс доставка в любую точку России;
- Техническая поддержка проекта, помощь в подборе аналогов, поставка прототипов;
- Система менеджмента качества сертифицирована по Международному стандарту ISO 9001;
- Лицензия ФСБ на осуществление работ с использованием сведений, составляющих государственную тайну;
- Поставка специализированных компонентов (Xilinx, Altera, Analog Devices, Intersil, Interpoint, Microsemi, Aeroflex, Peregrine, Syfer, Eurofarad, Texas Instrument, Miteq, Cobham, E2V, MA-COM, Hittite, Mini-Circuits, General Dynamics и др.);

Помимо этого, одним из направлений компании «ЭлектроПласт» является направление «Источники питания». Мы предлагаем Вам помощь Конструкторского отдела:

- Подбор оптимального решения, техническое обоснование при выборе компонента;
- Подбор аналогов;
- Консультации по применению компонента;
- Поставка образцов и прототипов;
- Техническая поддержка проекта;
- Защита от снятия компонента с производства.



#### Как с нами связаться

**Телефон:** 8 (812) 309 58 32 (многоканальный)

**Факс:** 8 (812) 320-02-42

**Электронная почта:** [org@eplast1.ru](mailto:org@eplast1.ru)

**Адрес:** 198099, г. Санкт-Петербург, ул. Калинина, дом 2, корпус 4, литера А.