

THIS DRAWING IS UNPUBLISHED. RELEASED FOR PUBLICATION 2001  
 © COPYRIGHT 2001 BY TYCO ELECTRONICS CORPORATION. ALL RIGHTS RESERVED.

REVISIONS				
P	LTR	DESCRIPTION	DATE	APVD
	CI	RE-ACTIVATED PARTS	17 MAY 06	RF GT

NOTES	MATERIAL	DESCRIPTION	SUPERSEDED BY P/N	TE AMP P/N		
-	-	PANEL MOUNT RECEPTACLE ASS'Y FOR SOCKET CONTACT	0-182920-1	7-1437723-6		
SEE SHEET 5	MATERIAL: GLASSFIBER FILLED THERMOPLASTIC UL 94-V1 COLOUR: BLACK	PANEL MOUNT RECEPTACLE ASS'Y FOR PIN CONTACT	-	7-1437723-4		
-			0-182641-1	4-1437723-0		
-			0-211769-1	3-1437723-8		
-			0-182921-1	0-1437723-9		
-			0-182918-1	7-1437723-2		
-			0-183075-1	7-1437723-0		
-			0-183040-1	3-1437723-6		
-			0-211767-1	0-1437820-7		
-			0-182917-1	0-1437723-7		
SEE SHEET 4			MATERIAL: GLASSFIBER FILLED THERMOPLASTIC UL 94-V1 COLOUR: BLACK	RECEPTACLE ASS'Y FOR SOCKET CONTACT	0-206306-2	6-1437723-9
-	-	6-1437723-8				
-	0-206043-3	3-1437723-4				
-	0-211769-3	3-1437723-3				
-	0-183083-1	0-1437723-6				
SEE SHEET 4	MATERIAL: GLASSFIBER FILLED THERMOPLASTIC UL 94-V1 COLOUR: BLACK	RECEPTACLE ASS'Y FOR PIN CONTACT			0-206151-2	0-1437820-5
SEE SHEET 4					0-206838-2	6-1437723-7
-					-	3-1437723-2
-					-	3-1437723-1
-					0-182919-1	0-1437723-5
-			0-183046-1	6-1437718-0		
-			0-183047-1	6-1437718-0		
SEE SHEET 3			MATERIAL: GLASSFIBER FILLED THERMOPLASTIC UL 94-V1 COLOUR: BLACK	PLUG ASS'Y FOR PIN CONTACT	0-182926-1	6-1437723-1
-					-	5-1437723-9
-					0-182649-1	2-1437723-5
-	0-211768-1	2-1437723-3				
-	0-182651-1	0-1437723-1				
-	0-182923-1	6-1437723-5				
-	0-183073-1	6-1437723-3				
-	0-183039-1	2-1437723-9				
-	0-211766-1	2-1437723-7				
-	0-182647-1	0-1437723-3				
-	SEE RELEVANT DRAWINGS	PLUG ASS'Y FOR SOCKET CONTACT	0-054012-1	9-1437723-2		
-	SEE RELEVANT DRAWINGS		0-054011-1	4-1437723-3		
-	SEE RELEVANT DRAWINGS		0-054010-1	0-1437820-8		
-	SEE RELEVANT DRAWINGS	PANEL MOUNT SEALING GASKET	0-081665-5	1-1437727-5		
-	SEE RELEVANT DRAWINGS		0-081665-2	7-1437726-0		
-	SEE RELEVANT DRAWINGS		0-081665-3	2-1437726-9		
-	SEE RELEVANT DRAWINGS	SEALING RING	0-206403-3	8-1437723-5		
-	SEE RELEVANT DRAWINGS		0-206403-2	5-1437723-2		
-	SEE RELEVANT DRAWINGS		0-206403-1	1-1437723-7		
-	SEE RELEVANT DRAWINGS	SEALING CUP (RECEPTACLE)	0-208680-1	9-1437723-6		
-	SEE RELEVANT DRAWINGS		0-208652-1	9-1437723-1		
-	SEE RELEVANT DRAWINGS		0-208800-1	1-1437723-2		
SEE SHEET 2	MATERIAL: GLASSFIBER FILLED THERMOPLASTIC UL 94-V1 COLOUR: BLACK	SEALING CAP (PLUG)	-	9-1437723-7		
-			0-183041-1	9-1437723-8		
-			0-183042-1	1-1437723-1		
SEE SHEET 2	MATERIAL: GLASSFIBER FILLED THERMOPLASTIC UL 94-V1 COLOUR: BLACK	BACKSHELL PG THREAD	-	8-1437723-2		
-			-	7-1437723-9		
-			-	4-1437723-7		
-			-	4-1437723-4		
-			-	1-1437723-4		
-	SEE RELEVANT DRAWINGS	BACKSHELL CABLE CLAMP	0-182930-1	8-1437723-6		
-			0-182652-1	8-1437723-8		
-			0-182661-1	5-1437723-6		
-			0-182655-1	5-1437723-3		
-			0-182928-1	2-1437723-0		
-			0-182658-1	1-1437723-8		

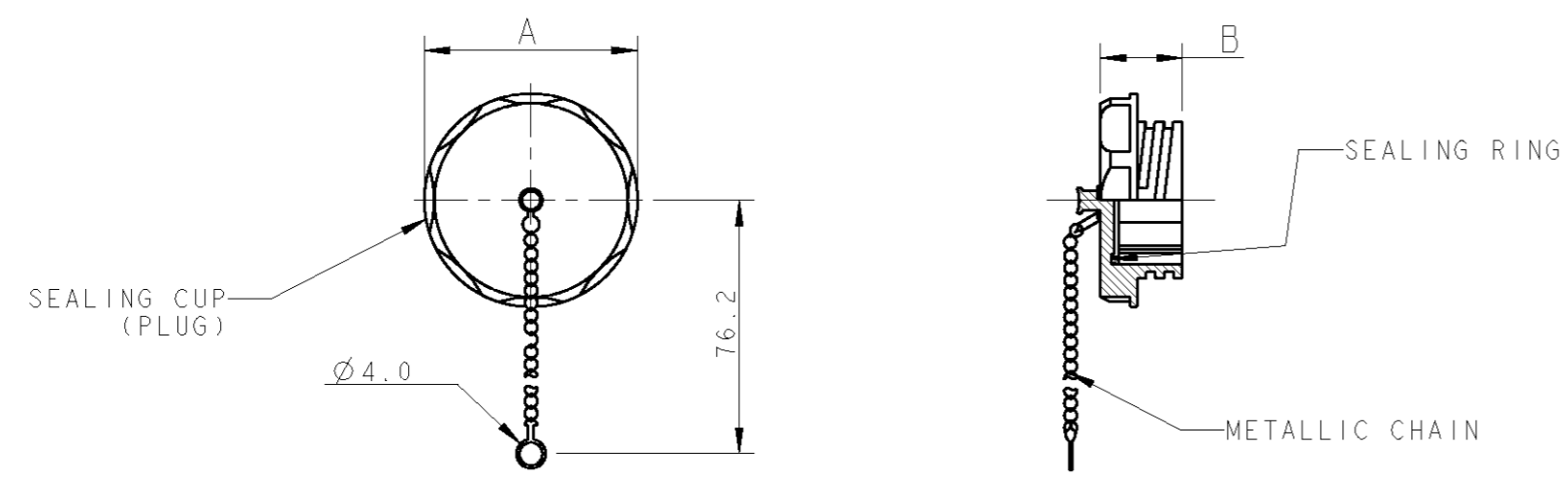
⚠ PARTS SUPERSEDED BY: CPC Series I  
SEE P/NS FOR REFERENCE

THIS DRAWING IS A CONTROLLED DOCUMENT FOR TYCO ELECTRONICS CORPORATION IT IS SUBJECT TO CHANGE AND THE CONTROLLING ENGINEERING ORGANIZATION SHOULD BE CONTACTED FOR THE LATEST REVISION.		DWN 21SEP2001	AMP Italia S.p.A. C.so F.lli Cervi, 15 COLLEGGNO (TO)
DIMENSIONS: mm		CHK C. TARTARI	
TOLERANCES UNLESS OTHERWISE SPECIFIED:		APVD -	NAME CIRCULAR PLASTIC CONNECTOR T10 SERIES PLUGS, RECEPTACLES, ACCESSORIES
		PRODUCT SPEC -	SIZE A2
MATERIAL -		APPLICATION SPEC -	CAGE CODE 00779
FINISH -		WEIGHT -	DRAWING NO. 1437723
		CUSTOMER DRAWING	RESTRICTED TO -
		SCALE -	SHEET 1 OF 5 REV C1

THIS DRAWING IS UNPUBLISHED. RELEASED FOR PUBLICATION 2001  
 © COPYRIGHT 2001 BY TYCO ELECTRONICS CORPORATION. ALL RIGHTS RESERVED.

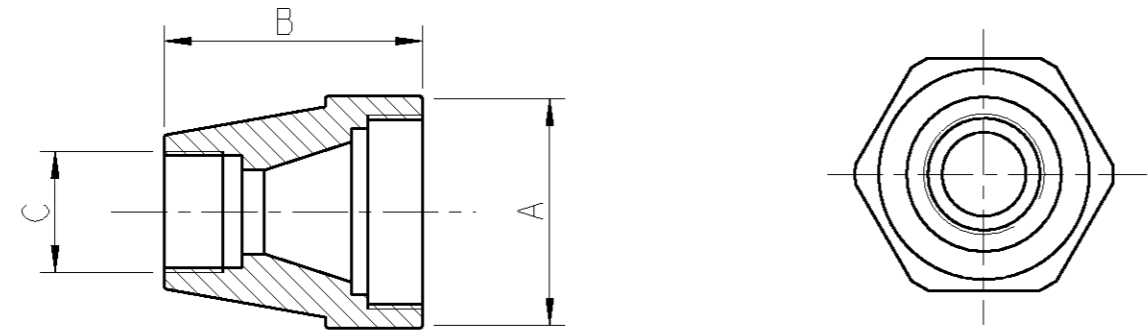
LOC		DIST		REVISIONS			
P	LTR	DATE	DWN	APVD			
-	-	-	-	-	SEE SHEET 1		

SEALING CAP, PLUG



-	-	17.3	44.2	23	SEALING CAP, PLUG	9-1437723-7	A
---	---	------	------	----	-------------------	-------------	---

BACKSHELL WITH PG THREAD



-	PG21	43.0	40.0	23	BACKSHELL WITH PG THREAD	8-1437723-2	A
-	PG16	43.0	40.0		BACKSHELL WITH PG THREAD	7-1437723-9	A
-	PG13.5	43.0	30.0	17	BACKSHELL WITH PG THREAD	4-1437723-7	A
-	PG11	43.0	30.0		BACKSHELL WITH PG THREAD	4-1437723-4	A
-	PG9	43.0	21.5		BACKSHELL WITH PG THREAD	1-1437723-4	A

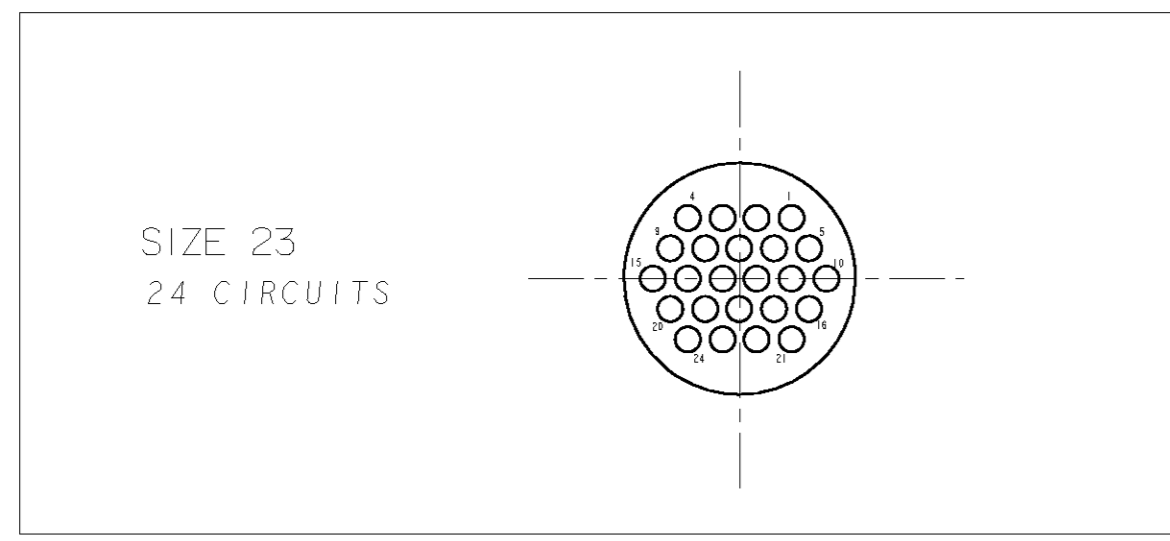
CABLE Ø RANGE	C	B	A	SIZE	DESCRIPTION	TE AMP P/N	REV
---------------	---	---	---	------	-------------	------------	-----

<small>THIS DRAWING IS A CONTROLLED DOCUMENT FOR TYCO ELECTRONICS CORPORATION. IT IS SUBJECT TO CHANGE AND THE CONTROLLING ENGINEERING ORGANIZATION SHOULD BE CONTACTED FOR THE LATEST REVISION.</small>		DWN: 21SEP2001 R. FABRIS CHK: C. TARTARI APVD: -	<b>tyco</b> <b>Electronics</b> AMP Italia S.p.A. C.so F.lli Cervi, 15 COLLENO (TO)
DIMENSIONS: mm 	TOLERANCES UNLESS OTHERWISE SPECIFIED: 0 PLC ± 1 PLC ±0.3 2 PLC ± 3 PLC ± 4 PLC ± ANGLES ±° FINISH -	PRODUCT SPEC: - APPLICATION SPEC: - WEIGHT: -	NAME: CIRCULAR PLASTIC CONNECTOR T10 SERIES ACCESSORIES SIZE: A2 CAGE CODE: 00779 DRAWING NO: 1437723 RESTRICTED TO: -
MATERIAL: -		CUSTOMER DRAWING	
SCALE: -		SHEET 2 OF 5 REV C1	

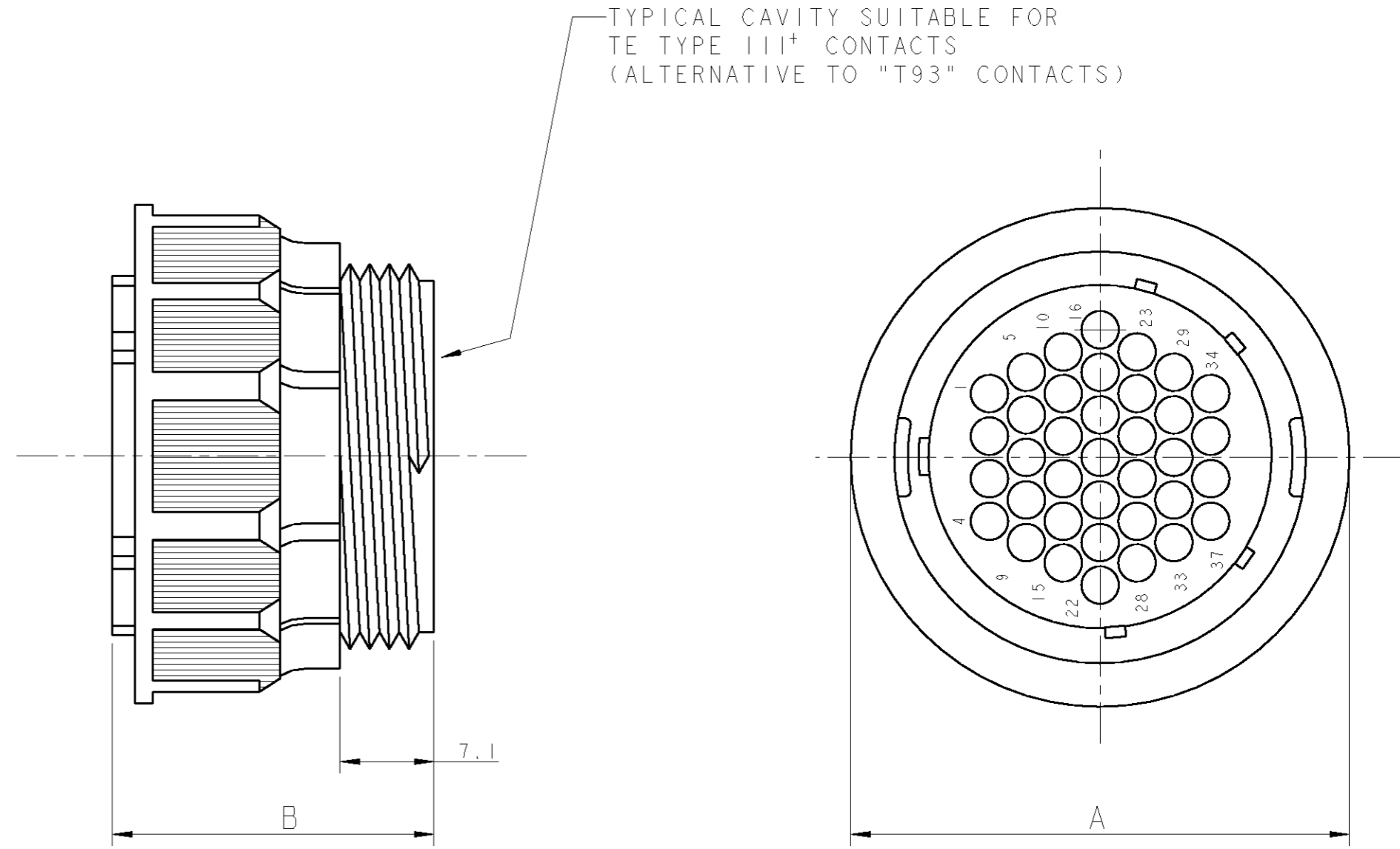
THIS DRAWING IS UNPUBLISHED. RELEASED FOR PUBLICATION 2001  
 © COPYRIGHT 2001 BY TYCO ELECTRONICS CORPORATION. ALL RIGHTS RESERVED.

LOC	DIST	REVISIONS			
P	LTR	DESCRIPTION	DATE	DWN	APVD
-	-	SEE SHEET 1	-	-	-

CIRCUIT LAYOUT (View from "X")



"X" →



0-183047-1	3.6	34.0	44.5	24	23	PLUG ASS'Y FOR PIN CONTACT	5-1437723-9	A
KEYING PLUG (FOR REF. ONLY)	Ø MAX ALLOWABLE WIRE INS.	B	A	No. OF CIRCUITS	SIZE	DESCRIPTION	TE AMP P/N	REV

THIS DRAWING IS A CONTROLLED DOCUMENT FOR TYCO ELECTRONICS CORPORATION. IT IS SUBJECT TO CHANGE AND THE CONTROLLING ENGINEERING ORGANIZATION SHOULD BE CONTACTED FOR THE LATEST REVISION.

DWN: R. FABRIS 21SEP2001  
 CHK: C. TARTARI  
 APVD: -

**tyco Electronics** AMP Italia S.p.A. C.so F.lli Cervi, 15 COLLEGGNO (TO)

NAME: CIRCULAR PLASTIC CONNECTOR T10 SERIES PLUG ASS'Y

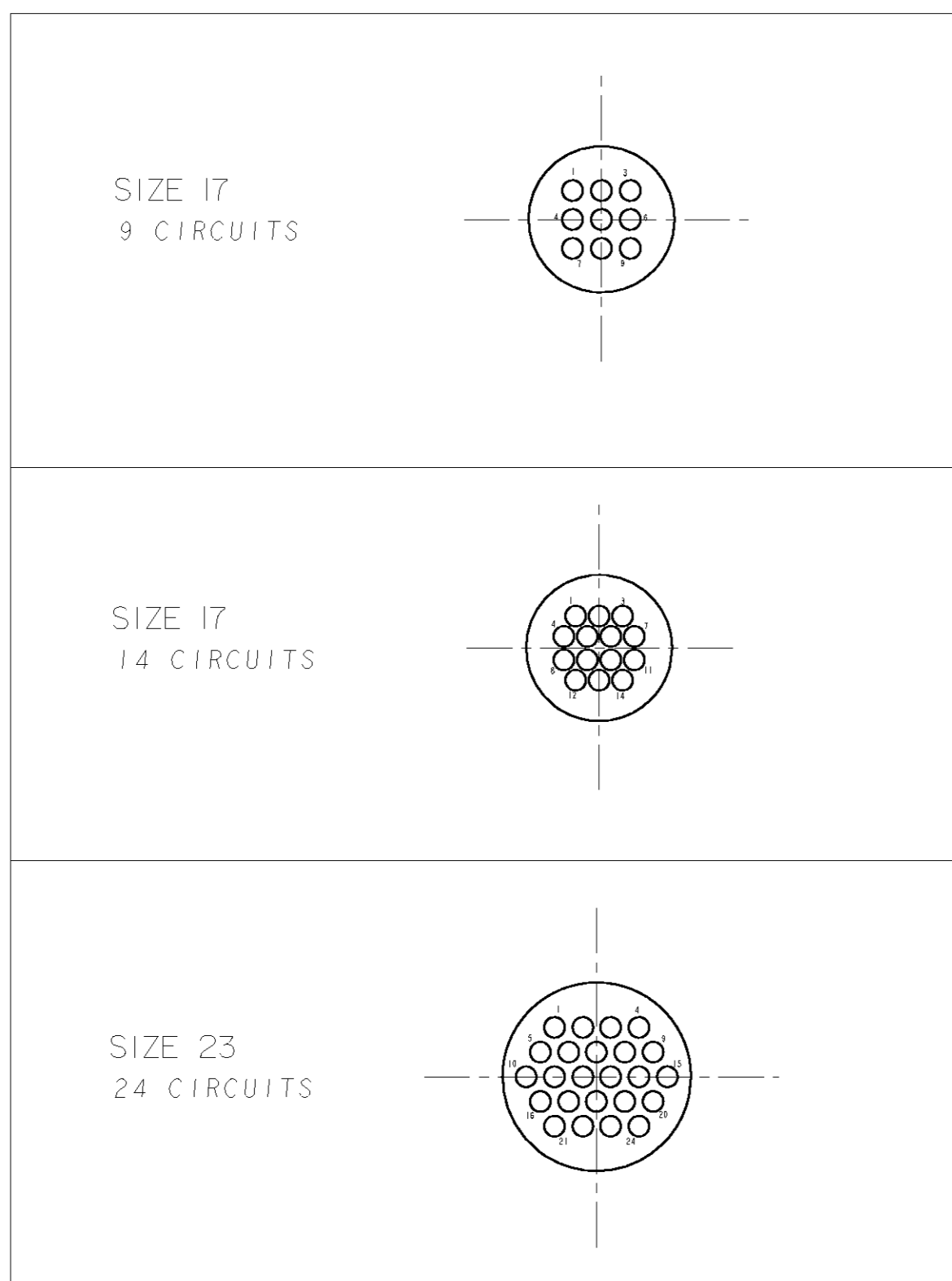
SIZE: A2 CAGE CODE: 00779 DRAWING NO: 1437723 RESTRICTED TO: -

CUSTOMER DRAWING SCALE: - SHEET 3 OF 5 REV: C1

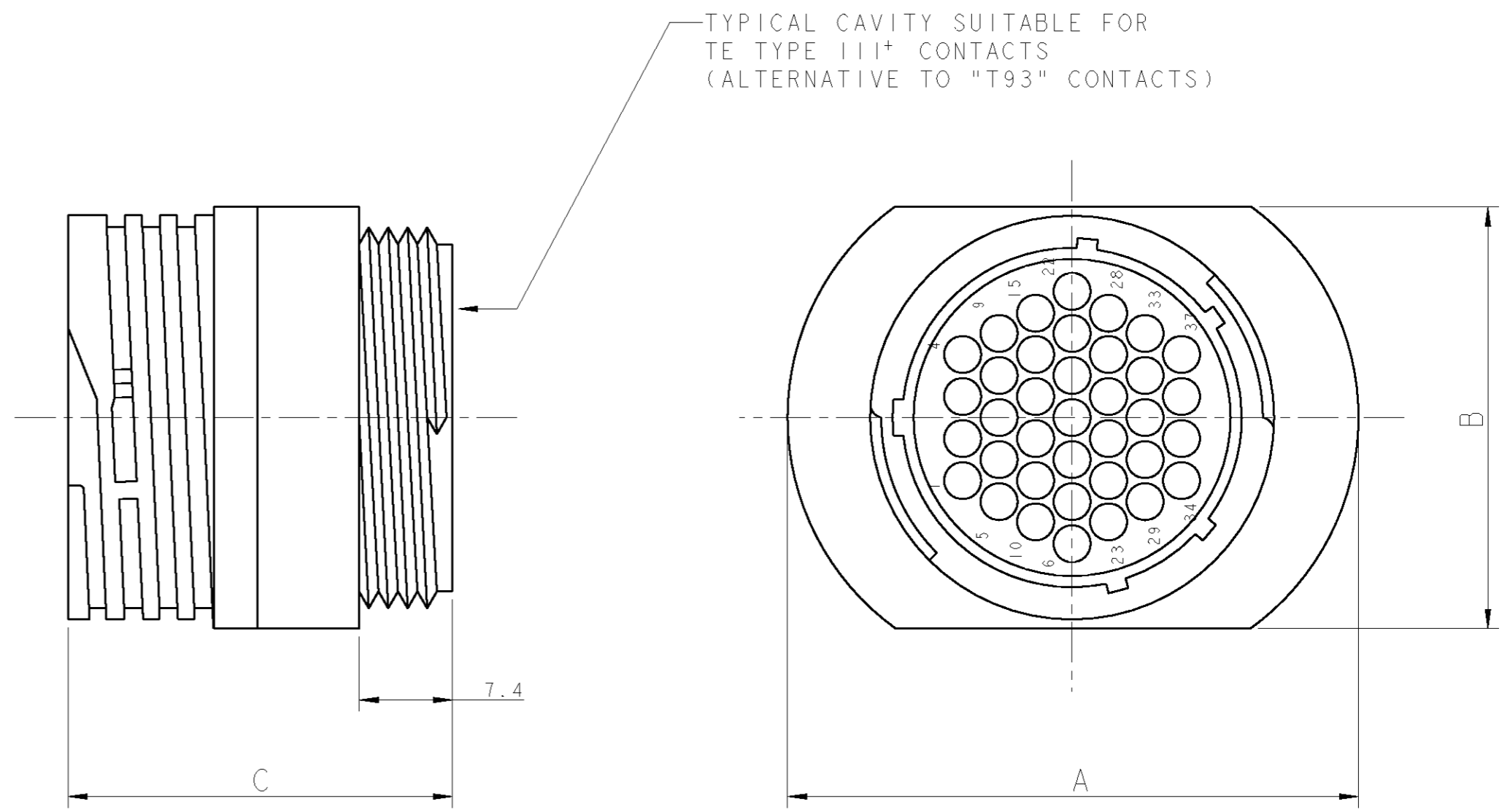
THIS DRAWING IS UNPUBLISHED. RELEASED FOR PUBLICATION 2001  
 © COPYRIGHT 2001 BY TYCO ELECTRONICS CORPORATION. ALL RIGHTS RESERVED.

LOC	DIST	REVISIONS			
P	LTR	DESCRIPTION	DATE	DWN	APVD
-	-	SEE SHEET 1	-	-	-

CIRCUIT LAYOUT (View from "X")



"X" →



0-183046-1	3.6	26.9	37.8	43.9	24	23	RECEPTACLE ASS'Y FOR SOCKET CONTACT	6-1437723-8	A
0-183047-1	2.8	33.8	29.5	33.3	14	17	RECEPTACLE ASS'Y FOR PIN CONTACT	3-1437723-2	A
	3.6	33.8	29.5	33.3	9	17	RECEPTACLE ASS'Y FOR PIN CONTACT	3-1437723-1	A
KEYING PLUG (FOR REF. ONLY)	Ø MAX ALLOWABLE WIRE INS.	C	B	A	No. OF CIRCUITS	SIZE	DESCRIPTION	TE AMP P/N	REV

THIS DRAWING IS A CONTROLLED DOCUMENT FOR TYCO ELECTRONICS CORPORATION. IT IS SUBJECT TO CHANGE AND THE CONTROLLING ENGINEERING ORGANIZATION SHOULD BE CONTACTED FOR THE LATEST REVISION.

DWN: R. FABRIS 21SEP2001  
 CHK: C. TARTARI  
 APVD: -

**tyco Electronics** AMP Italia S.p.A.  
 C.so F.lli Cervi, 15 COLLENO (TO)

NAME: CIRCULAR PLASTIC CONNECTOR T10 SERIES RECEPTACLE ASS'Y

SIZE: A2 CAGE CODE: 00779 DRAWING NO: 1437723 RESTRICTED TO: -

MATERIAL: - DIMENSIONS: mm TOLERANCES UNLESS OTHERWISE SPECIFIED: 0 PLC ±0.3 1 PLC ±0.3 2 PLC ±0.3 3 PLC ±0.3 4 PLC ±0.3 ANGLES ±° FINISH: -

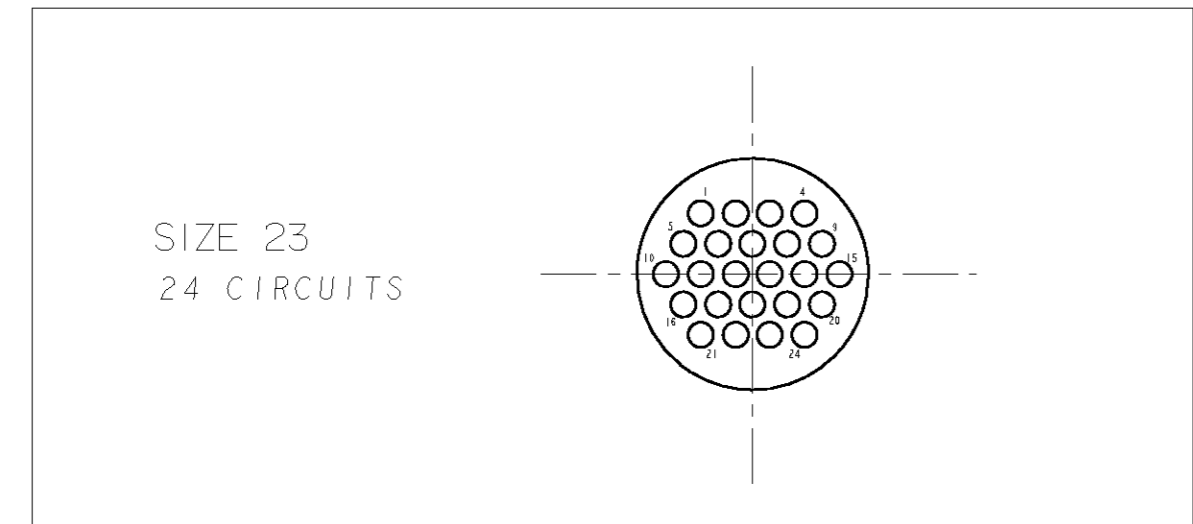
PRODUCT SPEC: - APPLICATION SPEC: - WEIGHT: -

CUSTOMER DRAWING SCALE: - SHEET 4 OF 5 REV: C1

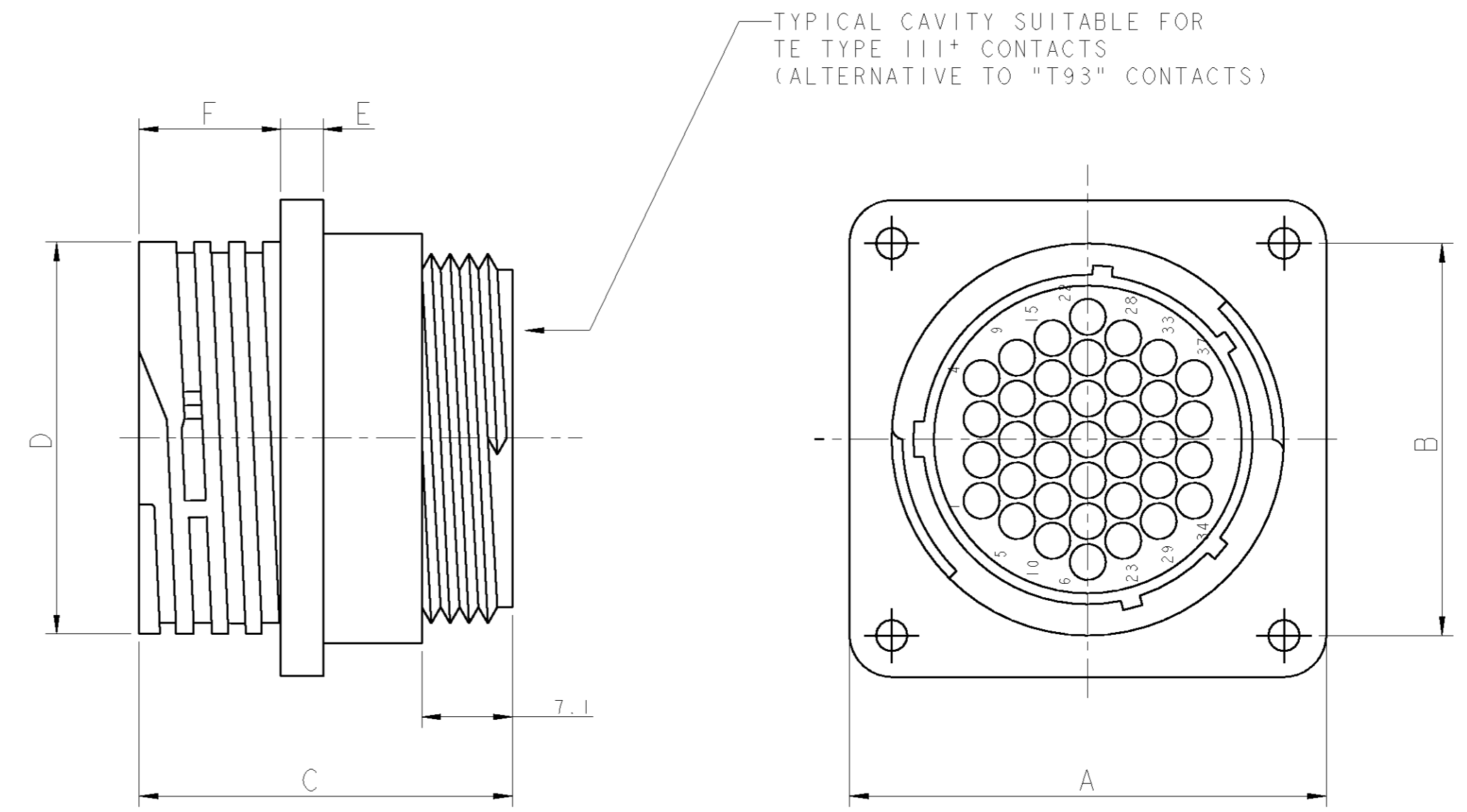
THIS DRAWING IS UNPUBLISHED. RELEASED FOR PUBLICATION 2001  
 © COPYRIGHT 2001 BY TYCO ELECTRONICS CORPORATION. ALL RIGHTS RESERVED.

LOC		DIST		REVISIONS			
P	LTR	DESCRIPTION	DATE	DWN	APVD		
-	-	SEE SHEET 1	-	-	-		

CIRCUIT LAYOUT (View from "X")



"X" →



0-183046-1	3.6	13.5	4.1	36.3	26.9	36.6	44.5	38.6	24	23	PANEL MOUNT RECEPTACLE ASS'Y FOR SOCKET CONTACT	7-1437723-4	A
KEYING PLUG (FOR REF. ONLY)	Ø MAX ALLOWABLE WIRE INS.	F	E	D	C	B	A	PANEL CUT OUT Ø	No. OF CIRCUITS	SIZE	DESCRIPTION	TE AMP P/N	REV

THIS DRAWING IS A CONTROLLED DOCUMENT FOR TYCO ELECTRONICS CORPORATION. IT IS SUBJECT TO CHANGE AND THE CONTROLLING ENGINEERING ORGANIZATION SHOULD BE CONTACTED FOR THE LATEST REVISION.

DWN: R. FABRIS 21SEP2001  
 CHK: C. TARTARI  
 APVD: -

**tyco Electronics** AMP Italia S.p.A.  
 C.so F.lli Cervi, 15 COLLENO (TO)

NAME: CIRCULAR PLASTIC CONNECTOR T10 SERIES PANEL MOUNT RECEPTACLE ASS'Y

SIZE: A2 CAGE CODE: 00779 DRAWING NO: 1437723 RESTRICTED TO: -

CUSTOMER DRAWING SCALE: - SHEET 5 OF 5 REV: C1



Компания «ЭлектроПласт» предлагает заключение долгосрочных отношений при поставках импортных электронных компонентов на взаимовыгодных условиях!

Наши преимущества:

- Оперативные поставки широкого спектра электронных компонентов отечественного и импортного производства напрямую от производителей и с крупнейших мировых складов;
- Поставка более 17-ти миллионов наименований электронных компонентов;
- Поставка сложных, дефицитных, либо снятых с производства позиций;
- Оперативные сроки поставки под заказ (от 5 рабочих дней);
- Экспресс доставка в любую точку России;
- Техническая поддержка проекта, помощь в подборе аналогов, поставка прототипов;
- Система менеджмента качества сертифицирована по Международному стандарту ISO 9001;
- Лицензия ФСБ на осуществление работ с использованием сведений, составляющих государственную тайну;
- Поставка специализированных компонентов (Xilinx, Altera, Analog Devices, Intersil, Interpoint, Microsemi, Aeroflex, Peregrine, Syfer, Eurofarad, Texas Instrument, Miteq, Cobham, E2V, MA-COM, Hittite, Mini-Circuits, General Dynamics и др.);

Помимо этого, одним из направлений компании «ЭлектроПласт» является направление «Источники питания». Мы предлагаем Вам помощь Конструкторского отдела:

- Подбор оптимального решения, техническое обоснование при выборе компонента;
- Подбор аналогов;
- Консультации по применению компонента;
- Поставка образцов и прототипов;
- Техническая поддержка проекта;
- Защита от снятия компонента с производства.



#### Как с нами связаться

**Телефон:** 8 (812) 309 58 32 (многоканальный)

**Факс:** 8 (812) 320-02-42

**Электронная почта:** [org@eplast1.ru](mailto:org@eplast1.ru)

**Адрес:** 198099, г. Санкт-Петербург, ул. Калинина, дом 2, корпус 4, литера А.