

SM-UART-04L

Laser Dust Sensor



SM-UART-04L Laser Dust Sensor is designed to operate in a moderate environment and provides excellent performance. It's embedded optical design leverages the strength from laser technology, which allows customers to achieve excellent performance with balanced reliability. SM-UART-04L is an ideal solution for industrial and consumer applications.

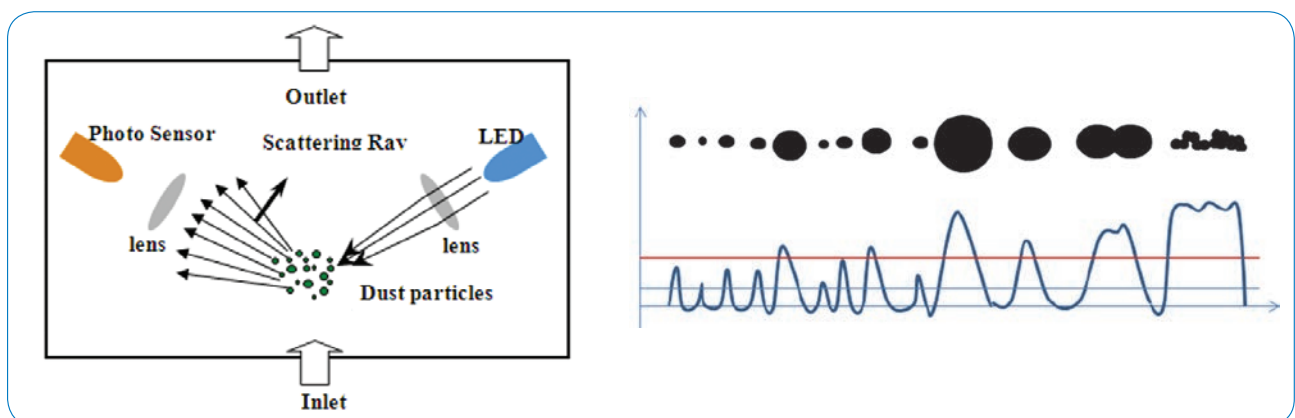
SM-UART-04L laser dust sensor detects dust particle concentration in air by using an optical sensing method. A laser light emitting diode (laser LED) and a photo sensor are optically arranged in the device. The photo sensor detects the reflected laser LED light by dust particles in air. The dust sensor can detect small particles such as, cigarette smoke and distinguish small particles, such as smoke from large house dust, by the pulse pattern of the signal output.

Features

- Laser Optical Dust
 - High Accuracy
 - Fast Response
- UART Output
- Compact in Size
- Flexible Mounting Style

Applications

- Indoor Air Quality Monitoring
- Air Cleaners and Purifiers
- Air Conditioners and HVAC
- Outdoor Dust Monitoring

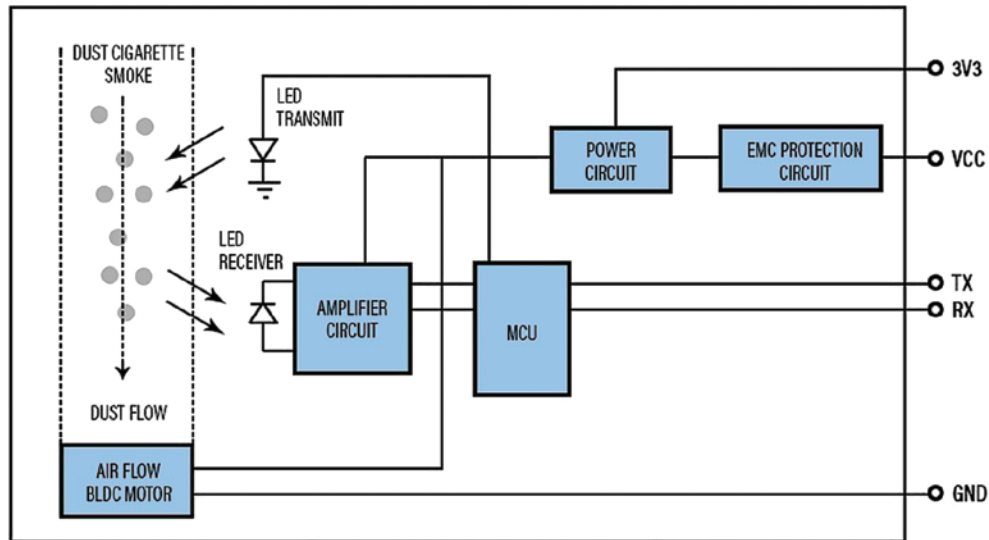


Amphenol
Advanced Sensors

Figure 1 : Detection Principle

SM-UART-04L Laser Dust Sensor

Block Diagram



Calibration

Calibration carried out with cigarette smoke per GB/T1880

Absolute Maximum Ratings

Absolute Maximum Ratings			
Parameter	Symbol	Rating	Unit
Supply Voltage	Vcc	0 to + 5.5	V
Operating Temperature	Topr	-10 to 50	°C
Storage Temperature	Tstg	-30 to 70	°C
Operating Humidity ⁽¹⁾	RHopr	0 to 95	%
Storage Humidity ⁽¹⁾	RHstg	0 to 95	%

1) Non-condensing

Electrical Characteristics

Parameter	Symbol	Min.	Typ.	Max.	Unit	
Particle Size	D	0.3	2.5	10	um	
Detection Range	D _{reg}	1	—	999	µg/m ³	
Resolution	R	—	1	—	µg /m ³	
Indication Error ⁽²⁾	D _{err}	1 ~100 ug/m ³	—	—	+/-10	µg /m ³
		100~999 ug/m ³	—	—	+/-10	%
Warm-Up Time	t _{wup} ⁽²⁾	—	5	—	s	
Response Time	t _{rsp} ⁽²⁾	—	1	—	s	
Average Trouble-free Working Time	T	—	40000	—	hour	
Supply Voltage	V _{cc}	4.8	5	5.2	V	
Supply Voltage Ripple	V _{cc} Ripple	—	—	30	mV	
Current Consumption	I _{cc} ⁽²⁾	—	60	100	mA	
Output (UART)			3.3V			

1) Non-condensing

2) Testing at T=25°C, RH=40-60%

SM-UART-04L Laser Dust Sensor

Connector

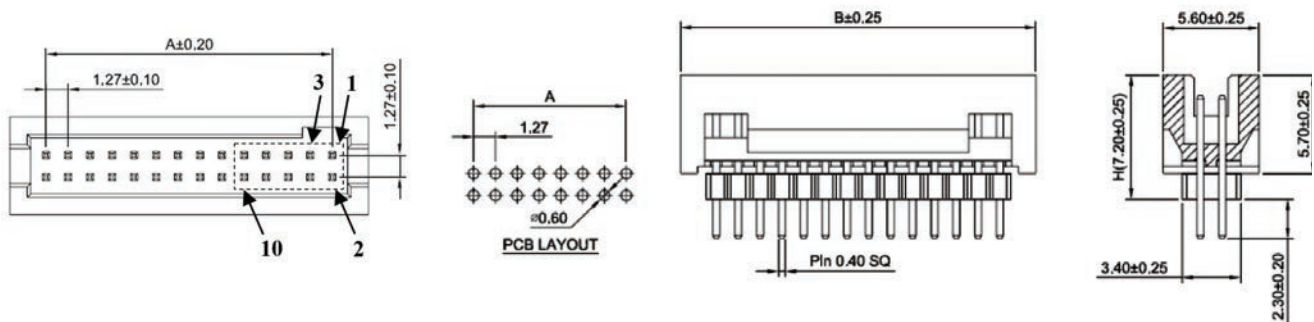
Sensor Connector:

CJT A1276WVA-N-2x5P-H72

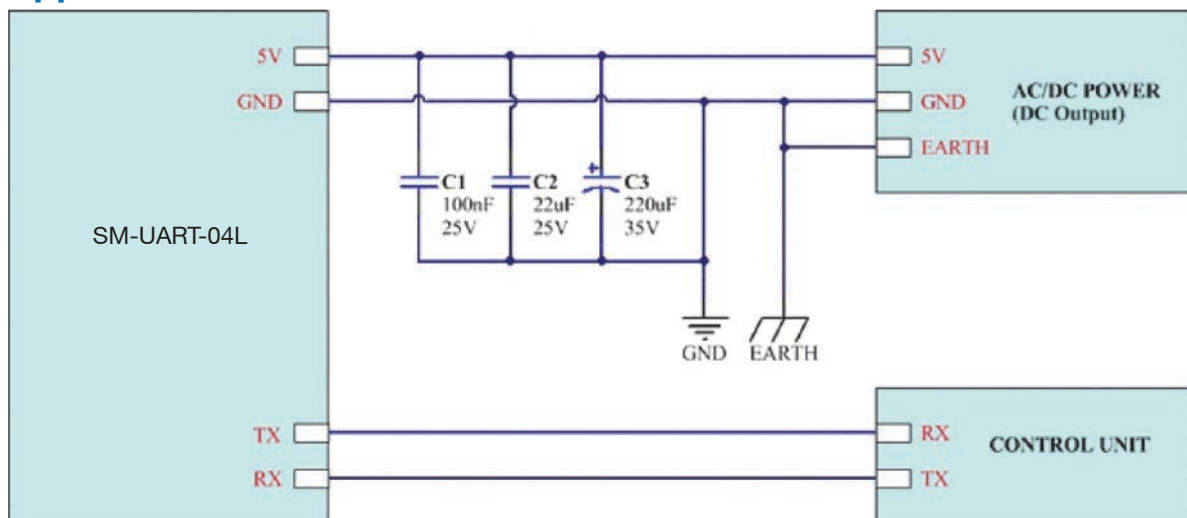
Equivalent Connector:

Harwin, Inc. M50-3000545; Amphenol FCI 20021311-00010T4LF

Pin #	Pin Name	Description
1	5V	Input Supply Voltage
2	5V	Input Supply Voltage
3	GND	Ground
4	GND	Ground
5	RESET	Reset Pin @3.3V TTL, Low level reset
6	NC	—
7	RXD	UART Receiver @ 3.3V TTL
8	NC	—
9	TXD	UART Transceiver @ 3.3V TTL
10	SET/SLEEP	Working Mode Pin @ 3.3V TTL Floating or high level for normal working condition. Low level for dormancy mode.



Application Circuit



Application circuit

SM-UART-04L Laser Dust Sensor - Communication Protocol

UART

UART Serial Configuration	
Baud Rate	9600 bps
Data Bits	8
Parity	None
Stop Bits	1

Default Output UART Frame Format

Head 1	0x42	
Head 2	0x4D	
H_Length	...	Length = 2 * 13 + 2 (Data+CS)
L_Length	...	
H_D1	...	PM1 = H_D1 * 256 + L_D1 ug/m3 (Standard Smoke, Calculated Value)
L_D1	...	
H_D2	...	PM2.5 = H_D2 * 256 + L_D2 ug/m3 (Standard Smoke, Calculated Value)
L_D2	...	
H_D3	...	PM10 = H_D3 * 256 + L_D3 ug/m3 (Standard Smoke, Calculated Value)
L_D3	...	
H_D4	...	PM1 = H_D4 * 256 + L_D4 ug/m3 (Environment, Calculated Value)
L_D4	...	
H_D5	...	PM2.5 = H_D5 * 256 + L_D5 ug/m3 (Environment, Calculated Value)
L_D5	...	
H_D6	...	PM10 = H_D6 * 256 + L_D6 ug/m3 (Environment, Calculated Value)
L_D6	...	
H_D7	...	
L_D7	...	
H_D8	...	
L_D8	...	
H_D9	...	
L_D9	...	
H_D10	...	
L_D10	...	
H_D11	...	
L_D11	...	
H_D12	...	
L_D12	...	
H_D13	...	Version number
L_D13	...	Error code 0b0ABCDEFGG A = 1 Laser error B = 1 Laser alarm C = 1 High temperature alarm D = 1 Low temperature alarm E = 1 Fan error F = 1 Fan speed compensation start G = 1 Fan speed alarm
H_CS	...	CS = HEAD1 + HEAD2 + ... + L_D13
L_CS	...	

* We recommend the customers use PM values with the standard smoke.

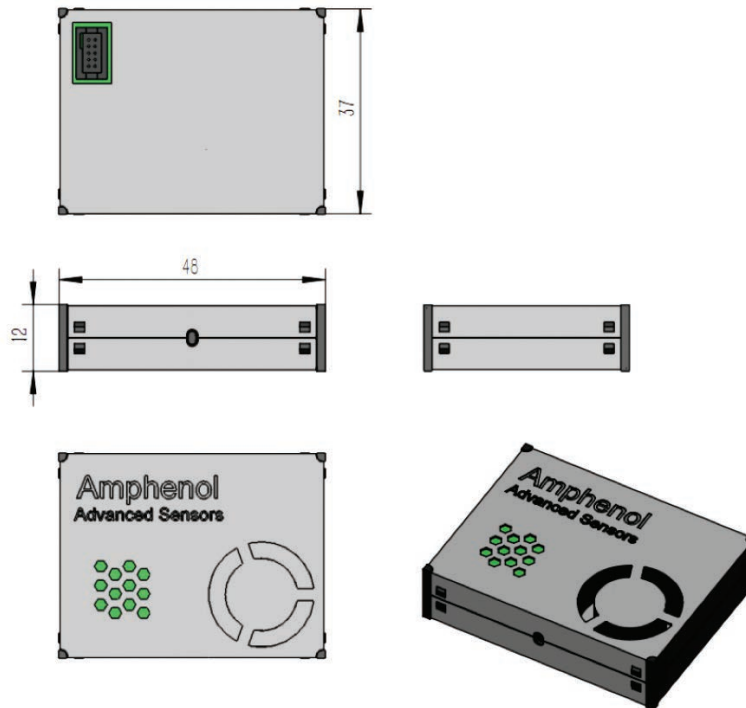
SM-UART-04L Laser Dust Sensor

Response Mode - Command Frame

Head 1	Head 2	CMD	D1	D2	CRC1	CRC2
0x42	0x4D	CMD	DATAH	DATAL	LRCH	LRCL

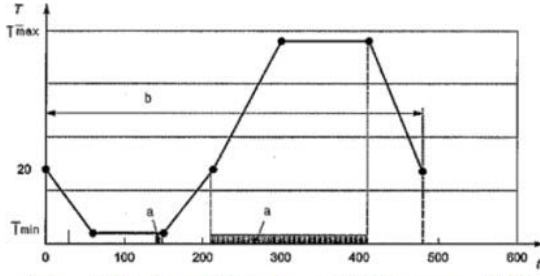
CMD	DATAH	DATAL	Description	Response
0xE2	X	X	Get reading	Same format as above table
0xE1	X	0x00 – Ask-answer mode 0x01 – Direct output mode	Output mode switch	0x42 0x4D 0x00 0x04 0xE1 0x00 0x01 0x74 0x42 0x4D 0x00 0x04 0xE1 0x01 0x01 0x75
0xE4	X	0x00 – Standby mode 0x01 – Working mode	Standby control	0x42 0x4D 0x00 0x04 0xE4 0x00 0x01 0x77

Dimensions

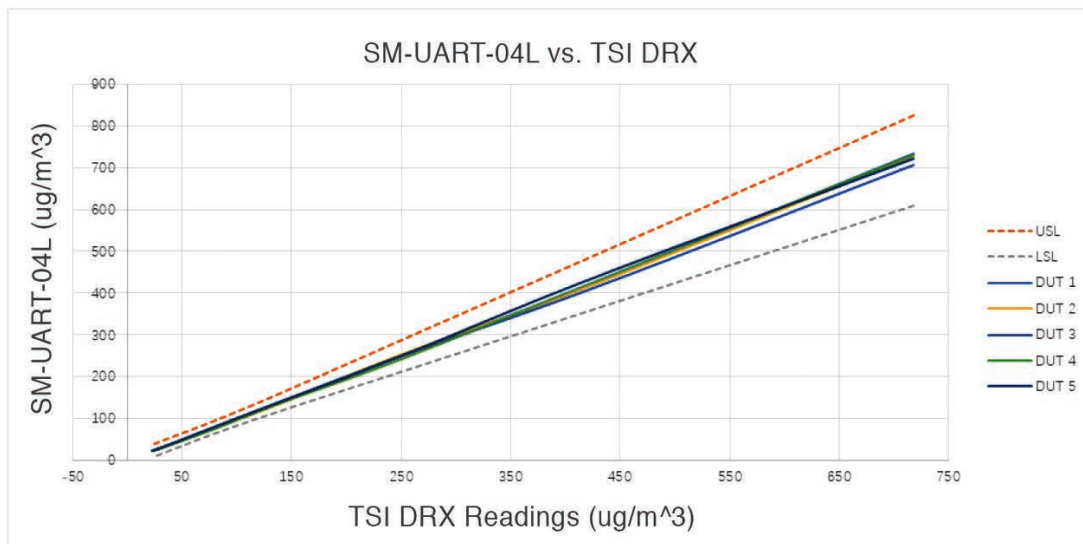


SM-UART-04L Laser Dust Sensor

Reliability

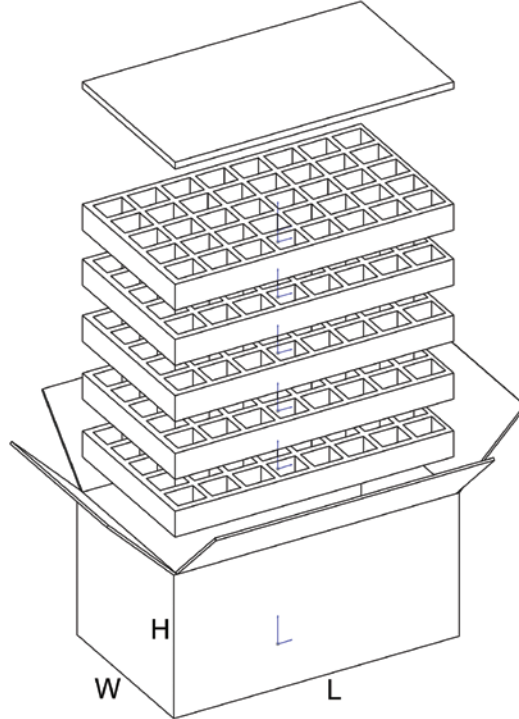
1	Drop	Drop it unintentionally from 100 cm height down to the hard wooden board three times at random direction
2	High Temp. Storage	Leave in the atmosphere 70°C for 96 hours
3	Low Temp. Storage	Leave in the atmosphere -30°C for 72 hours
4	High Temp. Operation	Operate it in the atmosphere of 50°C for 96 hours
5	Low Temp. Operation	Operate it in the atmosphere of -10°C for 72 hours
6	Temperature Cycle	Repeat 30 times in the following cycle  其中: T-温度, °C; t-时间, min; a-工作模式3.2; b-一个循环
7	Operating Volt. Range	VCC = 4.8V/5.0V/5.2V Verify Indication Error within SPEC (0~1000ug/m3)
8	Slow Decrease & Increase of Supply Voltage	Decrease the supply volt. from the minimum supply voltage 4.8V to 0V, then increase it from 0V to 5.2V, applying a change rate in equal steps of not more than 200 mV/ min. Test dust concentration is 250 +/- 50 ug/m3
9	Short Circuit Protection	Connect all pins to the pins next to them for a duration of 60s with power supplied and all other pins remain open. Class C satisfied
10	Reliability - Operating	TA=25°C, RH=30~70%, VCC=5V Continuously operate 720h. Verify Indication Error within SPEC (0~1000ug/m3)
11	Reliability – ON/OFF	10s ON/10s OFF, operate for 72h. Verify Indication Error within SPEC (0~1000ug/m3)
12	Salt Spray	According to GB/T 2423.17-93, spray 5% NaCl solution in salt mist box at 35°C for 24 hours, then clean with water after test

Data Consistency



Packing Specifications

Length (L)	Width (W)	Height (H)	Inner Qty	Total Qty	Weight
418.2mm	295mm	210mm	5 layer	200 pcs	5kg max



Application Notes

Grounding

The metal case is internally connected to GND. Do not strip the metal case.

Maintenance

The product is designed to be maintenance free.

Do not attempt to disassemble the device. There are no user-servicable parts in the module. Disassembly will invalidate warranty.

Electro-Magnetic (EM) Noise

Excessive electro-magnetic (EM) noise may degrade sensor performance. Shield sensor from EM noise in application.

Vibration

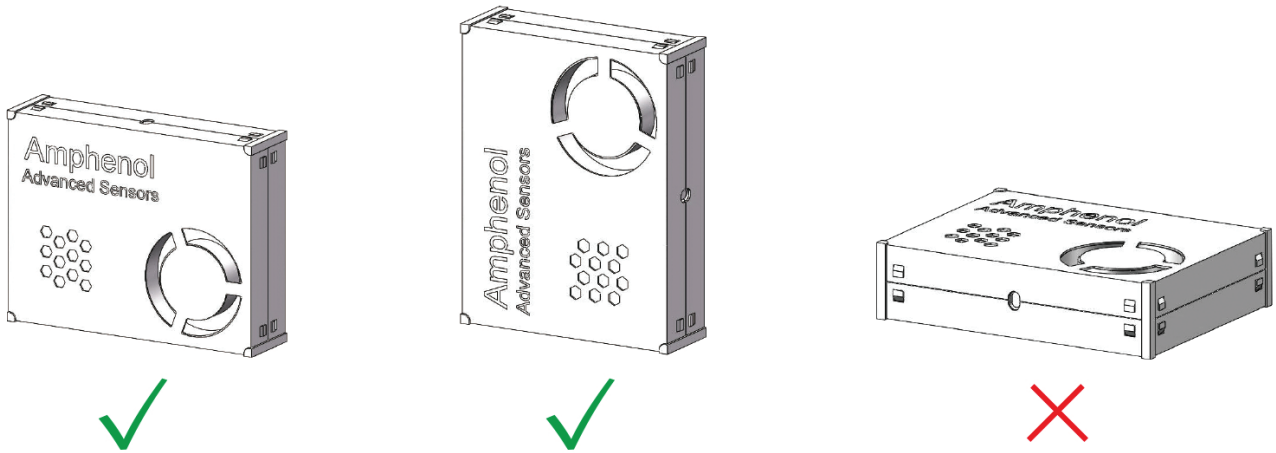
Excessive vibration may degrade sensor's performance. Please keep sensor far from vibration in application.

Ambient Light

Excessive ambient light may degrade sensor performance. Keep sensor far from intense direct light.

Mounting Orientation

Please take sensor mounting orientation into consideration to avoid the influence of adhered dust. The sensor is installed vertically as the best of below:



In addition, please avoid any adhesive particle (fur, oil, etc). If particles adhere to optical part, malfunction may occur.



Компания «ЭлектроПласт» предлагает заключение долгосрочных отношений при поставках импортных электронных компонентов на взаимовыгодных условиях!

Наши преимущества:

- Оперативные поставки широкого спектра электронных компонентов отечественного и импортного производства напрямую от производителей и с крупнейших мировых складов;
- Поставка более 17-ти миллионов наименований электронных компонентов;
- Поставка сложных, дефицитных, либо снятых с производства позиций;
- Оперативные сроки поставки под заказ (от 5 рабочих дней);
- Экспресс доставка в любую точку России;
- Техническая поддержка проекта, помощь в подборе аналогов, поставка прототипов;
- Система менеджмента качества сертифицирована по Международному стандарту ISO 9001;
- Лицензия ФСБ на осуществление работ с использованием сведений, составляющих государственную тайну;
- Поставка специализированных компонентов (Xilinx, Altera, Analog Devices, Intersil, Interpoint, Microsemi, Aeroflex, Peregrine, Syfer, Eurofarad, Texas Instrument, Miteq, Cobham, E2V, MA-COM, Hittite, Mini-Circuits, General Dynamics и др.);

Помимо этого, одним из направлений компании «ЭлектроПласт» является направление «Источники питания». Мы предлагаем Вам помощь Конструкторского отдела:

- Подбор оптимального решения, техническое обоснование при выборе компонента;
- Подбор аналогов;
- Консультации по применению компонента;
- Поставка образцов и прототипов;
- Техническая поддержка проекта;
- Защита от снятия компонента с производства.



Как с нами связаться

Телефон: 8 (812) 309 58 32 (многоканальный)

Факс: 8 (812) 320-02-42

Электронная почта: org@eplast1.ru

Адрес: 198099, г. Санкт-Петербург, ул. Калинина, дом 2, корпус 4, литера А.