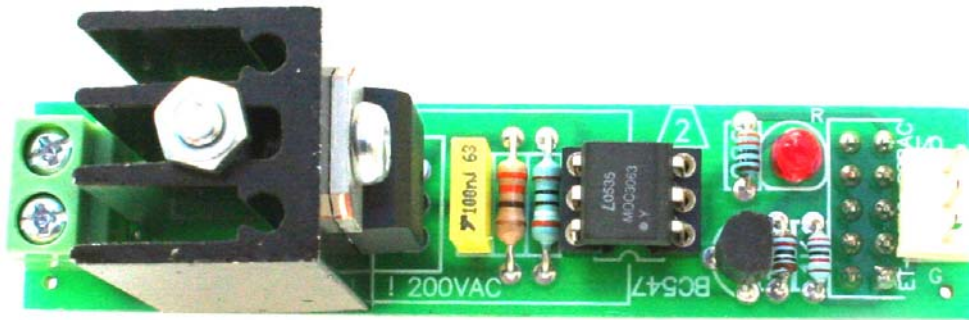


**MR-BusIO-SSRAC™ BusIO Solid State Relay BOARD  
User Manual**

# GRAVITECH.US



# *uResearch*

**GRAVITECH GROUP**

**Copyright © 2007 MicroResearch**  
GRAVITECH GROUP      [WWW.GRAVITECH.US](http://WWW.GRAVITECH.US)

# MR-BusIO-SSRAC™ BusIO Solid State Relay BOARD User Manual

## Description

The MR-BusIO-SSRAC is an experiment board for switching AC output voltage by using SSR (Solid State Relay). SSR is similar to mechanical relay that consists of inductor and surface contact. The internal structure of SSR uses semiconductor material to switching ON and OFF. The maximum controlling voltage is 400VAC at 6A. It is best for switching AC output voltage.

The board can be use with MR-BusIO-MAIN board or stand-alone. PCB size is 0.63" x 2.80"

## Operation:

General structure of SSR is shown in figure 1. Voltage applied to the input of an SSR causes the LED to shine on the photo-sensitive diode. The voltage is causing the TRIAC to turn on.

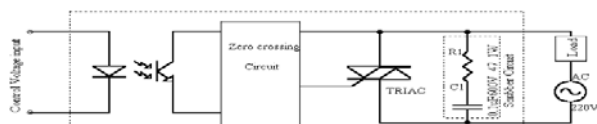


FIG 1: General structure of SSR

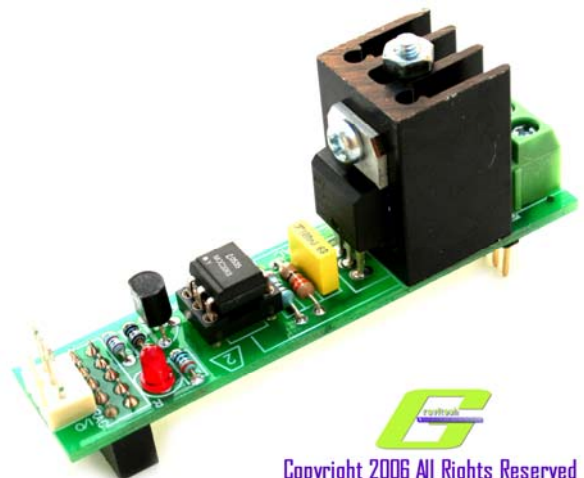
The board consists of MOC3042 IC which internally combined photo-coupler and zero crossing circuit together. The function of zero crossing circuit is to detect the voltage at zero point and supply current to the gate of the TRIAC. For 330ohm resistor and 0.1uF capacitor at the gate of the TRIAC, their function is sharing the current at the gate so they are not too high. Also, protect external noise into circuit.

The circuit is operating with AC voltage only. It is start when applying logic HIGH to an I/O pin. The indicator LED then illuminated which mean it is now close circuit.

User can connect AC load up to 400VAC at 6A through output 2-PIN terminal block. In case of interfacing with inductance load such as motor, user should add Snubber circuit by putting R1 47ohm 1W resistor and C1 0.1uF 600V capacitor as shown in Figure 1.



Copyright 2006 All Rights Reserved



Copyright 2006 All Rights Reserved

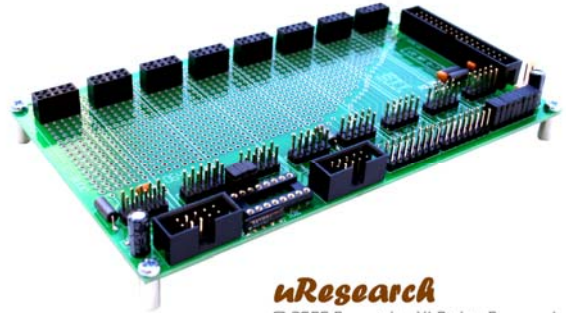
# MR-BusIO-SSRAC™ BusIO Solid State Relay BOARD User Manual

## MR-BusIO-MAIN

The MR-BusIO-MAIN is available for purchase via our website. If you don't see the item you need, please contract our sales department at [sales@gravitech.us](mailto:sales@gravitech.us)

- **MR-BusIO-MAIN**

Experiment board which receives output signals from any microcontrollers. The signals then distribute to daughter boards for each experiment. It designed to connect directly with 10PIN MRconnect®. It is a quick and easy way to control up to 8 daughter boards.



**uResearch**  
© 2007 Copyright, All Rights Reserved

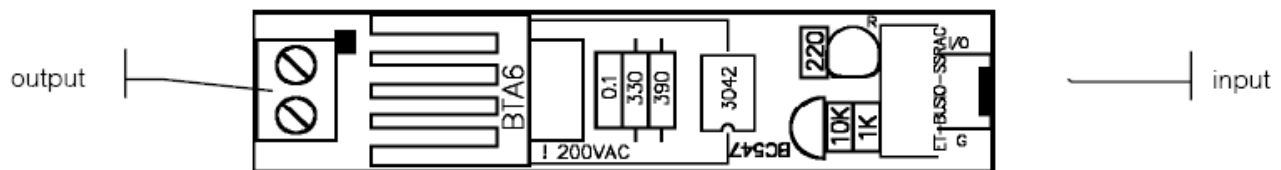


FIG 2: MR-BusIO-SSRAC Board Layout

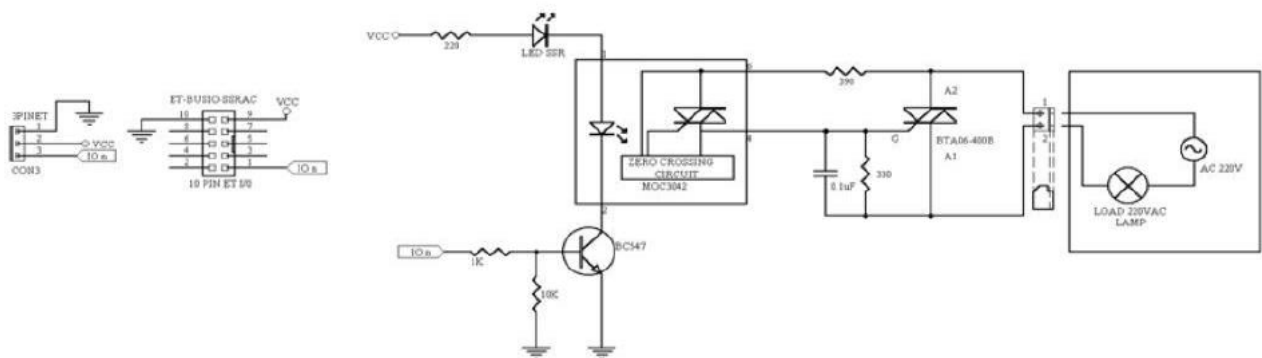


FIG 3: MR-BusIO-SSRAC Schematic

# MR-BusIO-SSRAC™ BusIO Solid State Relay BOARD User Manual

## Notes

## Contact Us

We maintain a website where you can get information on our products, obtain literature and download support files. Visit us online at:

**[WWW.GRAVITECH.US](http://WWW.GRAVITECH.US)**

Use our online Forum or e-mail your technical support questions to [support@gravitech.us](mailto:support@gravitech.us). We try to respond to your questions the same day.

For sales questions or to place and order, direct your e-mails to [sales@gravitech.us](mailto:sales@gravitech.us). Refer to our website for product pricing, shipping rates, payment instructions, and for other info we need to complete your order.

**Disclaimer: MicroResearch reserves the right to modify its products or literature, or to discontinue any product at any time without prior notice. The customer is responsible for determining the suitability of any device for any application developed using MicroResearch components.**

**Copyright © 2007 MicroResearch**  
GRAVITECH GROUP      WWW.GRAVITECH.US



Компания «ЭлектроПласт» предлагает заключение долгосрочных отношений при поставках импортных электронных компонентов на взаимовыгодных условиях!

Наши преимущества:

- Оперативные поставки широкого спектра электронных компонентов отечественного и импортного производства напрямую от производителей и с крупнейших мировых складов;
- Поставка более 17-ти миллионов наименований электронных компонентов;
- Поставка сложных, дефицитных, либо снятых с производства позиций;
- Оперативные сроки поставки под заказ (от 5 рабочих дней);
- Экспресс доставка в любую точку России;
- Техническая поддержка проекта, помощь в подборе аналогов, поставка прототипов;
- Система менеджмента качества сертифицирована по Международному стандарту ISO 9001;
- Лицензия ФСБ на осуществление работ с использованием сведений, составляющих государственную тайну;
- Поставка специализированных компонентов (Xilinx, Altera, Analog Devices, Intersil, Interpoint, Microsemi, Aeroflex, Peregrine, Syfer, Eurofarad, Texas Instrument, Miteq, Cobham, E2V, MA-COM, Hittite, Mini-Circuits, General Dynamics и др.);

Помимо этого, одним из направлений компании «ЭлектроПласт» является направление «Источники питания». Мы предлагаем Вам помощь Конструкторского отдела:

- Подбор оптимального решения, техническое обоснование при выборе компонента;
- Подбор аналогов;
- Консультации по применению компонента;
- Поставка образцов и прототипов;
- Техническая поддержка проекта;
- Защита от снятия компонента с производства.



#### Как с нами связаться

**Телефон:** 8 (812) 309 58 32 (многоканальный)

**Факс:** 8 (812) 320-02-42

**Электронная почта:** [org@eplast1.ru](mailto:org@eplast1.ru)

**Адрес:** 198099, г. Санкт-Петербург, ул. Калинина, дом 2, корпус 4, литера А.