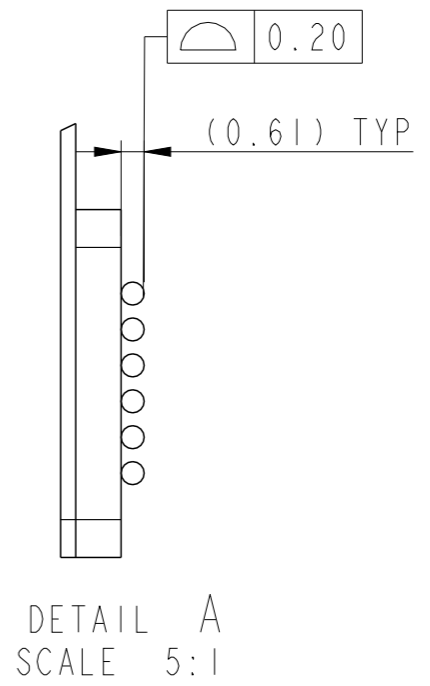
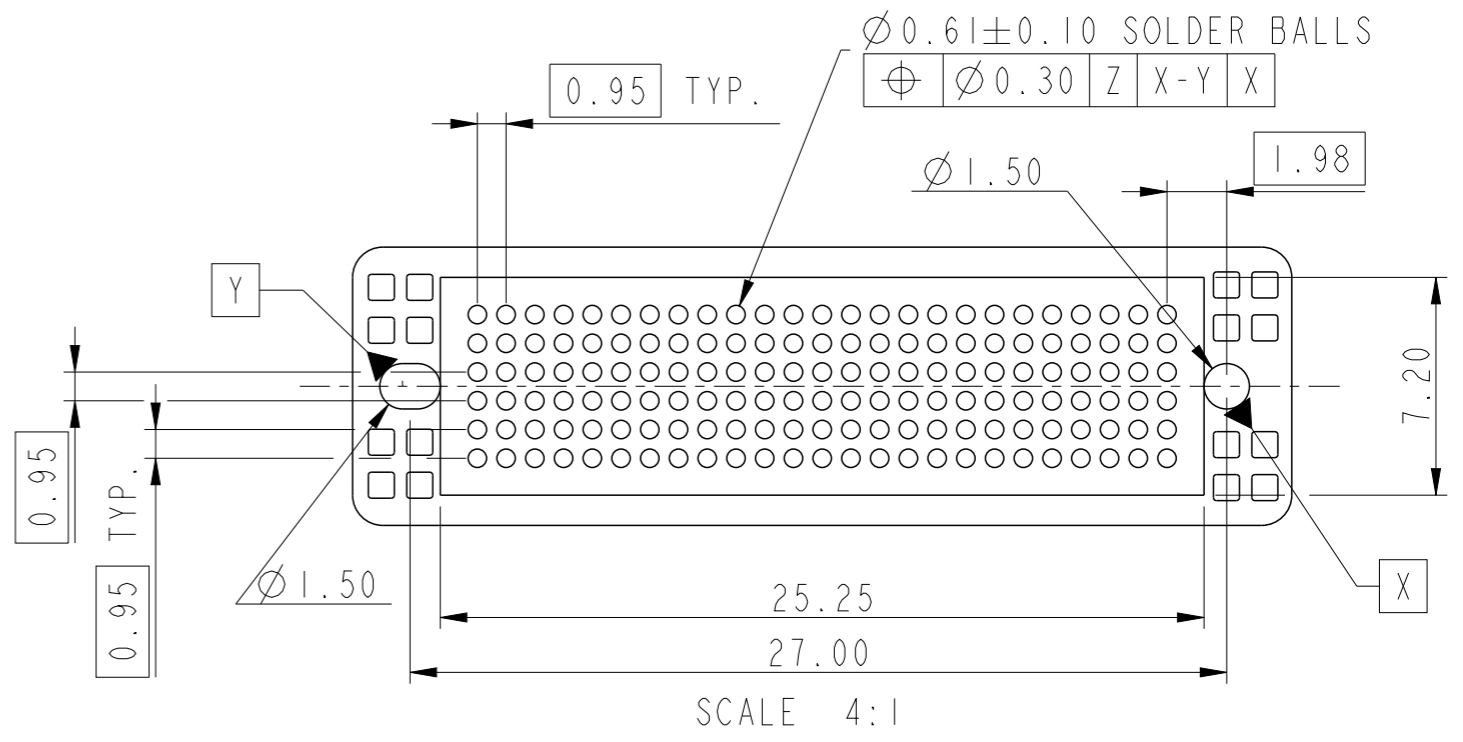
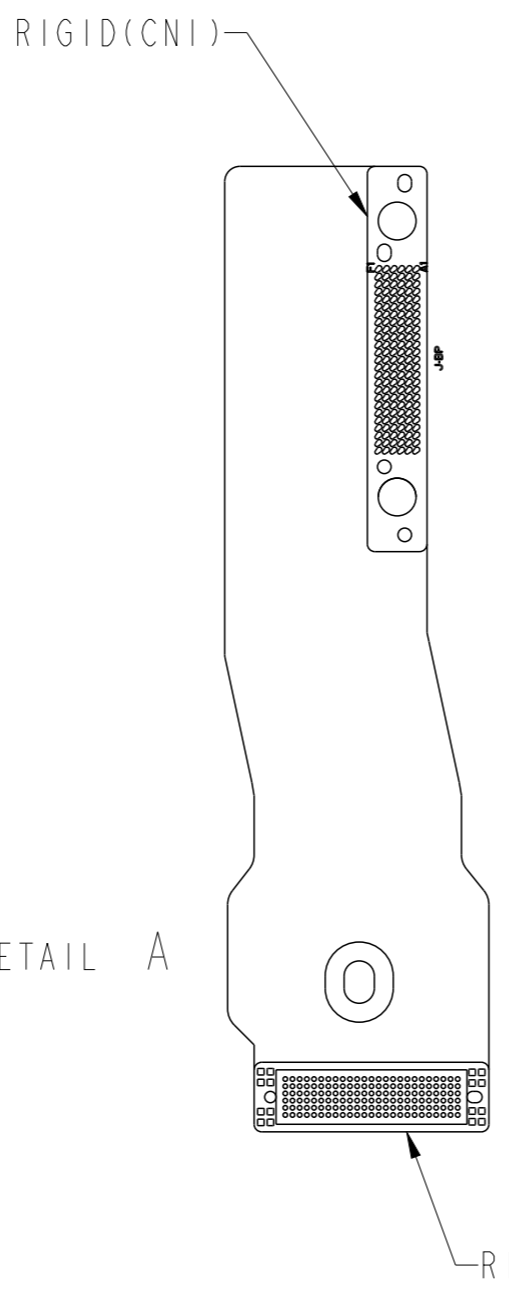
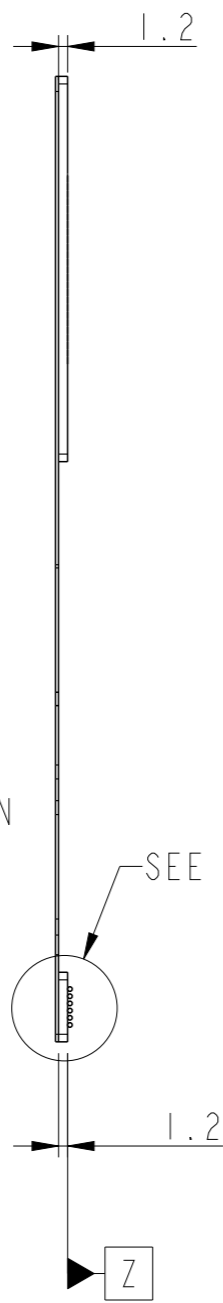
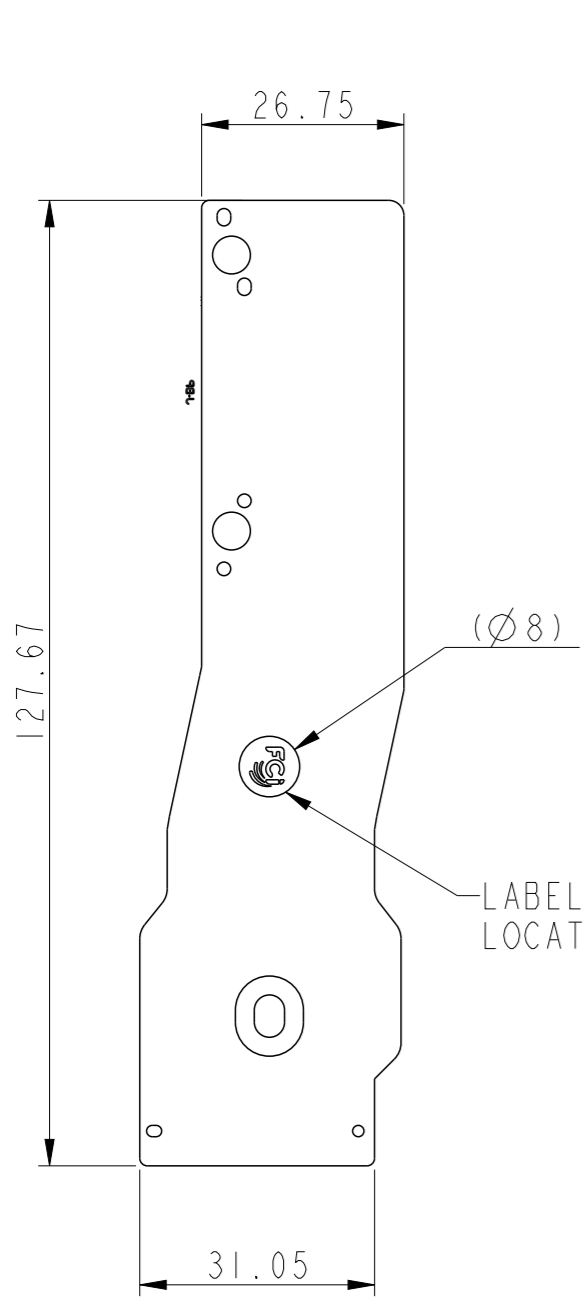


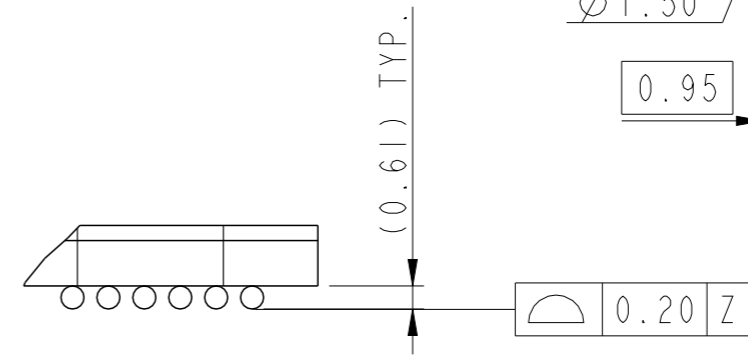
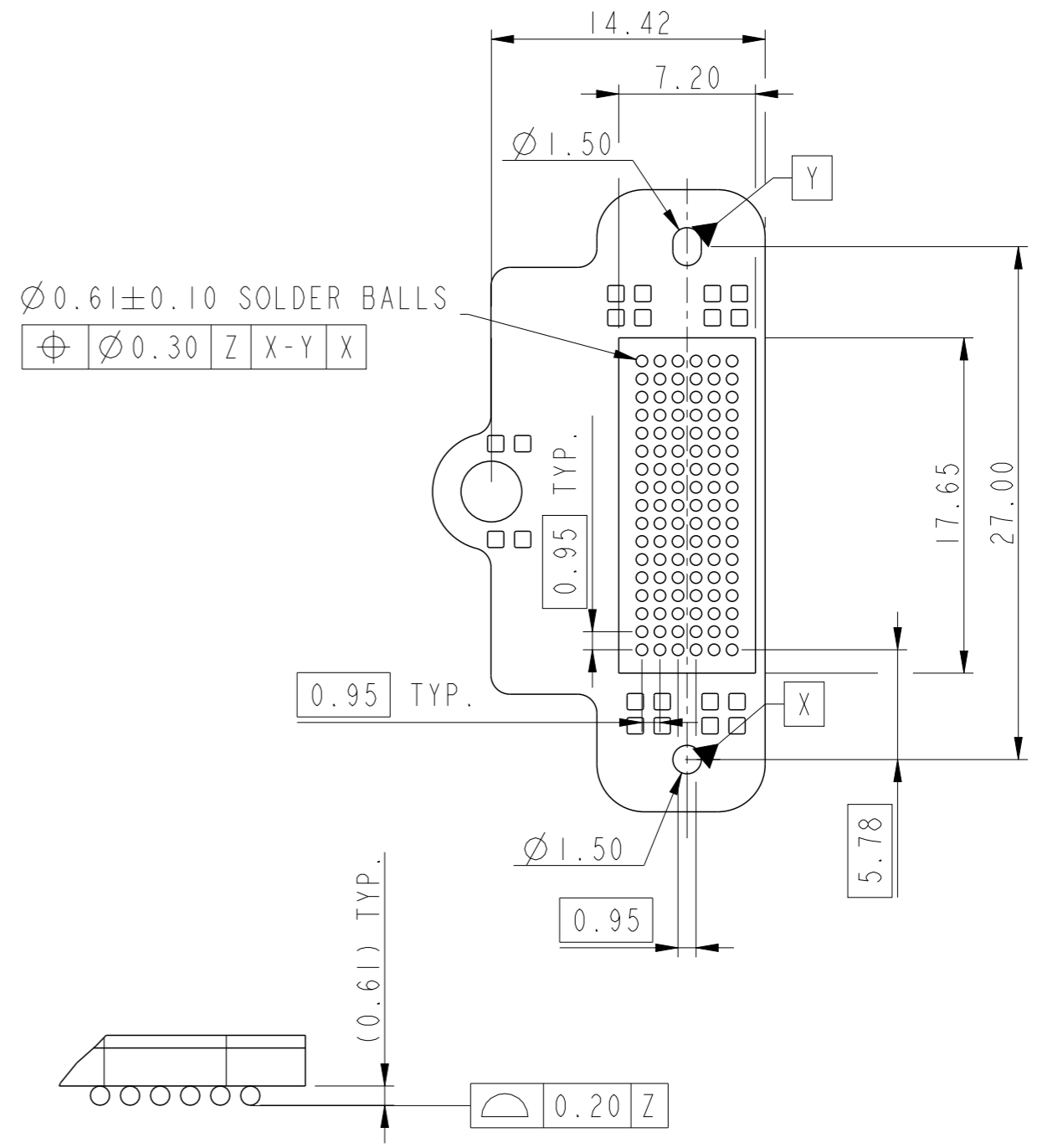
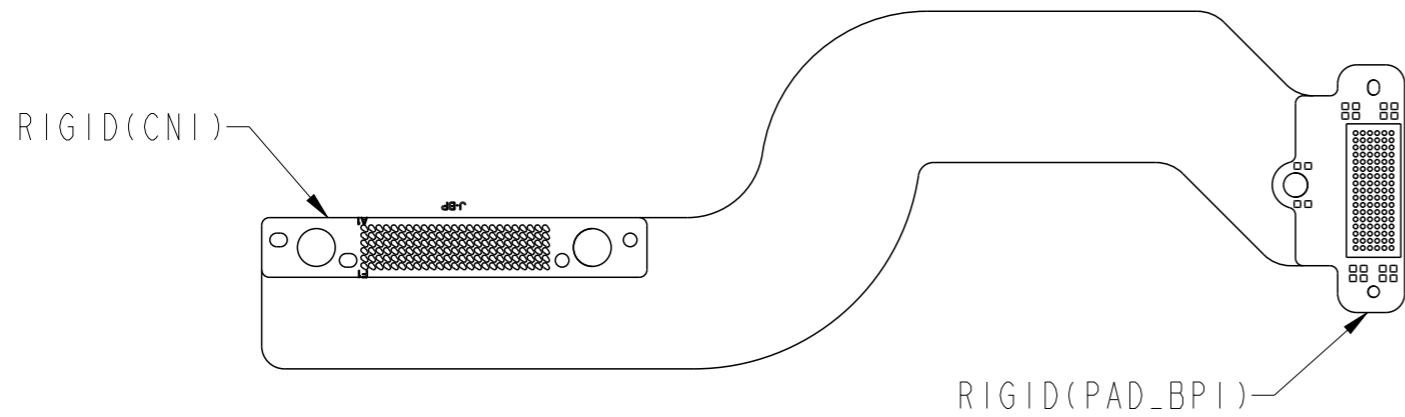
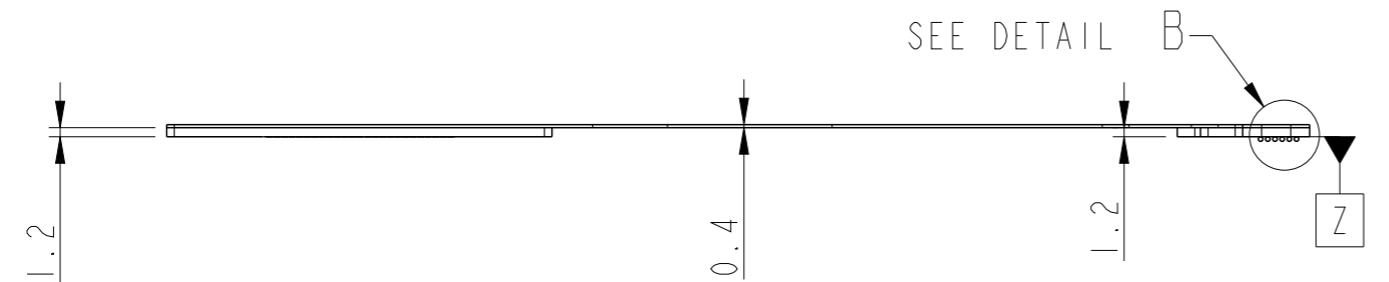
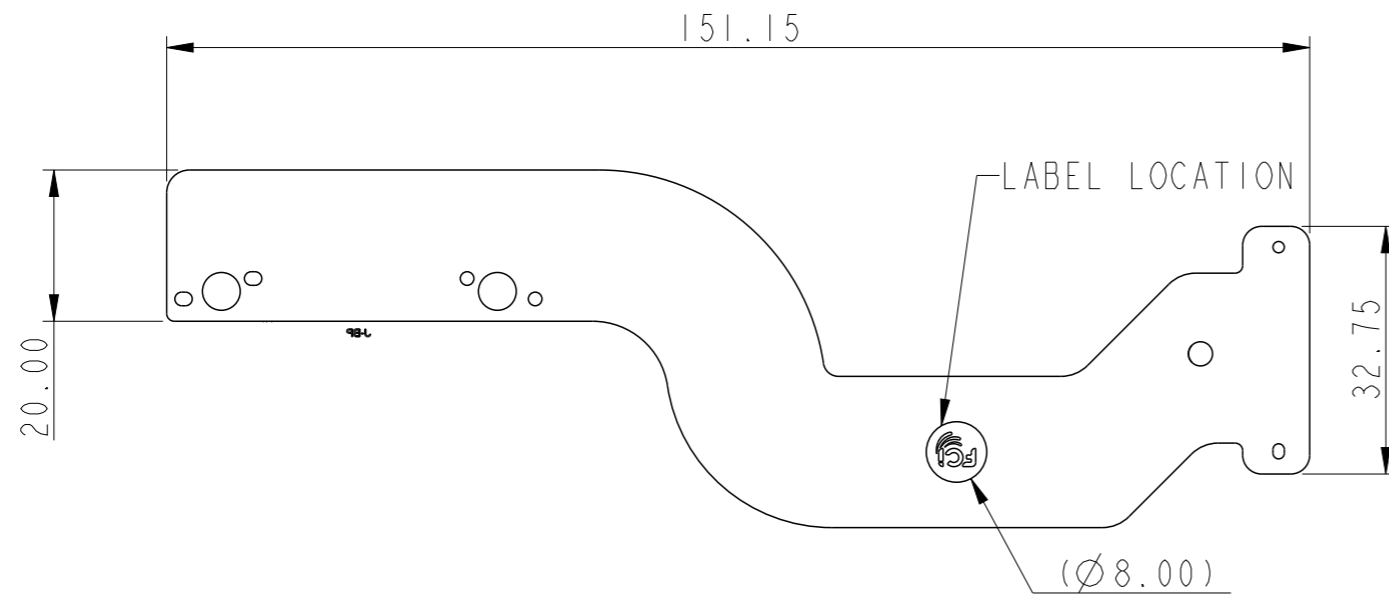
| Product P/N        | Wistron P/N    | BGA Array Pattern |
|--------------------|----------------|-------------------|
| 10129553-14430TxLF | 550.00501.0011 | 6X25              |
| 10129553-14430MxLF | 550.00501.0001 |                   |
| 10129553-14430WxLF | 550.00501.0021 |                   |



© 2016 AFCI  
 Amphenol  
 FCI

|                                       |            |       |              |                         |                                  |                        |               |                |           |          |
|---------------------------------------|------------|-------|--------------|-------------------------|----------------------------------|------------------------|---------------|----------------|-----------|----------|
| spec ref                              | -          | dr    | Zhen Luo     | 2016/08/18              | projection                       | MM                     | size          | A3             | scale     | 1:1      |
| tolerance std                         | ASME Y14.5 | eng   | Michael Song | 2016/12/07              |                                  |                        | ecn no        | ELX-DG-25561-1 | rel level | Released |
| TOLERANCES UNLESS OTHERWISE SPECIFIED |            | chr   | Heaven Cen   | 2016/12/07              |                                  |                        |               |                |           |          |
| surface                               | linear     | 0.X   | ±0.30        | <b>Amphenol<br/>FCI</b> | Flex Cable BGA Assembly<br>Brawn |                        | dwg no        | 10129553       | rev       | B        |
|                                       |            | 0.XX  | ±0.20        |                         |                                  |                        |               |                |           |          |
|                                       |            | 0.XXX | ±0.10        |                         |                                  |                        |               |                |           |          |
| ASME Y14.5                            | angular    | 0°    | ±2°          | cat. no.                | -                                | Product - Customer Drw | sheet 1 of 11 |                |           |          |

| Product P/N        | Wistron P/N    | BGA Array Pattern |
|--------------------|----------------|-------------------|
| 10129553-14426TxLF | 550.00609.0001 | 6X17              |
| 10129553-14426MxLF | 550.00609.0011 |                   |
| 10129553-14426WxLF | 550.00609.0021 |                   |

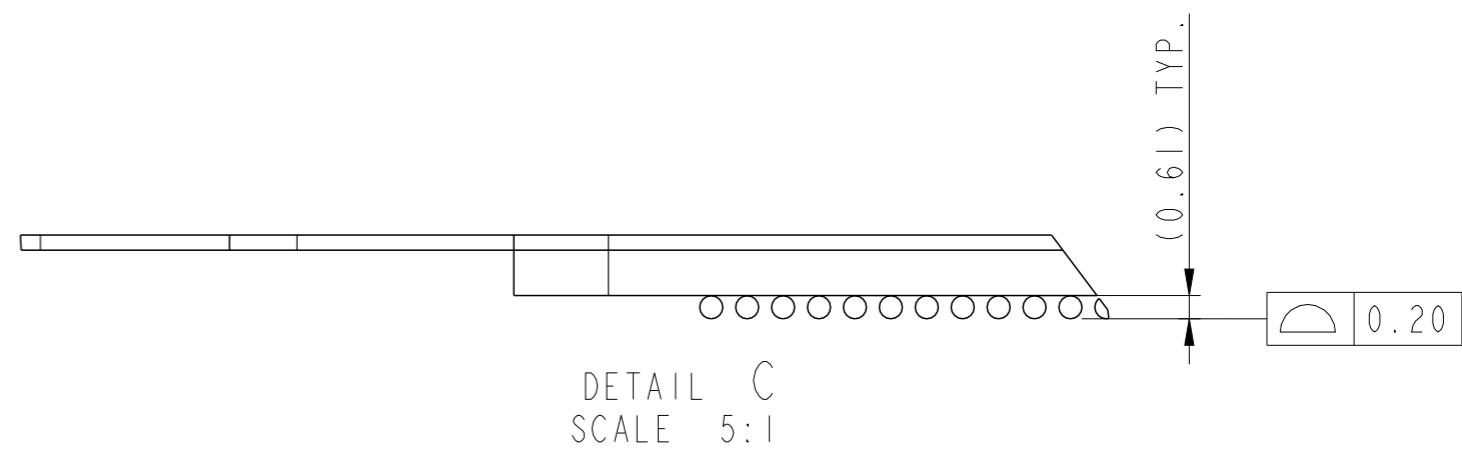
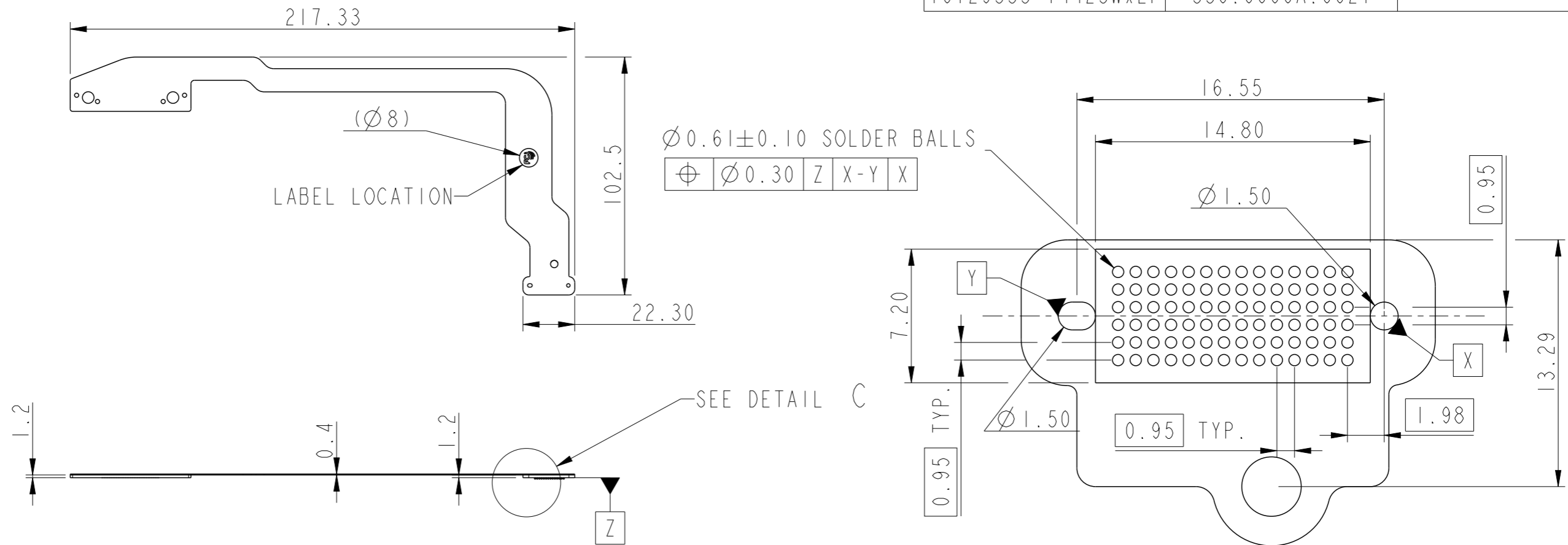


DETAIL B  
SCALE 5:1

|                                       |  |       |              |   |                                 |   |        |                |       |           |
|---------------------------------------|--|-------|--------------|---|---------------------------------|---|--------|----------------|-------|-----------|
| spec ref                              | -  | dr    | Zhen Luo     | 2016/08/18  | projection                      | MM                                      | size   | A3             | scale | 1:1       |
| tolerance std                         | ASME Y14.5   | eng   | Michael Song | 2016/12/07  |                                 |   | ecn no | ELX-DG-25561-1 |       |           |
| TOLERANCES UNLESS OTHERWISE SPECIFIED |  | chr   | Heaven Cen   | 2016/12/07  |                                 |   |        | product family | -     | rel level |
| surface                               | <input checked="" type="checkbox"/> linear<br><input type="checkbox"/> angular | 0.X   | ±0.30        | <b>Amphenol FCI</b><br>title Flex Cable BGA Assembly<br>Brawn<br>cat. no. - | dwg no 10129553<br>rev <b>B</b> | Product - Customer Drw<br>sheet 2 of 11 |        |                |       |           |
|                                       |  | 0.XX  | ±0.20        |   |                                 |   |        |                |       |           |
| ASME Y14.5                            | 0.XXX  | ±0.10 | angular      |   |                                 |   | 0°     | ±2°            |       |           |

© 2016 AFCI  
 Amphenol FCI

| Product P/N        | Wistron P/N    | BGA Array Pattern |
|--------------------|----------------|-------------------|
| 10129553-14425TxLF | 550.0060A.0001 | 6X14              |
| 10129553-14425MxLF | 550.0060A.0011 |                   |
| 10129553-14425WxLF | 550.0060A.0021 |                   |

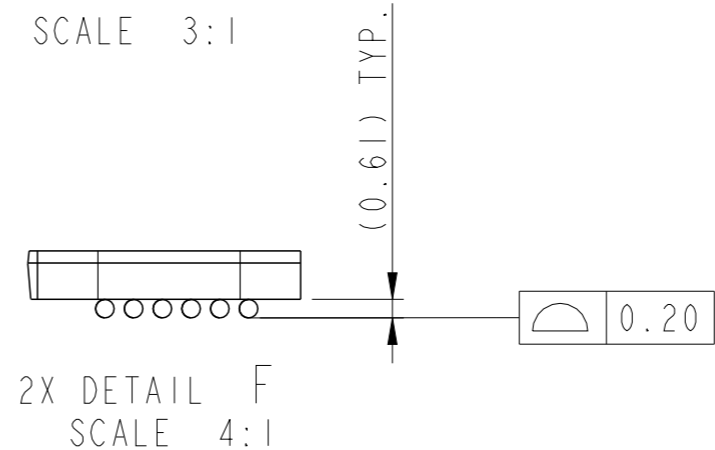
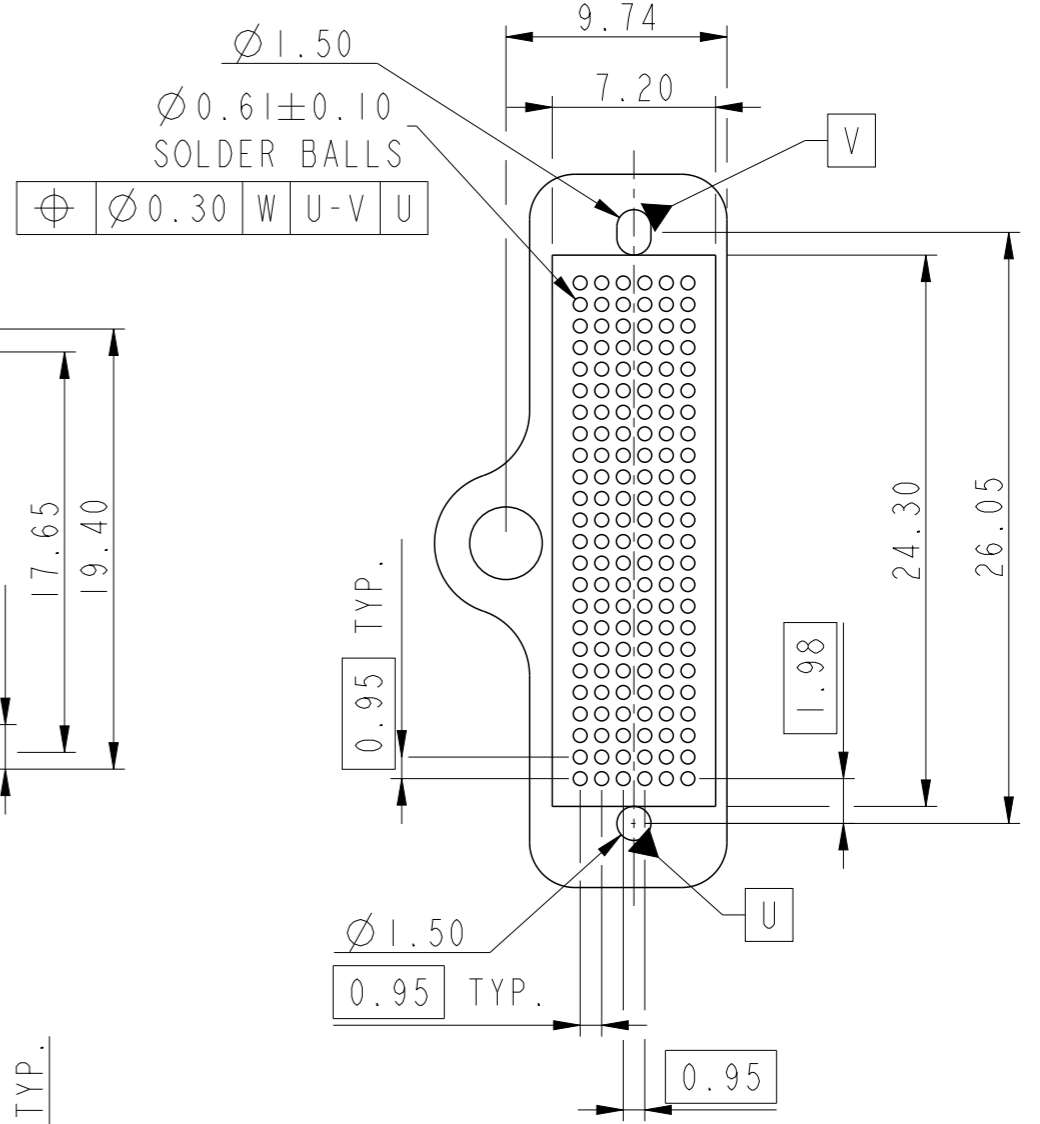
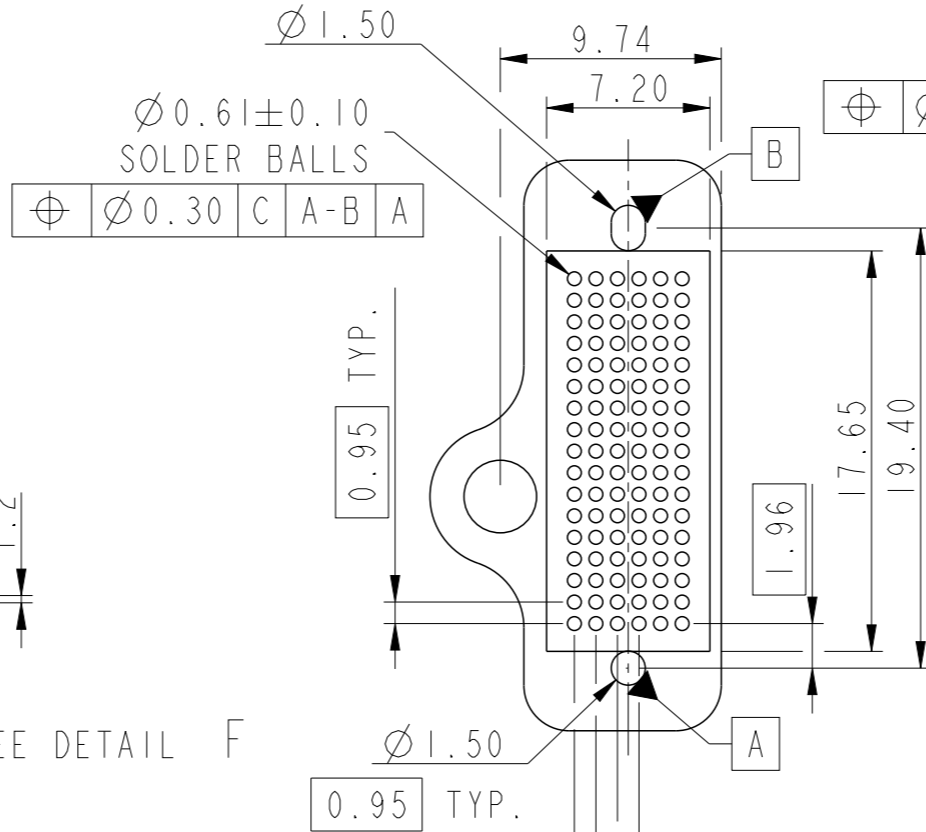
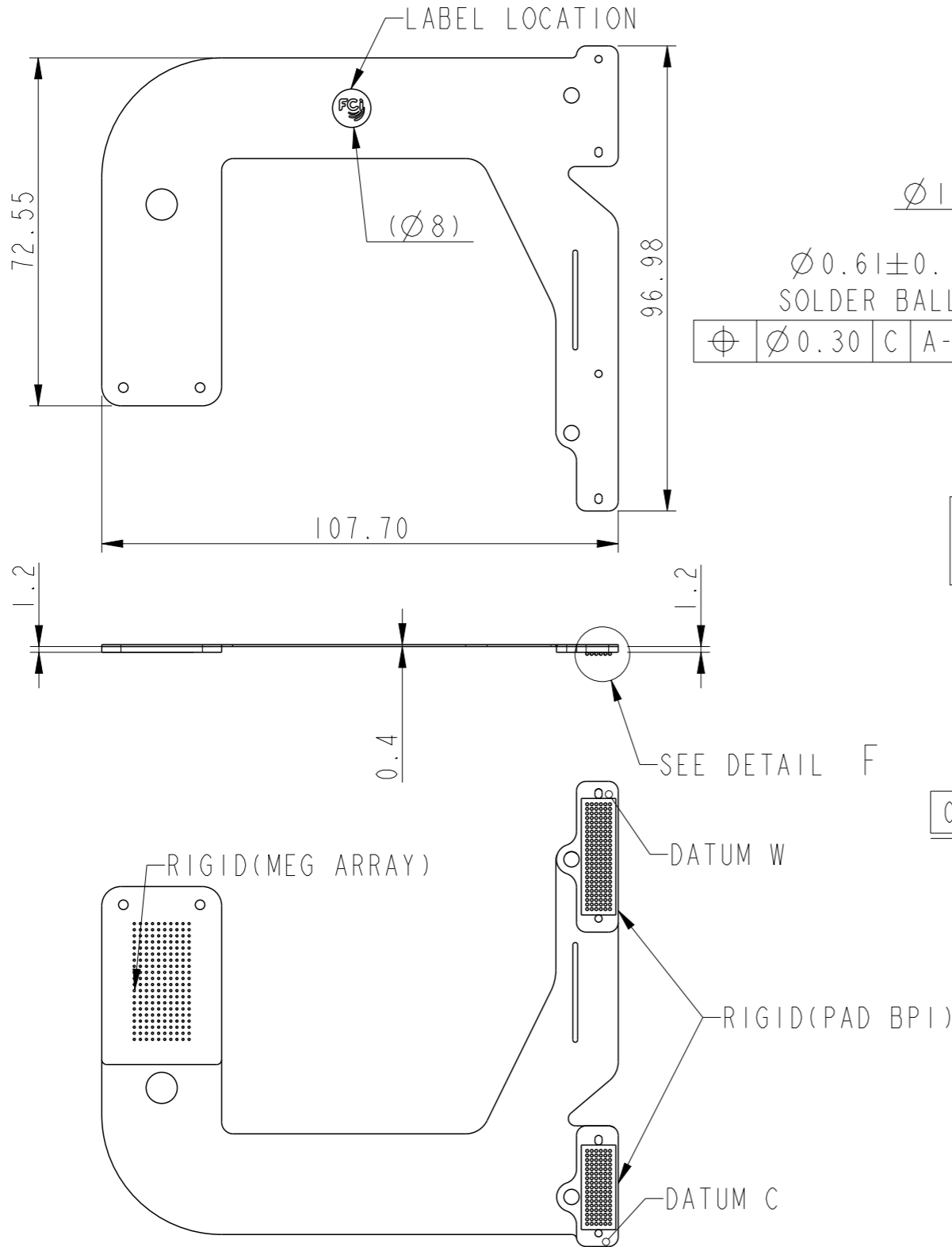


Amphenol FCI

© 2016 AFCI

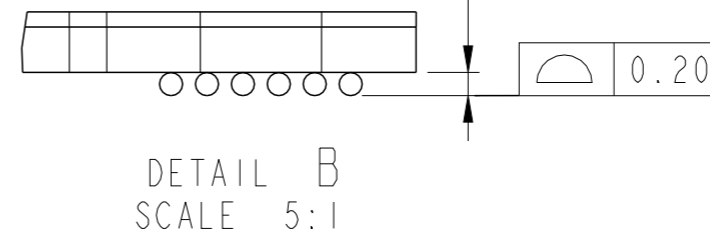
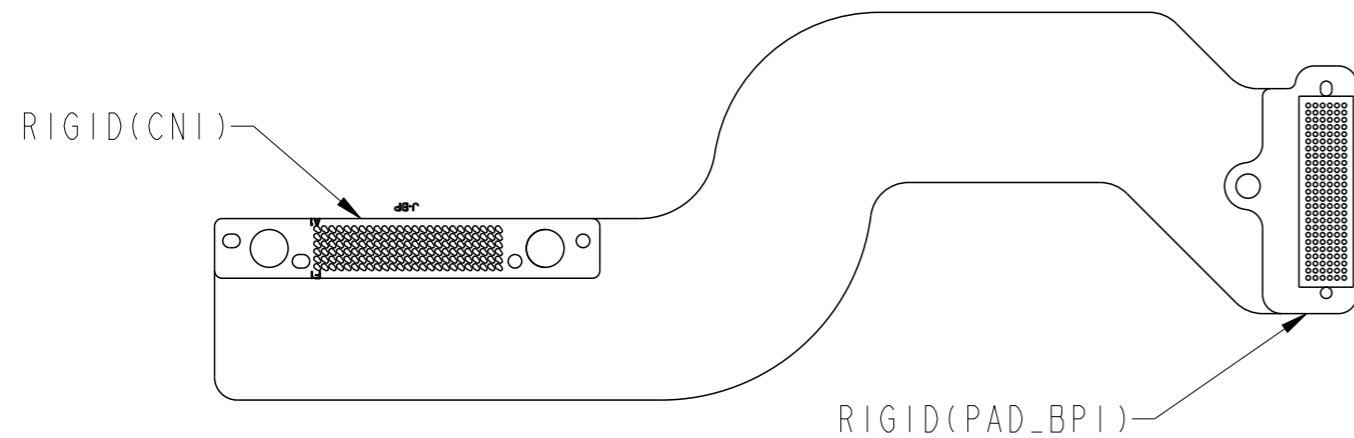
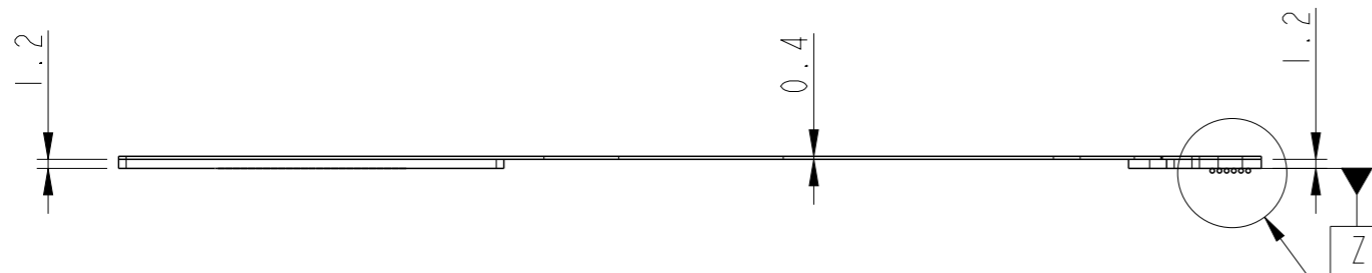
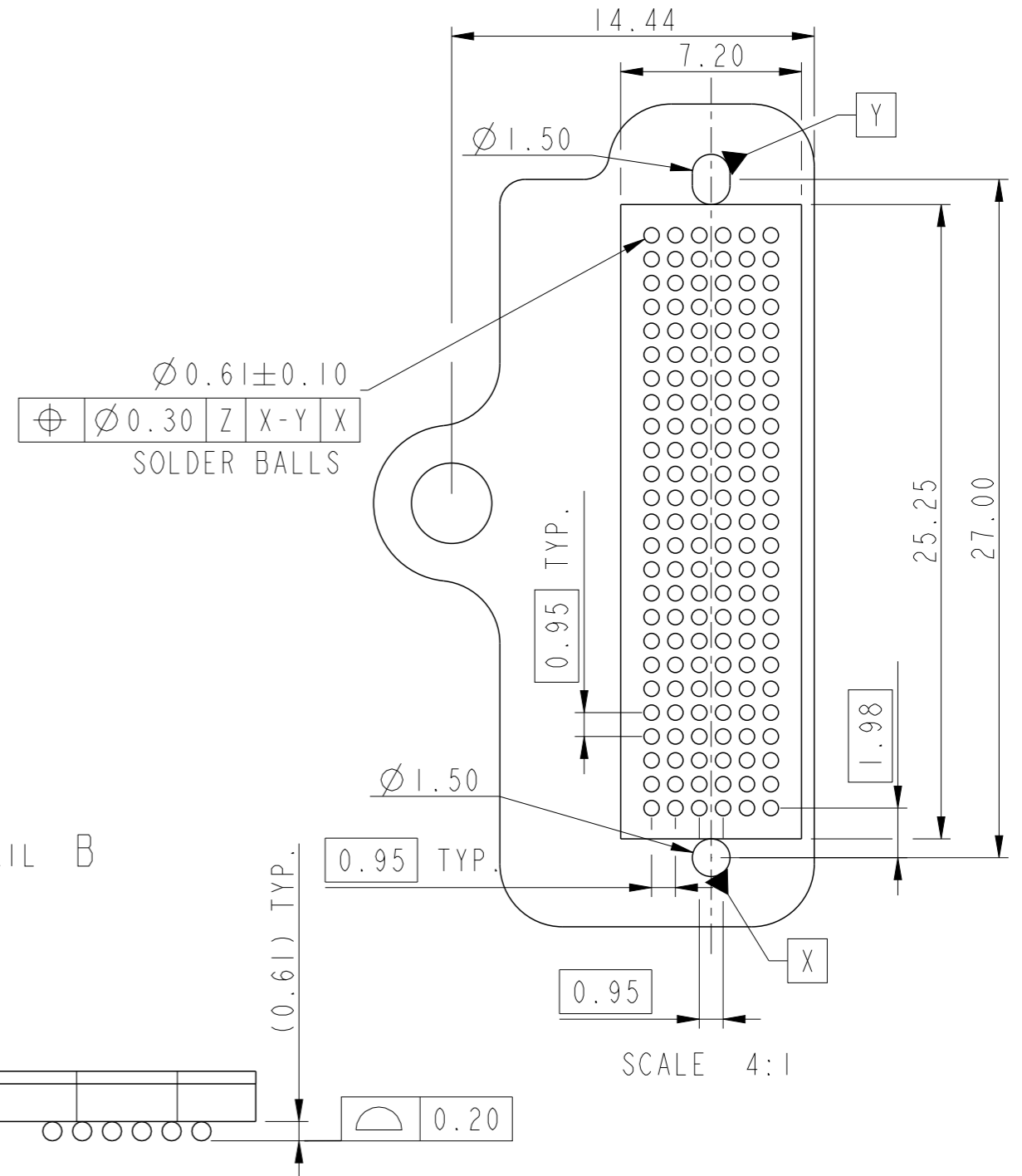
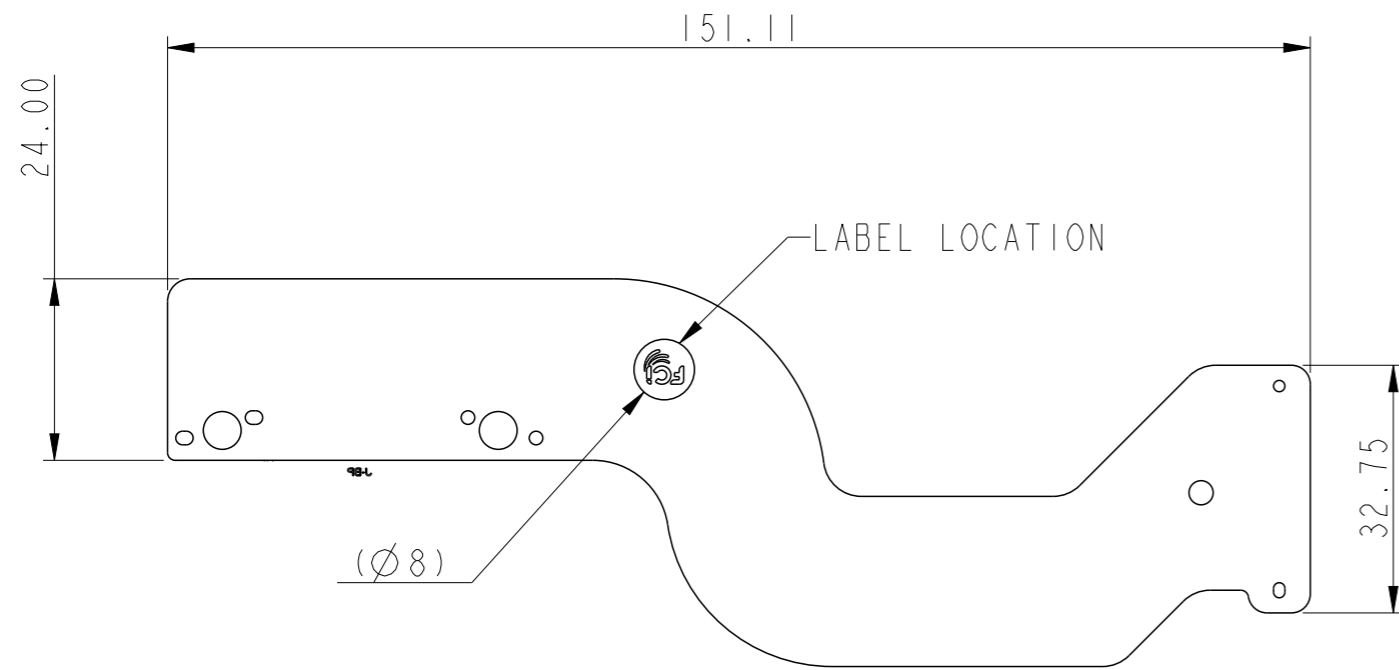
|                                       |            |   |                |            |                |                        |            |                |            |                     |   |       |                         |  |          |  |   |
|---------------------------------------|------------|---|----------------|------------|----------------|------------------------|------------|----------------|------------|---------------------|---|-------|-------------------------|--|----------|--|---|
| spec ref                              | -          | dr  | Zhen Luo       | 2016/08/18 | projection     | MM                     | size       | A3             | scale      | 1:2                 |   |       |                         |  |          |  |   |
| tolerance std                         | ASME Y14.5 | eng   | Michael Song   | 2016/12/07 |                |                        | ecn no     | ELX-DG-25561-1 |            |                     |   |       |                         |  |          |  |   |
| TOLERANCES UNLESS OTHERWISE SPECIFIED |            | chr   | Heaven Cen     | 2016/12/07 |                |                        | rel level  | Released       |            |                     |   |       |                         |  |          |  |   |
| surface                               | linear     | appr  | Pei-Ming Zheng | 2016/12/07 | product family | -                      | dwg no     | 10129553       |            | rev                 | B |       |                         |  |          |  |   |
| ASME Y14.5                            | angular    | <table border="1"> <tr> <td>0.X</td> <td><math>\pm 0.30</math></td> </tr> <tr> <td>0.XX</td> <td><math>\pm 0.20</math></td> </tr> <tr> <td>0.XXX</td> <td><math>\pm 0.10</math></td> </tr> </table> |                | 0.X        | $\pm 0.30$     | 0.XX                   | $\pm 0.20$ | 0.XXX          | $\pm 0.10$ | <b>Amphenol FCI</b> |   | title | Flex Cable BGA Assembly |  | cat. no. |  | - |
| 0.X                                   | $\pm 0.30$ |   |                |            |                |                        |            |                |            |                     |   |       |                         |  |          |  |   |
| 0.XX                                  | $\pm 0.20$ |   |                |            |                |                        |            |                |            |                     |   |       |                         |  |          |  |   |
| 0.XXX                                 | $\pm 0.10$ |   |                |            |                |                        |            |                |            |                     |   |       |                         |  |          |  |   |
|                                       |            |   |                |            |                | Product - Customer Drw |            | sheet 3 of 11  |            |                     |   |       |                         |  |          |  |   |

|                    |                |                   |
|--------------------|----------------|-------------------|
| Product P/N        | Wistron P/N    | BGA Array Pattern |
| 10129553-14423TxLF | 550.0060C.0001 | 6X17,6X24         |
| 10129553-14423MxLF | 550.0060C.0011 |                   |
| 10129553-14423WxLF | 550.0060C.0021 |                   |



|                                       |            |       |              |                         |  |                        |                    |                |           |          |
|---------------------------------------|------------|-------|--------------|-------------------------|--|------------------------|--------------------|----------------|-----------|----------|
| spec ref                              | -          | dr    | Zhen Luo     | 2016/08/18              | projection                             | MM                     | size               | A3             | scale     | 4:5      |
| tolerance std                         | ASME Y14.5 | eng   | Michael Song | 2016/12/07              |  |                        | ecn no             | ELX-DG-25561-1 |           |          |
| TOLERANCES UNLESS OTHERWISE SPECIFIED |            | chr   | Heaven Cen   | 2016/12/07              |  |                        | product family     | -              | rel level | Released |
| surface                               | linear     | 0.X   | ±0.30        | <b>Amphenol<br/>FCi</b> | title Flex Cable BGA Assembly<br>Brawn |                        | dwg no<br>10129553 | rev<br>B       |           |          |
|                                       |            | 0.XX  | ±0.20        |                         |  |                        |                    |                |           |          |
|                                       |            | 0.XXX | ±0.10        |                         |  |                        |                    |                |           |          |
| ASME Y14.5                            | angular    | 0°    | ±2°          | cat. no.                | -                                      | Product - Customer Drw | sheet 4 of 11      |                |           |          |

|                    |                |                   |
|--------------------|----------------|-------------------|
| Product P/N        | Wistron P/N    | BGA Array Pattern |
| 10129553-14424TxLF | 550.0060B.0001 | 6X25              |
| 10129553-14424MxLF | 550.0060B.0011 |                   |
| 10129553-14424WxLF | 550.0060B.0021 |                   |

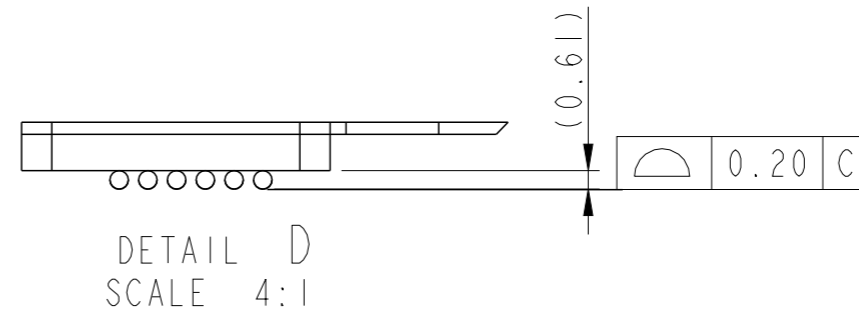
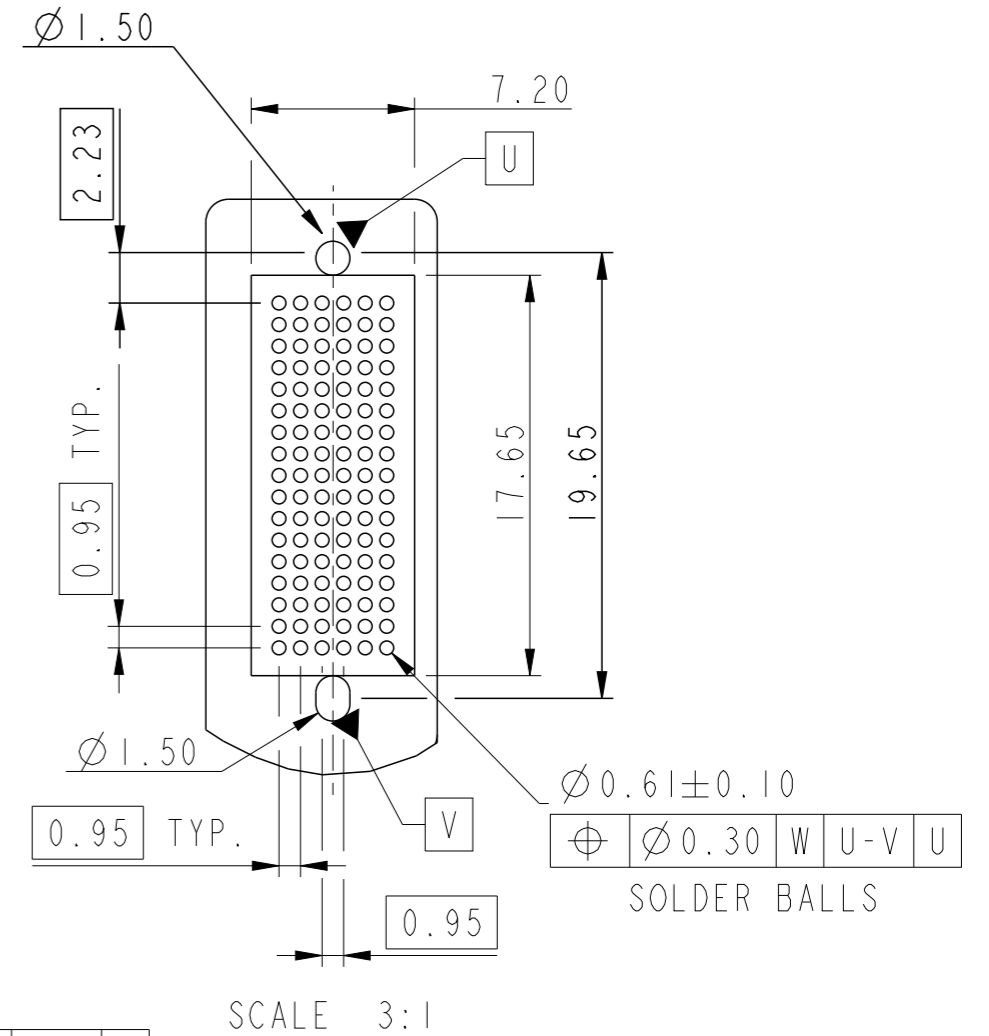
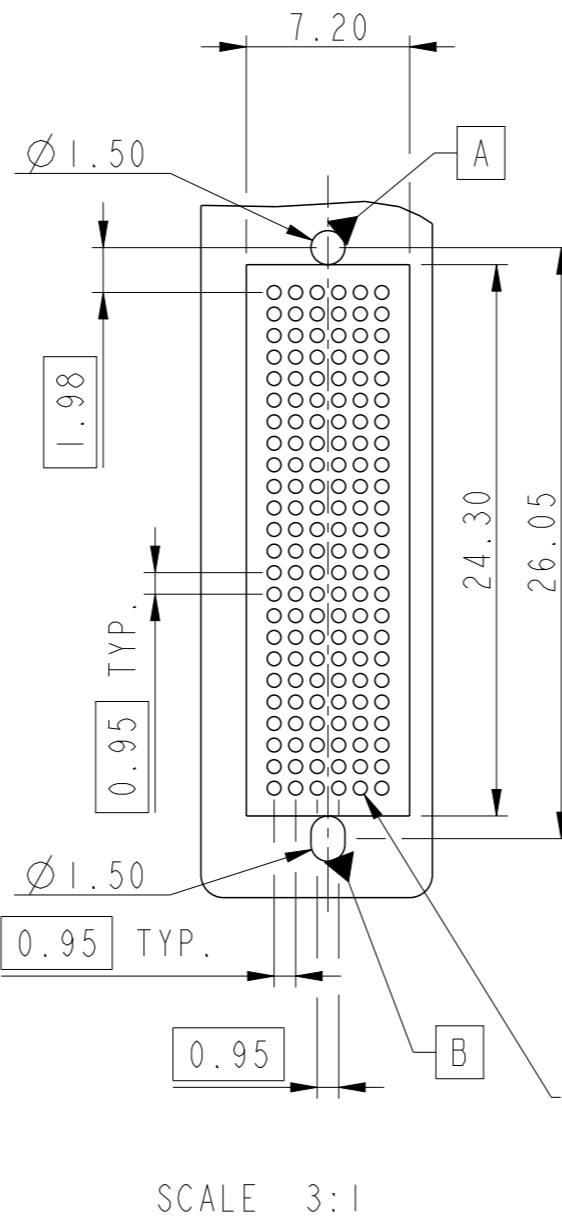
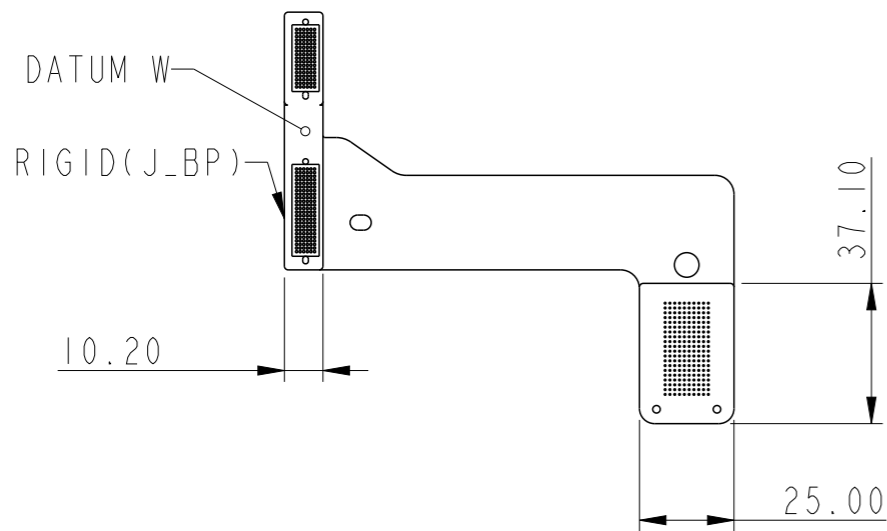
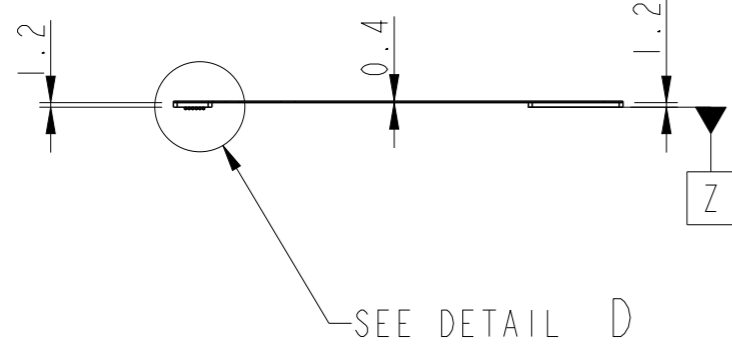
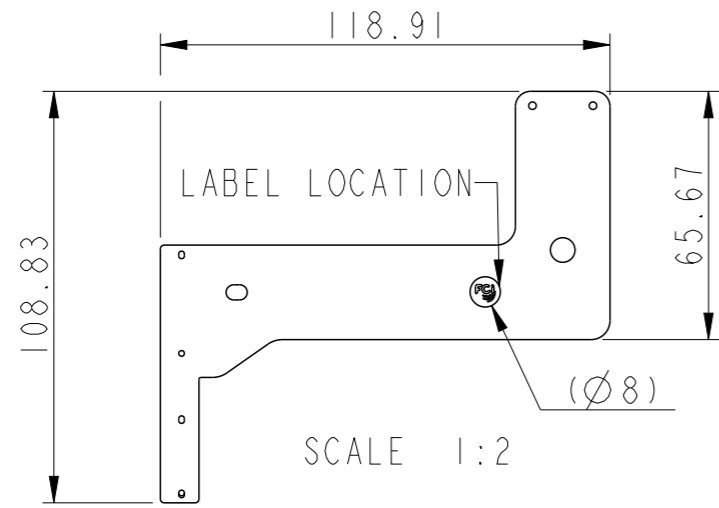


|                                       |            |   |                |                        |                |               |           |                |       |     |   |
|---------------------------------------|------------|---|----------------|------------------------|----------------|---------------|-----------|----------------|-------|-----|---|
| spec ref                              | -          | dr  | Zhen Luo       | 2016/08/18             | projection     | MM            | size      | A3             | scale | 1:1 |   |
| tolerance std                         | ASME Y14.5 | eng   | Michael Song   | 2016/12/07             |                |               | ecn no    | ELX-DG-25561-1 |       |     |   |
| TOLERANCES UNLESS OTHERWISE SPECIFIED |            | chr   | Heaven Cen     | 2016/12/07             |                |               | rel level | Released       |       |     |   |
| surface                               | linear     | appr  | Pei-Ming Zheng | 2016/12/07             | product family | -             | dwg no    | 10129553       |       | rev | B |
| ASME Y14.5                            | angular    | <b>Amphenol FCI</b><br>title Flex Cable BGA Assembly<br>Brawn<br>cat. no. - |                | Product - Customer Drw |                | sheet 5 of 11 |           |                |       |     |   |

Amphenol FCI

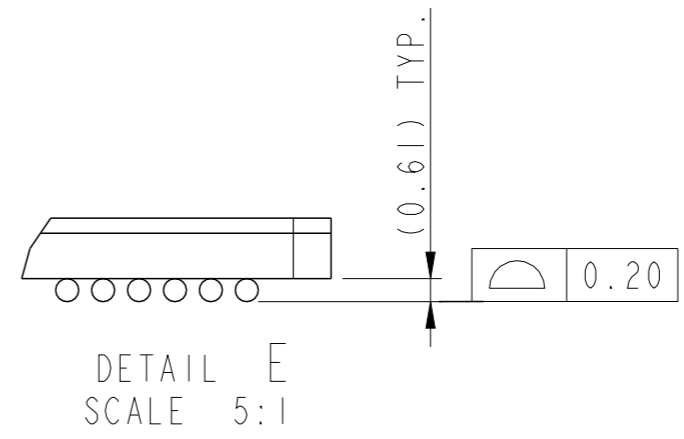
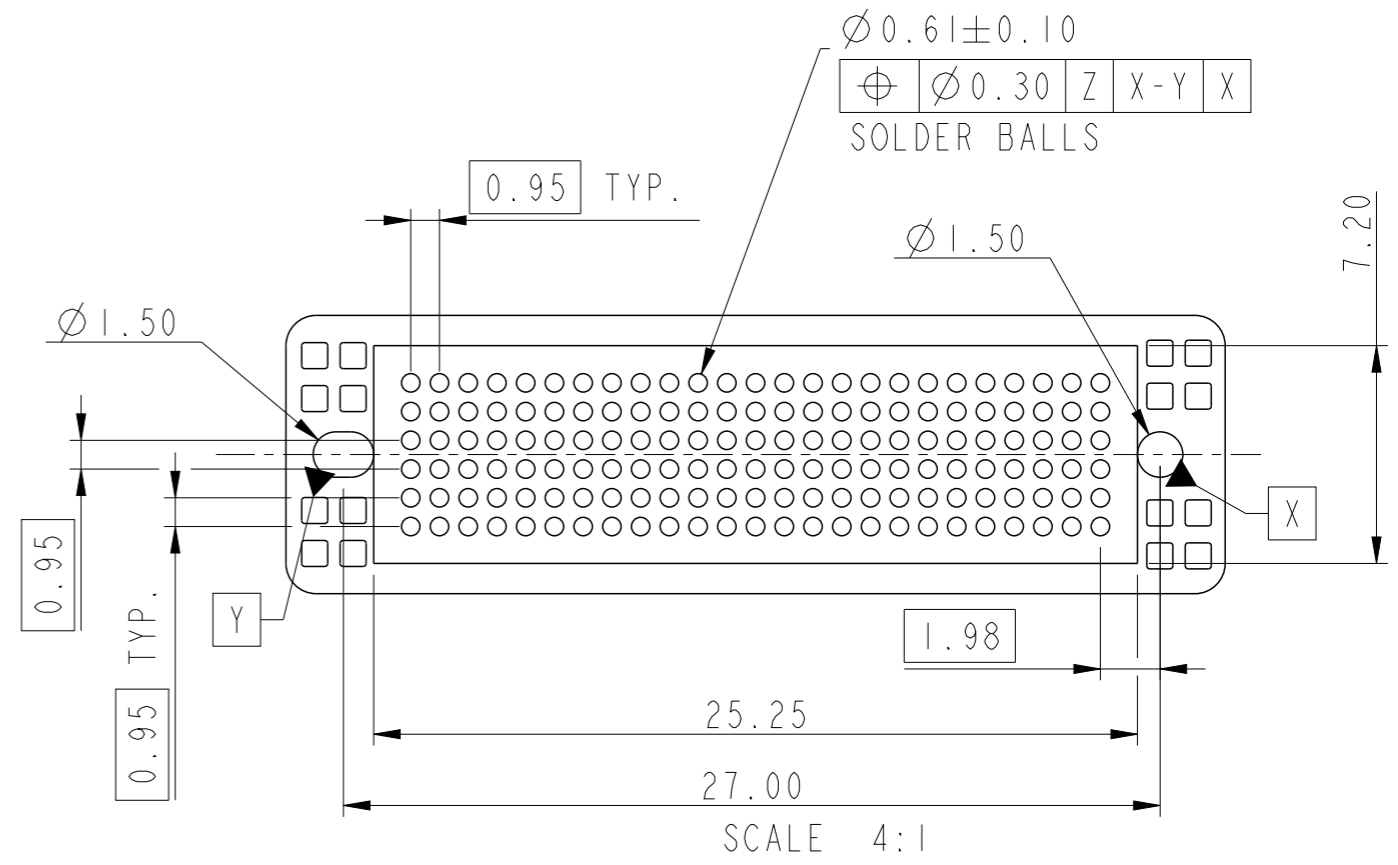
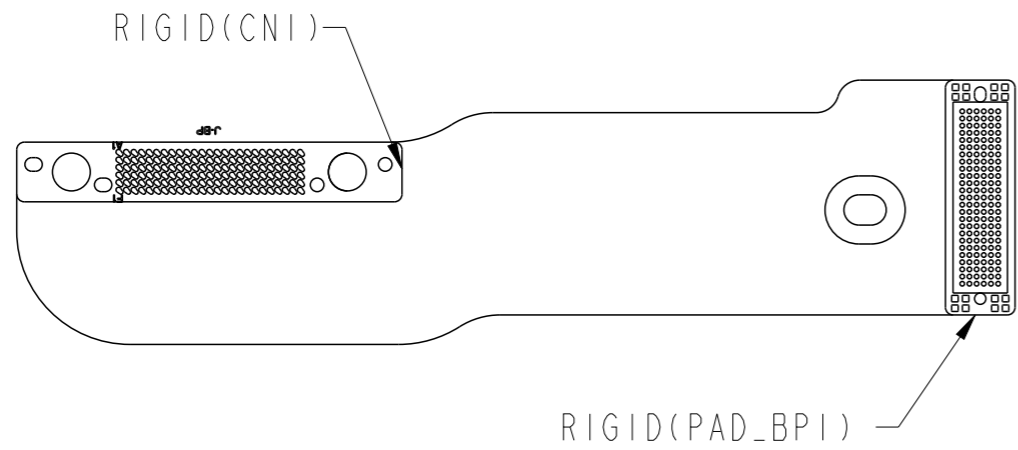
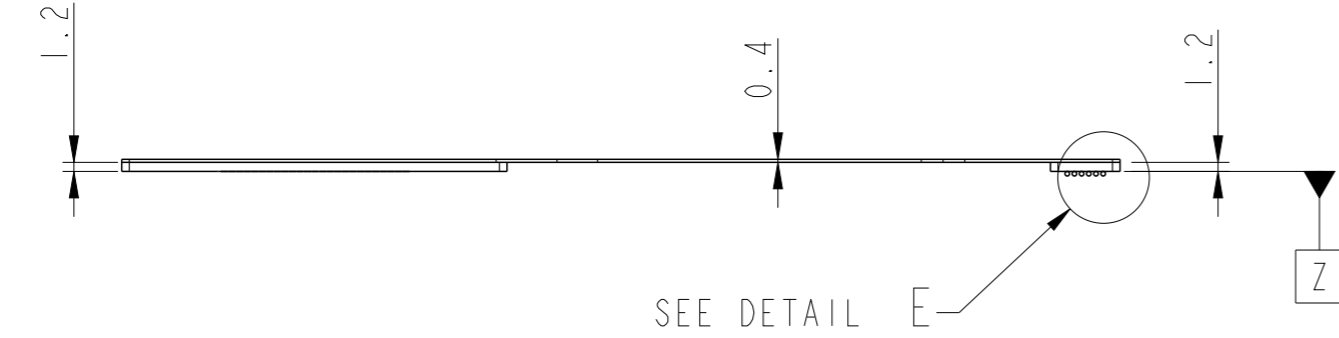
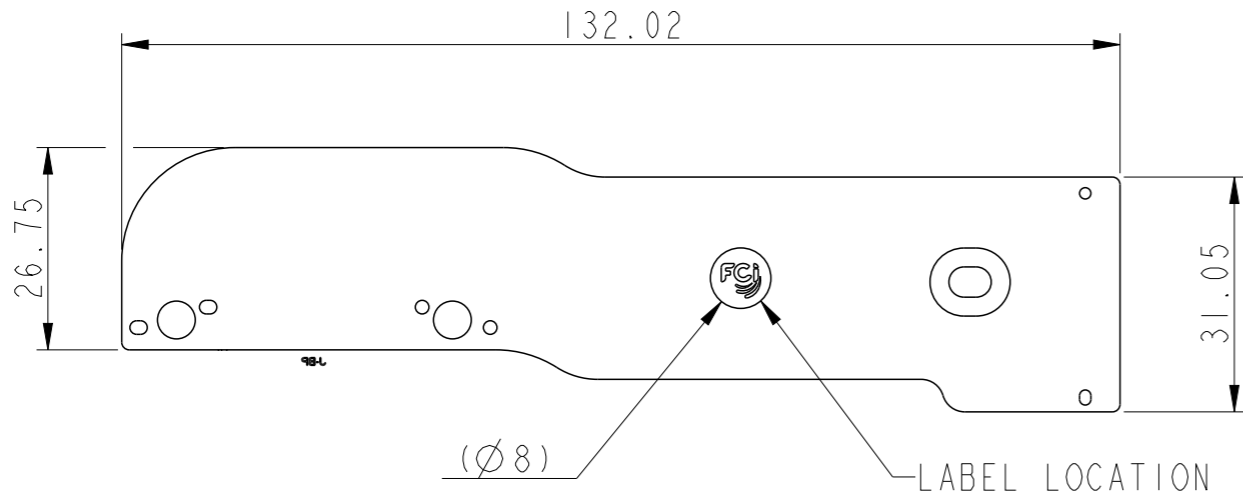
© 2016 AFCI

| Product P/N        | Wistron P/N    | BGA Array Pattern |
|--------------------|----------------|-------------------|
| 10129553-14428TxLF | 550.00504.0011 | 6X24,6X17         |
| 10129553-14428MxLF | 550.00504.0001 |                   |
| 10129553-14428WxLF | 550.00504.0021 |                   |



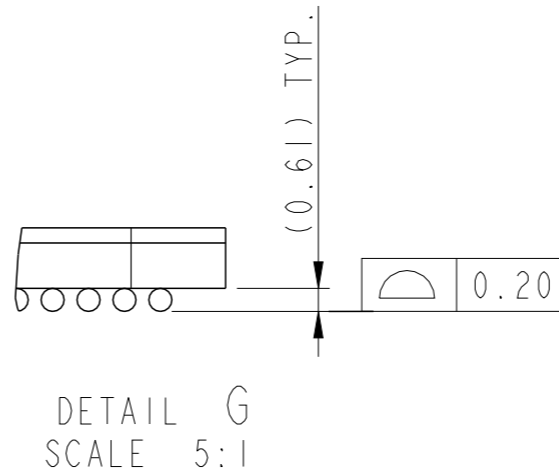
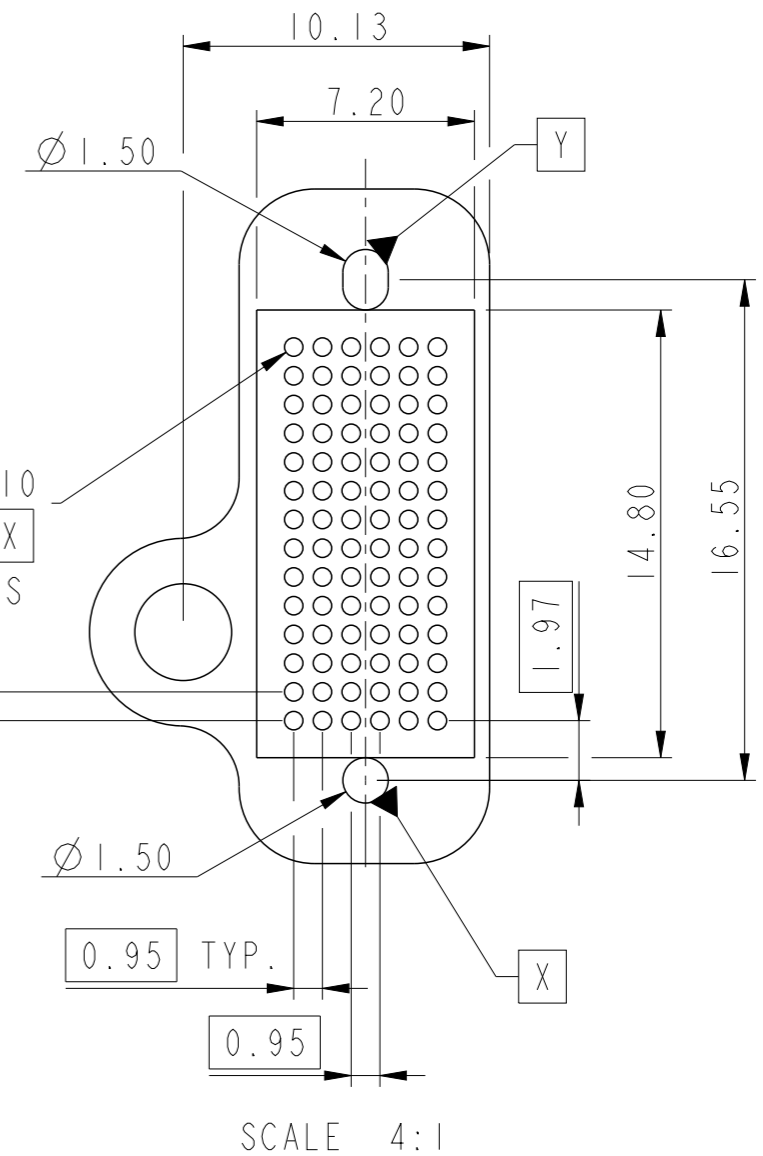
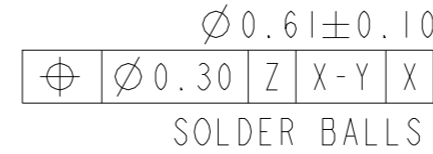
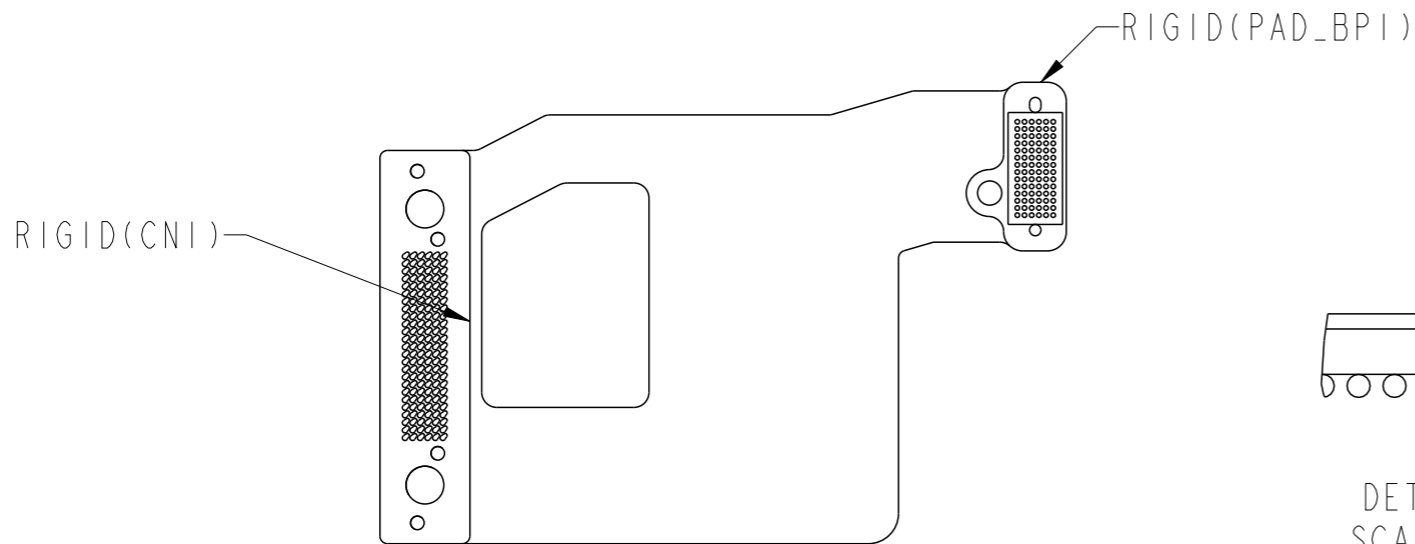
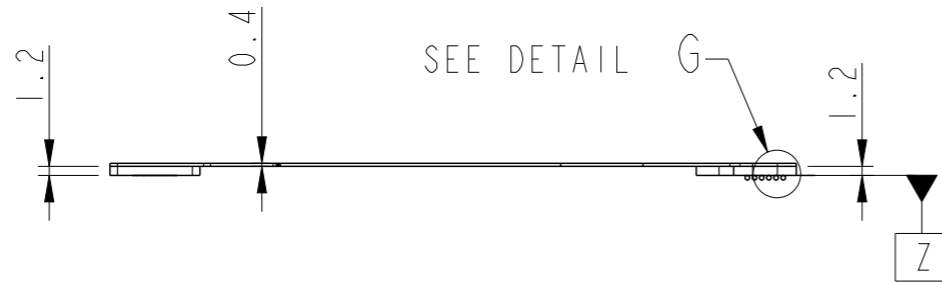
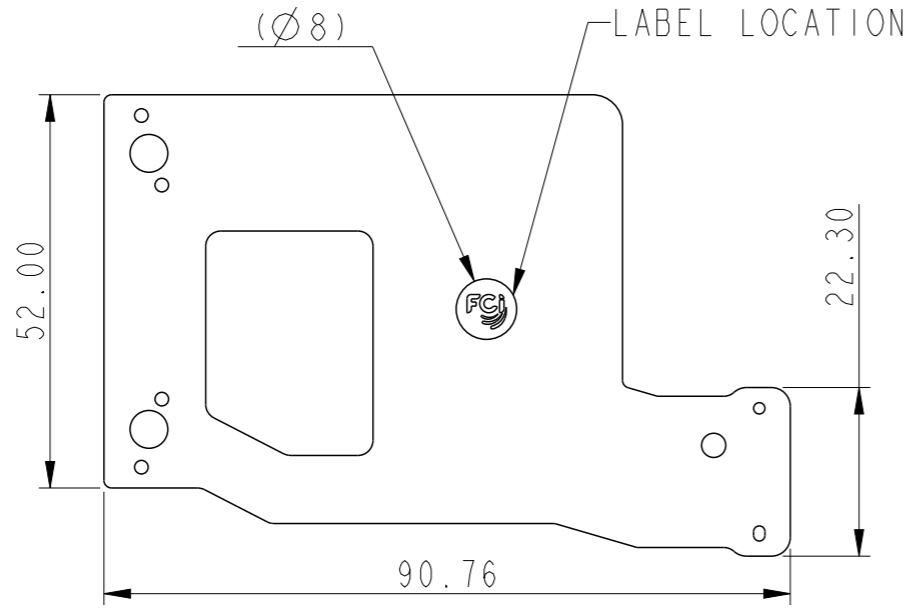
|                                       |            |       |              |                     |                         |                        |                |                    |           |          |
|---------------------------------------|------------|-------|--------------|---------------------|-------------------------|------------------------|----------------|--------------------|-----------|----------|
| spec ref                              | -          | dr    | Zhen Luo     | 2016/08/18          | projection              | MM                     | size           | A3                 | scale     | 1:1      |
| tolerance std                         | ASME Y14.5 | eng   | Michael Song | 2016/12/07          |                         |                        | ecn no         | ELX-DG-25561-1     |           |          |
| TOLERANCES UNLESS OTHERWISE SPECIFIED |            | chr   | Heaven Cen   | 2016/12/07          |                         |                        | product family | -                  | rel level | Released |
| surface                               | linear     | 0.X   | ±0.30        | <b>Amphenol FCI</b> | Flex Cable BGA Assembly |                        |                | dwg no<br>10129553 | rev<br>B  |          |
|                                       |            | 0.XX  | ±0.20        |                     |                         |                        |                |                    |           |          |
|                                       |            | 0.XXX | ±0.10        |                     |                         |                        |                |                    |           |          |
| ASME Y14.5                            | angular    | 0°    | ±2°          | cat. no.            | -                       | Product - Customer Drw | sheet 6 of 11  |                    |           |          |

| Product P/N        | Wistron P/N    | BGA Array Pattern |
|--------------------|----------------|-------------------|
| 10129553-14429TxLF | 550.00503.0031 | 6X25              |
| 10129553-14429MxLF | 550.00503.0001 |                   |
| 10129553-14429WxLF | 550.00503.0021 |                   |



|                                       |            |   |                |            |                |      |           |                |       |   |   |                        |               |
|---------------------------------------|------------|---|----------------|------------|----------------|------|-----------|----------------|-------|---|---|------------------------|---------------|
| spec ref                              | -          | dr  | Zhen Luo       | 2016/08/18 | projection     | MM   | size      | A3             | scale | 1:1   |   |                        |               |
| tolerance std                         | ASME Y14.5 | eng   | Michael Song   | 2016/12/07 |                |      | ecn no    | ELX-DG-25561-1 |       |   |   |                        |               |
| TOLERANCES UNLESS OTHERWISE SPECIFIED |            | chr   | Heaven Cen     | 2016/12/07 |                |      | rel level | Released       |       |   |   |                        |               |
| surface                               | linear     | appr  | Pei-Ming Zheng | 2016/12/07 | product family | -    | dwg no    | 10129553       |       | rev   | B |                        |               |
| ASME Y14.5                            | angular    | <table border="1"> <tr> <td>0.X</td> <td>±0.30</td> </tr> <tr> <td>0.XX</td> <td>±0.20</td> </tr> <tr> <td>0.XXX</td> <td>±0.10</td> </tr> </table> |                | 0.X        | ±0.30          | 0.XX | ±0.20     | 0.XXX          | ±0.10 | <b>Amphenol FCI</b><br>title Flex Cable BGA Assembly<br>Brawn<br>cat. no. - |   | Product - Customer Drw | sheet 7 of 11 |
| 0.X                                   | ±0.30      |   |                |            |                |      |           |                |       |   |   |                        |               |
| 0.XX                                  | ±0.20      |   |                |            |                |      |           |                |       |   |   |                        |               |
| 0.XXX                                 | ±0.10      |   |                |            |                |      |           |                |       |   |   |                        |               |

| Product P/N        | Wistron P/N    | BGA Array Pattern |
|--------------------|----------------|-------------------|
| 10129553-14460TxLF | 550.0060D.0001 | 6X14              |
| 10129553-14460MxLF | 550.0060D.0011 |                   |
| 10129553-14460WxLF | 550.0060D.0021 |                   |



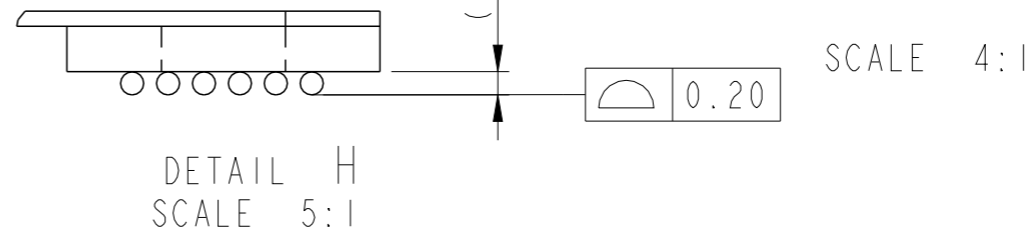
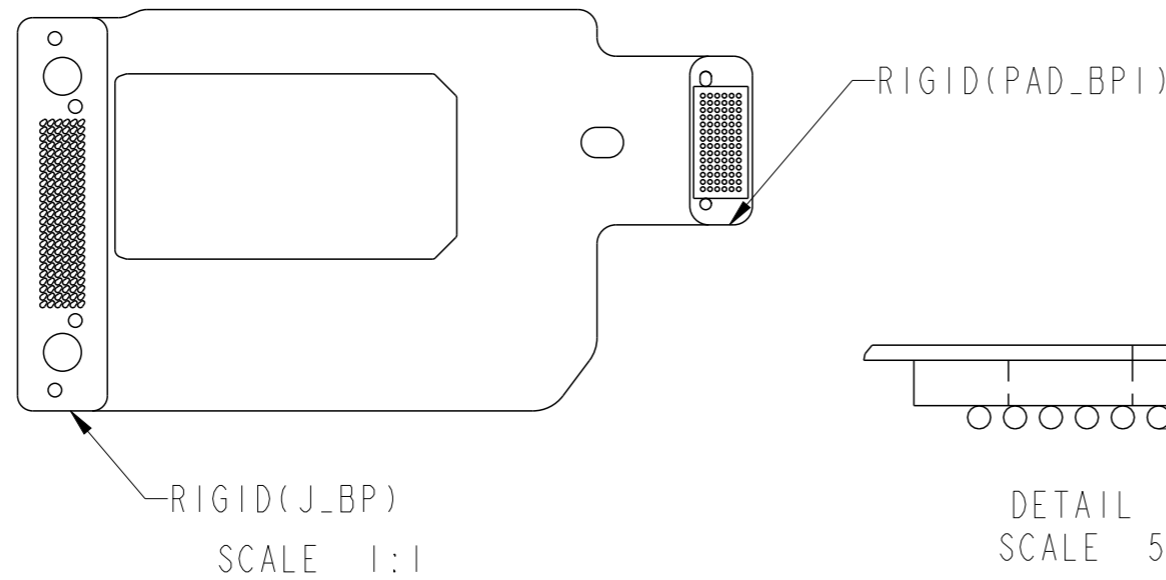
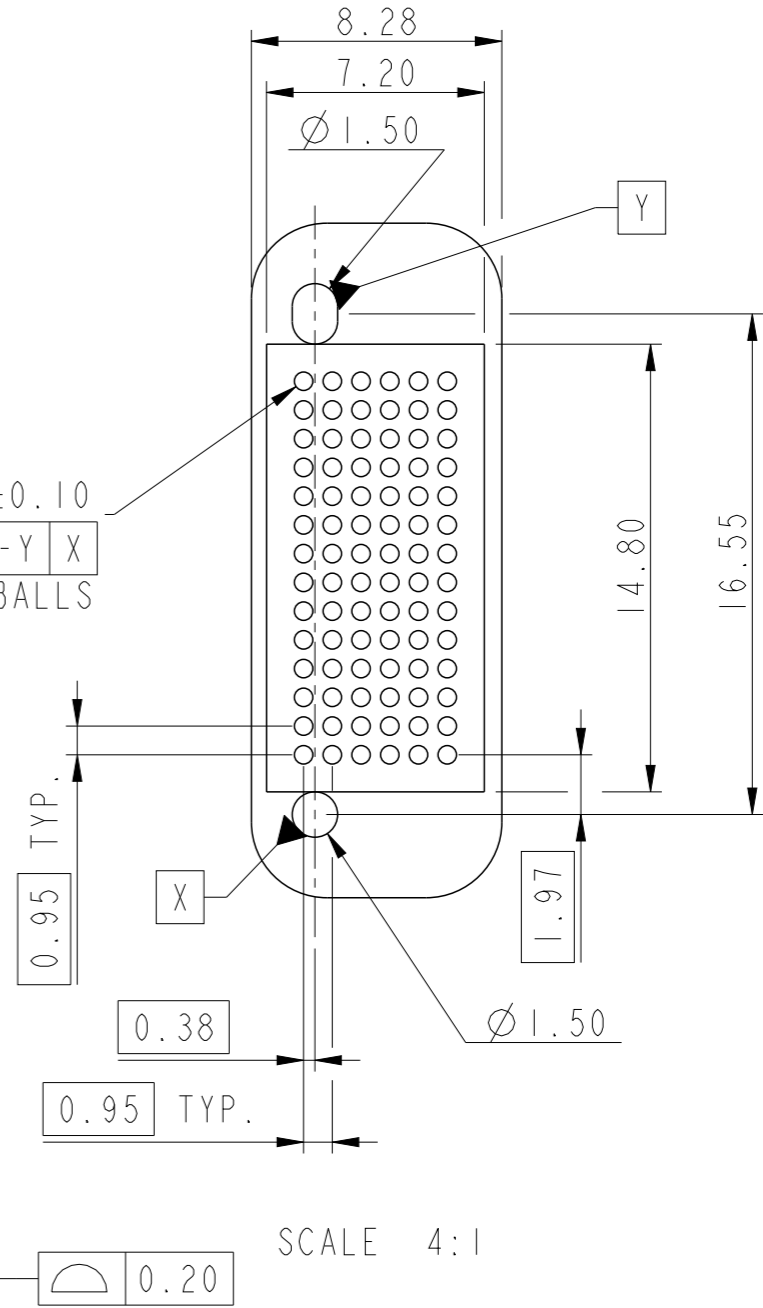
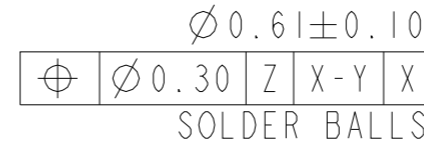
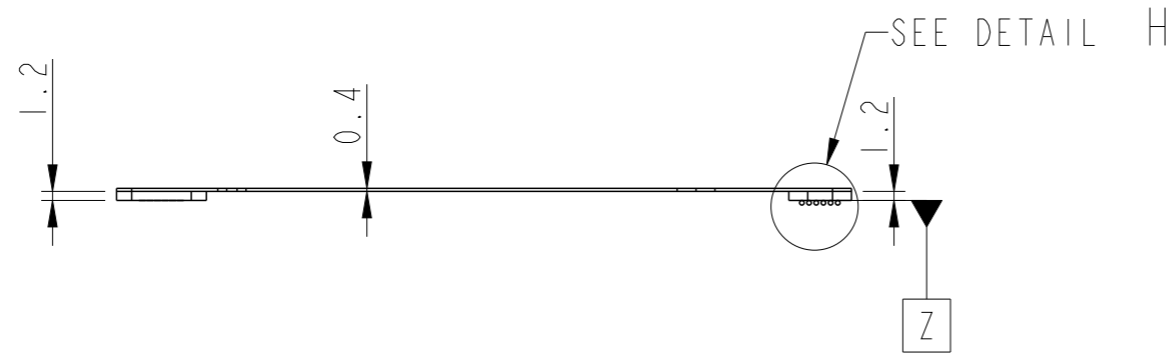
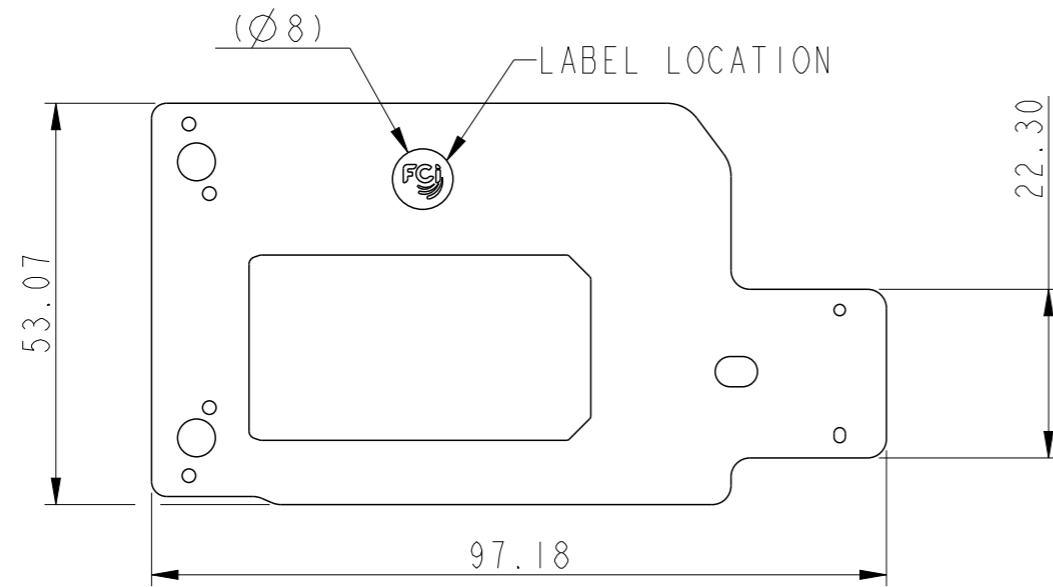
|                                       |            |      |                |              |                |                         |                        |                |          |     |
|---------------------------------------|------------|------|----------------|--------------|----------------|-------------------------|------------------------|----------------|----------|-----|
| spec ref                              | -          | dr   | Zhen Luo       | 2016/08/18   | projection     | MM                      | size                   | A3             | scale    | 1:1 |
| tolerance std                         | ASME Y14.5 | eng  | Michael Song   | 2016/12/07   |                |                         | ecn no                 | ELX-DG-25561-1 |          |     |
| TOLERANCES UNLESS OTHERWISE SPECIFIED |            | chr  | Heaven Cen     | 2016/12/07   |                |                         |                        | rel level      | Released |     |
| surface                               | linear     | appr | Pei-Ming Zheng | 2016/12/07   | product family | -                       | rel level              | Released       |          |     |
| ASME Y14.5                            | angular    | 0°   | ±2°            | Amphenol FCI | title          | Flex Cable BGA Assembly |                        | dwg no         | 10129553 |     |
|                                       |            |      |                |              | author         | Brawn                   |                        | rev            | B        |     |
|                                       |            |      |                |              | cat. no.       | -                       | Product - Customer Drw | sheet 8 of 11  |          |     |

Amphenol FCI

© 2016 AFCI



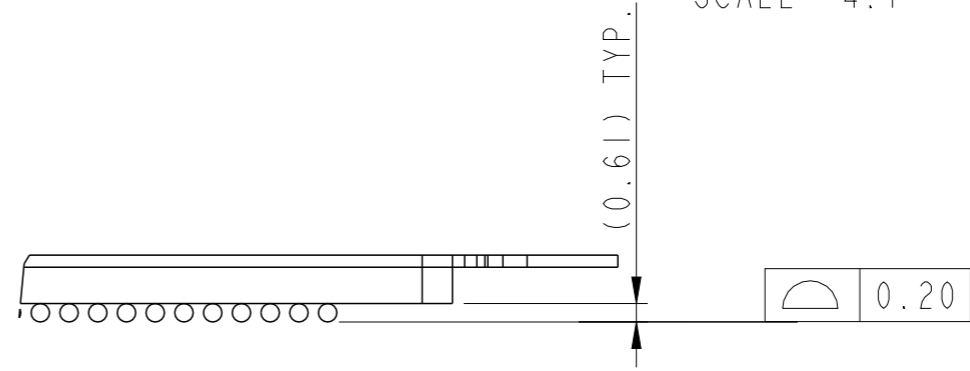
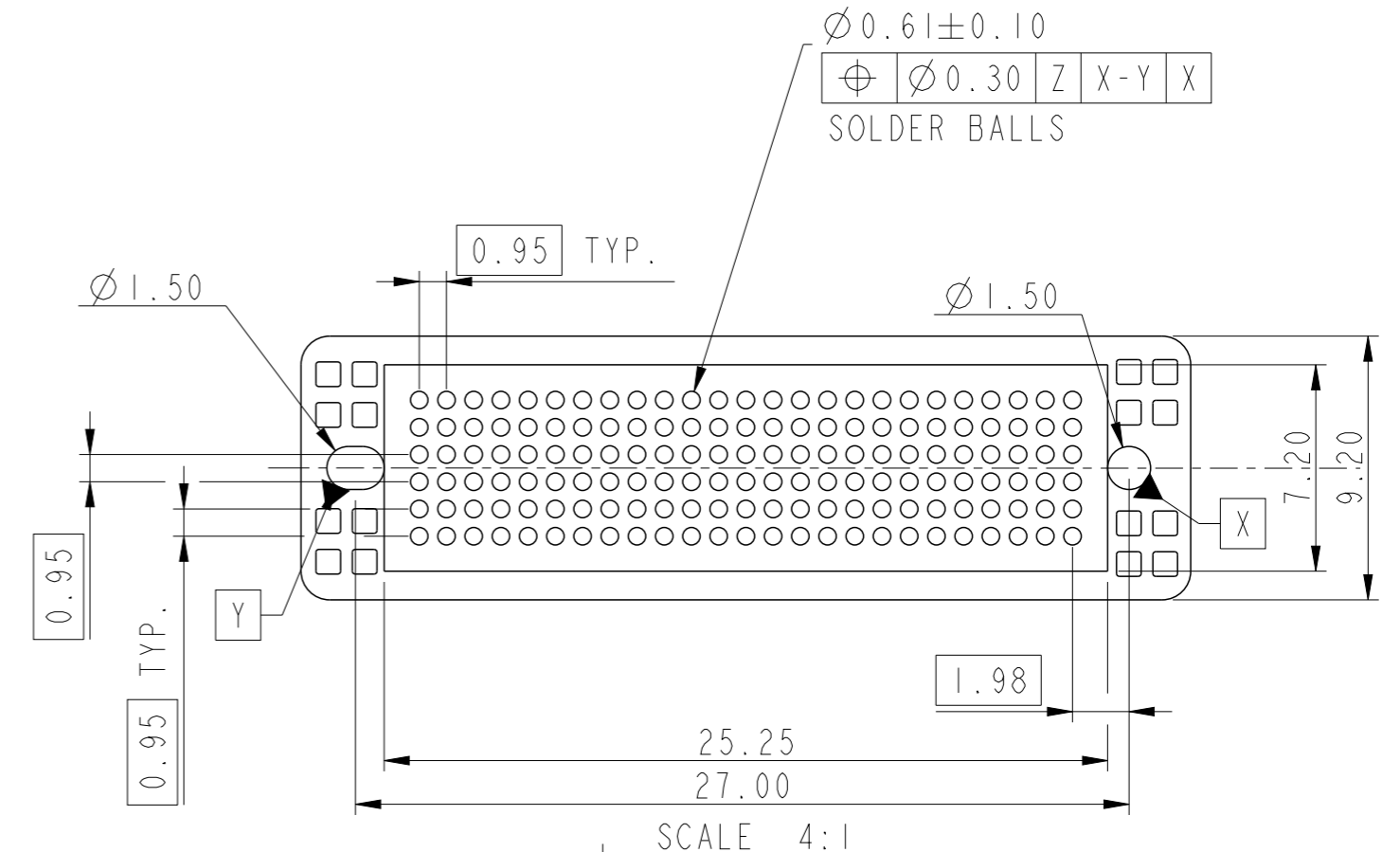
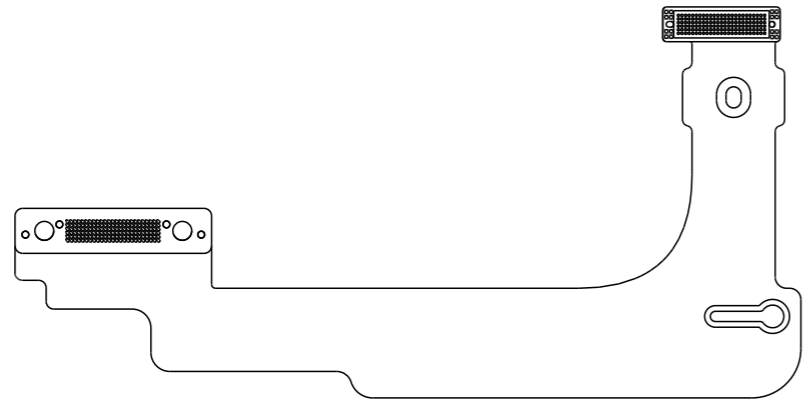
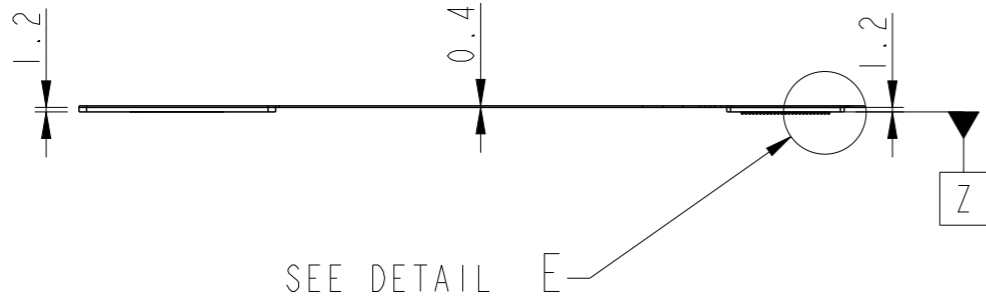
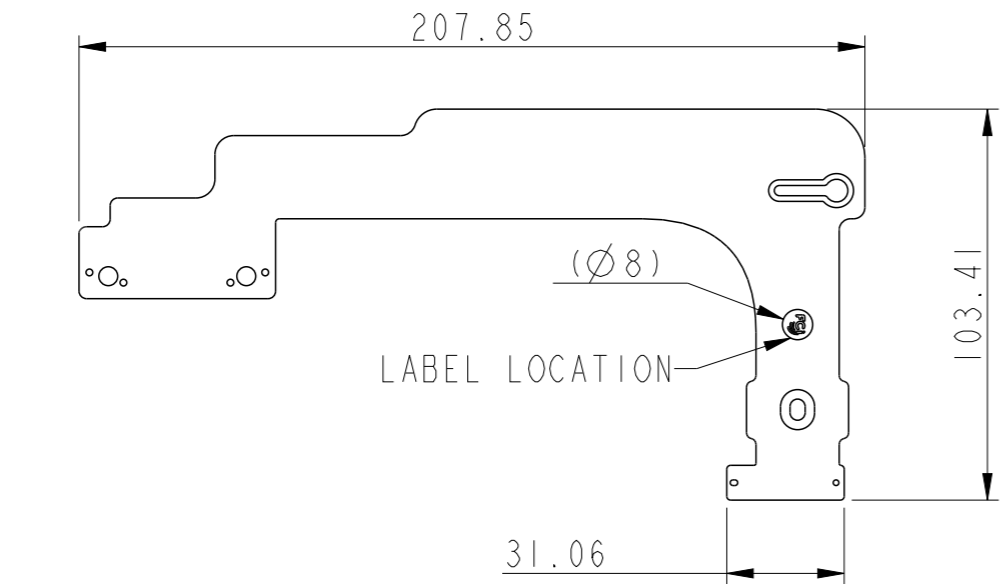
| Product P/N        | Wistron P/N    | BGA Array Pattern |
|--------------------|----------------|-------------------|
| 10129553-1446ITxLF | 550.00505.0011 | 6X14              |
| 10129553-1446IMxLF | 550.00502.0001 |                   |
| 10129553-1446IWxLF | 550.00505.0021 |                   |



SCALE 4:1

|                                       |            |       |              |                     |  |                        |                    |                |           |          |
|---------------------------------------|------------|-------|--------------|---------------------|--|------------------------|--------------------|----------------|-----------|----------|
| spec ref                              | -          | dr    | Zhen Luo     | 2016/08/18          | projection                             | MM                     | size               | A3             | scale     | 1:1      |
| tolerance std                         | ASME Y14.5 | eng   | Michael Song | 2016/12/07          |  |                        | ecn no             | ELX-DG-25561-1 | rel level | Released |
| TOLERANCES UNLESS OTHERWISE SPECIFIED |            | chr   | Heaven Cen   | 2016/12/07          |  |                        |                    |                |           |          |
| surface                               | linear     | 0.X   | ±0.30        | <b>Amphenol FCI</b> | title Flex Cable BGA Assembly<br>Brawn |                        | dwg no<br>10129553 | rev<br>B       |           |          |
|                                       |            | 0.XX  | ±0.20        |                     |  |                        |                    |                |           |          |
|                                       |            | 0.XXX | ±0.10        |                     |  |                        |                    |                |           |          |
| ASME Y14.5                            | angular    | 0°    | ±2°          | cat. no.            | -                                      | Product - Customer Drw | sheet 9 of 11      |                |           |          |

| Product P/N        | Wistron P/N    | BGA Array Pattern |
|--------------------|----------------|-------------------|
| 10129553-1453ITxLF | 550.00507.0011 | 6X25              |
| 10129553-1453IMxLF | 550.00507.0001 |                   |
| 10129553-1453IWxLF | 550.00507.0021 |                   |



DETAIL E  
SCALE 4:1

|                                       |            |      |              |                         |                         |    |                        |                |           |          |
|---------------------------------------|------------|------|--------------|-------------------------|-------------------------|----|------------------------|----------------|-----------|----------|
| spec ref                              | -          | dr   | Zhen Luo     | 2016/08/18              | projection              | MM | size                   | A3             | scale     | 1:2      |
| tolerance std                         | ASME Y14.5 | eng  | Michael Song | 2016/12/07              |                         |    | ecn no                 | ELX-DG-25561-1 |           |          |
| TOLERANCES UNLESS OTHERWISE SPECIFIED |            | chr  | Heaven Cen   | 2016/12/07              |                         |    | product family         | -              | rel level | Released |
| surface                               | linear     | 0.X  | ±0.30        | <b>Amphenol<br/>FCi</b> | Flex Cable BGA Assembly |    | dwg no<br>10129553     | rev<br>B       |           |          |
|                                       |            | 0.XX | ±0.20        |                         | Brawn                   |    |                        |                |           |          |
| ASME Y14.5                            | angular    | 0°   | ±2°          |                         | cat. no.                | -  | Product - Customer Drw | sheet 10 of 11 |           |          |

PRODUCT PART NUMBER

10129553-□□□□XXLF

BASE NUMBER

- LEAD FREE
- PCB DESIGN:  
O: STANDARD  
I TO N: NEW STACKUP
- SUPPLIER:  
M: Multex  
T: TTM  
W: WuZhu
- CODE (SEE TABLE)

| CODE  | Flex Cable code<br>In Wistron |
|-------|-------------------------------|
| 14430 | 14430                         |
| 14426 | 14426                         |
| 14425 | 14425                         |
| 14423 | 14423                         |
| 14424 | 14424                         |
| 14428 | 14428                         |
| 14429 | 14429                         |
| 14460 | 14460                         |
| 14461 | 14461                         |
| 14531 | 14531                         |

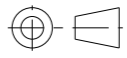
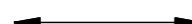

NOTES:

1. MATERIAL:  
FLEX CABLE  
SOLDER BALL: LEAD FREE 96.5Sn/3Ag/0.5Cu  
VENDOR: ALPHA
2. SOLDER BALLS WILL NOT BE PERFECT SPHERICAL SHAPE DUE TO REFLOW ATTACHMENT.
3. PRODUCT SPECIFICATION: GS-12-1183.
4. APPLICATION SPECIFICATION: GS-20-0391.
5. PACKAGE SPECIFICATION: GS-14-2365.
6. PRODUCT MEET EUROPEAN UNION DIRECTIVES AND OTHER COUNTRY REGULATIONS DESCRIBED IN GS-22-08.
7. RATED VOLTAGE L80V-LESS THAN 80V
8. SHEAR FORCE OF SOLDER BALL: 800GF MIN.
9. APPEARANCE STANDARD FOLLOWS IPC 6013 CLASS2 CRITERIA AND DELL PCB 10207.
10. MSL LEVEL: MULTEK: 5 TTM: 5A.
11. CONTACT RESISTANCE:  
MULTEK: 10 OHM TTM: 10 OHM
12. INSULATION RESISTANCE:  
MULTEK: 10 MEGAOHM TTM: 10 MEGAOHM
13. PCB WARPAGE CRITERIA:  
0.7% OF PCB LENGTH MAX. (BEFORE REFLOW)
14. IMPEDANCE REQUIREMENT.
 

|  |   |   |
|--|---|---|
| 100 +/-10 OHMS<br>RISE TIME=70PS<br>(20% TO 80%) | 85 +/-10 OHMS<br>RISE TIME=70PS<br>(20% TO 80%) | 50 +/-5 OHMS<br>RISE TIME=100PS<br>(10% TO 90%)     |
| SAS AND PCIE PAD<br>(DIFFERENTIAL PAIR)          | SATA PAD<br>(DIFFERENTIAL PAIR)                 | SIDE BAND PAD<br>(POWER, GND, SIDE<br>BAND SIGNALS) |
15. DIMENSION WITH THE "( )" SYMBOL IS THE REFERENCE DIMENSION.

Amphenol  
FCi

© 2016 AFCI

|                                       |  |        |                |            |   |   |                       |   |       |                         |  |        |  |          |  |     |   |
|---------------------------------------|--|--------|----------------|------------|---|---|-----------------------|---|-------|-------------------------|--|--------|--|----------|--|-----|---|
| spec ref                              | -  | dr     | Zhen Luo       | 2016/08/18 | projection  | MM  | size                  | A3  | scale | 1:1                     |  |        |  |          |  |     |   |
| tolerance std                         | ASME Y14.5   | eng    | Michael Song   | 2016/12/07 |  |  | ecn no ELX-DG-25561-1 |   |       |                         |  |        |  |          |  |     |   |
| TOLERANCES UNLESS OTHERWISE SPECIFIED |  | chr    | Heaven Cen     | 2016/12/07 |   |   | rel level Released    |   |       |                         |  |        |  |          |  |     |   |
| surface                               | linear   | appr   | Pei-Ming Zheng | 2016/12/07 | product family  |   | -                     |   | -     |                         |  |        |  |          |  |     |   |
|                                       | <table border="1"> <tr><td>0.X</td><td>±0.30</td></tr> <tr><td>0.XX</td><td>±0.20</td></tr> <tr><td>0.XXX</td><td>±0.10</td></tr> </table> | 0.X    | ±0.30          | 0.XX       | ±0.20   | 0.XXX   | ±0.10                 |  |       | Flex Cable BGA Assembly |  | dwg no |  | 10129553 |  | rev | B |
| 0.X                                   | ±0.30  |        |                |            |   |   |                       |   |       |                         |  |        |  |          |  |     |   |
| 0.XX                                  | ±0.20  |        |                |            |   |   |                       |   |       |                         |  |        |  |          |  |     |   |
| 0.XXX                                 | ±0.10  |        |                |            |   |   |                       |   |       |                         |  |        |  |          |  |     |   |
| ASME Y14.5                            | angular  | 0° ±2° |                | cat. no.   |   | -   |                       | Product - Customer Drw  |       | sheet 11 of 11          |  |        |  |          |  |     |   |



Компания «ЭлектроПласт» предлагает заключение долгосрочных отношений при поставках импортных электронных компонентов на взаимовыгодных условиях!

Наши преимущества:

- Оперативные поставки широкого спектра электронных компонентов отечественного и импортного производства напрямую от производителей и с крупнейших мировых складов;
- Поставка более 17-ти миллионов наименований электронных компонентов;
- Поставка сложных, дефицитных, либо снятых с производства позиций;
- Оперативные сроки поставки под заказ (от 5 рабочих дней);
- Экспресс доставка в любую точку России;
- Техническая поддержка проекта, помощь в подборе аналогов, поставка прототипов;
- Система менеджмента качества сертифицирована по Международному стандарту ISO 9001;
- Лицензия ФСБ на осуществление работ с использованием сведений, составляющих государственную тайну;
- Поставка специализированных компонентов (Xilinx, Altera, Analog Devices, Intersil, Interpoint, Microsemi, Aeroflex, Peregrine, Syfer, Eurofarad, Texas Instrument, Miteq, Cobham, E2V, MA-COM, Hittite, Mini-Circuits, General Dynamics и др.);

Помимо этого, одним из направлений компании «ЭлектроПласт» является направление «Источники питания». Мы предлагаем Вам помощь Конструкторского отдела:

- Подбор оптимального решения, техническое обоснование при выборе компонента;
- Подбор аналогов;
- Консультации по применению компонента;
- Поставка образцов и прототипов;
- Техническая поддержка проекта;
- Защита от снятия компонента с производства.



#### Как с нами связаться

**Телефон:** 8 (812) 309 58 32 (многоканальный)

**Факс:** 8 (812) 320-02-42

**Электронная почта:** [org@eplast1.ru](mailto:org@eplast1.ru)

**Адрес:** 198099, г. Санкт-Петербург, ул. Калинина, дом 2, корпус 4, литера А.