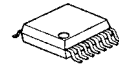


2-CHANNEL ELECTRONIC VOLUME

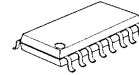
■ GENERAL DESCRIPTION

NJW1159 is a two channel electronic volume IC. It is included output buffer amplifier and also resistor output terminal for using external amplifier to customize for your application. These functions are controlled by three-wired serial data. And the chip selector is available for using four chips on same serial bus line. It's available for two-channel stereo and or multi-channel audio volume.

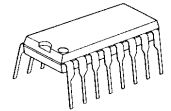
■ PACKAGE OUTLINE



NJW1159V



NJW1159M

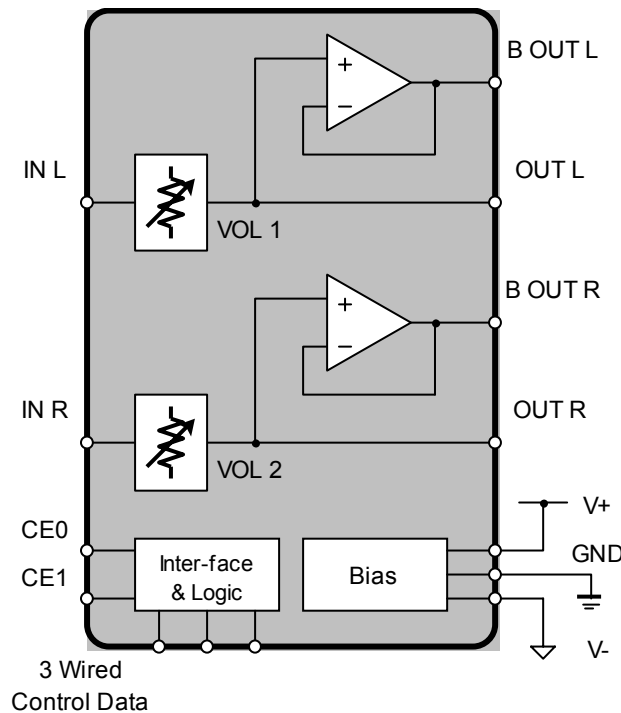


NJW1159D

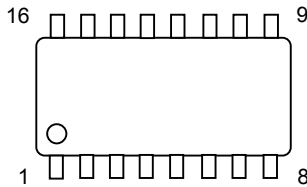
■ FEATURES

- Operating Voltage ± 4.5 to ± 7.5 V
- Three-Wired Serial Data Control
- Chip Selector available for using four chips on same serial bus line.
- Volume 0 to -95 dB/1dBstep, MUTE
- Bi-CMOS Technology
- Package Outline SSOP16, DMP16, DIP16

■ BLOCK DIAGRAM



■ PIN ASSIGNMENT



No.	Symbol	Function
1	OUTL	Lch External Opamp Input Connection Terminal
2	BOU TL	Lch Output
3	VDD_OUT	Internal VDD Noise Rejection Capacitor Terminal
4	BOU TR	Rch Output
5	OU TR	Rch External Opamp Input Connection Terminal
6	VSS_OUT	Internal VSS Noise Rejection Capacitor Terminal
7	V+	+ Power supply voltage input
8	V-	- Power supply voltage input
9	INL	Lch Input
10	INR	Rch Input
11	CE0	Chip Enable Terminal 0
12	CE1	Chip Enable Terminal 1
13	DATA	Control data signal input
14	CLOCK	Clock signal input
15	LACTH	Latch signal input
16	GND	Ground

■ ABSOLUTE MAXIMUM RATING (Ta=25°C)

PARAMETER	SYMBOL	RATING	UNIT
Power Supply Voltage	V ⁺ /V ⁻	+8/-8	V
Maximum Input Voltage	V _{IM}	V ⁺ /V ⁻ (*)	V
Power Dissipation	P _D	SSOP16 ; 300 DMP16 ; 300 DIP16 ; 500	mW
Operating Temperature Range	Topr	-40 to +85	°C
Storage Temperature Range	Tstg	-40 to +125	°C

(*) For the maximum input voltage less than V⁺/V⁻

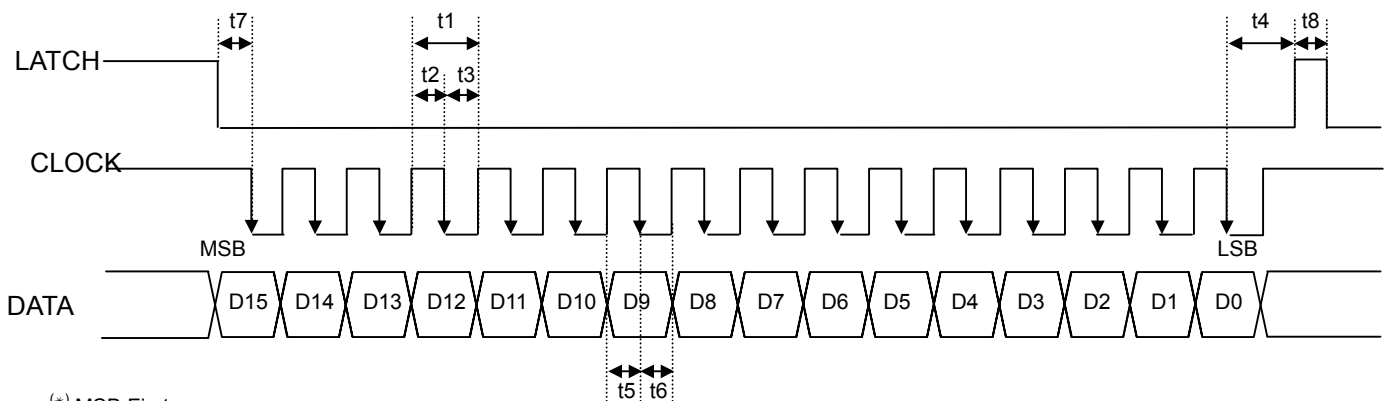
■ ELECTRICAL CHARACTERISTICS (Ta=25°C, V⁺/V⁻ = +7V/-7V, R_L=47kΩ)

PARAMETER	SYMBOL	TEST CONDITION	MIN.	TYP.	MAX.	UNIT
◆ Power Supply						
Operating Voltage 1	V+		4.5	7.0	7.5	V
Operating Voltage 2	V-		-7.5	-7.0	-4.5	V
Supply Current 1	I _{CC}	No signal	-	4.5	9.0	mA
Supply Current 2	I _{EE}	No signal	-	4.5	9.0	mA
◆ Input/Output Characteristics (BOU TL : 2pin, BOU TR : 4pin)						
Maximum Output Voltage	V _{OM}	f=1kHz, THD=1% Volume=0dB	3.0	4.0	-	V _{rms}
Voltage Gain	G _V	V _{IN} =1V _{rms} , f=1kHz Volume=0dB	-0.5	0	0.5	dB
Channel Gain Balance 1	ΔG _{V1}	V _{IN} =1V _{rms} , f=1kHz Volume=0dB	-0.5	0	0.5	dB
Channel Gain Balance 2	ΔG _{V2}	V _{IN} =1V _{rms} , f=1kHz Volume=-60dB	-1.0	0	1.0	dB
Maximum Attenuation	A _{TT}	V _{IN} =1V _{rms} , f=1kHz Volume=-95dB, A-weight	-	-95	-	dB
Mute Level	Mute	V _{IN} =1V _{rms} , f=1kHz Volume=Mute, A-weight	-	-110	-	dB
Output Noise Voltage	V _{NO}	Volume=0dB, R _g =0Ω, A-weight	-	-105 (5.6μ)	-95 (17.8μ)	dBV (V _{rms})
Total Harmonic Distortion	THD	V _o =1V _{rms} , f=1kHz, Volume=0dB, BW=400-30kHz	-	0.005	0.05	%
Channel Separation	CS	V _o =1V _{rms} , f=1kHz, A-weight Volume=0dB, R _g =0Ω	-	-100	-90	dB

■ ELECTRICAL CHARACTERISTICS (Ta=25°C, V+/V- = +7V/-7V)

PARAMETER	SYMBOL	TEST CONDITION	MIN.	TYP.	MAX.	UNIT
◆ Logic Control Characteristics						
High Level Input Voltage	V_{IH}	DATA, CLOCK, LATCH, CE0, CE1 Terminal Input	2.5	-	5.5	V
Low Level Input Voltage	V_{IL}	DATA, CLOCK, LATCH, CE0, CE1 Terminal Input	0	-	1.5	V

■ CONTROL DATA FORMAT



(*) MSB First

SYMBOL	PARAMETER	MIN	TYP	MAX	UNIT
t_1	CLOCK Clock Width	2	-	-	μsec
t_2	CLOCK Pulse Width (High)	0.8	-	-	μsec
t_3	CLOCK Pulse Width (Low)	0.8	-	-	μsec
t_4	LATCH Rise Hold Time	1.6	-	-	μsec
t_5	DATA Setup Time	0.8	-	-	μsec
t_6	DATA Hold Time	0.8	-	-	μsec
t_7	CLOCK Setup Time	0.8	-	-	μsec
t_8	LATCH High Pulse Width	1.6	-	-	μsec

■ TERMINAL DESCRIPTION

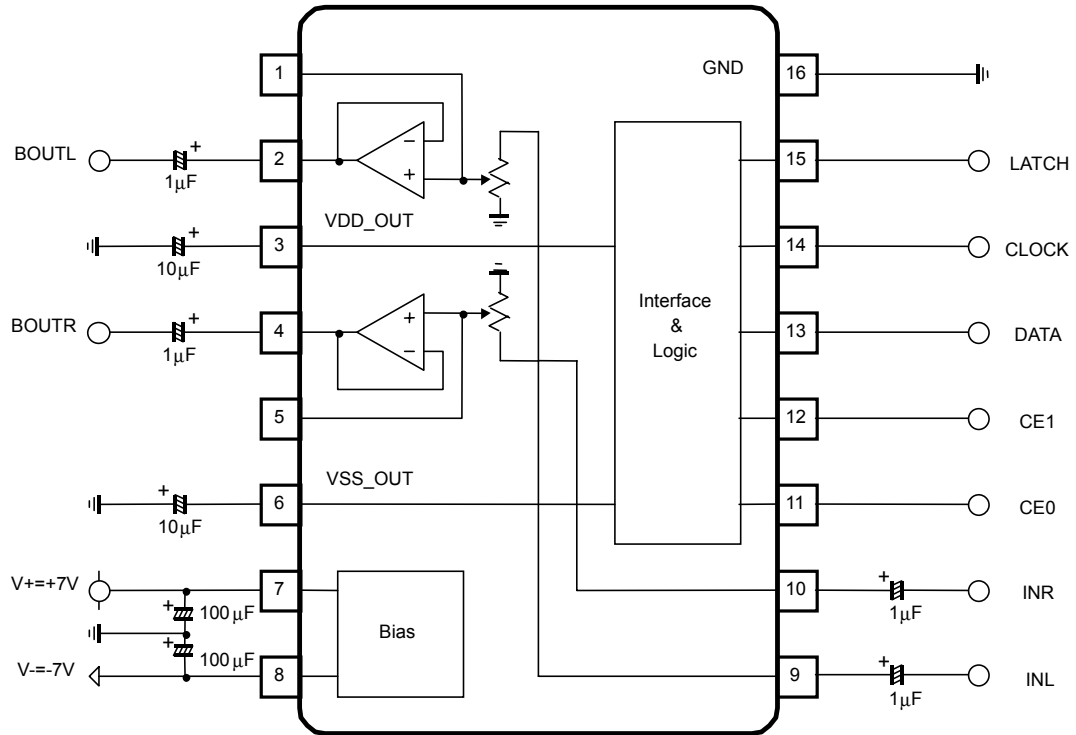
PIN NO.	SYMBOL	FUNCTION	EQUIVALENT CIRCUIT	TERMINAL DC VOLTAGE
3 6	VDD_OUT VSS_OUT	Internal VDD Noise Rejection Capacitor Terminal Internal VSS Noise Rejection Capacitor Terminal		2.5V (VDD_OUT) -2.5V (VSS_OUT)
1 5	OUTL OUTR	Lch External Opamp Input Connection Terminal Rch External Opamp Input Connection Terminal		0V 0V
2 4	BOU TL BOU TR	Lch Output Rch Output		0V 0V
7	V+	+Power Supply Voltage Input		V+

■ TERMINAL DESCRIPTION

PIN NO.	SYMBOL	FUNCTION	EQUIVALENT CIRCUIT	TERMINAL DC VOLTAGE
9 10	INL INR	Lch Input Rch Input		0V
11 12 13 14 15	CE0 CE1 DATA CLOCK LATCH	Chip Enable Terminal 0 Chip Enable Terminal 1 Control data signal input Clock signal input Latch signal input		0V
16	GND	Ground		0V

APPLICATION CIRCUIT

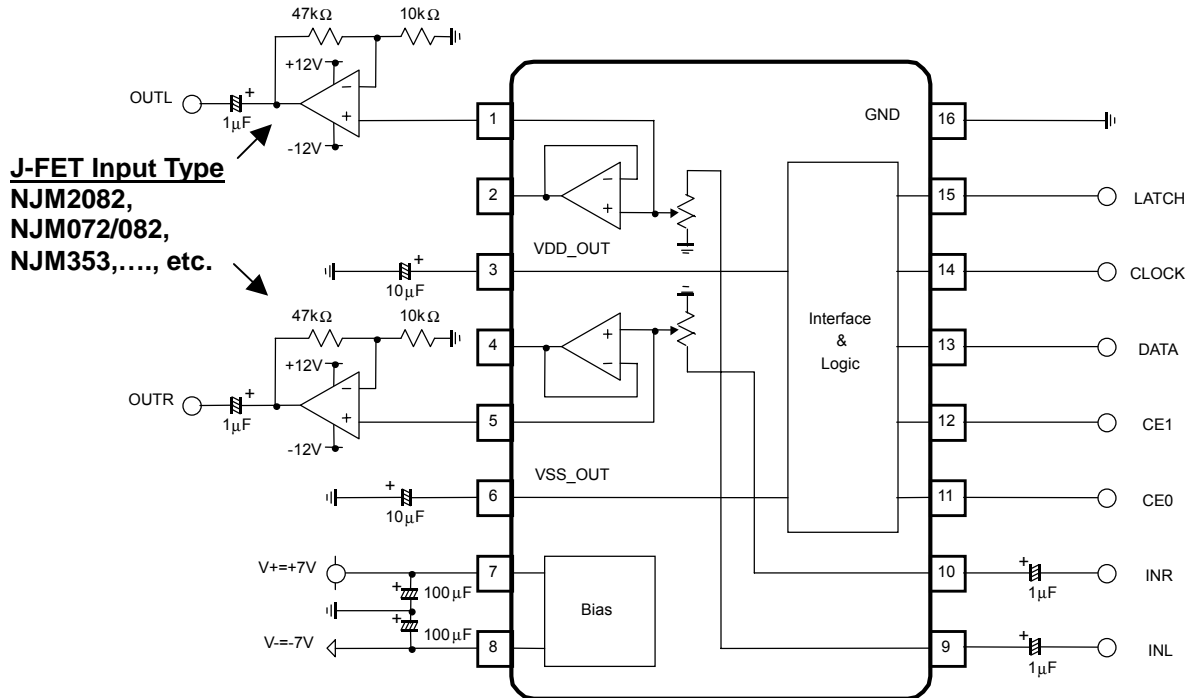
1. Internal Output Buffer Application



(*) DATA, CLOCK, LATCH are digital lines.
 Separate the DATA, CLOCK, LATCH lines and Analog signal terminals (especially, 1pin, 5pin, 9pin, 10pin) for avoiding digital noise problem and cross talk.

2. External Output Buffer Application (JFET Input type OP Amp.)

Ex.) $G_v = +15\text{dB}$



- (*) DATA, CLOCK, LATCH are digital lines.
 Separate the DATA, CLOCK, LATCH lines and Analog signal terminals (especially, 1pin, 5pin, 9pin, 10pin) for avoiding digital noise problem and cross talk.

NJW1159

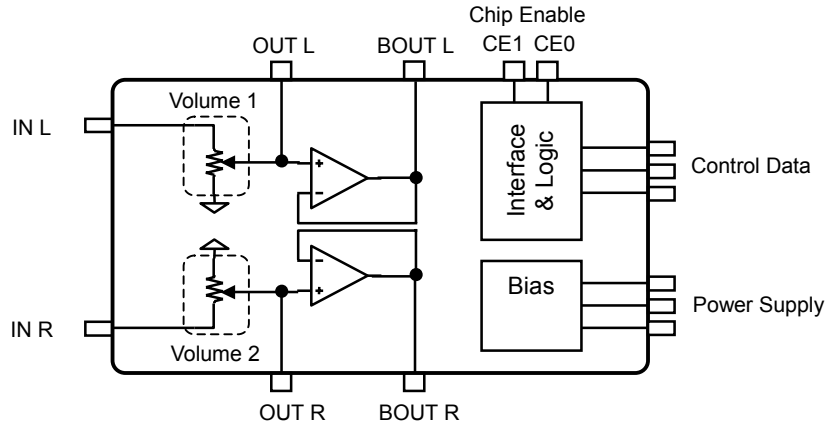
■ CONTROL DATA

NJW1159 is controlled by 16-bits serial data.

MSB

LSB

D15	D14	D13	D12	D11	D10	D9	D8	D7	D6	D5	D4	D3	D2	D1	D0
Data								Select Address				Chip Address			



MSB

LSB

D15	D14	D13	D12	D11	D10	D9	D8	D7	D6	D5	D4	D3	D2	D1	D0
Volume 1							Don't Care	0	0	0	0	*	*	*	*
Volume 2							Don't Care	0	0	0	1	*	*	*	*

* Chip address is set by chip enable terminal (CE0, CE1) status.

Chip enable Terminal		Chip Address			
CE1	CE0	D3	D2	D1	D0
0	0	0	0	0	0
0	1	0	0	0	1
1	0	0	0	1	0
1	1	0	0	1	1

■ INITIAL CONDITION

MSB

LSB

D15	D14	D13	D12	D11	D10	D9	D8	D7	D6	D5	D4	D3	D2	D1	D0
1	1	1	1	1	1	1	1	0	0	0	0	*	*	*	*
1	1	1	1	1	1	1	1	0	0	0	1	*	*	*	*

■ DEFINITION OF RESISTOR

◆ Volume 1 , Volume 2 : 0 to -95dB(1dB/step)

D15	D14	D13	D12	D11	D10	D9	D8	D7	D6	D5	D4	D3	D2	D1	D0
Volume 1							Don't Care	0	0	0	0	*	*	*	*
Volume 2							Don't Care	0	0	0	1	*	*	*	*

< Volume Control >

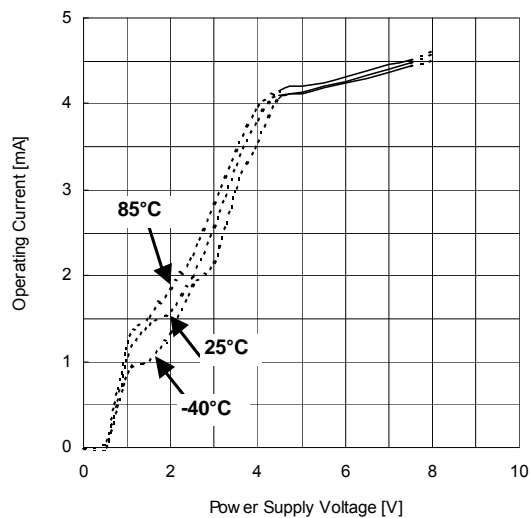
Data							Setting
D15	D14	D13	D12	D11	D10	D9	
0	0	0	0	0	0	0	0dB
0	0	0	0	0	0	1	-1dB
0	0	0	0	0	1	0	-2dB
0	0	0	0	0	1	1	-3dB
0	0	0	0	1	0	0	-4dB
0	0	0	0	1	0	1	-5dB
0	0	0	0	1	1	0	-6dB
0	0	0	0	1	1	1	-7dB
0	0	0	1	0	0	0	-8dB
0	0	0	1	0	0	1	-9dB
0	0	0	1	0	1	0	-10dB
0	0	0	1	0	1	1	-11dB
0	0	0	1	1	0	0	-12dB
0	0	0	1	1	0	1	-13dB
0	0	0	1	1	1	0	-14dB
0	0	0	1	1	1	1	-15dB
0	0	1	0	0	0	0	-16dB
0	0	1	0	0	0	1	-17dB
0	0	1	0	0	1	0	-18dB
0	0	1	0	0	1	1	-19dB
0	0	1	0	1	0	0	-20dB
0	0	1	0	1	0	1	-21dB
0	0	1	0	1	1	0	-22dB
0	0	1	0	1	1	1	-23dB
0	0	1	1	0	0	0	-24dB
0	0	1	1	0	0	1	-25dB
0	0	1	1	0	1	0	-26dB
0	0	1	1	0	1	1	-27dB
0	0	1	1	1	0	0	-28dB
0	0	1	1	1	0	1	-29dB
0	0	1	1	1	1	0	-30dB
0	0	1	1	1	1	1	-31dB
0	1	0	0	0	0	0	-32dB
0	1	0	0	0	0	1	-33dB
0	1	0	0	0	1	0	-34dB
0	1	0	0	0	1	1	-35dB
0	1	0	0	1	0	0	-36dB
0	1	0	0	1	0	1	-37dB
0	1	0	0	1	1	0	-38dB
0	1	0	0	1	1	1	-39dB
0	1	0	1	0	0	0	-40dB
0	1	0	1	0	0	1	-41dB
0	1	0	1	0	1	0	-42dB
0	1	0	1	0	1	1	-43dB
0	1	0	1	1	0	0	-44dB
0	1	0	1	1	0	1	-45dB
0	1	0	1	1	1	0	-46dB
0	1	0	1	1	1	1	-47dB
0	1	1	0	0	0	0	-48dB
0	1	1	0	0	0	1	-49dB
0	1	1	0	0	1	0	-50dB

Data							Setting
D15	D14	D13	D12	D11	D10	D9	
0	1	1	0	0	1	1	-51dB
0	1	1	0	1	0	0	-52dB
0	1	1	0	1	0	1	-53dB
0	1	1	0	1	1	0	-54dB
0	1	1	0	1	1	1	-55dB
0	1	1	1	0	0	0	-56dB
0	1	1	1	0	0	1	-57dB
0	1	1	1	0	1	0	-58dB
0	1	1	1	0	1	1	-59dB
0	1	1	1	1	0	0	-60dB
0	1	1	1	1	0	1	-61dB
0	1	1	1	1	1	0	-62dB
0	1	1	1	1	1	1	-63dB
1	0	0	0	0	0	0	-64dB
1	0	0	0	0	0	1	-65dB
1	0	0	0	0	1	0	-66dB
1	0	0	0	0	1	1	-67dB
1	0	0	0	1	0	0	-68dB
1	0	0	0	1	0	1	-69dB
1	0	0	0	1	1	0	-70dB
1	0	0	0	1	1	1	-71dB
1	0	0	1	0	0	0	-72dB
1	0	0	1	0	0	1	-73dB
1	0	0	1	0	1	0	-74dB
1	0	0	1	0	1	1	-75dB
1	0	0	1	1	0	0	-76dB
1	0	0	1	1	0	1	-77dB
1	0	0	1	1	1	0	-78dB
1	0	0	1	1	1	1	-79dB
1	0	1	0	0	0	0	-80dB
1	0	1	0	0	0	1	-81dB
1	0	1	0	0	1	0	-82dB
1	0	1	0	0	1	1	-83dB
1	0	1	0	1	0	0	-84dB
1	0	1	0	1	0	1	-85dB
1	0	1	0	1	1	0	-86dB
1	0	1	0	1	1	1	-87dB
1	0	1	1	0	0	0	-88dB
1	0	1	1	0	0	1	-89dB
1	0	1	1	0	1	0	-90dB
1	0	1	1	0	1	1	-91dB
1	0	1	1	1	0	0	-92dB
1	0	1	1	1	0	1	-93dB
1	0	1	1	1	1	0	-94dB
1	0	1	1	1	1	1	-95dB
1	1	1	1	1	1	1	MUTE ^(*)

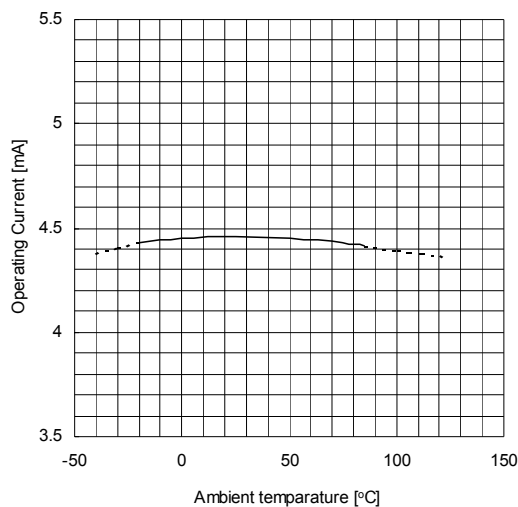
(*) Initial Setting

TYPICAL CHARACTERISTICS

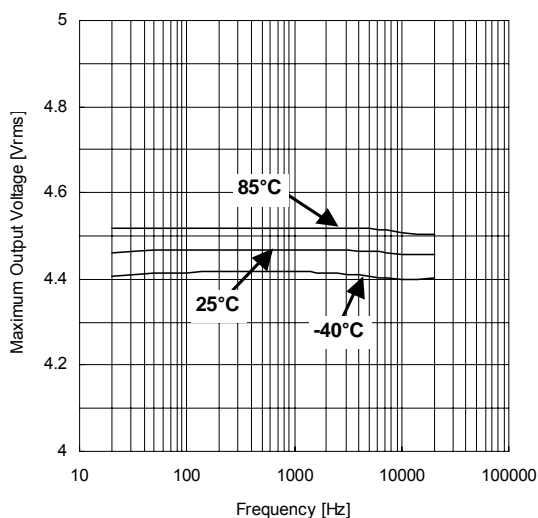
Operating Current vs. Power Supply voltage



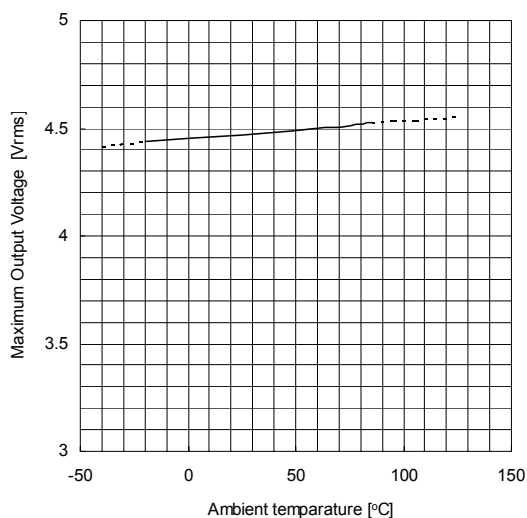
Operating Current vs. Ambient temperature
 $V+V- = \pm 7V, I_{CC}$



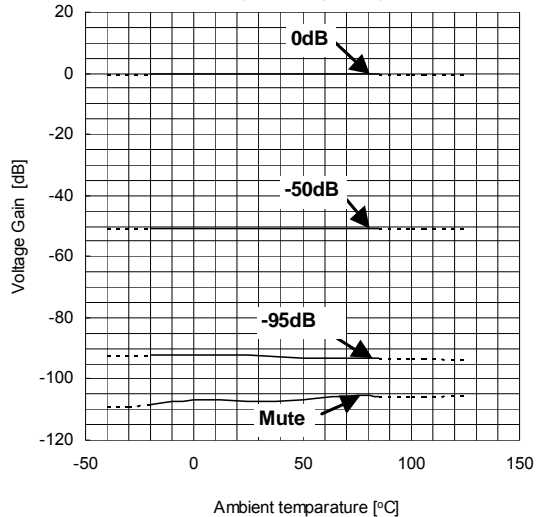
Maximum Output Voltage vs. Frequency
 $V+V- = \pm 7V, THD=1\%$



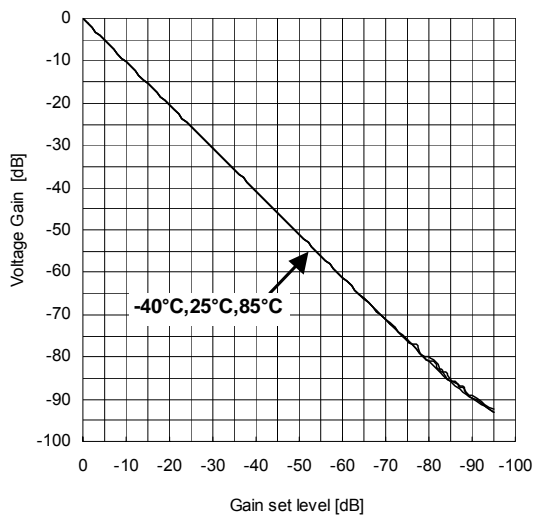
Maximum Output Voltage vs. Ambient temperature
 $V+V- = \pm 7V, THD=1\%$



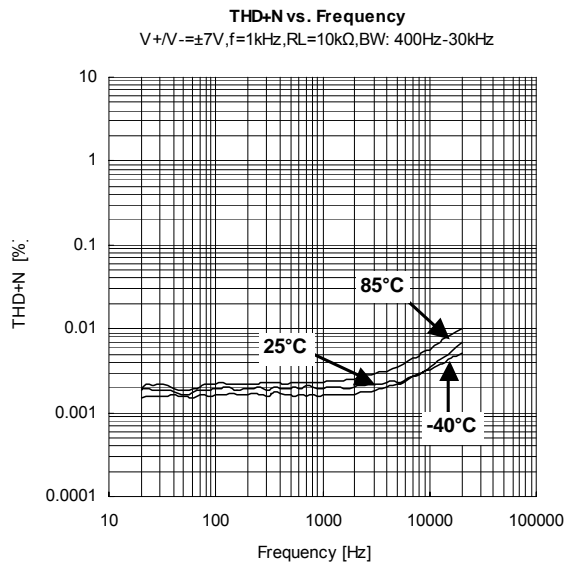
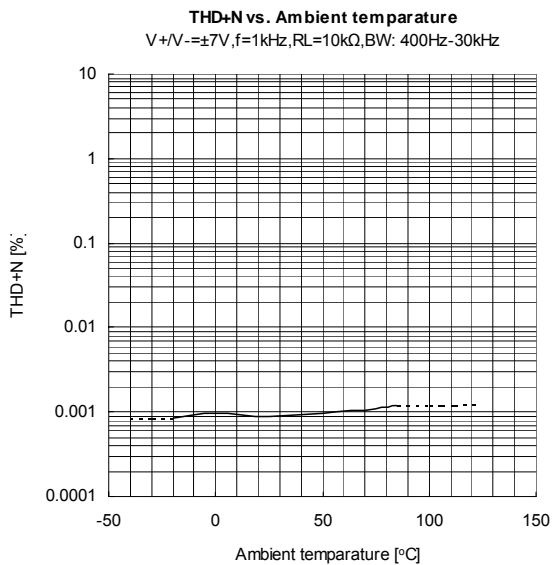
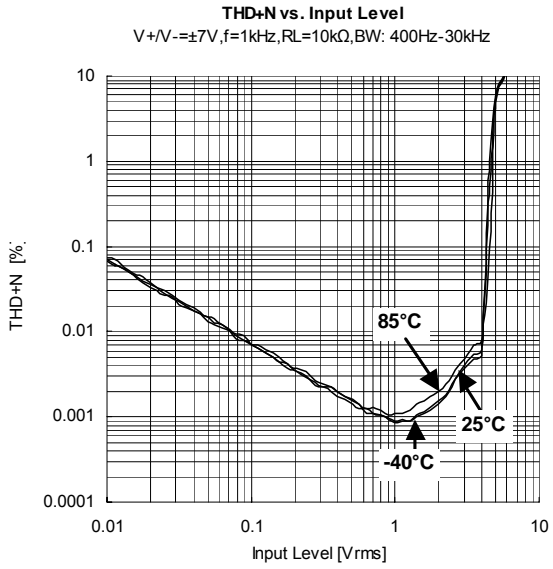
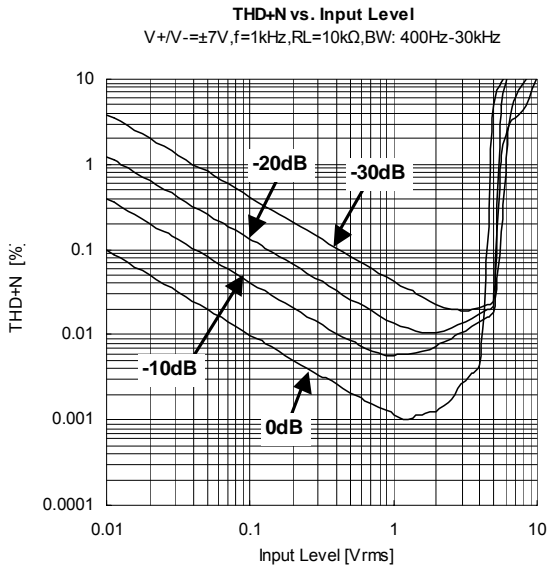
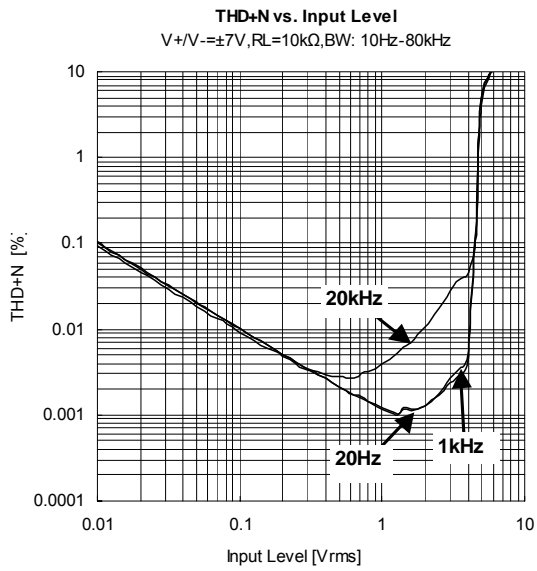
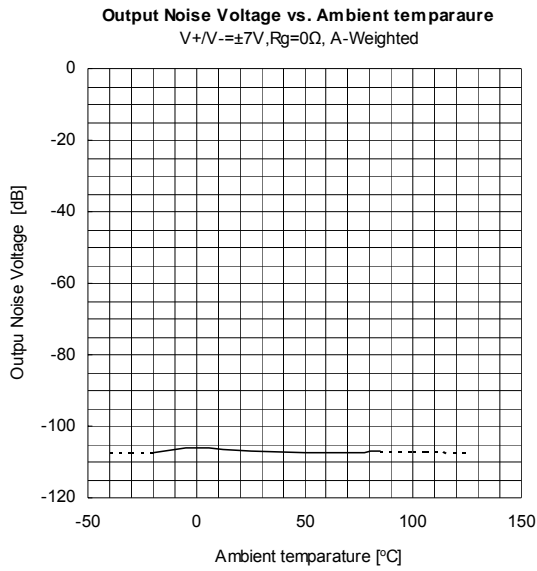
Voltage Gain vs. Ambient temperature
 $V+V- = \pm 7V, V_{in}=0dBV, f=1kHz, R_L=10k\Omega$



Voltage Gain vs. Gain set level
 $V+V- = \pm 7V, V_{in}=0dBV, f=1kHz, R_L=10k\Omega$



TYPICAL CHARACTERISTICS



[CAUTION]

The specifications on this databook are only given for information, without any guarantee as regards either mistakes or omissions. The application circuits in this databook are described only to show representative usages of the product and not intended for the guarantee or permission of any right including the industrial rights.

Mouser Electronics

Authorized Distributor

Click to View Pricing, Inventory, Delivery & Lifecycle Information:

[NJR:](#)

[NJW1159V-TE1](#) [NJW1159D](#) [NJW1159M](#)



Компания «ЭлектроПласт» предлагает заключение долгосрочных отношений при поставках импортных электронных компонентов на взаимовыгодных условиях!

Наши преимущества:

- Оперативные поставки широкого спектра электронных компонентов отечественного и импортного производства напрямую от производителей и с крупнейших мировых складов;
- Поставка более 17-ти миллионов наименований электронных компонентов;
- Поставка сложных, дефицитных, либо снятых с производства позиций;
- Оперативные сроки поставки под заказ (от 5 рабочих дней);
- Экспресс доставка в любую точку России;
- Техническая поддержка проекта, помощь в подборе аналогов, поставка прототипов;
- Система менеджмента качества сертифицирована по Международному стандарту ISO 9001;
- Лицензия ФСБ на осуществление работ с использованием сведений, составляющих государственную тайну;
- Поставка специализированных компонентов (Xilinx, Altera, Analog Devices, Intersil, Interpoint, Microsemi, Aeroflex, Peregrine, Syfer, Eurofarad, Texas Instrument, Miteq, Cobham, E2V, MA-COM, Hittite, Mini-Circuits, General Dynamics и др.);

Помимо этого, одним из направлений компании «ЭлектроПласт» является направление «Источники питания». Мы предлагаем Вам помощь Конструкторского отдела:

- Подбор оптимального решения, техническое обоснование при выборе компонента;
- Подбор аналогов;
- Консультации по применению компонента;
- Поставка образцов и прототипов;
- Техническая поддержка проекта;
- Защита от снятия компонента с производства.



Как с нами связаться

Телефон: 8 (812) 309 58 32 (многоканальный)

Факс: 8 (812) 320-02-42

Электронная почта: org@eplast1.ru

Адрес: 198099, г. Санкт-Петербург, ул. Калинина, дом 2, корпус 4, литера А.