

**512Kx16 LOW VOLTAGE,
 ULTRA LOW POWER CMOS STATIC RAM with ECC**

KEY FEATURES

- High-speed access time: 45ns, 55ns
- CMOS low power operation
 - Operating Current: 35mA (max.)
 - CMOS standby Current: 5.5uA (typ.)
- TTL compatible interface levels
- Single power supply
 - 1.65V-2.2V V_{DD} (IS62/65WV51216EFALL)
 - 2.2V-3.6V V_{DD} (IS62/65WV51216EFBLL)
- Optional ERR1/ERR2 pin:
 ERR1: indicates 1-bit error detection and correction.
 ERR2: indicates 2-bit error detection
- Three state outputs
- Commercial, Industrial and Automotive temperature support
- Lead-free available

DESCRIPTION

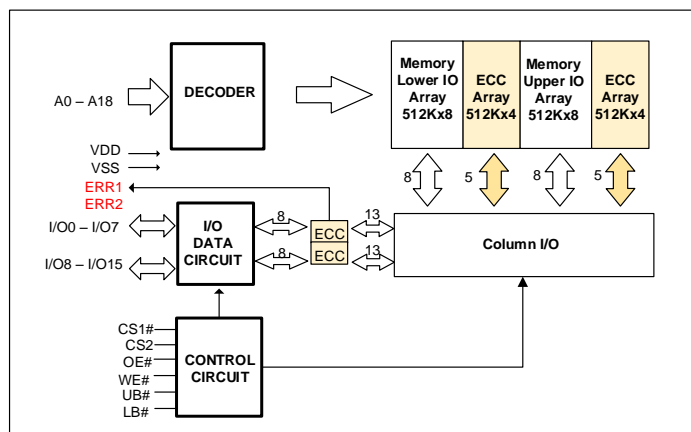
The *ISSI* IS62/65WV51216EFALL/BLL are high-speed, low power, 8M bit static RAMs organized as 512K words by 16 bits. It is fabricated using *ISSI*'s high-performance CMOS technology and implemented ECC function to improve reliability.

This highly reliable process coupled with innovative circuit design techniques including ECC (SEC-DEC: Single Error Correcting-Double Error Detecting), yields high-performance and low power consumption devices. When CS1# is HIGH (deselected) or when CS2 is LOW (deselected), or when CS1# is LOW, CS2 is HIGH and both LB# and UB# are HIGH, the device assumes a standby mode at which the power dissipation can be reduced down with CMOS input levels.

Easy memory expansion is provided by using Chip Enable and Output Enable inputs. The active LOW Write Enable (WE#) controls both writing and reading of the memory. A data byte allows Upper Byte (UB#) and Lower Byte (LB#) access.

The IS62/65WV51216EFALL/BLL are packaged in the JEDEC standard 48-pin mini BGA (6mm x 8mm), and 44-pin TSOP (TYPE II)

FUNCTIONAL BLOCK DIAGRAM



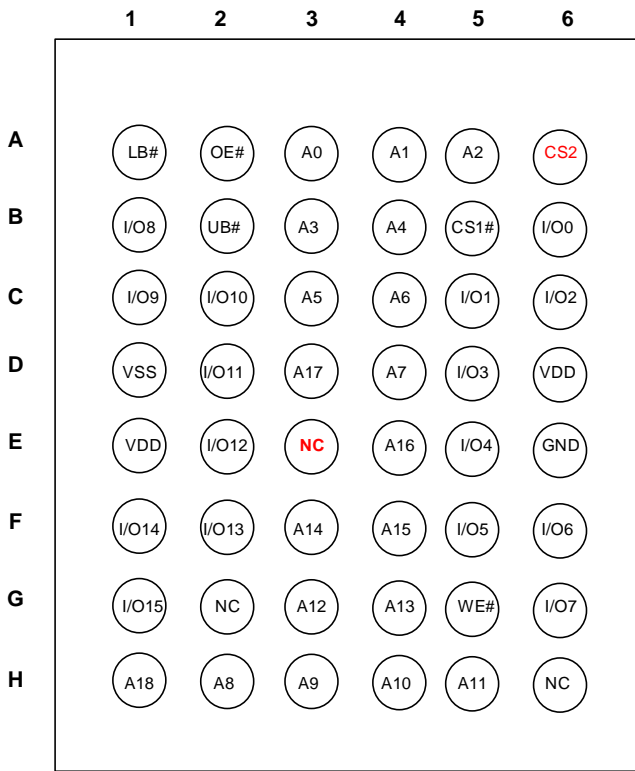
Copyright © 2020 Integrated Silicon Solution, Inc. All rights reserved. ISSI reserves the right to make changes to this specification and its products at any time without notice. ISSI assumes no liability arising out of the application or use of any information, products or services described herein. Customers are advised to obtain the latest version of this device specification before relying on any published information and before placing orders for products.

Integrated Silicon Solution, Inc. does not recommend the use of any of its products in life support applications where the failure or malfunction of the product can reasonably be expected to cause failure of the life support system or to significantly affect its safety or effectiveness. Products are not authorized for use in such applications unless Integrated Silicon Solution, Inc. receives written assurance to its satisfaction, that:

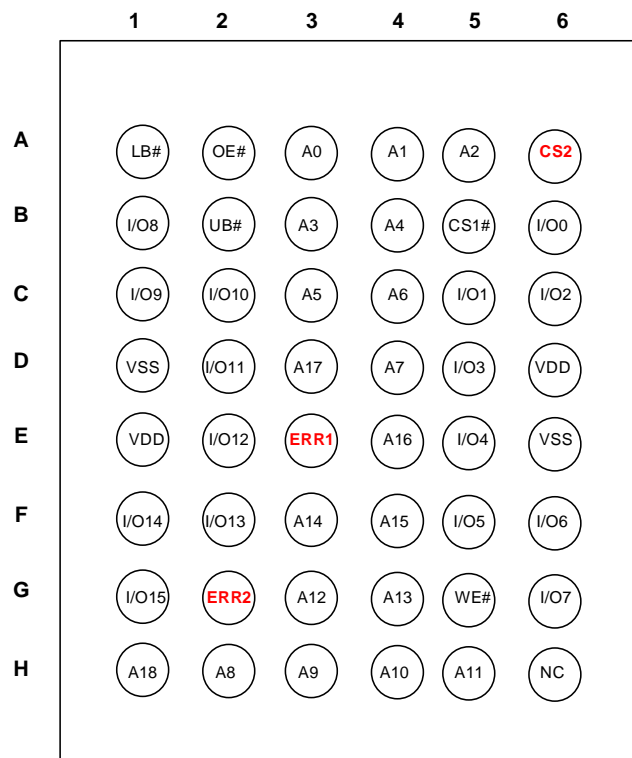
- a.) the risk of injury or damage has been minimized;
- b.) the user assume all such risks; and
- c.) potential liability of Integrated Silicon Solution, Inc is adequately protected under the circumstances

PIN CONFIGURATIONS

48-Pin mini BGA(6mm x 8mm), 2CS, No ERR



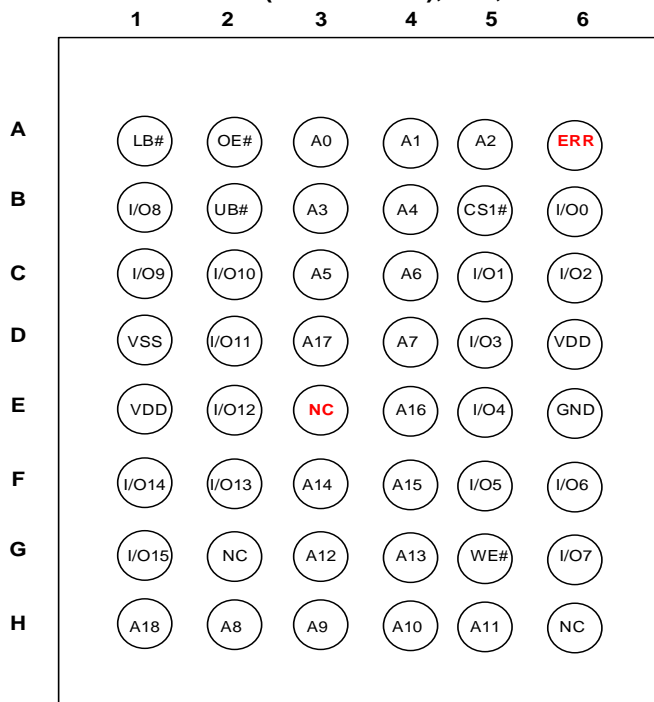
48-Pin mini BGA (6mm x 8mm),2CS, ERR1, ERR2



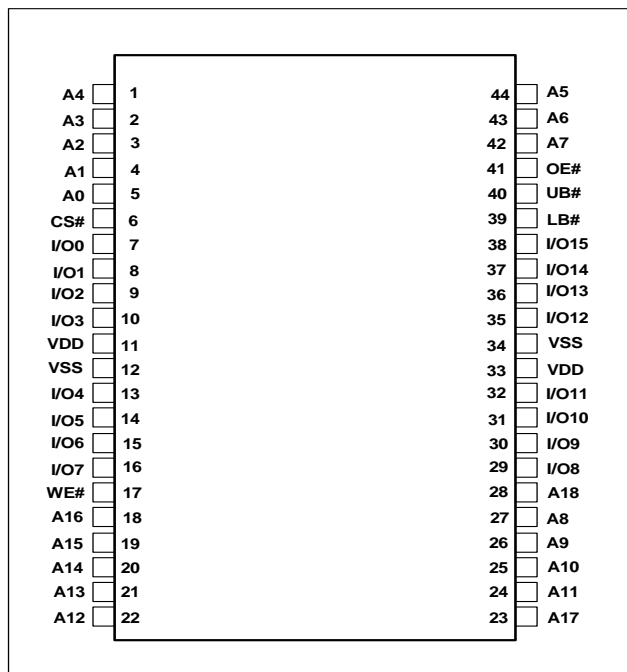
PIN DESCRIPTIONS

| | |
|------------|------------------------------------|
| A0-A18 | Address Inputs |
| I/O0-I/O15 | Data Inputs/Outputs |
| CS1#, CS2 | Chip Enable Input |
| OE# | Output Enable Input |
| WE# | Write Enable Input |
| LB# | Lower-byte Control (I/O0-I/O7) |
| UB# | Upper-byte Control (I/O8-I/O15) |
| ERR1 | Single ERR Correction Signal |
| ERR2 | Double ERR Detection Signal |
| NC | No Connection |
| VDD | Power |
| VSS | Ground |

48-Pin mini BGA (6mm x 8mm), 1CS, ERR



44-Pin TSOP-II , 1CS, No ERR



FUNCTION DESCRIPTION

SRAM is one of random access memories. Each byte or word has an address and can be accessed randomly. SRAM has three different modes supported. Each function is described below with Truth Table.

STANDBY MODE

Device enters standby mode when deselected (CS1# HIGH or CS2 LOW or both UB# and LB# are HIGH). The input and output pins (I/O0-15) are placed in a high impedance state. The current consumption in this mode will be ISB1 or ISB2. CMOS input in this mode will maximize saving power.

WRITE MODE

Write operation issues with Chip selected (CS1# LOW and CS2 HIGH) and Write Enable (WE#) input LOW. The input and output pins (I/O0-15) are in data input mode. Output buffers are closed during this time even if OE# is LOW. UB# and LB# enables a byte write feature. By enabling LB# LOW, data from I/O pins (I/O0 through I/O7) are written into the location specified on the address pins. And with UB# being LOW, data from I/O pins (I/O8 through I/O15) are written into the location.

READ MODE

Read operation issues with Chip selected (CS1# LOW and CS2 HIGH) and Write Enable (WE#) input HIGH. When OE# is LOW, output buffer turns on to make data output. Any input to I/O pins during READ mode is not permitted. UB# and LB# enables a byte read feature. By enabling LB# LOW, data from memory appears on I/O0-7. And with UB# being LOW, data from memory appears on I/O8-15.

In the READ mode, output buffers can be turned off by pulling OE# HIGH. In this mode, internal device operates as READ but I/Os are in a high impedance state. Since device is in READ mode, active current is used.

ERROR DETECTION AND ERROR CORRECTION

- Independent ECC per each byte
 - detect and correct one bit error per byte or detect 2-bit error per byte
- Optional ERR1 output signal indicates 1-bit error detection and correction
- Optional ERR2 output signal indicates 2-bit error detection.
- Controller can use either ERR1 or ERR2 to monitor ECC event. Unused pins (ERR1 or ERR2) can be left floating.
- Better reliability than parity code schemes which can only detect an error but not correct an error
- Backward Compatible: Drop in replacement to current in industry standard devices (without ECC)

ERR1, ERR2 OUTPUT SIGNAL BEHAVIOR

| ERR1 | ERR2 | DQ pin | Status | Remark |
|--------|--------|------------|---------------------|---|
| 0 | 0 | Valid Q | No Error | |
| 1 | 0 | Valid Q | 1-Bit Error only | 1-bit error per byte detected and corrected |
| 0 | 1 | In-Valid Q | 2-Bit Error only | No 1-bit error. 2-bit error per byte detected |
| 1 | 1 | In-Valid Q | 1-Bit & 2-Bit Error | 1-bit error detected and corrected, but 2-bit error detected at another byte. |
| High-Z | High-Z | Valid D | Non-Read | Write operation or Output Disabled |

TRUTH TABLE

| Mode | CS1# | CS2 | WE# | OE# | LB# | UB# | I/O0-I/O7 | I/O8-I/O15 | VDD Current |
|-----------------|------|-----|-----|-----|-----|-----|-----------|------------|-------------|
| Not Selected | H | X | X | X | X | X | High-Z | High-Z | ISB2 |
| | X | L | X | X | X | X | High-Z | High-Z | |
| | X | X | X | X | H | H | High-Z | High-Z | |
| Output Disabled | L | H | H | H | L | X | High-Z | High-Z | ICC,ICC1 |
| | L | H | H | H | X | L | High-Z | High-Z | |
| Read | L | H | H | L | L | H | DOUT | High-Z | ICC,ICC1 |
| | L | H | H | L | H | L | High-Z | DOUT | |
| | L | H | H | L | L | L | DOUT | DOUT | |
| Write | L | H | L | X | L | H | DIN | High-Z | ICC,ICC1 |
| | L | H | L | X | H | L | High-Z | DIN | |
| | L | H | L | X | L | L | DIN | DIN | |

ABSOLUTE MAXIMUM RATINGS AND OPERATING RANGE

ABSOLUTE MAXIMUM RATINGS⁽¹⁾

| Symbol | Parameter | Value | Unit |
|-------------------|--------------------------------------|--------------------------------------|------|
| V _{term} | Terminal Voltage with Respect to GND | -0.5 to 3.9 (V _{DD} + 0.3V) | V |
| V _{DD} | V _{DD} Related to GND | -0.3 to 3.9 (V _{DD} + 0.3V) | V |
| t _{Stg} | Storage Temperature | -65 to +150 | °C |
| I _{OUT} | DC Output Current (LOW) | 20 | mA |

Notes:

1. Stress greater than those listed under ABSOLUTE MAXIMUM RATINGS may cause permanent damage to the device. This is a stress rating only and functional operation of the device at these or any other conditions above those indicated in the operational sections of this specification is not implied. Exposure to absolute maximum rating conditions for extended periods may affect reliability.

OPERATING RANGE⁽¹⁾

| Range | Ambient Temperature | PART NUMBER | SPEED (MAX) | VDD(MIN) | VDD(TYP) | VDD(MAX) |
|------------|---------------------|-------------|-------------|----------|----------|----------|
| Commercial | 0°C to +70°C | ~ALL | 55 ns | 1.65V | 1.8V | 2.2V |
| Industrial | -40°C to +85°C | | 55 ns | 1.65V | 1.8V | 2.2V |
| Automotive | -40°C to +125°C | | 55 ns | 1.65V | 1.8V | 2.2V |
| Commercial | 0°C to +70°C | ~BLL | 45ns | 2.2V | 3.0V | 3.6V |
| Industrial | -40°C to +85°C | | 45ns | 2.2V | 3.0V | 3.6V |
| Automotive | -40°C to +125°C | | 55ns | 2.2V | 3.0V | 3.6V |

Note:

1. Full device AC operation assumes a 100 µs ramp time from 0 to V_{cc}(min) and 200 µs wait time after V_{cc} stabilization.

PIN CAPACITANCE⁽¹⁾

| Parameter | Symbol | Test Condition | Max | Units |
|---------------------------|------------------|---|-----|-------|
| Input capacitance | C _{IN} | T _A = 25°C, f = 1 MHz, V _{DD} = V _{DD} (typ) | 6 | pF |
| DQ capacitance (IO0–IO15) | C _{I/O} | | 8 | pF |

Note:

1. These parameters are guaranteed by design and tested by a sample basis only.

THERMAL CHARACTERISTICS⁽¹⁾

| Parameter | Symbol | Test Conditions | 48-ball BGA | 44-pin TSOP II | Units |
|--|------------------|---|-------------|----------------|-------|
| Thermal resistance (junction to ambient) | R _{θJA} | Still air, four-layer printed circuit board | 48.4 | 47.7 | °C/W |
| Thermal resistance (junction to pins) | R _{θJB} | | 23.3 | 30.1 | °C/W |
| Thermal resistance (junction to case) | R _{θJC} | | 10.8 | 9.1 | °C/W |

Note:

1. These parameters are guaranteed by design and tested by a sample basis only.

AC TEST CONDITIONS (OVER THE OPERATING RANGE)

| Parameter | Unit (1.65V~2.2V) | Unit (2.2V~3.6V) |
|-------------------------------|-------------------------|----------------------|
| Input Pulse Level | 0V to V_{DD} | 0V to V_{DD} |
| Input Rise and Fall Time | 1V/ns | 1V/ns |
| Output Timing Reference Level | 0.9V | $\frac{1}{2} V_{DD}$ |
| R1 | 13500 | 1005 |
| R2 | 10800 | 820 |
| V_{TM} | 1.8V | V_{DD} |
| Output Load Conditions | Refer to Figure 1 and 2 | |

OUTPUT LOAD CONDITIONS FIGURES

FIGURE 1

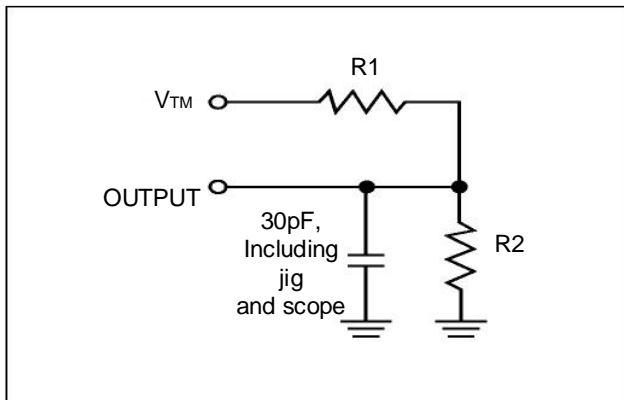
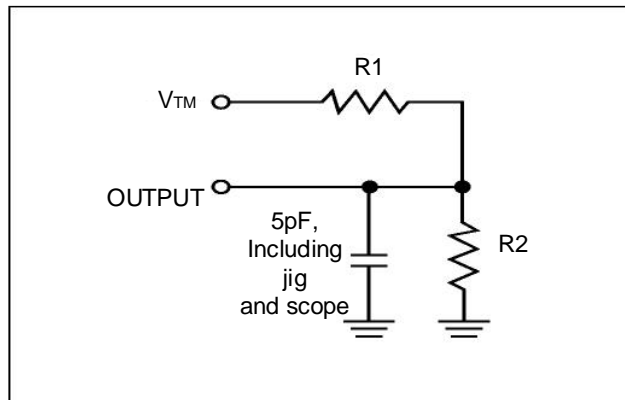


FIGURE 2



DC ELECTRICAL CHARACTERISTICS

IS62(5)WV51216EFALL DC ELECTRICAL CHARACTERISTICS-I (OVER THE OPERATING RANGE)
VDD = 1.65V ~ 2.2V

| Symbol | Parameter | Test Conditions | Min. | Max. | Unit |
|--------------------------------|---------------------|---|------|-----------------------|------|
| V _{OH} | Output HIGH Voltage | I _{OH} = -0.1 mA | 1.4 | — | V |
| V _{OL} | Output LOW Voltage | I _{OL} = 0.1 mA | — | 0.2 | V |
| V _{IH} ⁽¹⁾ | Input HIGH Voltage | | 1.4 | V _{DD} + 0.2 | V |
| V _{IL} ⁽¹⁾ | Input LOW Voltage | | -0.2 | 0.4 | V |
| I _{LI} | Input Leakage | GND < V _{IN} < V _{DD} | -1 | 1 | μA |
| I _{LO} | Output Leakage | GND < V _{IN} < V _{DD} , Output Disabled | -1 | 1 | μA |

Notes:

- V_{ILL}(min) = -1.0V AC (pulse width < 10ns). Not 100% tested.
V_{IHH}(max) = V_{DD} + 1.0V AC (pulse width < 10ns). Not 100% tested.

IS62(5)WV51216EFBLL DC ELECTRICAL CHARACTERISTICS-I (OVER THE OPERATING RANGE)
VDD = 2.2V ~ 3.6V

| Symbol | Parameter | Test Conditions | Min. | Max. | Unit |
|--------------------------------|---------------------|---|------|-----------------------|------|
| V _{OH} | Output HIGH Voltage | 2.2 ≤ V _{DD} < 2.7, I _{OH} = -0.1 mA | 2.0 | — | V |
| | | 2.7 ≤ V _{DD} ≤ 3.6, I _{OH} = -1.0 mA | 2.4 | — | V |
| V _{OL} | Output LOW Voltage | 2.2 ≤ V _{DD} < 2.7, I _{OL} = 0.1 mA | — | 0.4 | V |
| | | 2.7 ≤ V _{DD} ≤ 3.6, I _{OL} = 2.1 mA | — | 0.4 | V |
| V _{IH} ⁽¹⁾ | Input HIGH Voltage | 2.2 ≤ V _{DD} < 2.7 | 1.8 | V _{DD} + 0.3 | V |
| | | 2.7 ≤ V _{DD} ≤ 3.6 | 2.0 | V _{DD} + 0.3 | V |
| V _{IL} ⁽¹⁾ | Input LOW Voltage | 2.2 ≤ V _{DD} < 2.7 | -0.3 | 0.6 | V |
| | | 2.7 ≤ V _{DD} ≤ 3.6 | -0.3 | 0.8 | V |
| I _{LI} | Input Leakage | GND < V _{IN} < V _{DD} | -1 | 1 | μA |
| I _{LO} | Output Leakage | GND < V _{IN} < V _{DD} , Output Disabled | -1 | 1 | μA |

Notes:

- V_{ILL}(min) = -2.0V AC (pulse width < 10ns). Not 100% tested.
V_{IHH}(max) = V_{DD} + 2.0V AC (pulse width < 10ns). Not 100% tested.

IS62WV51216EFALL/BLL
IS65WV51216EFALL/BLL



IS62(5)WV51216EFALL DC ELECTRICAL CHARACTERISTICS-II FOR POWER
(OVER THE OPERATING RANGE)

| Symbol | Parameter | Test Conditions | Grade | Typ ⁽¹⁾ | Max | Unit | |
|--------|--|---|----------|--------------------|------|-------------------|----|
| ICC | V _{DD} Dynamic Operating Supply Current | V _{DD} = V _{DD} (max), I _{OUT} = 0mA, f = f _{max} , | Com. | - | 35 | mA | |
| | | | Ind. | - | 35 | | |
| | | | Auto. A3 | - | 35 | | |
| ICC1 | V _{DD} Static Operating Supply Current | V _{DD} = V _{DD} (max), I _{OUT} = 0mA, f = 0 | Com. | - | 5 | mA | |
| | | | Ind. | - | 5 | | |
| | | | Auto. A3 | - | 5 | | |
| ISB2 | CMOS Standby Current (CMOS Inputs) | V _{DD} = V _{DD} (max), f = 0, CS1# ≥ V _{DD} - 0.2V or CS2 < 0.2V or (LB# and UB#) ≥ V _{DD} - 0.2V, VIN ≤ 0.2V or VIN ≥ V _{DD} - 0.2V | Com. | 25°C | 5.5 | 9 ⁽²⁾ | μA |
| | | | | 40°C | 6.0 | 10 ⁽²⁾ | |
| | | | | 70°C | 7.5 | 14 | |
| | | | Ind. | 85°C | 10.5 | 20 | |
| | | | Auto. A3 | 125°C | 25 | 55 | |

Notes:

1. Typical value indicates the value for the center of distribution at V_{DD}=V_{DD} (Typ.), and not 100% tested.
2. Maximum value at 25°C, 40°C are guaranteed by design, and not 100% tested

IS62(5)WV51216EFBLL DC ELECTRICAL CHARACTERISTICS-II FOR POWER
(OVER THE OPERATING RANGE)

| Symbol | Parameter | Test Conditions | Grade | Typ ⁽¹⁾ | Max | Unit | |
|--------|--|---|----------|--------------------|------|-------------------|----|
| ICC | V _{DD} Dynamic Operating Supply Current | V _{DD} = V _{DD} (max), I _{OUT} = 0mA, f = f _{max} , | Com. | - | 35 | mA | |
| | | | Ind. | - | 35 | | |
| | | | Auto. A3 | - | 35 | | |
| ICC1 | V _{DD} Static Operating Supply Current | V _{DD} = V _{DD} (max), I _{OUT} = 0mA, f = 0 | Com. | - | 5 | mA | |
| | | | Ind. | - | 5 | | |
| | | | Auto. A3 | - | 5 | | |
| ISB2 | CMOS Standby Current (CMOS Inputs) | V _{DD} = V _{DD} (max), f = 0, CS1# ≥ V _{DD} - 0.2V or CS2 < 0.2V or (LB# and UB#) ≥ V _{DD} - 0.2V, VIN ≤ 0.2V or VIN ≥ V _{DD} - 0.2V | Com. | 25°C | 5.5 | 9 ⁽²⁾ | μA |
| | | | | 40°C | 6.0 | 10 ⁽²⁾ | |
| | | | | 70°C | 7.5 | 14 | |
| | | | Ind. | 85°C | 10.5 | 20 | |
| | | | Auto. A3 | 125°C | 25 | 55 | |

Notes:

1. Typical value indicates the value for the center of distribution at V_{DD}=V_{DD} (Typ.), and not 100% tested.
2. Maximum value at 25°C, 40°C are guaranteed by design, and not 100% tested

AC CHARACTERISTICS⁽⁶⁾ (OVER OPERATING RANGE)

READ CYCLE AC CHARACTERISTICS

| Parameter | Symbol | 45ns | | 55ns | | unit | notes |
|----------------------------|------------|------|-----|------|-----|------|-------|
| | | Min | Max | Min | Max | | |
| Read Cycle Time | tRC | 45 | - | 55 | - | ns | 1,5 |
| Address, ERR Access Time | tAA | - | 45 | - | 55 | ns | 1 |
| Output, ERR Hold Time | tOHA | 10 | - | 10 | - | ns | 1 |
| CS1#, CS2 Access Time | tACS1/ACS2 | - | 45 | - | 55 | ns | 1 |
| UB#, LB# Access Time | tBA | - | 45 | - | 55 | ns | 1 |
| OE# Access Time | tDOE | - | 20 | - | 25 | ns | 1 |
| OE# to High-Z Output | tHZOE | - | 15 | - | 20 | ns | 2 |
| OE# to Low-Z Output | tLZOE | 5 | - | 5 | - | ns | 2 |
| CS1#, CS2 to High-Z Output | tHZCS | - | 15 | - | 20 | ns | 2 |
| CS1#, CS2 to Low-Z Output | tLZCS | 10 | - | 10 | - | ns | 2 |
| UB#, LB# to High-Z Output | tHZB | - | 15 | - | 20 | ns | 2 |
| UB#, LB# to Low-Z Output | tLZB | 10 | - | 10 | - | ns | 2 |

WRITE CYCLE AC CHARACTERISTICS

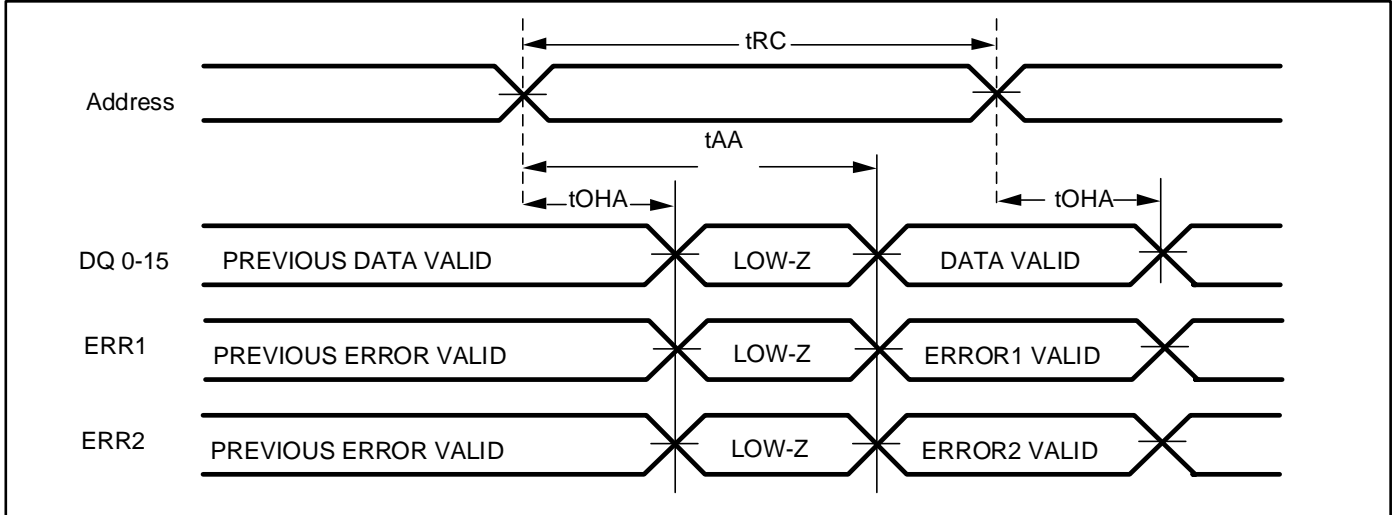
| Parameter | Symbol | 45ns | | 55ns | | unit | notes |
|---------------------------------|------------|------|-----|------|-----|------|-------|
| | | Min | Max | Min | Min | | |
| Write Cycle Time | tWC | 45 | - | 55 | - | ns | 1,3,5 |
| CS1#, CS2 to Write End | tSCS1/SCS2 | 35 | - | 40 | - | ns | 1,3 |
| Address Setup Time to Write End | tAW | 35 | - | 40 | - | ns | 1,3 |
| UB#,LB# to Write End | tPWB | 35 | - | 40 | - | ns | 1,3 |
| Address Hold from Write End | tHA | 0 | - | 0 | - | ns | 1,3 |
| Address Setup Time | tSA | 0 | - | 0 | - | ns | 1,3 |
| WE# Pulse Width | tPWE | 35 | - | 40 | - | ns | 1,3,4 |
| Data Setup to Write End | tSD | 20 | - | 25 | - | ns | 1,3 |
| Data Hold from Write End | tHD | 0 | - | 0 | - | ns | 1,3 |
| WE# LOW to High-Z Output | tHZWE | - | 15 | - | 20 | ns | 2,3 |
| WE# HIGH to Low-Z Output | tLZWE | 5 | - | 5 | - | ns | 2,3 |

Notes:

1. Tested with the load in Figure 1.
2. Tested with the load in Figure 2. Transition is measured ± 500 mV from steady-state voltage. tHZOE, tHZCS, tHZB, and tHZWE transitions are measured when the output enters a high impedance state. Not 100% tested.
3. The internal write time is defined by the overlap of CS1# = LOW, CS2=HIGH, UB# or LB# = LOW, and WE# = LOW. All four conditions must be in valid states to initiate a Write, but any condition can go inactive to terminate the Write. The Data Input Setup and Hold timing are referenced to the rising or falling edge of the signal that terminates the write.
4. tPWE > tHZWE + tSD when OE# is LOW.
5. Address inputs must meet V_{IH} and V_{IL} SPEC during this period. Any glitch or unknown inputs are not permitted. Unknown input with standby mode is acceptable.
6. Data retention characteristics are defined later in DATA RETENTION CHARACTERISTICS.

Timing Diagram

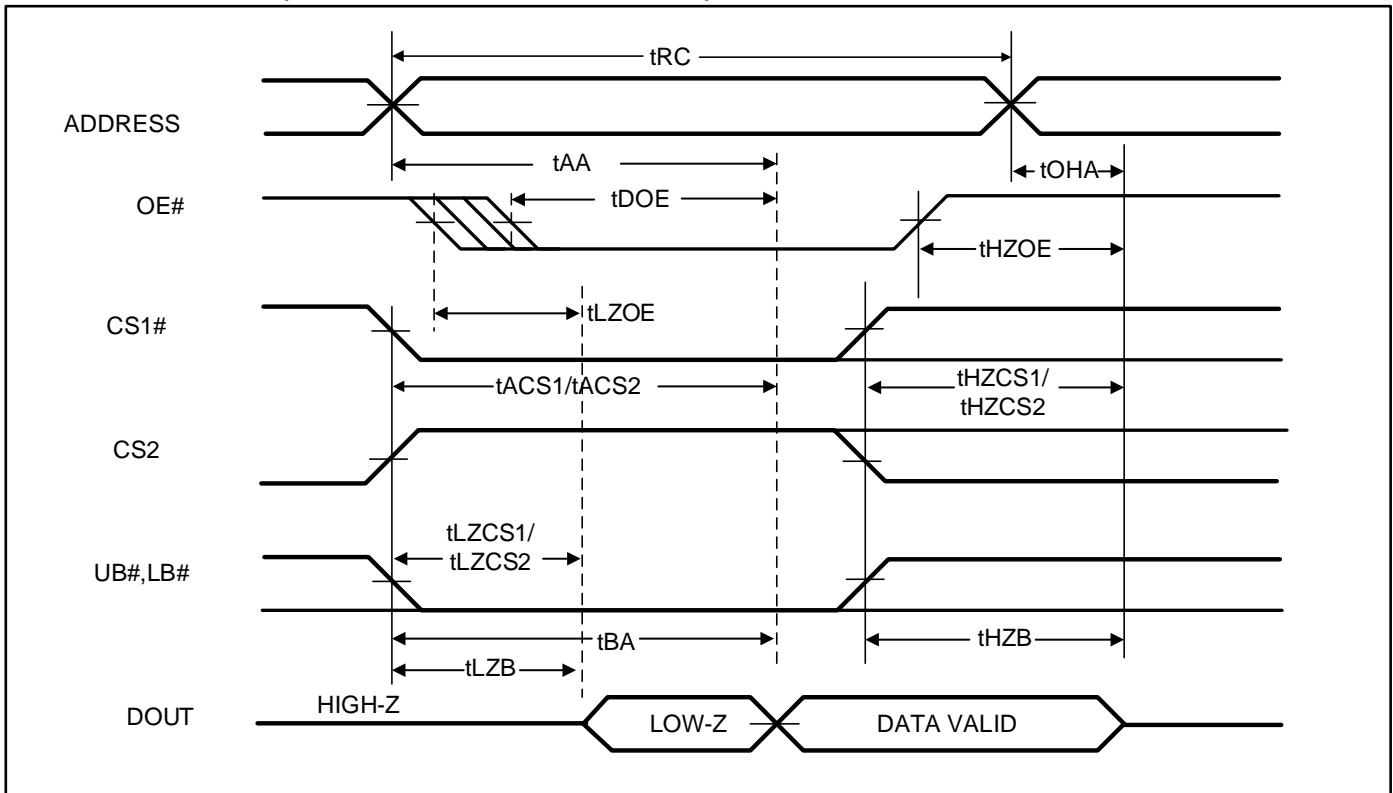
READ CYCLE NO. 1^(1,2) (ADDRESS CONTROLLED, CS1# = OE# = UB# = LB# = LOW, CS2 = WE# = HIGH)



Notes:

1. The device is continuously selected.
2. ERR1, ERR2 signals act like a Read Data Q during Read Operation.

READ CYCLE NO. 2⁽¹⁾ (OE# CONTROLLED, WE# = HIGH)



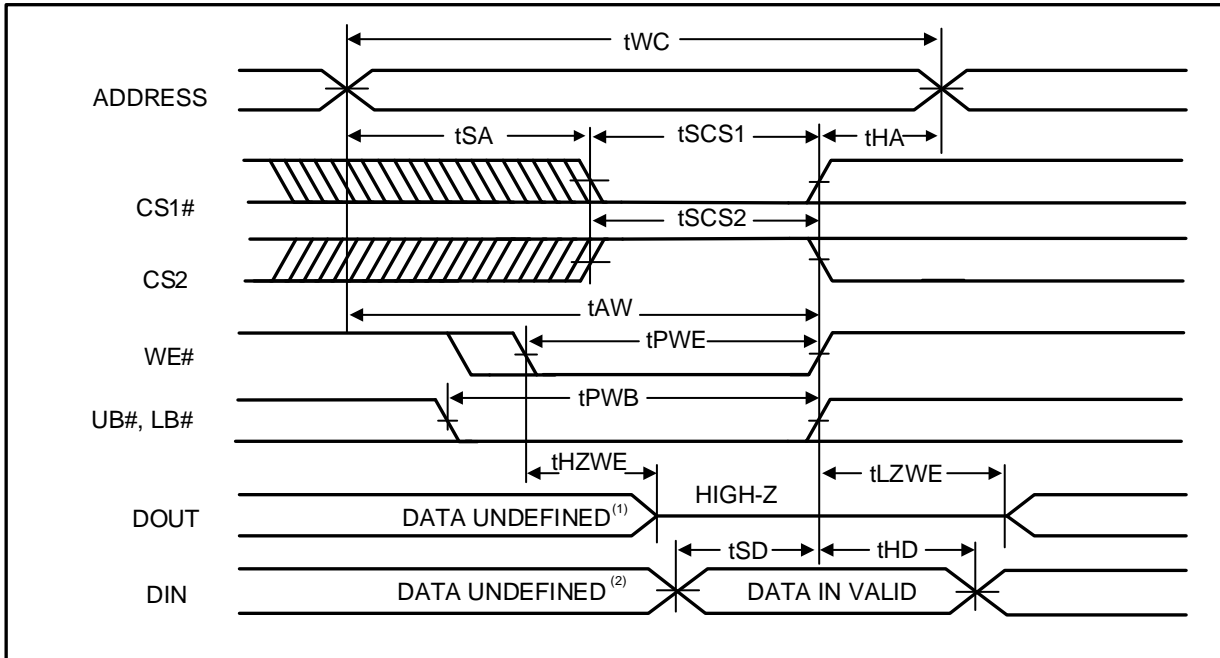
Notes:

1. Address is valid prior to or coincident with CS1# LOW or CS2 HIGH transition.

IS62WV51216EFALL/BLL
IS65WV51216EFALL/BLL



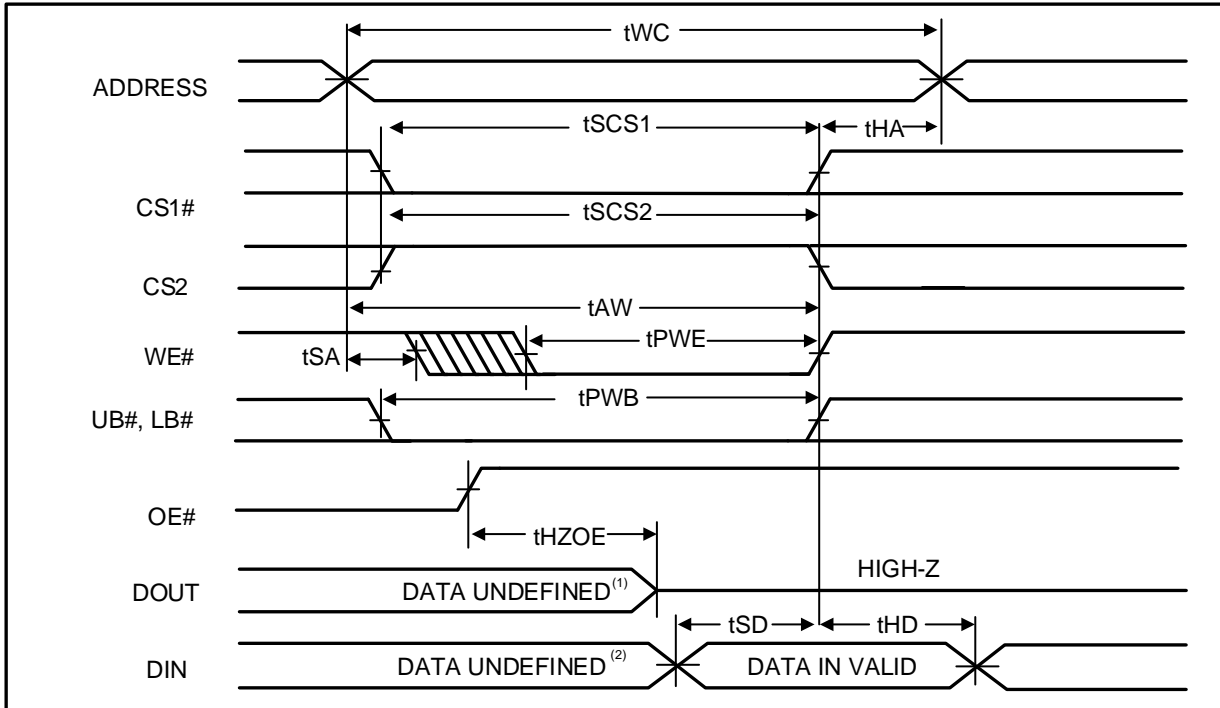
WRITE CYCLE NO. 1^(1,2) (CS1# , CS2 CONTROLLED, OE# = HIGH OR LOW)



Notes:

1. tHZWE is based on the assumption when tSA=0nS after READ operation. Actual DOUT for tHZWE may not appear if OE# goes high before Write Cycle. tHZOE is the time DOUT goes to High-Z after OE# goes high.
2. During this period the I/Os are in output state. Do not apply input signals.

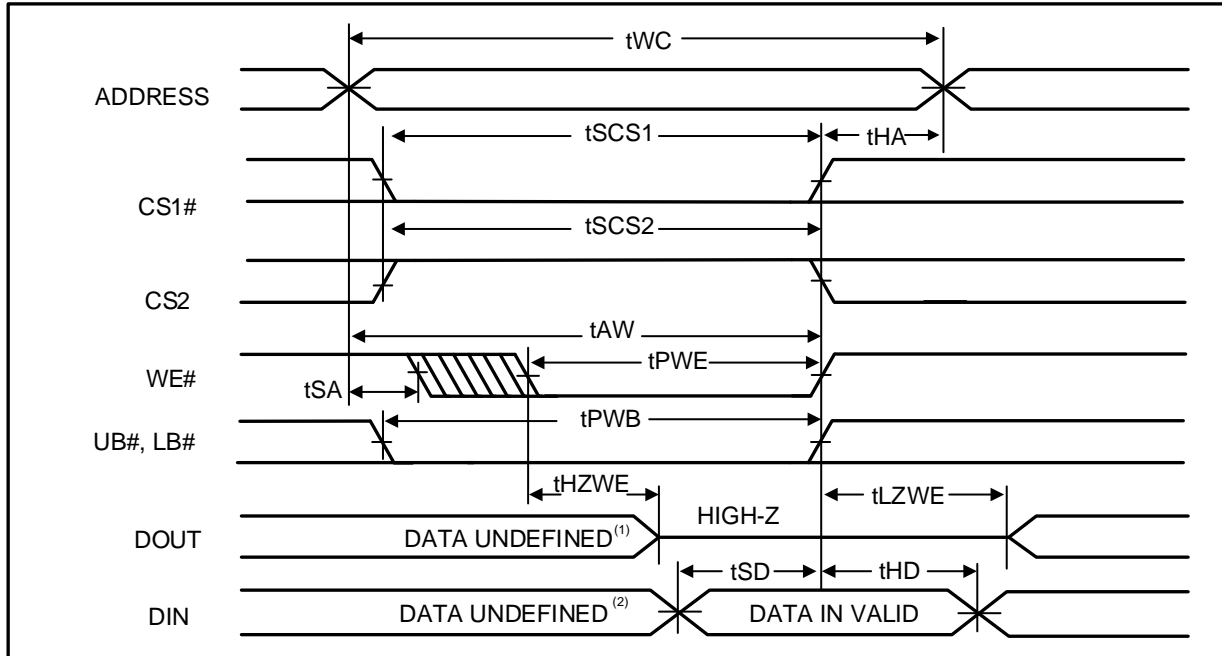
WRITE CYCLE NO. 2^(1,2) (WE# CONTROLLED: OE# IS HIGH DURING WRITE CYCLE)



Notes:

1. tHZOE is the time DOUT goes to High-Z after OE# goes high.
2. During this period the I/Os are in output state. Do not apply input signals.

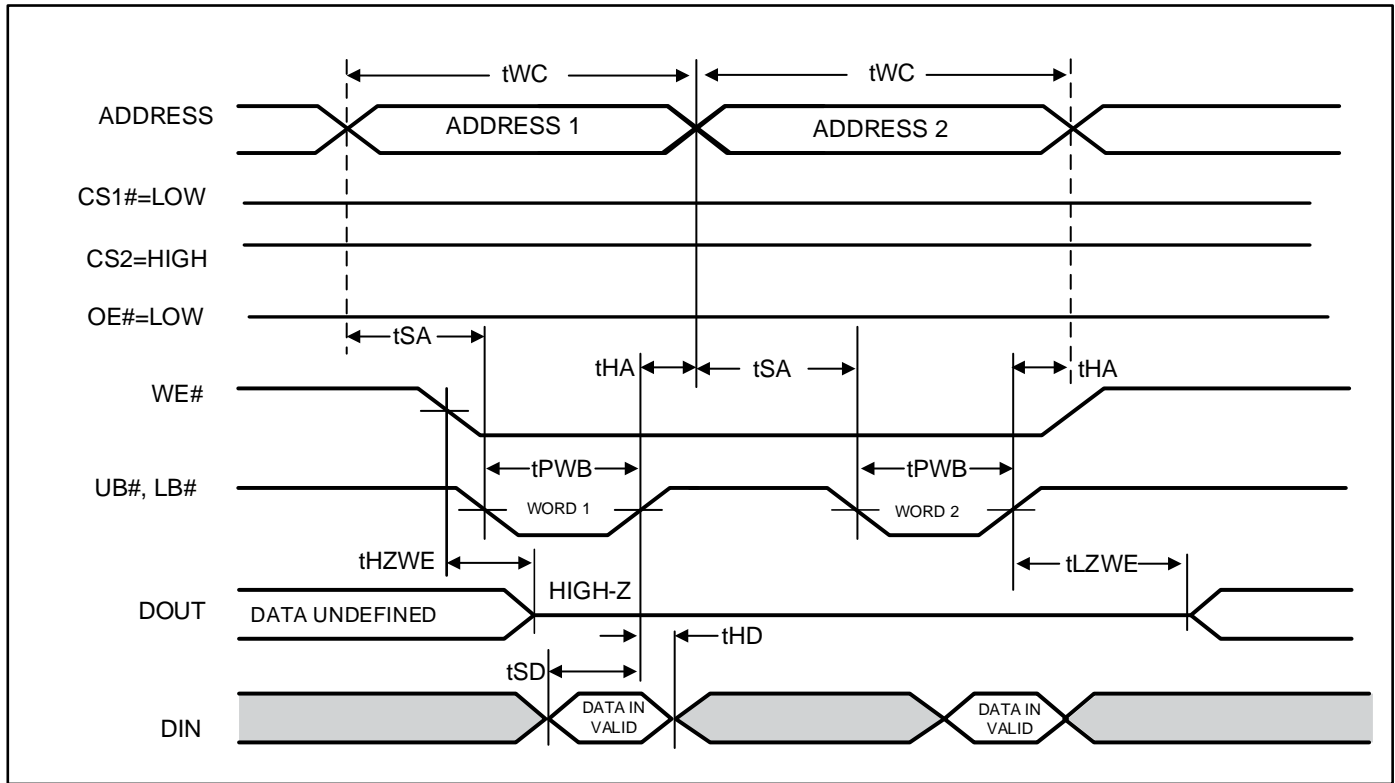
WRITE CYCLE NO. 3⁽¹⁾ (WE# CONTROLLED: OE# IS LOW DURING WRITE CYCLE)



Notes:

1. If OE# is low during write cycle, tHZWE must be met in the application. Do not apply input signal during this period. Data output from the previous READ operation will drive IO BUS.

WRITE CYCLE NO. 4^(1,2,3) (UB# & LB# Controlled, OE# = LOW)



Notes:

1. If OE# is low during write cycle, tHZWE must be met in the application. Do not apply input signal during this period. Data output from the previous READ operation will drive IO BUS.
2. Due to the restriction of note 1, OE# is recommended to be HIGH during write period.
3. WE# stays LOW in this example. If WE# toggles, tPWE and tHZWE must be considered.

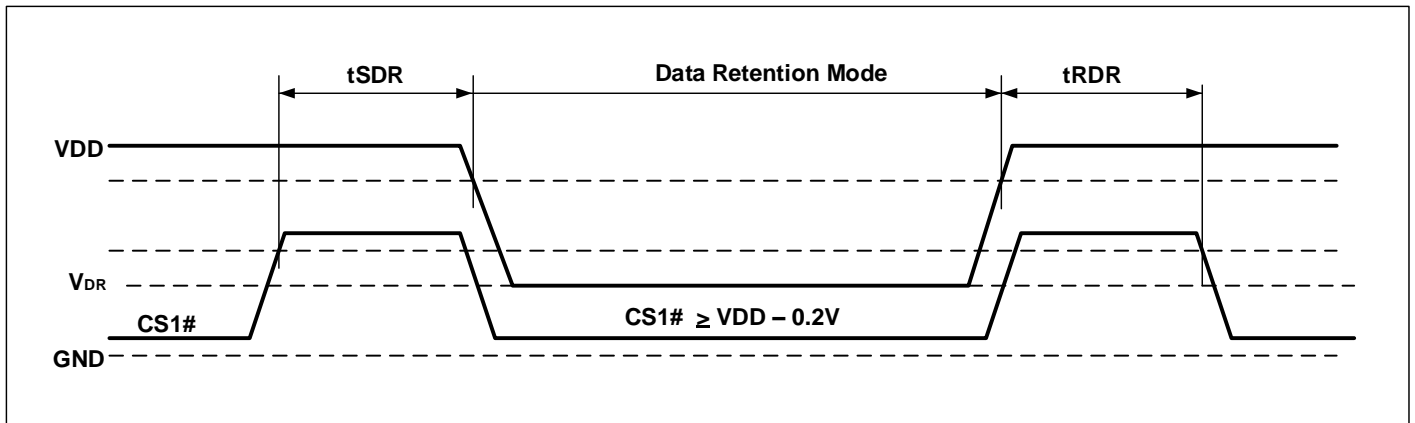
DATA RETENTION CHARACTERISTICS

| Symbol | Parameter | Test Condition | Min. | Typ. ⁽¹⁾ | Max. | Unit | |
|---------------------------------|------------------------------------|---|-----------------|---------------------|------|------|----|
| V _{DR} | V _{DD} for Data Retention | See Data Retention Waveform | 1.5 | - | - | V | |
| I _{DR} | Data Retention Current | V _{DD} = V _{DR} (min), CS1# ≥ V _{DD} - 0.2V or CS2 ≤ 0.2V or (LB# and UB#) ≥ V _{DD} - 0.2V, VIN ≤ 0.2V or VIN ≥ V _{DD} - 0.2V | 25°C | - | 5.5 | 13 | uA |
| | | | 85°C | - | - | 19 | |
| | | | 125°C | - | - | 52 | |
| t _{SDR} ⁽²⁾ | Data Retention Setup Time | See Data Retention Waveform | 0 | - | - | ns | |
| t _{RDR} | Recovery Time | See Data Retention Waveform | t _{RC} | - | - | ns | |

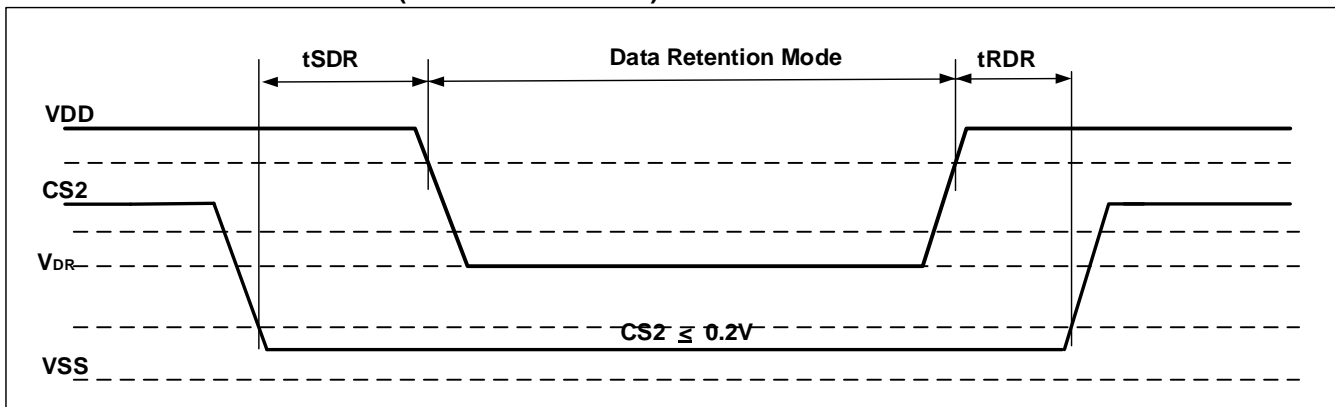
Notes:

1. Typical value indicates the value for the center of distribution at V_{DD} = V_{DR} (min.), and not 100% tested.
2. V_{DD} power down slope must be longer than 100 us/volt when enter into Data Retention Mode.

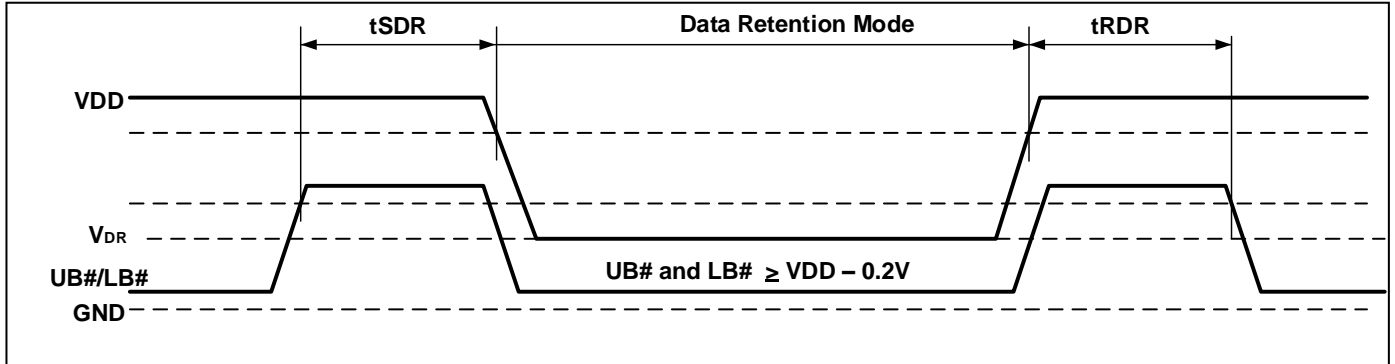
DATA RETENTION WAVEFORM (CS1# CONTROLLED)



DATA RETENTION WAVEFORM (CS2 CONTROLLED)



DATA RETENTION WAVEFORM (UB# AND LB# CONTROLLED)



ORDERING INFORMATION

IS62/65WV51216EFALL (1.65V - 2.2V)

Industrial Range: -40°C to +85°C

| Speed (ns) | Order Part No. | Package |
|------------|-------------------------|--|
| 55 | IS62WV51216EFALL-55TLI | TSOP (Type II), Lead-free |
| 55 | IS62WV51216EFALL-55BI | mini BGA (6mm x 8mm) |
| 55 | IS62WV51216EFALL-55BLI | mini BGA (6mm x 8mm), Lead-free |
| 55 | IS62WV51216EFALL-55B2I | mini BGA (6mm x 8mm), ERR1/2 Pins |
| 55 | IS62WV51216EFALL-55B2LI | mini BGA (6mm x 8mm), ERR1/2 Pins, Lead-free |
| 55 | IS62WV51216EFALL-55B3I | mini BGA (6mm x 8mm), 1 CS Option, ERR Pin |
| 55 | IS62WV51216EFALL-55B3LI | mini BGA (6mm x 8mm), 1 CS Option, ERR Pin Lead-free |

AUTOMOTIVE RANGE (A3): -40°C TO +125°C

| Speed (ns) | Order Part No. | Package |
|------------|--------------------------|---|
| 55 | IS65WV51216EFALL-55CTLA3 | TSOP (Type II), Copper Lead-frame, Lead-free |
| 55 | IS65WV51216EFALL-55BA3 | mini BGA (6mm x 8mm) |
| 55 | IS65WV51216EFALL-55BLA3 | mini BGA (6mm x 8mm), Lead-free |
| 55 | IS65WV51216EFALL-55B2A3 | mini BGA (6mm x 8mm), ERR1/2 Pins |
| 55 | IS65WV51216EFALL-55B2LA3 | mini BGA (6mm x 8mm), ERR1/2 Pins, Lead-free |
| 55 | IS65WV51216EFALL-55B3A3 | mini BGA (6mm x 8mm), 1 CS Option, ERR Pin |
| 55 | IS65WV51216EFALL-55B3LA3 | mini BGA (6mm x 8mm), 1 CS Option, ERR Pin, Lead-free |

IS62/65WV51216EBLL (2.2V - 3.6V)

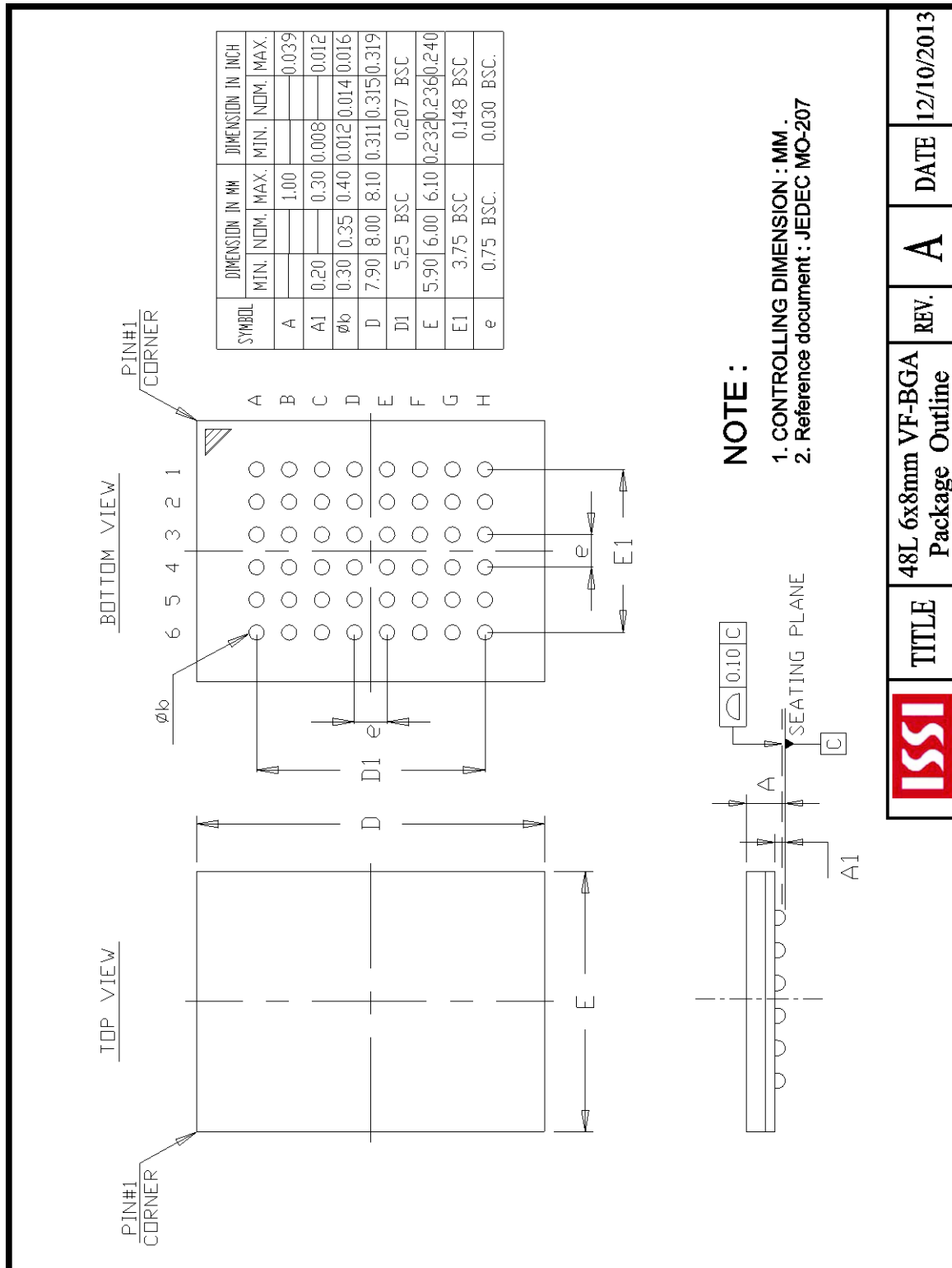
Industrial Range: -40°C to +85°C

| Speed (ns) | Order Part No. | Package |
|------------|-------------------------|---|
| 45 | IS62WV51216EFBLL-45TLI | TSOP (Type II), Lead-free |
| 45 | IS62WV51216EFBLL-45BI | mini BGA (6mm x 8mm) |
| 45 | IS62WV51216EFBLL-45BLI | mini BGA (6mm x 8mm), Lead-free |
| 45 | IS62WV51216EFBLL-45B2I | mini BGA (6mm x 8mm), ERR1/2 Pins |
| 45 | IS62WV51216EFBLL-45B2LI | mini BGA (6mm x 8mm), ERR1/2 Pins, Lead-free |
| 45 | IS62WV51216EFBLL-45B3I | mini BGA (6mm x 8mm), 1 CS Option, ERR Pin |
| 45 | IS62WV51216EFBLL-45B3LI | mini BGA (6mm x 8mm), 1 CS Option, ERR Pin, Lead-free |
| 55 | IS62WV51216EFBLL-55TLI | TSOP (Type II), Lead-free |
| 55 | IS62WV51216EFBLL-55BI | mini BGA (6mm x 8mm) |
| 55 | IS62WV51216EFBLL-55BLI | mini BGA (6mm x 8mm), Lead-free |
| 55 | IS62WV51216EFBLL-55B2I | mini BGA (6mm x 8mm), ERR1/2 Pins |
| 55 | IS62WV51216EFBLL-55B2LI | mini BGA (6mm x 8mm), ERR1/2 Pins, Lead-free |
| 55 | IS62WV51216EFBLL-55B3I | mini BGA (6mm x 8mm), 1 CS Option, ERR Pin |
| 55 | IS62WV51216EFBLL-55B3LI | mini BGA (6mm x 8mm), 1 CS Option, ERR Pin, Lead-free |

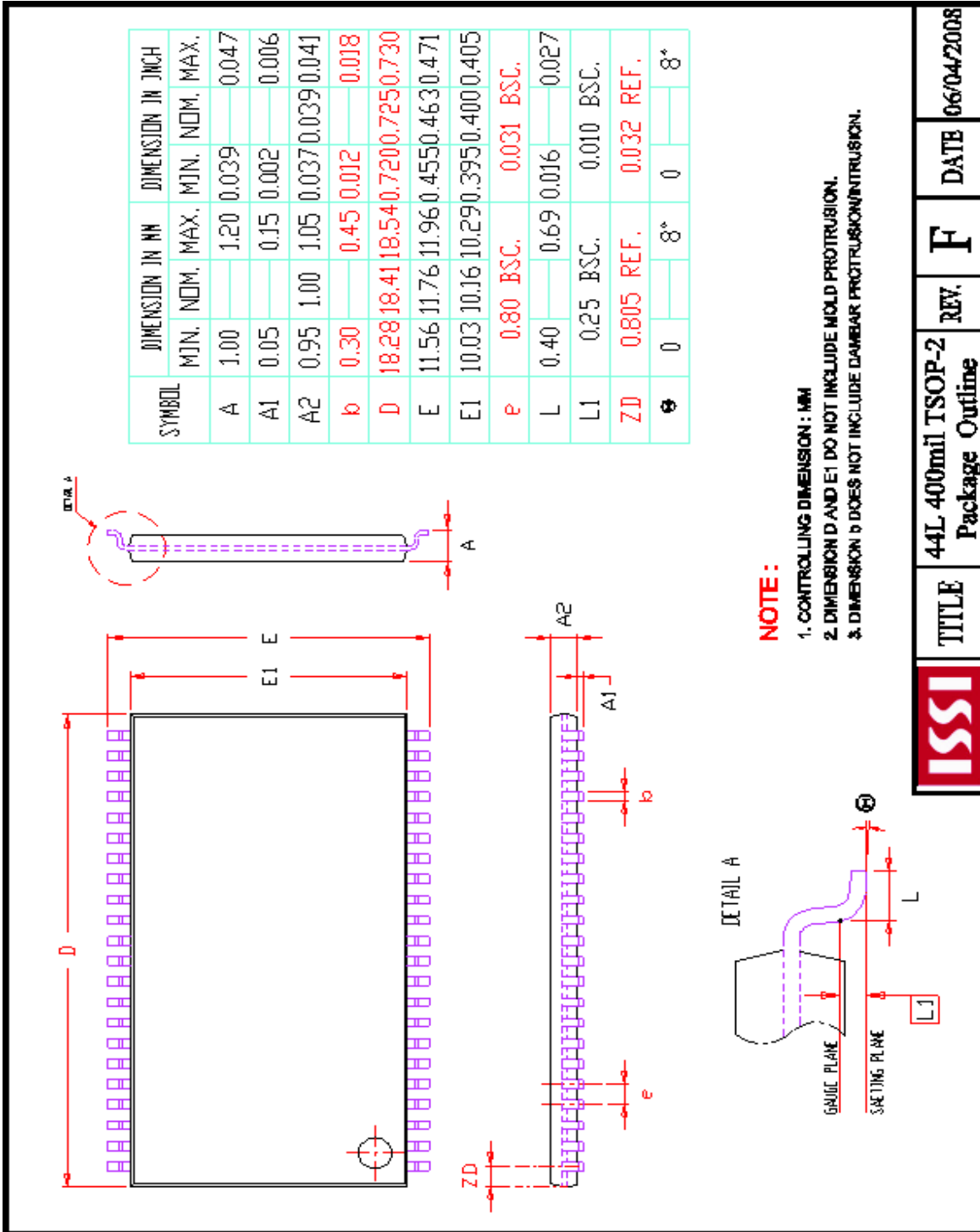
Automotive Range (A3): -40°C to +125°C

| Speed (ns) | Order Part No. | Package |
|------------|--------------------------|---|
| 55 | IS65WV51216EFBLL-55CTLA3 | TSOP (Type II), Copper Lead-frame, Lead-free |
| 55 | IS65WV51216EFBLL-55BA3 | mini BGA (6mm x 8mm) |
| 55 | IS65WV51216EFBLL-55BLA3 | mini BGA (6mm x 8mm), Lead-free |
| 55 | IS65WV51216EFBLL-55B2A3 | mini BGA (6mm x 8mm), ERR1/2 Pins |
| 55 | IS65WV51216EFBLL-55B2LA3 | mini BGA (6mm x 8mm), ERR1/2 Pins, Lead-free |
| 55 | IS65WV51216EFBLL-55B3A3 | mini BGA (6mm x 8mm), 1 CS Option, ERR Pin |
| 55 | IS65WV51216EFBLL-55B3LA3 | mini BGA (6mm x 8mm), 1 CS Option, ERR Pin, Lead-free |

PACKAGE INFORMATION



| | | | | |
|--|-------|-------------------------------------|--------|-----------------|
| | TITLE | 48L 6x8mm VF-BGA Package Outline | REV. A | DATE 12/10/2013 |
|--|-------|-------------------------------------|--------|-----------------|



| | | | |
|--|--------------------------------------|------|------------|
| | TITLE | REV. | DATE |
| | 44L 400mil TSOP-2 Package Outline | F | 06/04/2008 |



Компания «ЭлектроПласт» предлагает заключение долгосрочных отношений при поставках импортных электронных компонентов на взаимовыгодных условиях!

Наши преимущества:

- Оперативные поставки широкого спектра электронных компонентов отечественного и импортного производства напрямую от производителей и с крупнейших мировых складов;
- Поставка более 17-ти миллионов наименований электронных компонентов;
- Поставка сложных, дефицитных, либо снятых с производства позиций;
- Оперативные сроки поставки под заказ (от 5 рабочих дней);
- Экспресс доставка в любую точку России;
- Техническая поддержка проекта, помощь в подборе аналогов, поставка прототипов;
- Система менеджмента качества сертифицирована по Международному стандарту ISO 9001;
- Лицензия ФСБ на осуществление работ с использованием сведений, составляющих государственную тайну;
- Поставка специализированных компонентов (Xilinx, Altera, Analog Devices, Intersil, Interpoint, Microsemi, Aeroflex, Peregrine, Syfer, Eurofarad, Texas Instrument, Miteq, Cobham, E2V, MA-COM, Hittite, Mini-Circuits, General Dynamics и др.);

Помимо этого, одним из направлений компании «ЭлектроПласт» является направление «Источники питания». Мы предлагаем Вам помощь Конструкторского отдела:

- Подбор оптимального решения, техническое обоснование при выборе компонента;
- Подбор аналогов;
- Консультации по применению компонента;
- Поставка образцов и прототипов;
- Техническая поддержка проекта;
- Защита от снятия компонента с производства.



Как с нами связаться

Телефон: 8 (812) 309 58 32 (многоканальный)

Факс: 8 (812) 320-02-42

Электронная почта: org@eplast1.ru

Адрес: 198099, г. Санкт-Петербург, ул. Калинина, дом 2, корпус 4, литера А.