

PLEASE CHECK WWW.MOLEX.COM FOR LATEST PART INFORMATION

Part Number: [0850132828](#)
Status: **Active**
Overview: [din_41612](#)
Description: 2.54mm (.100") Pitch DIN 41612 Header, Vertical, 3-Row C-Pin, Press-Fit Style R Male, 0.6µm (24µ") Selective Gold (Au), 96 Circuits, Lead free

Documents:

[Drawing \(PDF\)](#) [RoHS Certificate of Compliance \(PDF\)](#)
[Product Specification PS-85013-0002 \(PDF\)](#)

Agency Certification

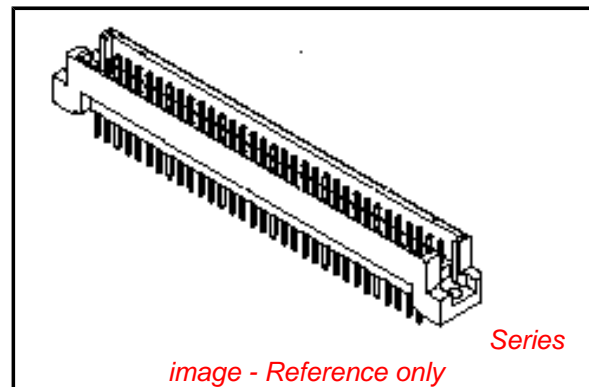
CSA LR19980
 UL E29179

General

Product Family Backplane Connectors
 Series [85013](#)
 Application Backplane
 Component Type PCB Header
 Overview [din_41612](#)
 Product Name IEC 603-2/DIN 41612
 Style R

Physical

Circuits (Loaded) 96
 Circuits (maximum) 96
 Circuits Detail Rows A, B, & C
 Color - Resin Gray
 Durability (mating cycles max) 400
 First Mate / Last Break No
 Flammability 94V-0
 Guide to Mating Part No
 Keying to Mating Part Yes
 Material - Metal Phosphor Bronze
 Material - Plating Mating Gold
 Material - Plating Termination Tin
 Material - Resin Polyester
 Number of Columns 32
 Number of Pairs Open Pin Field
 Number of Rows 3
 Orientation Vertical
 PC Tail Length (in) 0.228 In
 PC Tail Length (mm) 5.80 mm
 PCB Locator No
 PCB Retention Yes
 PCB Thickness Recommended (in) 0.063 In, 0.157 In
 PCB Thickness Recommended (mm) 1.60 mm, 4.00 mm
 Packaging Type Tray
 Pitch - Mating Interface (in) 0.100 In
 Pitch - Mating Interface (mm) 2.54 mm
 Pitch - Term. Interface (in) 0.100 In
 Pitch - Term. Interface (mm) 2.54 mm
 Plating min: Mating (µin) 24
 Plating min: Mating (µm) 0.6
 Plating min: Termination (µin) 16
 Plating min: Termination (µm) 0.4



EU RoHS

ELV and RoHS Compliant
REACH SVHC
 Not Reviewed
Halogen-Free Status
Not Reviewed

China RoHS



Need more information on product environmental compliance?

Email productcompliance@molex.com
 For a multiple part number RoHS Certificate of Compliance, [click here](#)

Please visit the [Contact Us](#) section for any non-product compliance questions.

Search Parts in this Series

[85013Series](#)

Mates With

[85042](#) DIN 41612 Receptacle . [85052](#) DIN 41612 Header

Polarized to PCB	No
Stackable	No
Surface Mount Compatible (SMC)	No
Temperature Range - Operating	-55°C to +125°C
Termination Interface: Style	Through Hole - Compliant Pin

Electrical

Current - Maximum per Contact	1A
Data Rate	622.0 Mbps
Real Signals (per 25mm)	30
Shielded	No
Voltage - Maximum	1000V (RMS)

Material Info

Reference - Drawing Numbers

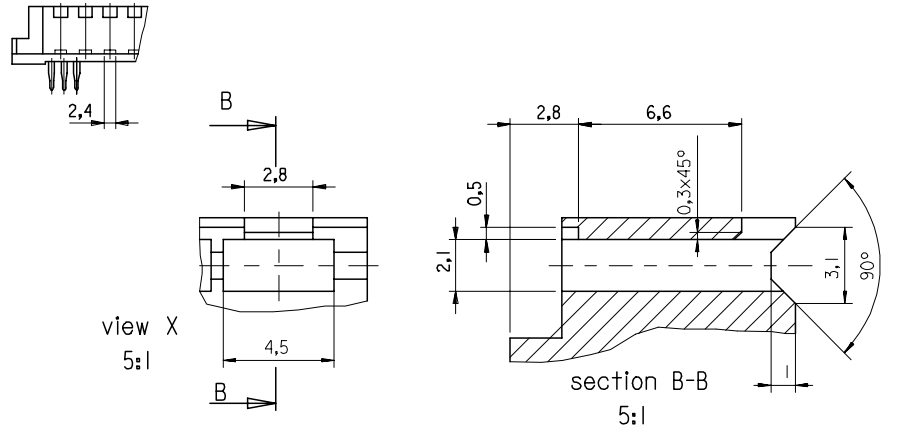
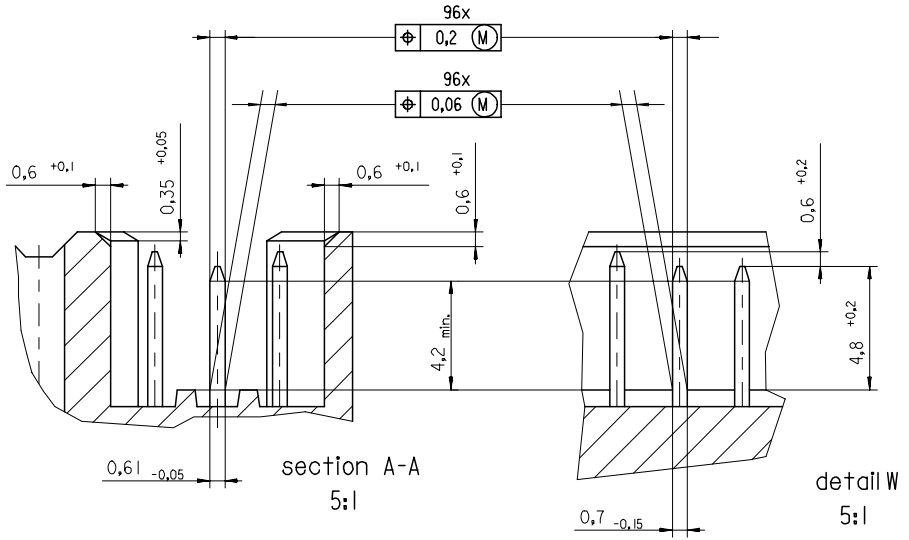
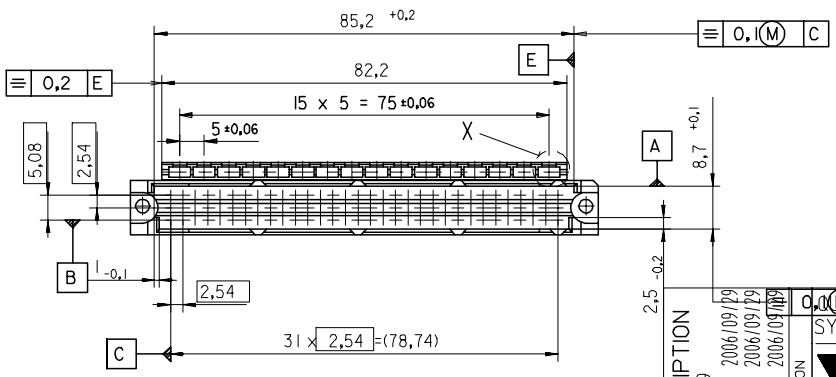
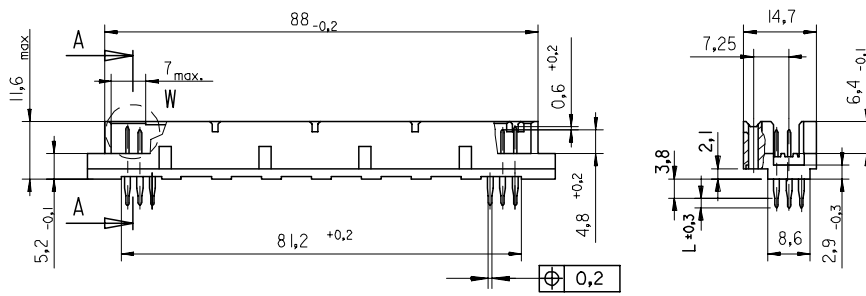
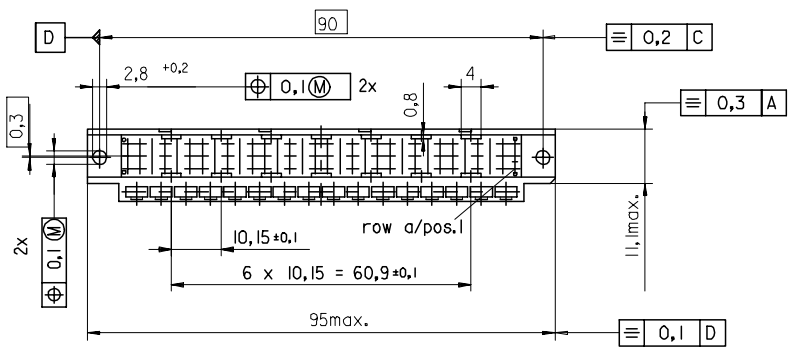
Packaging Specification	PK-85013-001
Product Specification	PS-85013-0002
Sales Drawing	601-6043-202

This document was generated on 05/17/2010

PLEASE CHECK WWW.MOLEX.COM FOR LATEST PART INFORMATION

10 9 8 7 6 5 4 3 2 1

F
E
D
C
B
A



ENTER DESCRIPTION	2006/09/29	0.00 (M) (B)
EC NO: I2007-0159	2006/09/29	SYMBOLS
DRWN: SURENGG	2006/09/29	▽=0
CHKD: SSUDHIR	2006/09/29	∇=0
APPR: SSUDHIR	2006/09/29	
REV	DESCRIPTION	
A2		

GENERAL TOLERANCES (UNLESS SPECIFIED)	
mm	INCH
4 PLACES ±---	±---
3 PLACES ±---	±---
2 PLACES ±---	±---
1 PLACE ±---	±---
ANGULAR ±---°	
DRAFT WHERE APPLICABLE MUST REMAIN WITHIN DIMENSIONS	

DIMENSION STYLE	
MM ONLY	
DRAWN BY	DATE
CA	
CHECKED BY	DATE
KN	
APPROVED BY	DATE
KN	
MATERIAL NO.	
SEE CHART	
SIZE	
A3	

SCALE	DESIGN UNITS	THIRD ANGLE PROJECTION
---	METRIC	
TITLE		
96 POS.MALE CONNECTOR		
DIN 41612 STYLE RIC-PIN		
BERG-COD./PRE-MATING CKT		
MOLEX INCORPORATED		
DOCUMENT NO.	SHEET NO.	
601-6043-202	1 OF 3	

9 8 7 6 5 4 3 2 1

F

E

D

C

B

A

96P-6043-072U-7-BE113	85013-2995	yes	2/flash	Wire wrap	13,3	1,2,3...32	a+b+c	a/b/c2	ACTIVE
96P-6043-072U-6-B	85013-2971	yes	2/flash	Wire wrap	16,4	1,2,3...32	a+b+c	-----	ACTIVE
96P-6043-072U-7-BE61	85013-2969	yes	2/flash	Wire wrap	13,3	1,2,3...32	a+b+c	a/c1+32, b1+3+30+32	ACTIVE
96P-6043-072U-7-B	85013-2957	yes	2/flash	Wire wrap	13,3	1,2,3...32	a+b+c	-----	ACTIVE
96P-6043-072V-9-BE113	85013-2828	no	2	-----	2	1,2,3...32	a+b+c	a/b/c2	ACTIVE
96P-6043-072M-8-B	85013-2610	yes	2/2	Wire wrap	9,4	1,2,3...32	a+b+c	-----	VOID
96P-6043-0732-7-BE113	85013-1926	no	2/flash	Wire wrap	13,3	1,2,3...32	a+b+c	a/b/c2	ACTIVE
96P-6043-072V-9-B	85013-1457	yes	2	-----	2	1,2,3...32	a+b+c	-----	ACTIVE
96P-6043-0732-7-BE61	85013-0866	no	2/flash	Wire wrap	13,3	1,2,3...32	a+b+c	a/c1+32, b1+3+30+32	ACTIVE
96P-6043-0732-7-B	85013-0842	no	2/flash	Wire wrap	13,3	1,2,3...32	a+b+c	-----	ACTIVE
96P-6043-0732-6-B	85013-0830	no	2/flash	Wire wrap	16,4	1,2,3...32	a+b+c	-----	ACTIVE
96P-6043-072V-8-B	85013-0775	yes	2	Wire wrap	9,4	1,2,3...32	a+b+c	-----	ACTIVE
Engineering number	Ordering code	Molex std.	Perf.level hard gold acc. MIL-G45204	Termination	Contact sequence/row	Position of pre-mating contacts	PART STATUS		

RoHS COMPLIANT

ENTER DESCRIPTION EC NO: I2007-0159 DRWN: SURENGG 2006/09/29 CHKD: SSUDHIR 2006/09/29 APPR: SSUDHIR 2006/09/29	QUALITY SYMBOLS	GENERAL TOLERANCES (UNLESS SPECIFIED)	DIMENSION STYLE MM ONLY	SCALE ---	DESIGN UNITS METRIC	THIRD ANGLE PROJECTION																		
	▽=0 ▽=0	<table border="1"> <tr> <th></th> <th>mm</th> <th>INCH</th> </tr> <tr> <td>4 PLACES</td> <td>±---</td> <td>±---</td> </tr> <tr> <td>3 PLACES</td> <td>±---</td> <td>±---</td> </tr> <tr> <td>2 PLACES</td> <td>±---</td> <td>±---</td> </tr> <tr> <td>1 PLACE</td> <td>±---</td> <td>±---</td> </tr> <tr> <td>ANGULAR</td> <td colspan="2">±---°</td> </tr> </table>		mm	INCH	4 PLACES	±---	±---	3 PLACES	±---	±---	2 PLACES	±---	±---	1 PLACE	±---	±---	ANGULAR	±---°		DRAWN BY: CA CHECKED BY: KN APPROVED BY:	DATE:	TITLE: 96 POS.MALE CONNECTOR ACC. TO DIN41612 C-PIN STYLE R	MOLEX INCORPORATED
		mm	INCH																					
	4 PLACES	±---	±---																					
3 PLACES	±---	±---																						
2 PLACES	±---	±---																						
1 PLACE	±---	±---																						
ANGULAR	±---°																							
DRAFT WHERE APPLICABLE MUST REMAIN WITHIN DIMENSIONS	SEE CHART	MATERIAL NO.	DOCUMENT NO. 601-6043-202	SHEET NO. 2 OF 3																				
A2	REV	THIS DRAWING CONTAINS INFORMATION THAT IS PROPRIETARY TO MOLEX INCORPORATED AND SHOULD NOT BE USED WITHOUT WRITTEN PERMISSION																						

- 1. General : Technical Data
96 pos. Male connector acc. DIN 41612 style R (C-Pin)
with Berg coding device and extended pins
- 2. Material :
- 2.1 Molding material : Thermoplastic Polyester GV30 grey RAL 7032
- 2.1.1 Molding material :
burning properties acc. to UL94 V0
- 2.1.2 Resistance against solvents : good
- 2.2 Pin contact : CuSn
- 2.2.1 Contact plating : Performance level I or II (Test acc. DIN 41612 part 5)
- 3. Printing : Part.No., date of manufacturing

ENTER DESCRIPTION EC NO: I2007-0159 DRWN: SURENGG 2006/09/29 CHKD: SSUDHIR 2006/09/29 APPR: SSUDHIR 2006/09/29	QUALITY SYMBOLS ▽=0 ▽=0	GENERAL TOLERANCES (UNLESS SPECIFIED)		DIMENSION STYLE MM ONLY		SCALE ---	DESIGN UNITS METRIC	THIRD ANGLE PROJECTION		
			mm	INCH	DRAWN BY CA	DATE	TITLE 96 POS.MALE CONNECTOR ACC_DIN41612 R(C-PIN) DATA			
		4 PLACES	±---	±---	CHECKED BY KN	DATE				
		3 PLACES	±---	±---	APPROVED BY		DATE	MOLEX INCORPORATED		
2 PLACES	±---	±---	MATERIAL NO.		DATE	DOCUMENT NO. 601-6043-202				
1 PLACE	±---	±---	ANGULAR ±---°		SIZE A3		THIS DRAWING CONTAINS INFORMATION THAT IS PROPRIETARY TO MOLEX INCORPORATED AND SHOULD NOT BE USED WITHOUT WRITTEN PERMISSION			
DRAFT WHERE APPLICABLE MUST REMAIN WITHIN DIMENSIONS				SEE CHART						



Компания «ЭлектроПласт» предлагает заключение долгосрочных отношений при поставках импортных электронных компонентов на взаимовыгодных условиях!

Наши преимущества:

- Оперативные поставки широкого спектра электронных компонентов отечественного и импортного производства напрямую от производителей и с крупнейших мировых складов;
- Поставка более 17-ти миллионов наименований электронных компонентов;
- Поставка сложных, дефицитных, либо снятых с производства позиций;
- Оперативные сроки поставки под заказ (от 5 рабочих дней);
- Экспресс доставка в любую точку России;
- Техническая поддержка проекта, помощь в подборе аналогов, поставка прототипов;
- Система менеджмента качества сертифицирована по Международному стандарту ISO 9001;
- Лицензия ФСБ на осуществление работ с использованием сведений, составляющих государственную тайну;
- Поставка специализированных компонентов (Xilinx, Altera, Analog Devices, Intersil, Interpoint, Microsemi, Aeroflex, Peregrine, Syfer, Eurofarad, Texas Instrument, Miteq, Cobham, E2V, MA-COM, Hittite, Mini-Circuits, General Dynamics и др.);

Помимо этого, одним из направлений компании «ЭлектроПласт» является направление «Источники питания». Мы предлагаем Вам помощь Конструкторского отдела:

- Подбор оптимального решения, техническое обоснование при выборе компонента;
- Подбор аналогов;
- Консультации по применению компонента;
- Поставка образцов и прототипов;
- Техническая поддержка проекта;
- Защита от снятия компонента с производства.



Как с нами связаться

Телефон: 8 (812) 309 58 32 (многоканальный)

Факс: 8 (812) 320-02-42

Электронная почта: org@eplast1.ru

Адрес: 198099, г. Санкт-Петербург, ул. Калинина, дом 2, корпус 4, литера А.