

## General Description

The MAX6351–MAX6360 microprocessor (µP) supervisors with multiple reset voltages significantly improve system reliability and accuracy compared to separate ICs or discrete components. If any input supply voltage drops below its associated preset threshold, all reset outputs are asserted. In addition, the outputs are valid as long as either input supply voltage remains greater than +1.0V.

All devices in this series have an active-low debounced manual-reset input. In addition, the MAX6358/MAX6359/MAX6360 offer a watchdog timer input with a 46.4s startup timeout period and a 2.9s timeout period. The MAX6355/MAX6356/MAX6357 offer an additional voltage-monitor input to monitor a third voltage.

The MAX6351 features two active-low, push-pull reset outputs, one is referenced to  $V_{CC1}$  and the other is referenced to  $V_{CC2}$ . The MAX6353/MAX6356/MAX6359 offer an active-low, push-pull reset output referenced to  $V_{CC1}$ . The MAX6354/MAX6357/MAX6360 offer an active-low, push-pull reset output referenced to  $V_{CC2}$ .

All these devices are offered with a wide variety of voltage threshold levels, as shown in the *Voltage-Threshold Levels* table. They are available in 5- and 6-pin SOT23 packages and operate over the extended (-40°C to +85°C) temperature range.

## Voltage Threshold Levels

PART NO. SUFFIX ( _ _ )	$V_{CC1}$ NOMINAL VOLTAGE THRESHOLD (V)	$V_{CC2}$ NOMINAL VOLTAGE THRESHOLD (V)
LT	4.63	3.08
<b>LS</b>	<b>4.63</b>	<b>2.93</b>
LR	4.63	2.63
MT	4.38	3.08
MS	4.38	2.93
MR	4.38	2.63
<b>TZ</b>	<b>3.08</b>	<b>2.32</b>
TY	3.08	2.19
<b>TW</b>	<b>3.08</b>	<b>1.67</b>
TV	3.08	1.58
SZ	2.93	2.32
<b>SY</b>	<b>2.93</b>	<b>2.19</b>
SW	2.93	1.67
<b>SV</b>	<b>2.93</b>	<b>1.58</b>
UW	2.78	1.67
UV	2.78	1.58
RW	2.63	1.67
<b>RV</b>	<b>2.63</b>	<b>1.58</b>

**Note:** Standard versions are shown in **bold**. Sample stock is generally held on the standard versions only. Contact factory for availability.

## Features

- Precision Monitoring of Multiple +1.8V, +2.5V, +3.0V, +3.3V, and +5V Power-Supply Voltages
- Precision Factory-Set Power-Supply Reset Thresholds
- 20µA Supply Current
- 100ms min Power-On-Reset Pulse Width
- Debounced TTL/CMOS-Compatible Manual-Reset Input
- Watchdog Timer
  - 46.4s Startup Timeout
  - 2.9s Normal Timeout
- Fully Guaranteed Over Temperature
- Guaranteed  $\overline{\text{RESET}}$  Valid to  $V_{CC1} = 1V$  or  $V_{CC2} = 1V$
- Power-Supply Transient Immunity
- No External Components for Dual-Voltage Systems
- Small 5- and 6-Pin SOT23 Packages
- Low Cost

## Applications

- Computers
- Controllers
- Portable/Battery-Powered Equipment
- Intelligent Instruments
- Multivoltage Systems

## Ordering Information

PART	TEMP RANGE	PIN-PACKAGE
MAX6351_ _UT-T	-40°C to +85°C	6 SOT23
MAX6352_ _UK-T	-40°C to +85°C	5 SOT23
MAX6353_ _UK-T	-40°C to +85°C	5 SOT23
MAX6354_ _UK-T	-40°C to +85°C	5 SOT23
MAX6355_ _UT-T	-40°C to +85°C	6 SOT23
MAX6356_ _UT-T	-40°C to +85°C	6 SOT23
MAX6357_ _UT-T	-40°C to +85°C	6 SOT23
MAX6358_ _UT-T	-40°C to +85°C	6 SOT23
MAX6359_ _UT-T	-40°C to +85°C	6 SOT23
MAX6360_ _UT-T	-40°C to +85°C	6 SOT23

\*The \_ \_ are placeholders for the threshold voltage levels of the devices. Substitute the part number suffix in the Voltage Threshold Levels table for the desired voltage level. All devices are available in tape-and-reel only. There is a 2500 piece minimum order increment for the SOT package.

Devices are available in both leaded and lead(Pb)-free packaging. Specify lead-free by replacing "-T" with "+T" when ordering.

**Pin Configurations appear at end of data sheet.**  
**Selector Guide appears at end of data sheet.**

**Absolute Maximum Ratings**

V <sub>CC1</sub> , V <sub>CC2</sub> to GND .....	-0.3V to +6V	Input/Output Current, All Pins.....	20mA
RST (MAX6352/MAX6355/MAX6358) .....	-0.3V to +6V	Continuous Power Dissipation (T <sub>A</sub> = +70°C)	
RST, MR, WDI, RST1, RSTIN (MAX6351/MAX6353/ MAX6356/MAX6359).....	-0.3V to (V <sub>CC1</sub> + 0.3V)	5-Pin SOT23 (derate 7.1mW/°C above +70°C) .....	571mW
RST, RST2 (MAX6351/MAX6354/ MAX6357/MAX6360).....	-0.3V to (V <sub>CC2</sub> + 0.3V)	6-Pin SOT23 (derate 8.7mW/°C above +70°C) .....	695mW
		Operating Temperature Range.....	-40°C to +85°C
		Junction Temperature.....	+150°C
		Storage Temperature Range.....	-65°C to +150°C

Stresses beyond those listed under "Absolute Maximum Ratings" may cause permanent damage to the device. These are stress ratings only, and functional operation of the device at these or any other conditions beyond those indicated in the operational sections of the specifications is not implied. Exposure to absolute maximum rating conditions for extended periods may affect device reliability.

**Electrical Characteristics**

(V<sub>CC1</sub> = V<sub>CC2</sub> = +1.2V to +5.5V, T<sub>A</sub> = -40°C to +85°C, unless otherwise noted. Typical values are at T<sub>A</sub> = +25°C.) (Note 1)

PARAMETER	SYMBOL	CONDITIONS		MIN	TYP	MAX	UNITS
Supply Voltage (Note 2)	V <sub>CC1</sub> , V <sub>CC2</sub>	T <sub>A</sub> = 0°C to +70°C		1.0		5.5	V
		T <sub>A</sub> = -40°C to +85°C		1.2		5.5	
Supply Current	I <sub>CC1</sub> + I <sub>CC2</sub>	V <sub>CC1</sub> = 5.5V, V <sub>CC2</sub> = 3.6V, all I/O pins open			20	50	µA
V <sub>CC1</sub> Threshold (Note 3)	V <sub>TH1</sub>	MAX63__L__	T <sub>A</sub> = +25°C	4.54	4.63	4.72	V
			T <sub>A</sub> = -40°C to +85°C	4.5		4.75	
		MAX63__M__	T <sub>A</sub> = +25°C	4.3	4.38	4.46	
			T <sub>A</sub> = -40°C to +85°C	4.25		4.50	
		MAX63__T__	T <sub>A</sub> = +25°C	3.03	3.08	3.14	
			T <sub>A</sub> = -40°C to +85°C	3.00		3.15	
		MAX63__S__	T <sub>A</sub> = +25°C	2.88	2.93	2.98	
			T <sub>A</sub> = -40°C to +85°C	2.85		3.00	
		MAX63__U__	T <sub>A</sub> = +25°C	2.74	2.78	2.82	
			T <sub>A</sub> = -40°C to +85°C	2.70		2.85	
		MAX63__R__	T <sub>A</sub> = +25°C	2.58	2.63	2.68	
			T <sub>A</sub> = -40°C to +85°C	2.55		2.70	
V <sub>CC2</sub> Threshold (Note 3)	V <sub>TH2</sub>	MAX63___T	T <sub>A</sub> = +25°C	3.03	3.08	3.14	V
			T <sub>A</sub> = -40°C to +85°C	3.00		3.15	
		MAX63___S	T <sub>A</sub> = +25°C	2.88	2.93	2.98	
			T <sub>A</sub> = -40°C to +85°C	2.85		3.00	
		MAX63___R	T <sub>A</sub> = +25°C	2.58	2.63	2.68	
			T <sub>A</sub> = -40°C to +85°C	2.55		2.70	
		MAX63___Z	T <sub>A</sub> = +25°C	2.28	2.32	2.35	
			T <sub>A</sub> = -40°C to +85°C	2.25		2.38	
		MAX63___Y	T <sub>A</sub> = +25°C	2.16	2.19	2.22	
			T <sub>A</sub> = -40°C to +85°C	2.13		2.25	
		MAX63___W	T <sub>A</sub> = +25°C	1.64	1.67	1.70	
			T <sub>A</sub> = -40°C to +85°C	1.62		1.71	
MAX63___V	T <sub>A</sub> = +25°C	1.55	1.58	1.61			
	T <sub>A</sub> = -40°C to +85°C	1.53		1.62			

## Electrical Characteristics (continued)

(V<sub>CC1</sub> = V<sub>CC2</sub> = +1.2V to +5.5V, T<sub>A</sub> = -40°C to +85°C, unless otherwise noted. Typical values are at T<sub>A</sub> = +25°C.) (Note 1)

PARAMETER	SYMBOL	CONDITIONS	MIN	TYP	MAX	UNITS
Reset Threshold Tempco	$\Delta V_{TH}/^{\circ}\text{C}$			20		ppm/ $^{\circ}\text{C}$
Reset Threshold Hysteresis				$V_{TH}/500$		V
V <sub>CC</sub> to Reset Delay		100mV overdrive		20		μs
Reset Timeout Period	t <sub>RP</sub>	V <sub>CC1</sub> > V <sub>TH1</sub> (MAX), V <sub>CC2</sub> > V <sub>TH2</sub> (MAX)	100	180	280	ms
$\overline{\text{RESET}}$ Output Voltage Low	V <sub>OL</sub>	V <sub>CC1</sub> or V <sub>CC2</sub> ≥ 2.7V, I <sub>SINK</sub> = 1.2mA			0.3	V
		V <sub>CC1</sub> or V <sub>CC2</sub> ≥ 4.5V, I <sub>SINK</sub> = 3.2mA			0.4	
		V <sub>CC1</sub> or V <sub>CC2</sub> ≥ 1V, I <sub>SINK</sub> = 50μA, T <sub>A</sub> = 0°C to +70°C			0.3	
		V <sub>CC1</sub> or V <sub>CC2</sub> ≥ 1.2V, I <sub>SINK</sub> = 50μA; T <sub>A</sub> = -40°C to +85°C			0.3	
$\overline{\text{RESET}}$ Output-Voltage High (MAX6351/MAX6353/MAX6354/ MAX6356/MAX6357/MAX6359/ MAX6360 only)	V <sub>OH</sub>	(_W, _V versions only), V <sub>CC1</sub> > V <sub>TH1</sub> (MAX), V <sub>CC2</sub> > V <sub>TH2</sub> (MAX)	I <sub>SOURCE</sub> = 350μA	0.8 × V <sub>CC</sub>		V
		(_Y versions only), V <sub>CC1</sub> > V <sub>TH1</sub> (MAX), V <sub>CC2</sub> > V <sub>TH2</sub> (MAX)	I <sub>SOURCE</sub> = 500μA	0.8 × V <sub>CC</sub>		
		(_T, _S, _R versions only), V <sub>CC1</sub> > V <sub>TH1</sub> (MAX), V <sub>CC2</sub> > V <sub>TH2</sub> (MAX)	I <sub>SOURCE</sub> = 800μA	V <sub>CC</sub> - 1.5		
<b>WATCHDOG INPUT (MAX6358/MAX6359/MAX6360)</b>						
Watchdog Timeout Period	t <sub>WD</sub>	First timeout period after reset	25.6	46.4	72.0	s
		After first WDI falling edge	1.6	2.9	4.5	
WDI Pulse Width (Note 4)	t <sub>WDI</sub>	V <sub>IL</sub> = 0.4V, V <sub>IH</sub> = 0.8 × V <sub>CC</sub>	50			ns
WDI Input Voltage (Note 5)	V <sub>IL</sub>	V <sub>CC1</sub> = 5V	0.3 × V <sub>CC</sub>			V
	V <sub>IH</sub>		0.65 × V <sub>CC</sub>			
WDI Input Current (Note 6)		V <sub>WDI</sub> = V <sub>CC</sub>		120	160	μA
		V <sub>WDI</sub> = 0	-20	-15		
<b>MANUAL RESET INPUT</b>						
$\overline{\text{MR}}$ Input Voltage	V <sub>IL</sub>	MAX63__L_, MAX63__M_, V <sub>CC1</sub> > V <sub>TH1</sub> (MAX)	0.8			V
	V <sub>IH</sub>	MAX63__L_, MAX63__M_, V <sub>CC1</sub> > V <sub>TH1</sub> (MAX)	2.3			
	V <sub>IL</sub>	MAX63__Y_, V <sub>CC1</sub> > V <sub>TH1</sub> (MAX)	0.3 × V <sub>CC</sub>			
	V <sub>IH</sub>	MAX63__Y_, V <sub>CC1</sub> > V <sub>TH1</sub> (MAX)	0.7 × V <sub>CC</sub>			

**Electrical Characteristics (continued)**

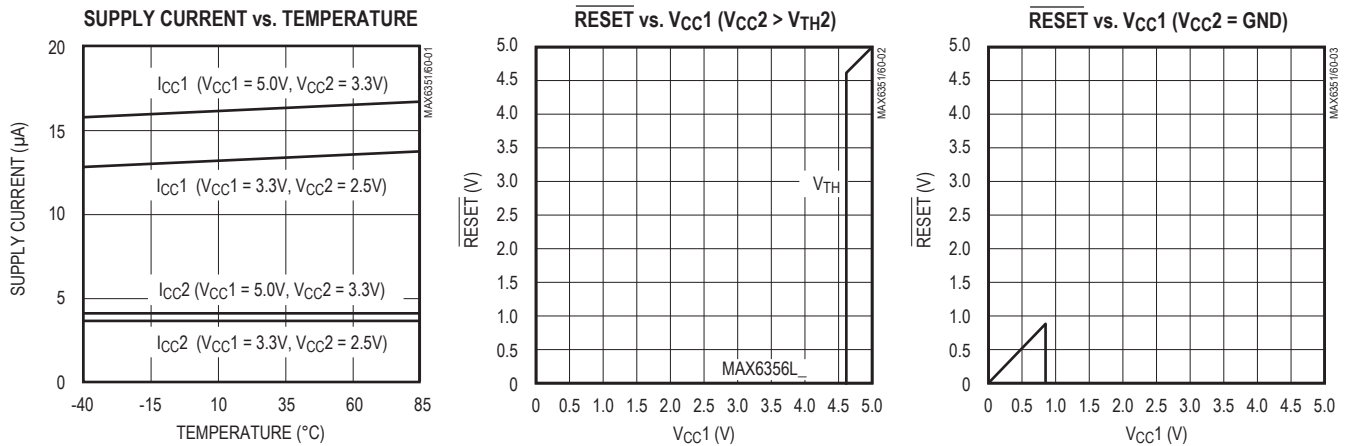
(V<sub>CC1</sub> = V<sub>CC2</sub> = +1.2V to +5.5V, T<sub>A</sub> = -40°C to +85°C, unless otherwise noted. Typical values are at T<sub>A</sub> = +25°C.) (Note 1)

PARAMETER	SYMBOL	CONDITIONS	MIN	TYP	MAX	UNITS	
$\overline{\text{MR}}$ Pullup Resistance			32	63.5	100	kΩ	
$\overline{\text{MR}}$ Minimum Pulse Width	t <sub>RP</sub>		1			μs	
$\overline{\text{MR}}$ Glitch Rejection				100		ns	
$\overline{\text{MR}}$ to Reset Delay	t <sub>MD</sub>			0.1		μs	
<b>ADJUSTABLE RESET COMPARATOR INPUT (MAX6355/MAX6356/MAX6357)</b>							
RSTIN Input Threshold	V <sub>RSTIN</sub>	V <sub>CC1</sub> > V <sub>TH1</sub> (MAX), V <sub>CC2</sub> > V <sub>TH2</sub> (MAX)	T <sub>A</sub> = +25°C	1.20	1.22	1.24	V
			T <sub>A</sub> = -40°C to +85°C	1.19		1.25	
RSTIN Input Current	I <sub>RSTIN</sub>	0 < V <sub>RSTIN</sub> < V <sub>CC1</sub> - 0.3V	-25		25	nA	
RSTIN Hysteresis				2.5		mV	

- Note 1:** Overtemperature limits are guaranteed by design and not production tested.
- Note 2:** The reset output is guaranteed to be in the correct state if either V<sub>CC1</sub> or V<sub>CC2</sub> is within its specified region of operation.
- Note 3:** The reset output(s) is asserted if either V<sub>CC1</sub> or V<sub>CC2</sub> drops below its associated trip point.
- Note 4:** Guaranteed by design. Not production tested.
- Note 5:** WDI is internally serviced within the watchdog timeout period if WDI is left unconnected.
- Note 6:** The WDI input current is specified as the average input current when the WDI input is driven high or low.

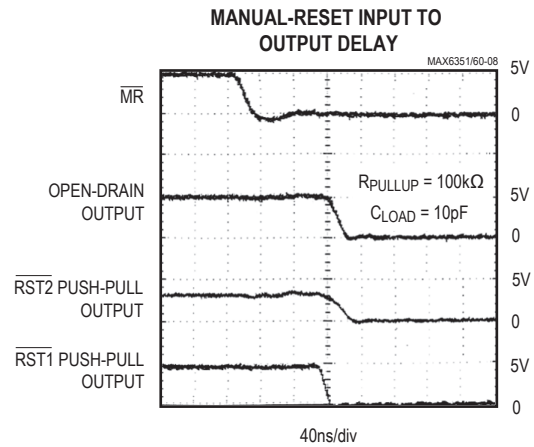
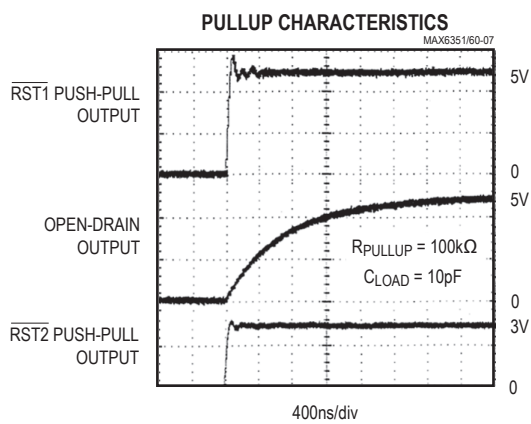
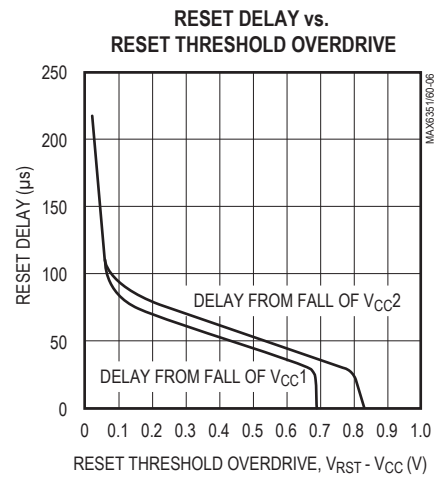
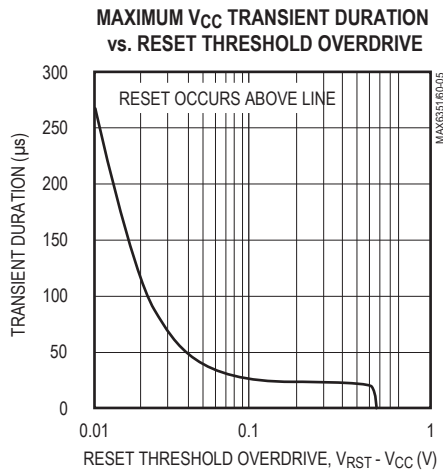
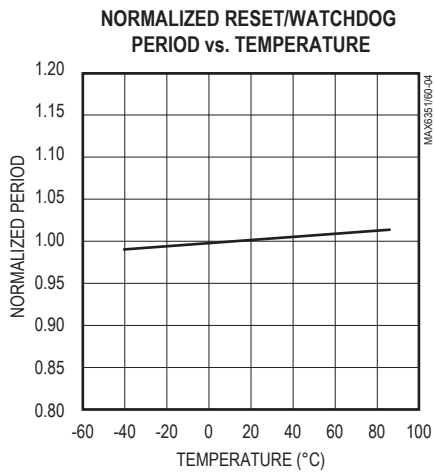
**Typical Operating Characteristics**

(V<sub>CC1</sub> = +5V, T<sub>A</sub> = +25°C, unless otherwise noted.)



Typical Operating Characteristics (continued)

( $V_{CC1} = +5V$ ,  $T_A = +25^\circ C$ , unless otherwise noted.)



## Pin Description

MAX6351	PIN			NAME	DESCRIPTION
	MAX6352 MAX6353 MAX6354	MAX6355 MAX6356 MAX6357	MAX6358 MAX6359 MAX6360		
1	—	—	—	$\overline{\text{RST1}}$	Active-Low, CMOS Reset Output Referenced to $V_{\text{CC1}}$
—	1	1	1	$\overline{\text{RST}}$	Active-Low Reset Output. Open drain for the MAX6352/MAX6355/MAX6358, push-pull with respect to $V_{\text{CC1}}$ for the MAX6353/MAX6356/MAX6359, and push-pull with respect to $V_{\text{CC2}}$ for the MAX6354/MAX6357/MAX6360.
2	2	2	2	GND	Ground
3	3	3	3	$\overline{\text{MR}}$	Manual-Reset Input. Pull low to force a reset. $\overline{\text{RST}}$ , $\overline{\text{RST1}}$ , and $\overline{\text{RST2}}$ remain active as long as $\overline{\text{MR}}$ is low and for the timeout period after $\overline{\text{MR}}$ goes high. Leave unconnected or connect to $V_{\text{CC1}}$ if unused. $V_{\overline{\text{MR}}}$ must not exceed $V_{\text{CC1}}$ .
4	4	4	4	$V_{\text{CC2}}$	Supply Input. Powers the device when it is above $V_{\text{CC1}}$ and monitors its own voltage.
5	—	—	—	$\overline{\text{RST2}}$	Active-Low, CMOS Reset Output Referenced to $V_{\text{CC2}}$
—	—	5	—	RSTIN	Undervoltage-Reset Comparator Input. Asserts reset when the monitored voltage falls below 1.22V. Set the reset threshold with an external resistive divider. Connect to $V_{\text{CC1}}$ if unused. $V_{\text{RSTIN}}$ must not exceed $V_{\text{CC1}}$ .
—	—	—	5	WDI	Watchdog Input. If WDI remains either high or low longer than the timeout period, then reset is triggered. The timer clears when reset is asserted or whenever WDI sees a rising or falling edge. Leave unconnected to disable if unused.
6	5	6	6	$V_{\text{CC1}}$	Supply Input. Powers the device when it is above $V_{\text{CC2}}$ and monitors its own voltage.

Detailed Description

Supply Voltages

The MAX6351–MAX6360 microprocessor (μP) supervisory circuits maintain system integrity by alerting the μP to fault conditions. These ICs monitor multiple-supply systems. The output reset state is guaranteed to remain viable while either V<sub>CC1</sub> or V<sub>CC2</sub> is above +1V.

Threshold Levels

All the possible input voltage threshold-level combinations are indicated by a two-letter code in the *Voltage Threshold Levels* table.

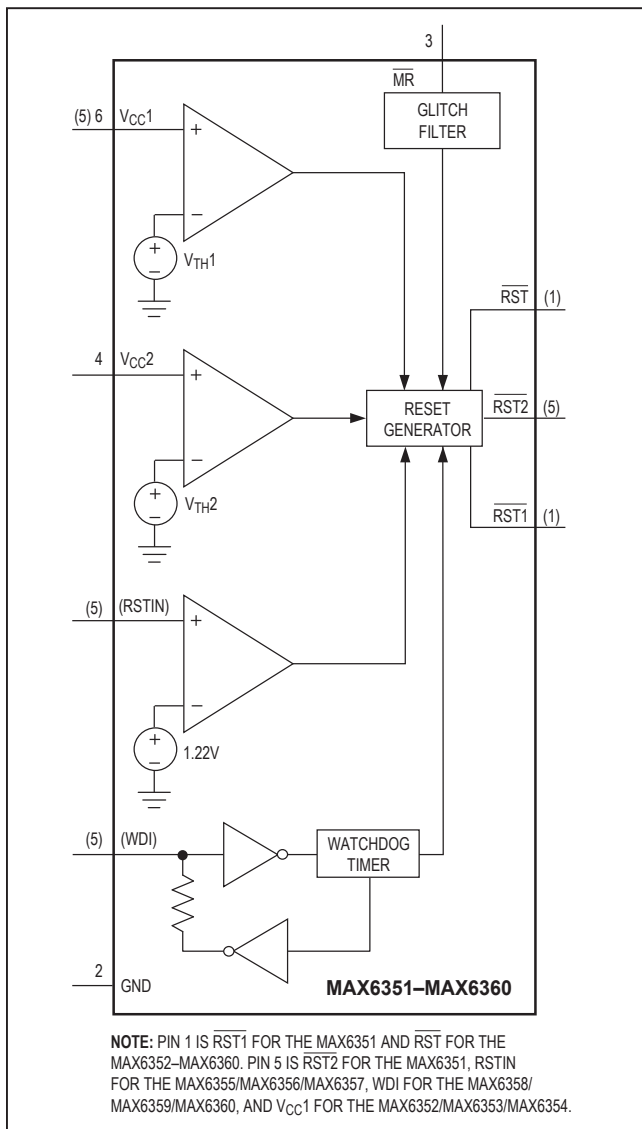


Figure 1. Functional Diagram

Reset Outputs

The MAX6351 provides two active-low, push-pull reset outputs, one corresponding to each of its two monitored voltages. The MAX6353/MAX6356/MAX6359 have an active-low, push-pull reset output that is referenced to V<sub>CC1</sub>. The MAX6354/MAX6357/MAX6360 have an active-low, push-pull reset output that is referenced to V<sub>CC2</sub>. The MAX6352/MAX6355/MAX6358 provide an active-low open-drain reset. The reset outputs are maintained as long as at least one of the supplies is above +1V.

Negative-Going V<sub>CC</sub> Transients

The MAX6351–MAX6360 are designed to ignore short negative-going V<sub>CC1</sub> and V<sub>CC2</sub> transients. See the Maximum V<sub>CC</sub> Transient Duration vs. Reset Threshold Overdrive graph in the *Typical Operating Characteristics*.

Third Input Voltage  
(MAX6355/MAX6356/MAX6357)

The MAX6355/MAX6356/MAX6357 provide an additional input to monitor a third voltage. The threshold voltage at RSTIN is typically 1.22V. To monitor a voltage higher than 1.22V, connect a resistive divider to the circuit, as shown in Figure 2. The threshold at V<sub>EXT</sub> is:

$$V_{EXT\_TH} = 1.22V \left( \frac{R1 + R2}{R2} \right)$$

Note that RSTIN is powered by V<sub>CC1</sub>, and its voltage must therefore remain lower than or equal to V<sub>CC1</sub>.

Watchdog Input  
(MAX6358/MAX6359/MAX6360)

The MAX6358/MAX6359/MAX6360 include a dual-mode watchdog timer to monitor μP activity. The flexible timeout architecture provides a startup mode, allowing complicated systems to complete lengthy boots, and a normal mode, allowing the supervisor to provide quick alerts when processor activity fails.

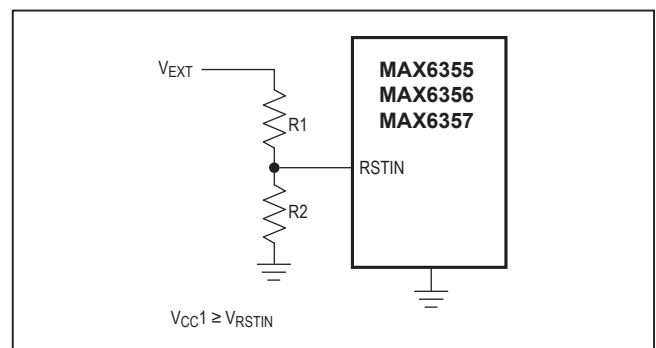


Figure 2. Monitoring a Third Voltage

During the normal operating mode, the supervisor issues a reset pulse for the reset timeout period (140ms min) if the  $\mu$ P does not update the WDI with a valid transition (high to low or low to high) within the standard timeout period (1.6s min).

After each reset event ( $V_{CC}$  power-up, manual reset, or watchdog reset), there is an initial watchdog startup timeout period of 25.6s. The startup mode provides an extended period for the system to power up and fully initialize all  $\mu$ P and system components before assuming responsibility for routine watchdog updates. The normal watchdog timeout period (1.6s min) begins at the conclusion of the startup timeout period or after the first transition on WDI before the conclusion of the startup period (Figure 3).

**Applications Information**

**Ensuring a Valid  $\overline{\text{RESET}}$  Output Down to  $V_{CC} = 0$**

In some systems, it is necessary to ensure a valid reset even if  $V_{CC}$  falls to 0. In these applications, use the circuit shown in Figure 4. Note that this configuration does not work for the open-drain outputs of the MAX6352/ MAX6355/MAX6358.

**Interfacing to  $\mu$ Ps with Bidirectional Reset Pins**

Microprocessors with bidirectional reset pins contend with the push-pull outputs of these devices. To prevent this, connect a 4.7k $\Omega$  resistor between  $\overline{\text{RESET}}$  and the  $\mu$ P's reset I/O port, as shown in Figure 5. Buffer  $\overline{\text{RESET}}$ , as shown in the figure, if this reset is used by other components in the system.

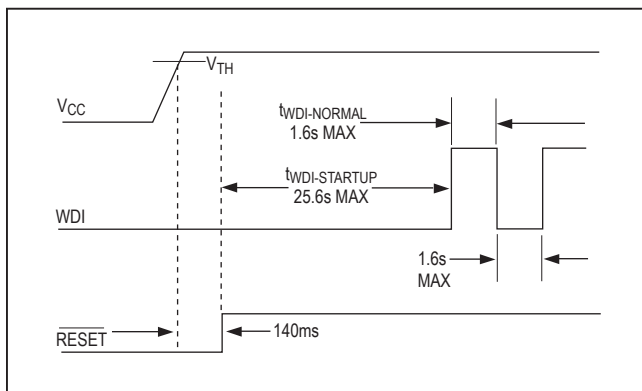


Figure 3. Normal Watchdog Startup Sequence

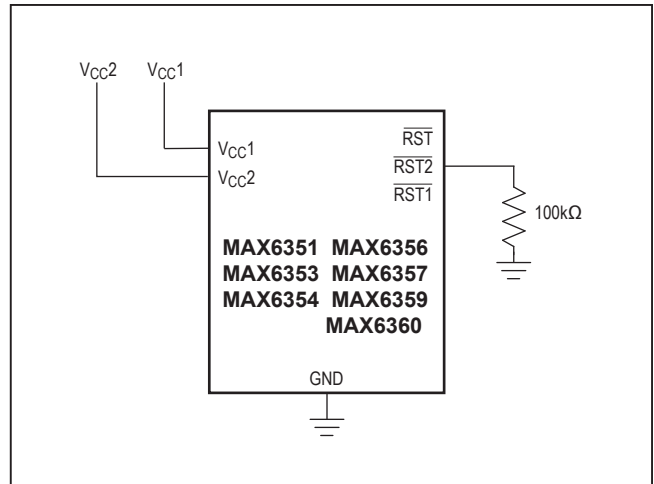


Figure 4. Ensuring a Valid Reset Low to  $V_{CC1}$  and  $V_{CC2} = 0$

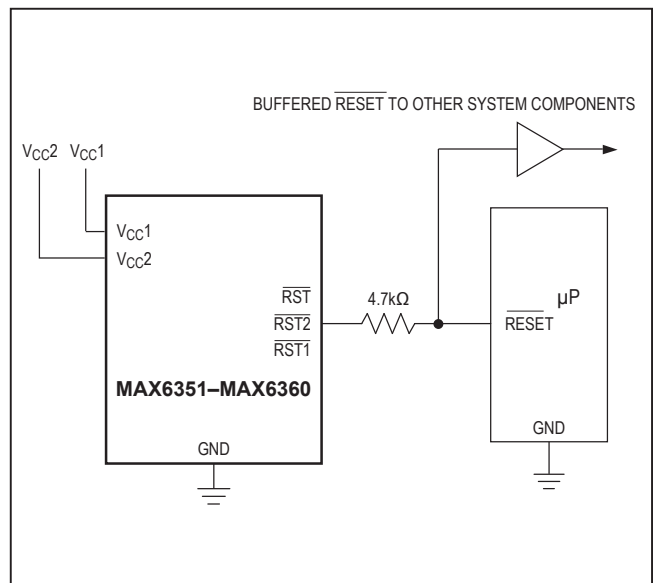
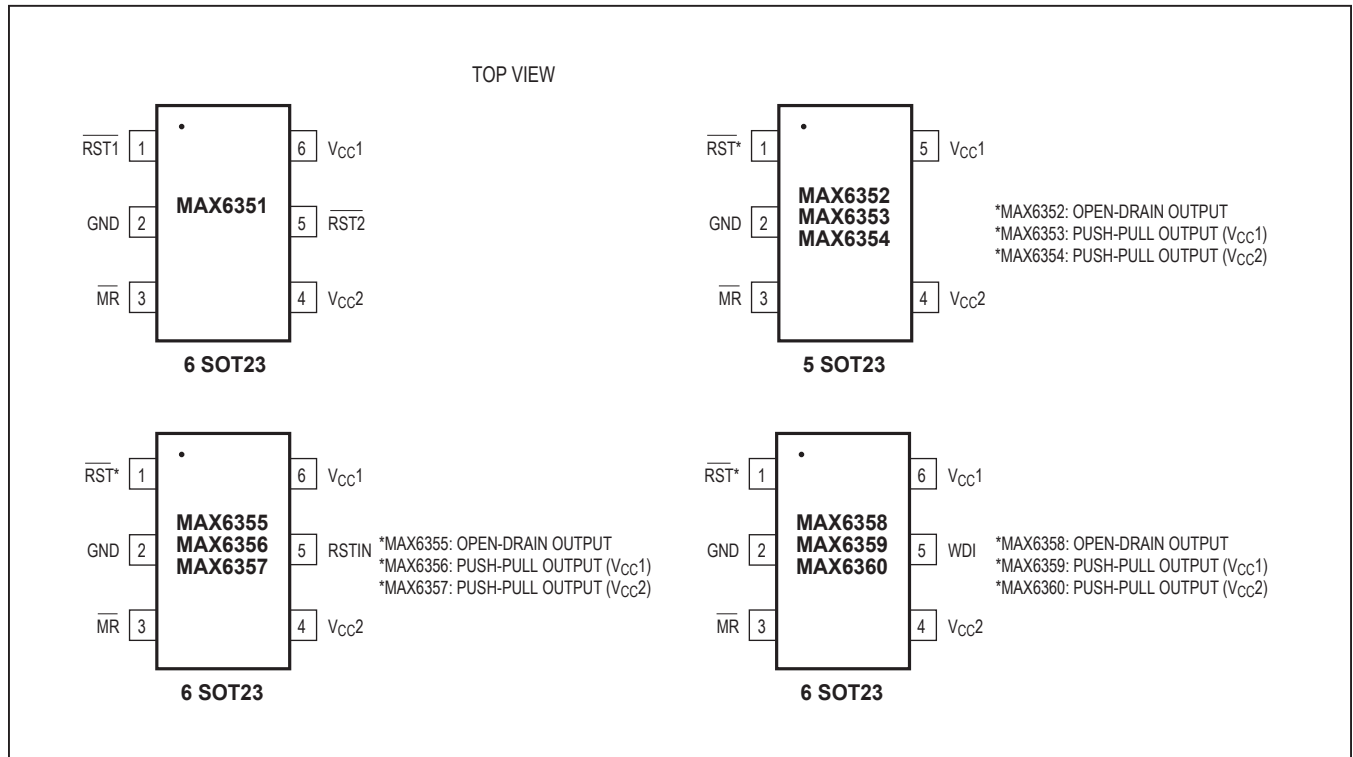


Figure 5. Interfacing to  $\mu$ Ps with Bidirectional Reset I/O



Pin Configurations



Selector Guide

PART	PIN COUNT	NUMBER OF SUPPLIES MONITORED	RST1	RST2	OPEN-DRAIN RESET	WATCHDOG TIMER	MANUAL RESET
MAX6351	6	2	✓	✓	—	—	✓
MAX6352	5	2	—	—	✓	—	✓
MAX6353	5	2	✓	—	—	—	✓
MAX6354	5	2	—	✓	—	—	✓
MAX6355	6	3	—	—	✓	—	✓
MAX6356	6	3	✓	—	—	—	✓
MAX6357	6	3	—	✓	—	—	✓
MAX6358	6	2	—	—	✓	✓	✓
MAX6359	6	2	✓	—	—	✓	✓
MAX6360	6	2	—	✓	—	✓	✓

### Chip Information

PROCESS: BICMOS

### Package Information

For the latest package outline information and land patterns (footprints), go to [www.maximintegrated.com/packages](http://www.maximintegrated.com/packages). Note that a "+", "#", or "-" in the package code indicates RoHS status only. Package drawings may show a different suffix character, but the drawing pertains to the package regardless of RoHS status.

PACKAGE TYPE	PACKAGE CODE	OUTLINE NO.	LAND PATTERN NO.
5 SOT23	U5-1	<a href="#">21-0057</a>	<a href="#">90-0174</a>
6 SOT23	U6-1	<a href="#">21-0058</a>	<a href="#">90-0175</a>

## Revision History

REVISION NUMBER	REVISION DATE	DESCRIPTION	PAGES CHANGED
7	5/14	Changed the minimum value for the WDI input voltage spec in the <i>Electrical Characteristics</i> table on page 3; rebranded data sheet	1–11

For pricing, delivery, and ordering information, please contact Maxim Direct at 1-888-629-4642, or visit Maxim Integrated's website at [www.maximintegrated.com](http://www.maximintegrated.com).

*Maxim Integrated cannot assume responsibility for use of any circuitry other than circuitry entirely embodied in a Maxim Integrated product. No circuit patent licenses are implied. Maxim Integrated reserves the right to change the circuitry and specifications without notice at any time. The parametric values (min and max limits) shown in the Electrical Characteristics table are guaranteed. Other parametric values quoted in this data sheet are provided for guidance.*



Компания «ЭлектроПласт» предлагает заключение долгосрочных отношений при поставках импортных электронных компонентов на взаимовыгодных условиях!

Наши преимущества:

- Оперативные поставки широкого спектра электронных компонентов отечественного и импортного производства напрямую от производителей и с крупнейших мировых складов;
- Поставка более 17-ти миллионов наименований электронных компонентов;
- Поставка сложных, дефицитных, либо снятых с производства позиций;
- Оперативные сроки поставки под заказ (от 5 рабочих дней);
- Экспресс доставка в любую точку России;
- Техническая поддержка проекта, помощь в подборе аналогов, поставка прототипов;
- Система менеджмента качества сертифицирована по Международному стандарту ISO 9001;
- Лицензия ФСБ на осуществление работ с использованием сведений, составляющих государственную тайну;
- Поставка специализированных компонентов (Xilinx, Altera, Analog Devices, Intersil, Interpoint, Microsemi, Aeroflex, Peregrine, Syfer, Eurofarad, Texas Instrument, Miteq, Cobham, E2V, MA-COM, Hittite, Mini-Circuits, General Dynamics и др.);

Помимо этого, одним из направлений компании «ЭлектроПласт» является направление «Источники питания». Мы предлагаем Вам помощь Конструкторского отдела:

- Подбор оптимального решения, техническое обоснование при выборе компонента;
- Подбор аналогов;
- Консультации по применению компонента;
- Поставка образцов и прототипов;
- Техническая поддержка проекта;
- Защита от снятия компонента с производства.



#### Как с нами связаться

**Телефон:** 8 (812) 309 58 32 (многоканальный)

**Факс:** 8 (812) 320-02-42

**Электронная почта:** [org@eplast1.ru](mailto:org@eplast1.ru)

**Адрес:** 198099, г. Санкт-Петербург, ул. Калинина, дом 2, корпус 4, литера А.